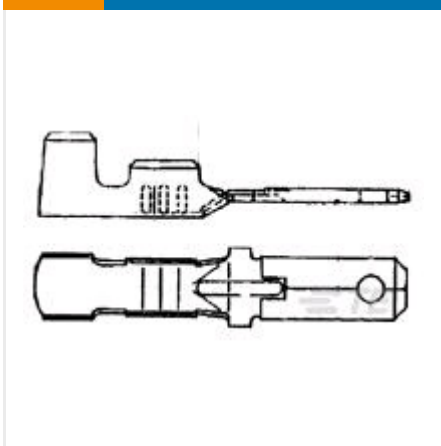




**+** CONNECTORS

POWER TERMINALS



✓ Active

TE CONNECTIVITY (TE)

## AMP-TAB L.P. TERMINAL

AMP-TAB | CAP , TERMINAL

66169-2

TE Internal Number: 66169-2

EU RoHS Compliant

EU ELV Compliant

**Product Type** Terminal

**Connector & Contact Terminates To** Wire & Cable

**Wire Size (AWG)** 22 – 18

**Wire Size (mm<sup>2</sup>)** .3 – .9

**Wire Insulation Diameter** 1.35 – 1.9 mm [ .053 – .074 in ]

[↓](#) **PRODUCT DRAWING**  
English

[↓](#) **3D PDF**

### DOCUMENTATION

Product Drawings

#### **Amp Tab Male Contact Wire Range 18-22**

PDF

**English**

CAD Files

**3D PDF**

PDF

**3D**

#### **Customer View Model**

2D\_DXF.ZIP

**English**

## Customer View Model

3D\_IGS.ZIP

English

## Customer View Model

3D\_STP.ZIP

English

---

Instruction Sheets

Instruction Sheet (U.S.)

## Extraction Tool For AMP-TAB Male Tab Terminal

PDF

English

## Extraction Tool For AMP-TAB Male Tab Terminal

TIF

English

## Extraction Tool For AMP-TAB Male (TAB) Terminals

TIF

English

## Extraction Tool For AMP-TAB Male (TAB) Terminals

PDF

English

## Hand Crimping Tools 90090-3 And 90174-2

PDF

English

## Hand Crimping Tools 90090-3 And 90174-2

TIF

English

## Insertion/Extraction Tool For AMP-TAB Contacts

TIF

English

## Insertion/Extraction Tool For AMP-TAB Contacts

PDF

English

---

## FEATURES



Please review product documents or [contact us](#) for the latest agency approval information.

Please Note: Use the Product Drawing for all design activity.

---

Product Type Features

**Product Type** Terminal

**Connector & Contact Terminates To** Wire & Cable

**Terminal Style** Tab

---

Contact Features

**Plating Material** Brass, Gold  
**Terminal Orientation** Straight

---

#### Termination Features

**Wire Size (AWG)** 22 – 18  
**Wire Size (mm<sup>2</sup>)** .3 – .9

---

#### Mechanical Attachment

**Wire Insulation Support** With

---

#### Dimensions

**Wire Insulation Diameter** 1.35 – 1.9 mm [ .053 – .074 in ]  
**Plating Thickness (µm)** 30  
**Mating Tab Width** 1.93 mm [ .076 in ]  
**Mating Tab Thickness** .41 mm [ .016 in ]

---

#### Packaging Features

**Packaging** Carton  
**Packaging Quantity** 5000

---

## PRODUCT COMPLIANCE



Statement of Compliance

**Statement of Compliance**  
PDF

---