

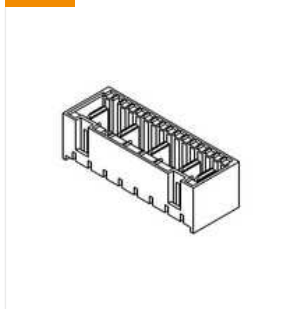


TE Connectivity: Every Connection Counts
© 2015 TE Connectivity Ltd. family of companies. All Rights Reserved

+ CONNECTORS



HEADERS & RECEPTACLES



TE CONNECTIVITY (TE)

7P, RAST 5 TAB HEADER, THV

RAST | RAST 5D

2232511-7

TE Internal Number: 2232511-7

Always EU RoHS/ELV Compliant

Centerline **5 mm [.197 in]**

Number of Positions **7**

PCB Mounting Orientation **Vertical**

Color **Natural**

✓ Active

↓ **PRODUCT DRAWING**
English

↓ **3D PDF**

Product Drawings

[RAST 5 TAB HEADER ASSY DIN STYLE, TH, VERTICAL](#)

PDF
English

CAD Files

[3D PDF](#)

PDF
3D

[Customer View Model](#)

2D_DXF.ZIP
English

[Customer View Model](#)

3D_IGS.ZIP
English

[Customer View Model](#)

3D_STP.ZIP
English

Please review product documents or [contact us](#) for the latest agency approval information. Please Note: Use the Product Drawing for all design activity.

Product Type Features

PCB Mounting Orientation

Vertical

Product Type

Connector

Connector Type	Header
Applies To	Printed Circuit Board

Configuration Features	Number of Positions	7
	Preloaded	Yes
	Position Keyed	3D, 7D

Body Features	Color	Natural
	Plating Material	Tin
	Material	Nylon

Contact Features	Contact Type	Tab
------------------	--------------	------------

Mechanical Attachment	Mating Area Interface Dimensions	.248 x .031 in, 6.3 x .8 mm
-----------------------	----------------------------------	------------------------------------

Housing Features	Centerline	5mm [.197 in]
------------------	------------	----------------------

Product Compliance	Statement of Compliance PDF
	VIEW ALL PRODUCT COMPLIANCE