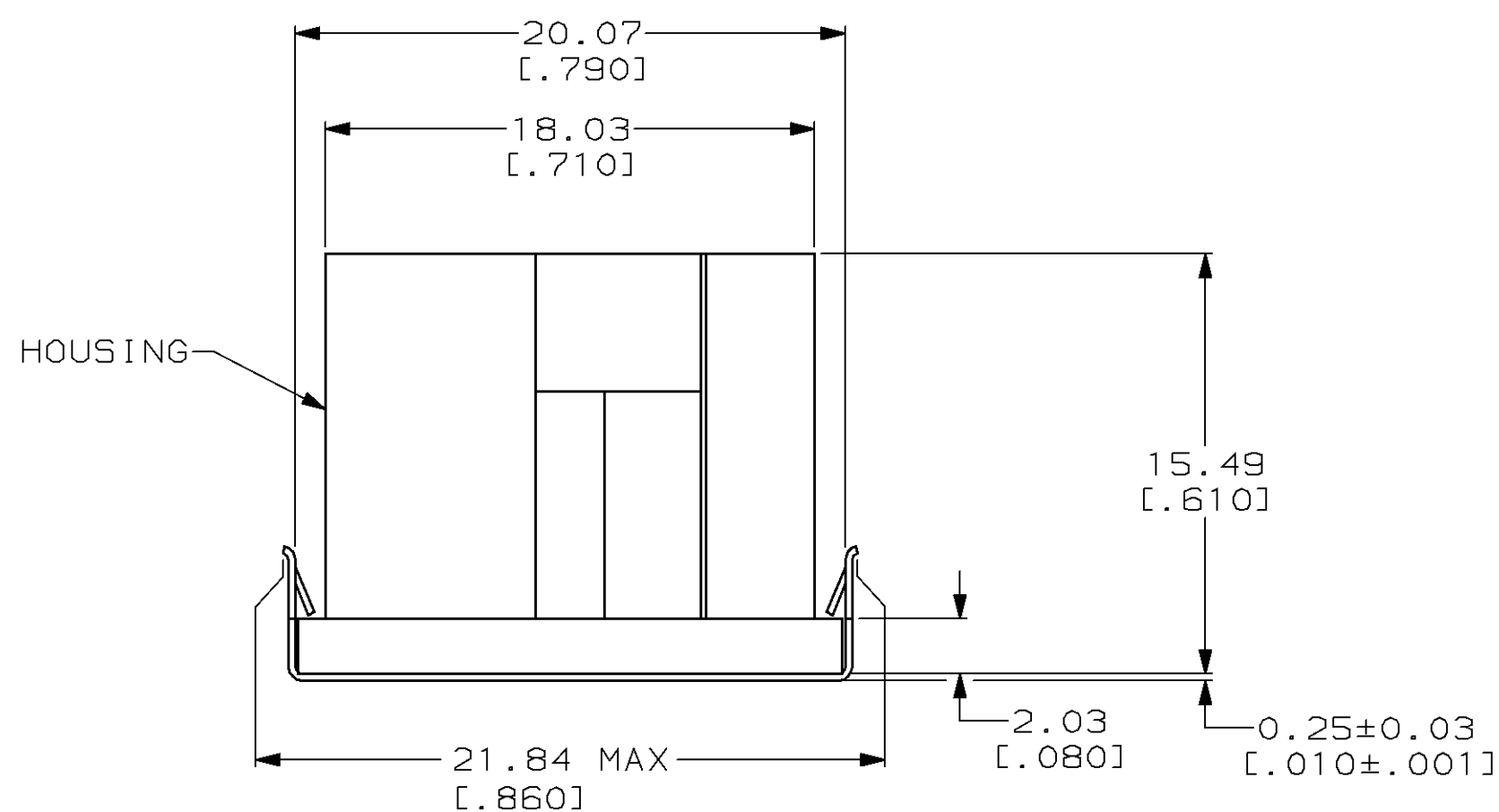
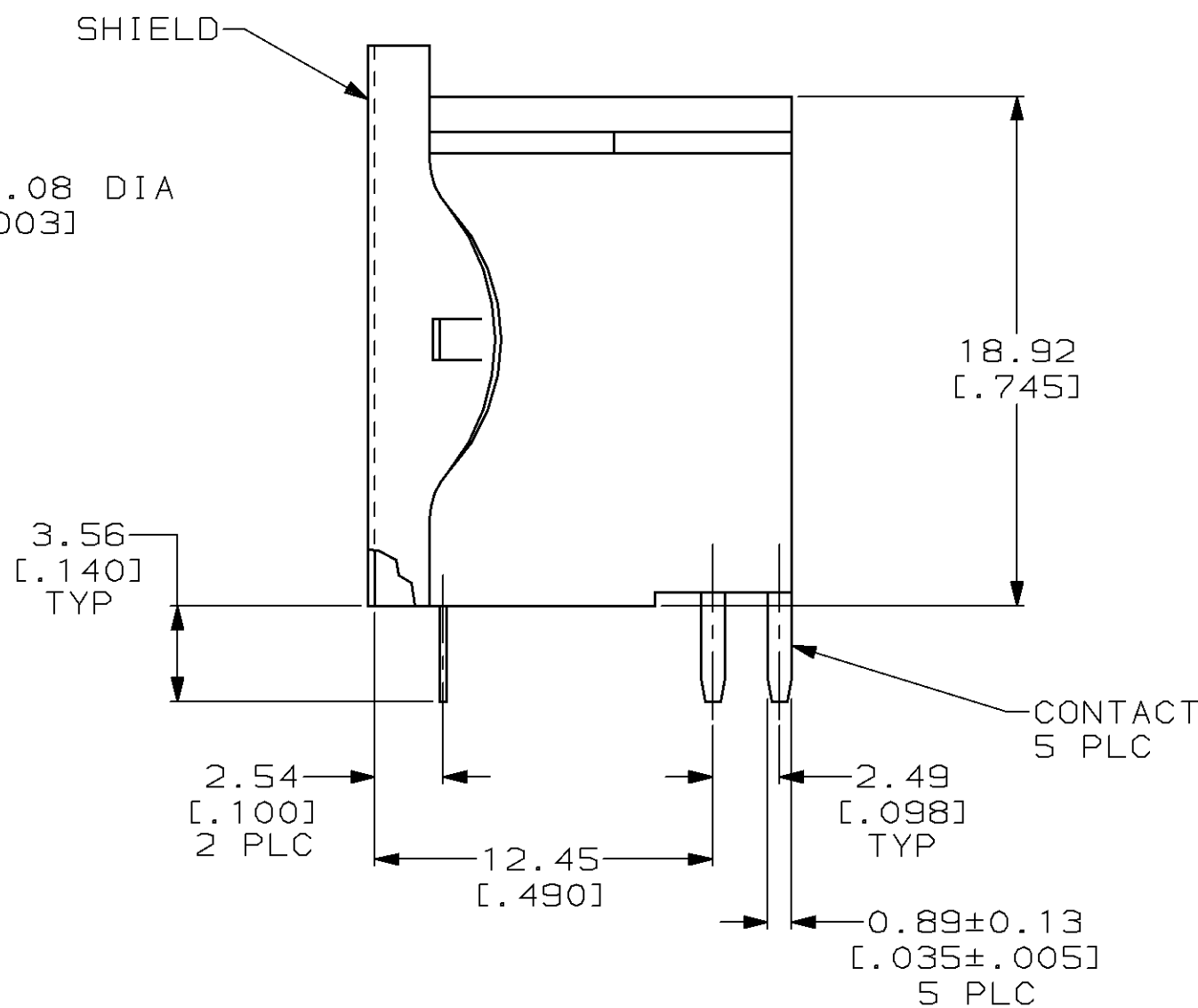
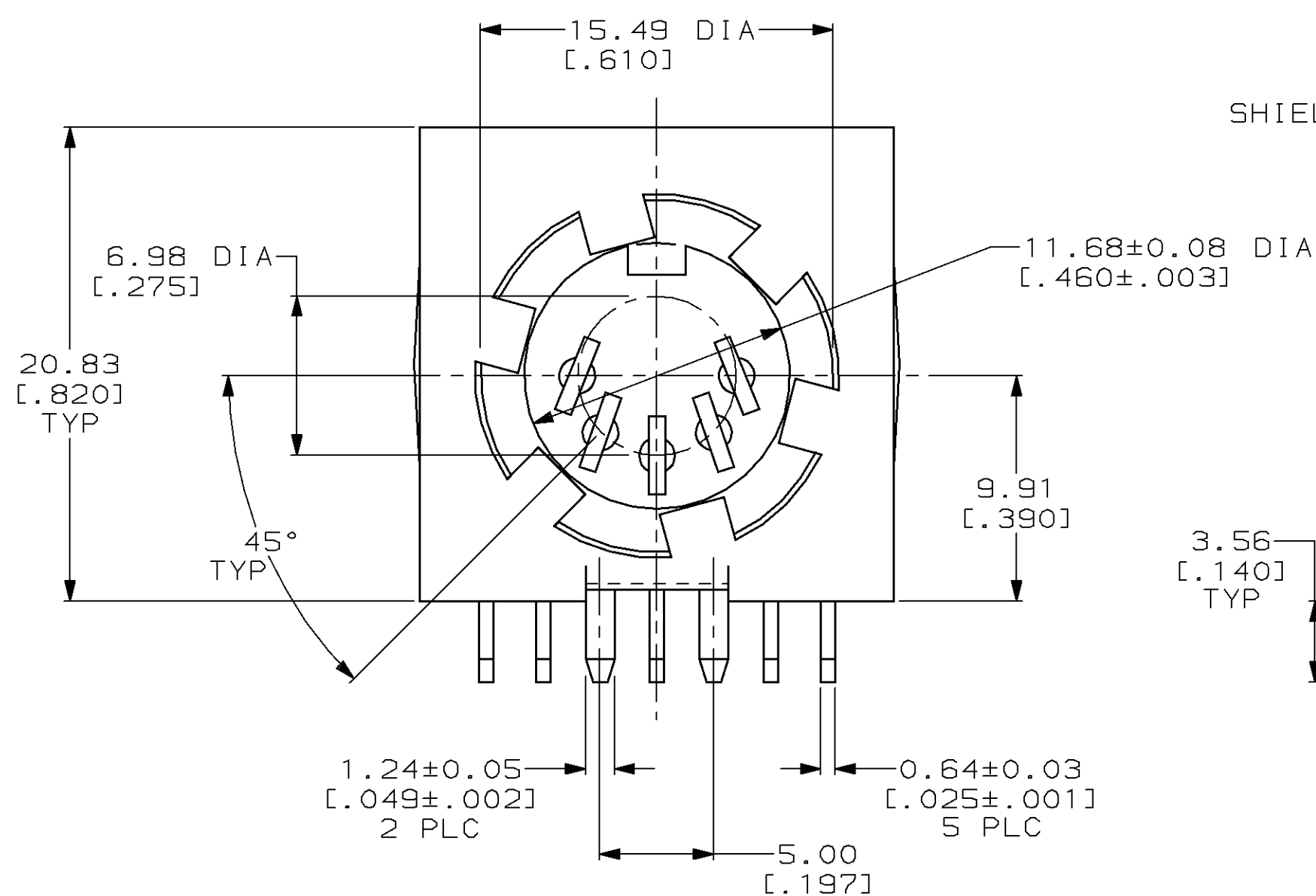


THIS DRAWING IS UNPUBLISHED. RELEASED FOR PUBLICATION ,19 .
 © COPYRIGHT 19 BY AMP INCORPORATED. ALL INTERNATIONAL RIGHTS RESERVED.

MOD	LOC	DIST	P	F	ZONE	LTR	DESCRIPTION	DATE	APPD
1	BD	20				E	REDRAWN & ADDED -2 PER NPR 3635	07/29/91	-
						F	REV PER EC0020-1394-93	12/21/93	SK
						G	OBS -2 PER EC 0020-1416-94	11/25/94	AT



- 1 NYLON, UL 94V-0 RATED, BLACK.
- 2 BRASS PER ASTM B 36.
- 3 2.54µm [.000100] MIN TIN OVER 1.27µm [.000050] MIN NICKEL.



OBSOLETE	TUBE	212044-2
	GANG OF TUBES	212044-1
	PACKAGING TYPE	PART NO

DO NOT SCALE PRINT. UNLESS SPECIFIED DIMENSIONS IN mm [INCHES] TOLERANCES ON : 2 PLC DEC ± 0.25 [.010] 3 PLC DEC ± - ANGLES ± 2°	DR 07/29/91 L.SIPE	AMP Incorporated Harrisburg, PA 17105-3608
	CHK 07/31/91 W. LENKER	
MATERIAL HOUSING: 1	APPD 08/06/91 R. WHYNE	NAME RECEPTACLE ASSEMBLY, 90° PCB, 5 POSITION, W/SHIELDING, CIRCULAR DIN
SHIELD & CONTACTS: 2	APPD 08/08/91 J. FULPONI	
FINISH SHIELD & CONTACTS: 3	PRODUCT SPEC 108-10047	SIZE C 00779
	APPLICATION SPEC 114-40025	DRAWING NO 212044
	WEIGHT -	SCALE 4:1
		SHEET 1 OF 1