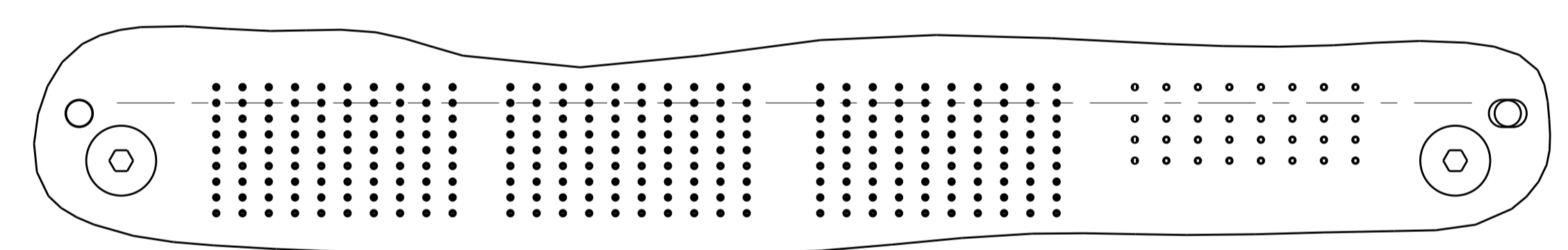
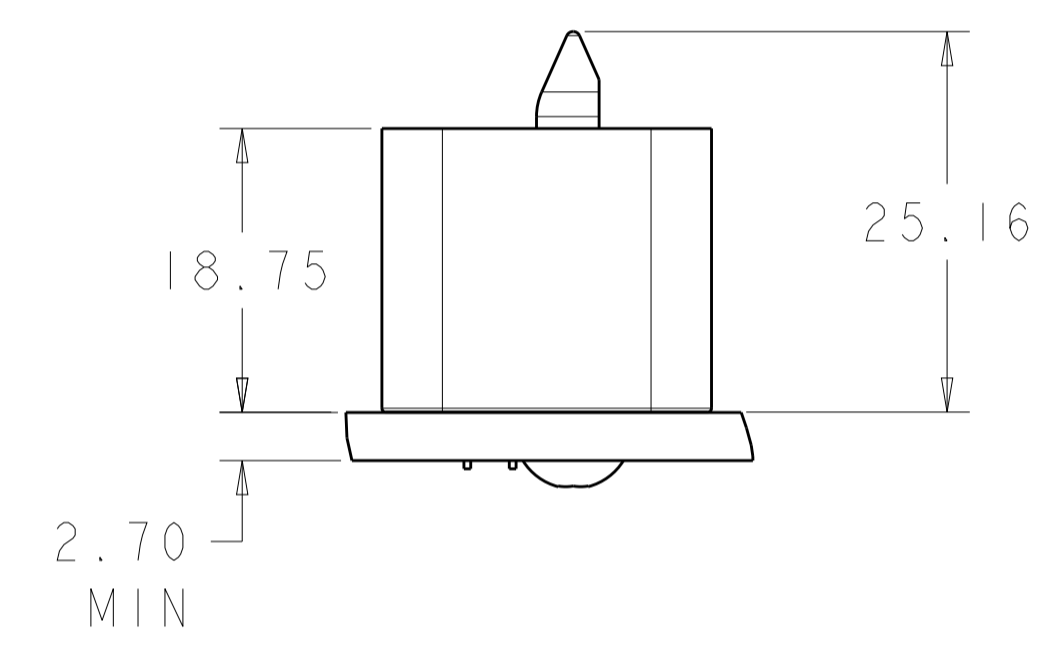
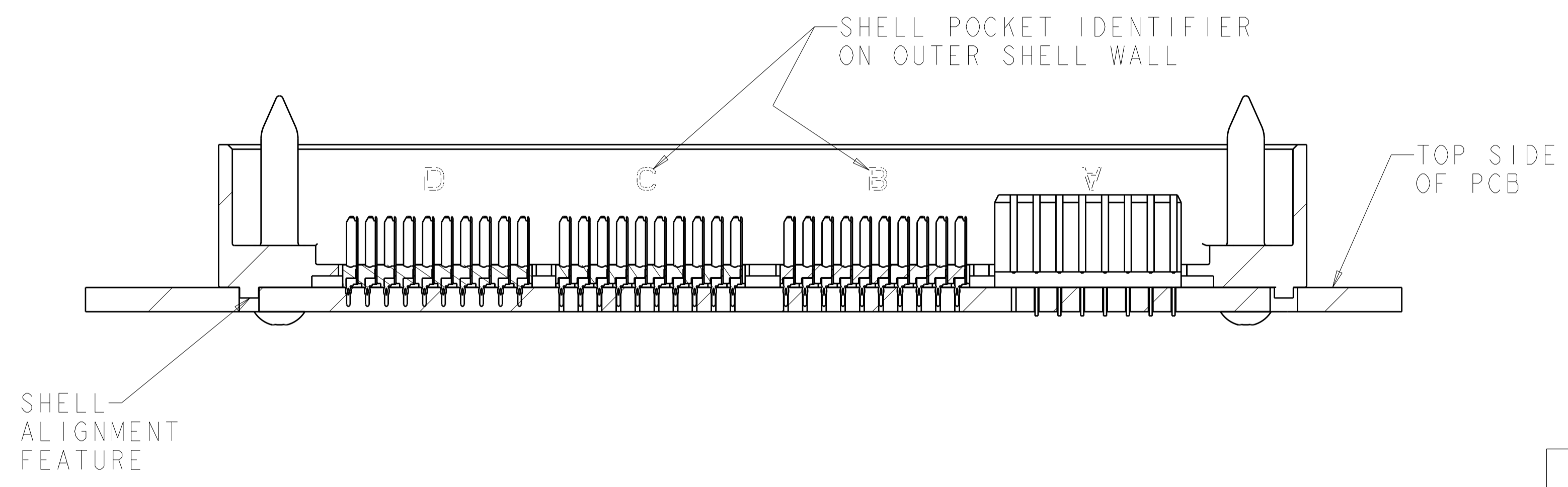
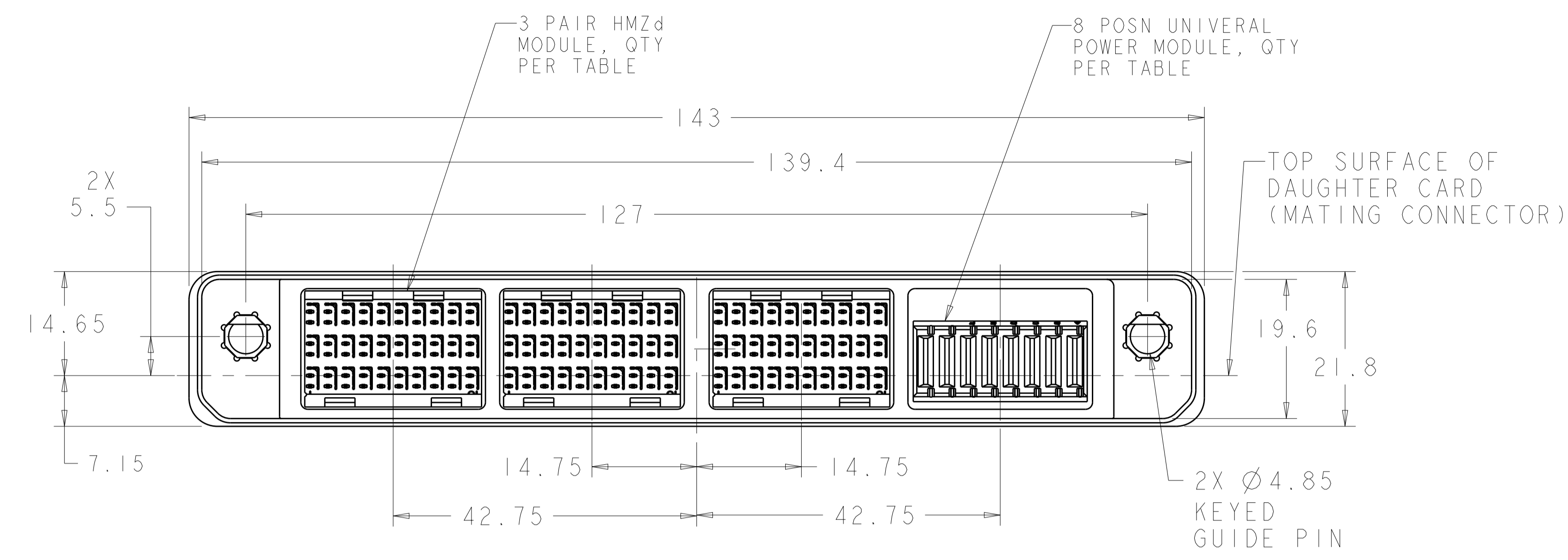


LOC	DIST	REVISIONS			
		REV	DATE	BY	APPV
		F	5-22-14	CT	DH
		G	01JUL2015	DLB	DH



	△2	TIN-LEAD	1	-	1	2	1-2000668-0
	△2	-	-	-	-	-	2000668-9
	△3	TIN-LEAD	-	-	1	3	2000668-8
	--	TIN	-	-	-	4	2000668-7
	△2	-	-	-	-	-	2000668-6
OBSOLETE	△2	TIN-LEAD	1	-	1	2	2000668-5
OBSOLETE	△2	--	-	-	-	-	2000668-4
OBSOLETE	--	TIN-LEAD	-	-	1	3	2000668-3
OBSOLETE	--	TIN	-	-	-	4	2000668-2
OBSOLETE	△2	--	-	-	-	-	2000668-1
REMARKS	TAIL PLATING		4 MT FIBER OPTIC MODULE	COAX	8 POSN UPM MODULE	3 PAIR HMZd MODULE	PART NUMBER
MODULE QTY PER ASSY							

1. MATING CONNECTOR FOR THIS CONNECTOR IS 2000667.

△2 PRELIMINARY- NOT RELEASED FOR PRODUCTION.

△3 SEE FIGURE A.

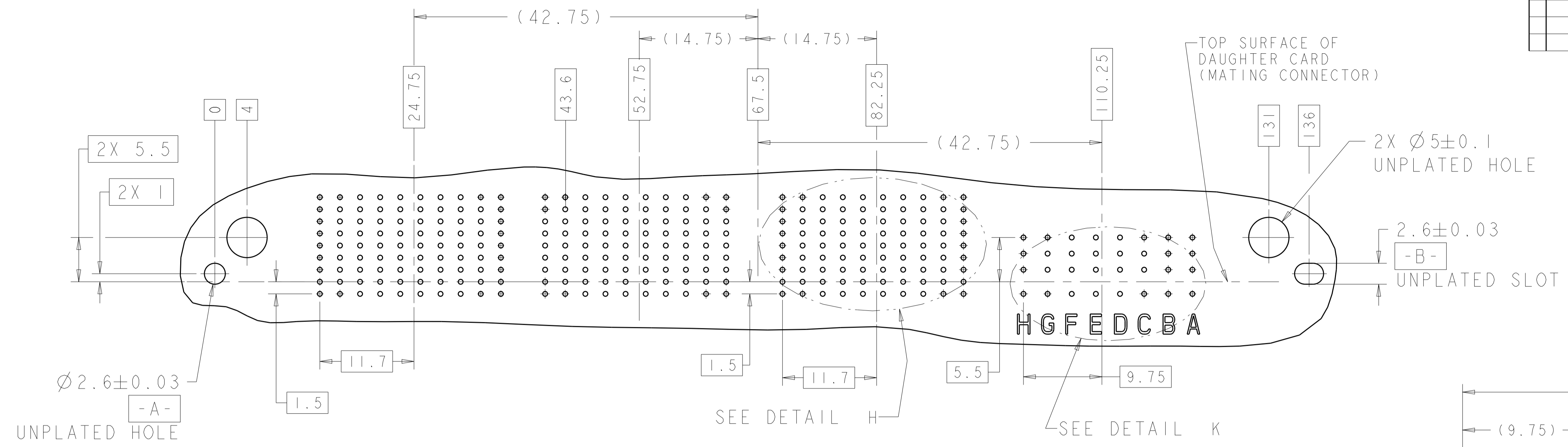
THIS DRAWING IS A CONTROLLED DOCUMENT. DWG: Brent D. Tohn 11DEC2009  
 CHK: HUNG T. NGUYEN 11DEC2009  
 APVD: CHONG YI 11DEC2009

**STE** TE Connectivity

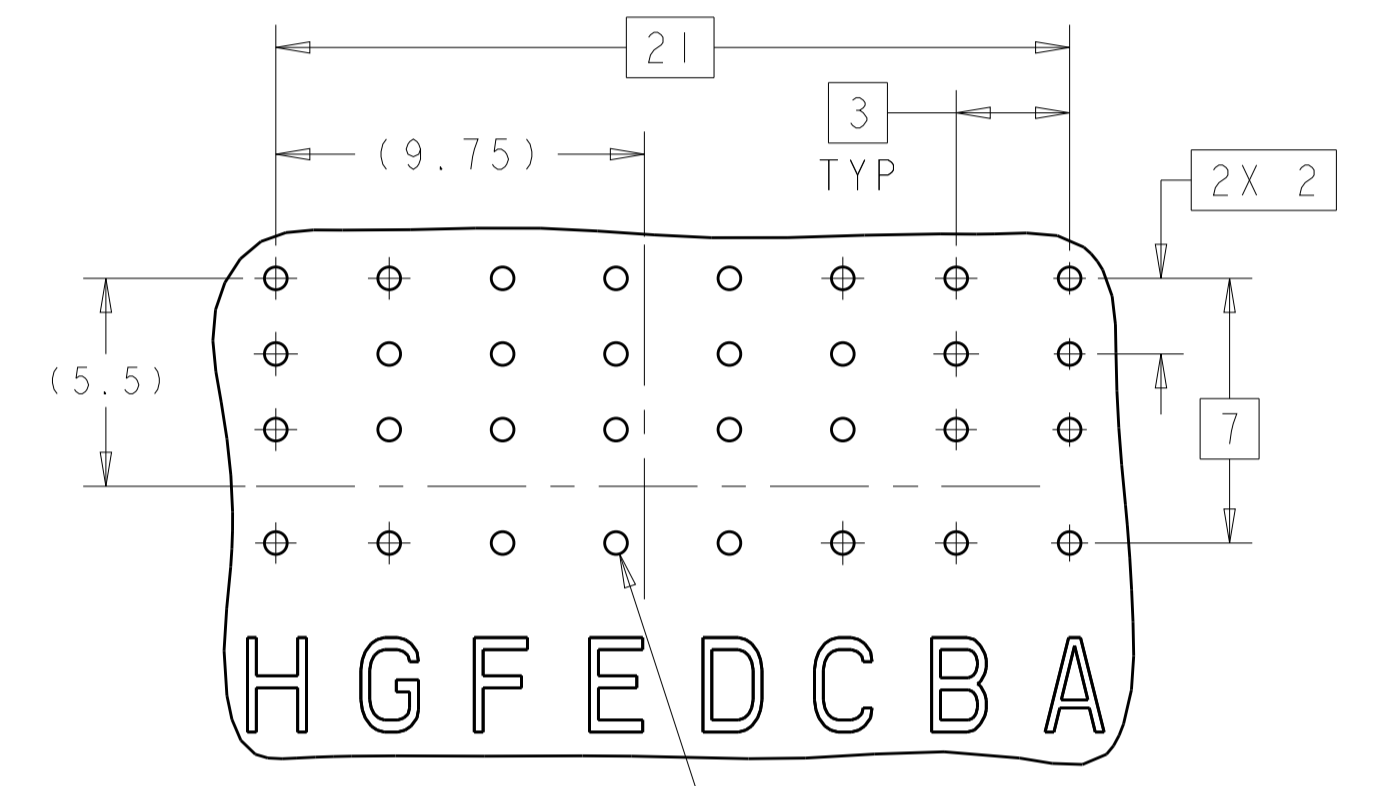
NAME: MOTHER BOARD CONNECTOR, HIGH SPEED RUGGEDIZED (HSR), 4 BAY, UNSEALED, VERTICAL

PRODUCT SPEC: -  
 APPLICATION SPEC: -  
 SIZE: A1 CAGE CODE: 00779 DRAWING NO: 2000668 RESTRICTED TO: -  
 MATERIAL: - FINISH: - WEIGHT: - SCALE: 2:1 SHEET 1 OF 2 REV G

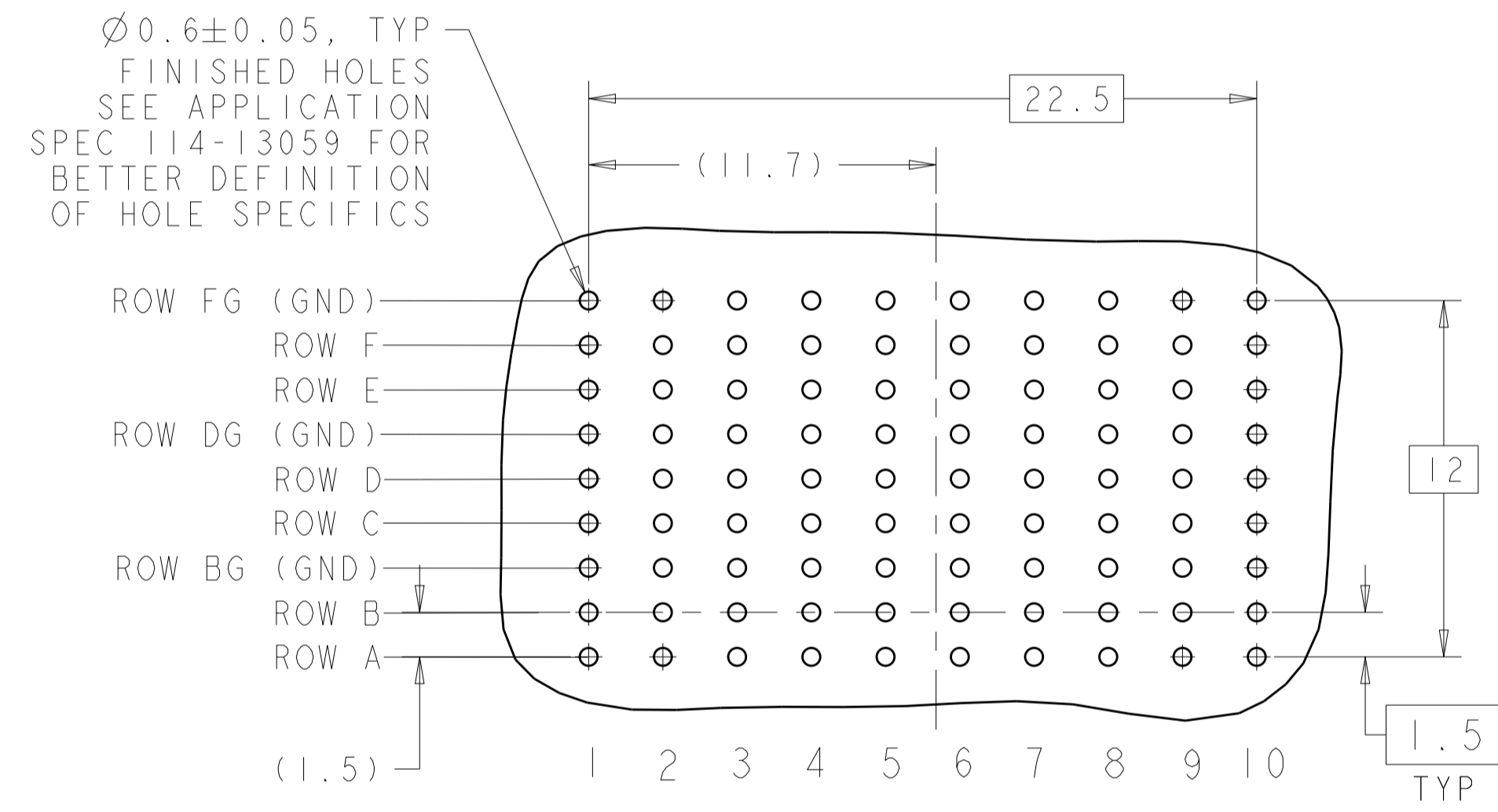
LOC		DIST		REVISIONS			
P	LTN	DESCRIPTION	DATE	DMN	APVD		
-	-	SEE SHEET 1	-	-	-	-	-



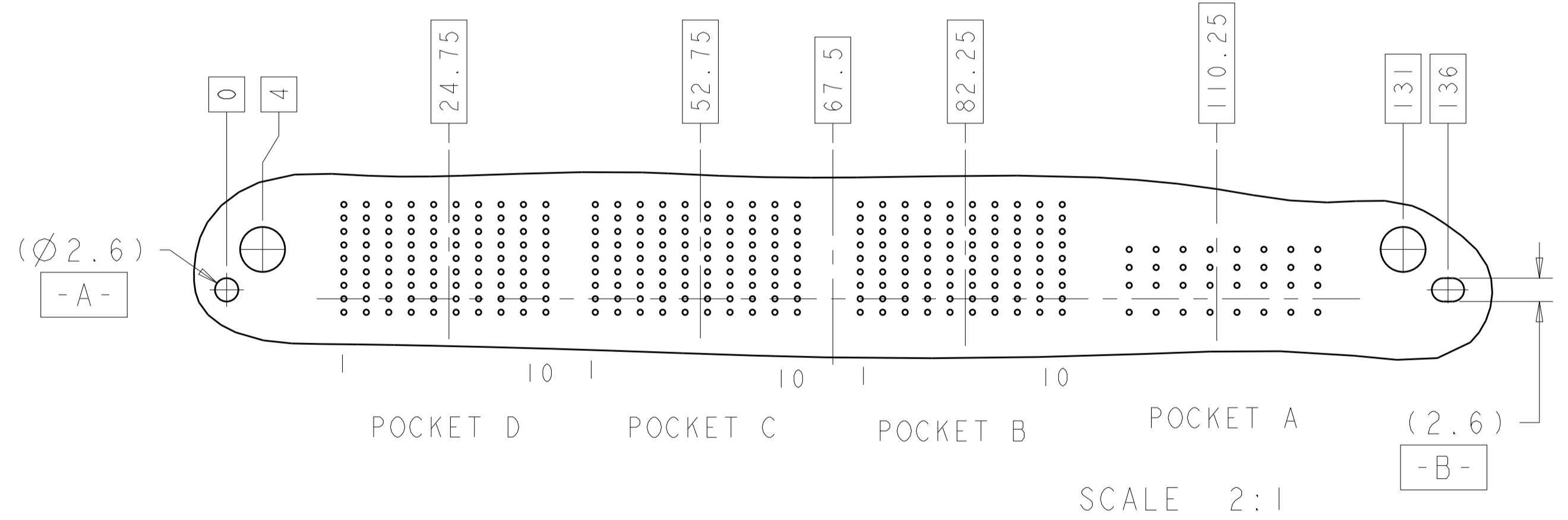
RECOMMENDED PC BOARD HOLE LAYOUT  
AS VIEWED FROM TOP OF PC BOARD  
2000668-8 SHOWN



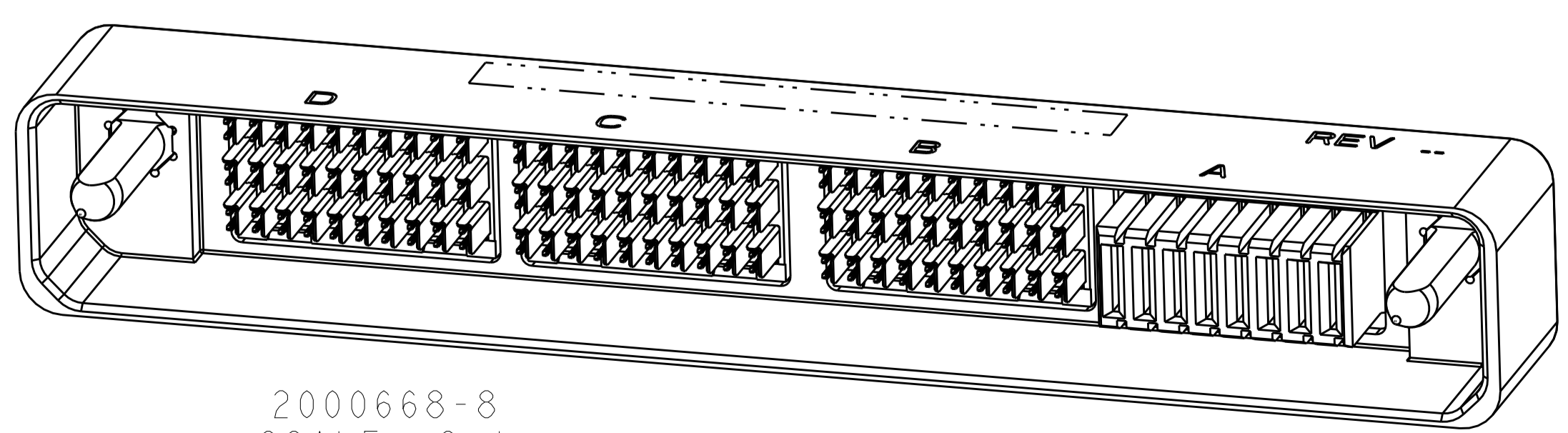
DETAIL K  
SCALE 5:1  
8 POSITION  
UNIVERSAL  
POWER MODULE  
Ø0.6±0.05, TYP  
FINISHED HOLES  
SEE APPLICATION  
SPEC 114-1103 FOR  
BETTER DEFINITION  
OF HOLE SPECIFICS



DETAIL H  
SCALE 5:1  
3 PAIR HMZd  
TYP 3X



RECOMMENDED PC BOARD HOLE LAYOUT  
AS VIEWED FROM TOP OF PCB  
2000668-8 SHOWN (3 HM-Zd MODULES  
AND 1 UPM MODULE)



2000668-8  
SCALE 2:1

THIS DRAWING IS A CONTROLLED DOCUMENT.		DMN Brent D. Tohn 11DEC2009	TE Connectivity	
DIMENSIONS:		CHK HUNG T. NGUYEN 11DEC2009	NAME	
mm	TOLERANCES UNLESS OTHERWISE SPECIFIED:	APVD CHONG YI 11DEC2009	MOTHER BOARD CONNECTOR, HIGH SPEED RUGGEDIZED (HSR), 4 BAY, UNSEALED, VERTICAL	
	0 PLC ±	PRODUCT SPEC	SIZE	
	1 PLC ±	APPLICATION SPEC	CAGE CODE	
	2 PLC ±		DRAWING NO	
	3 PLC ±		RESTRICTED TO	
	4 PLC ±		A100779C=2000668	
	ANGLES ±	WEIGHT	SCALE 3:1 SHEET 2 OF 2 REV G	
MATERIAL	FINISH	CUSTOMER DRAWING		