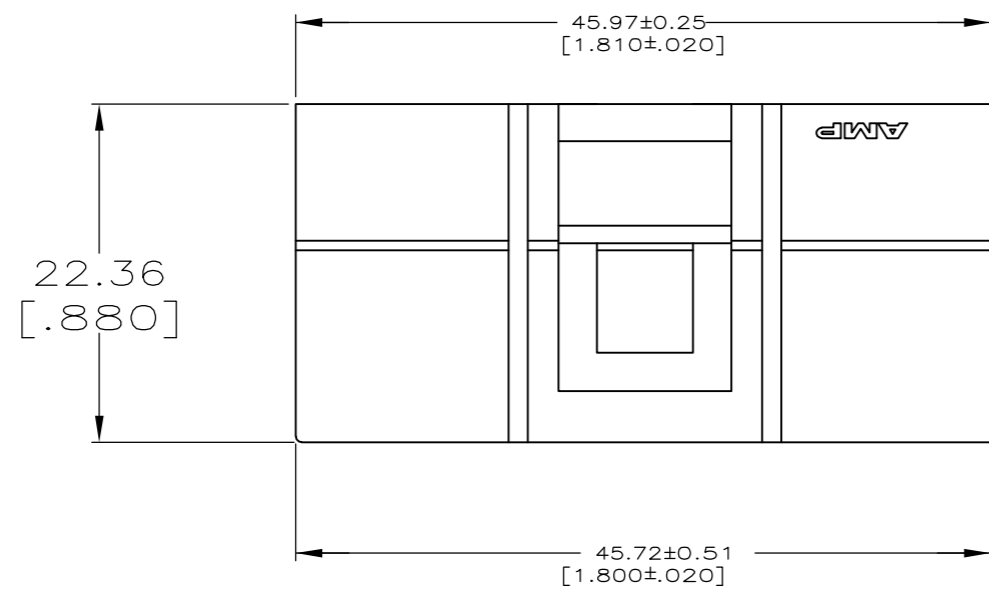
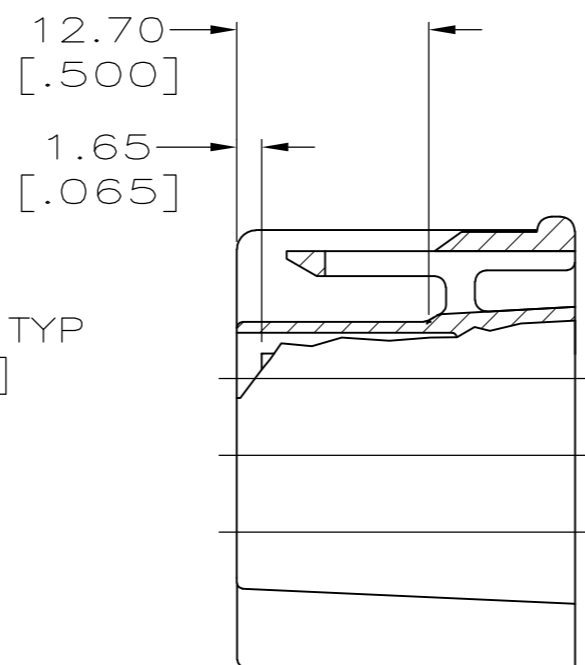
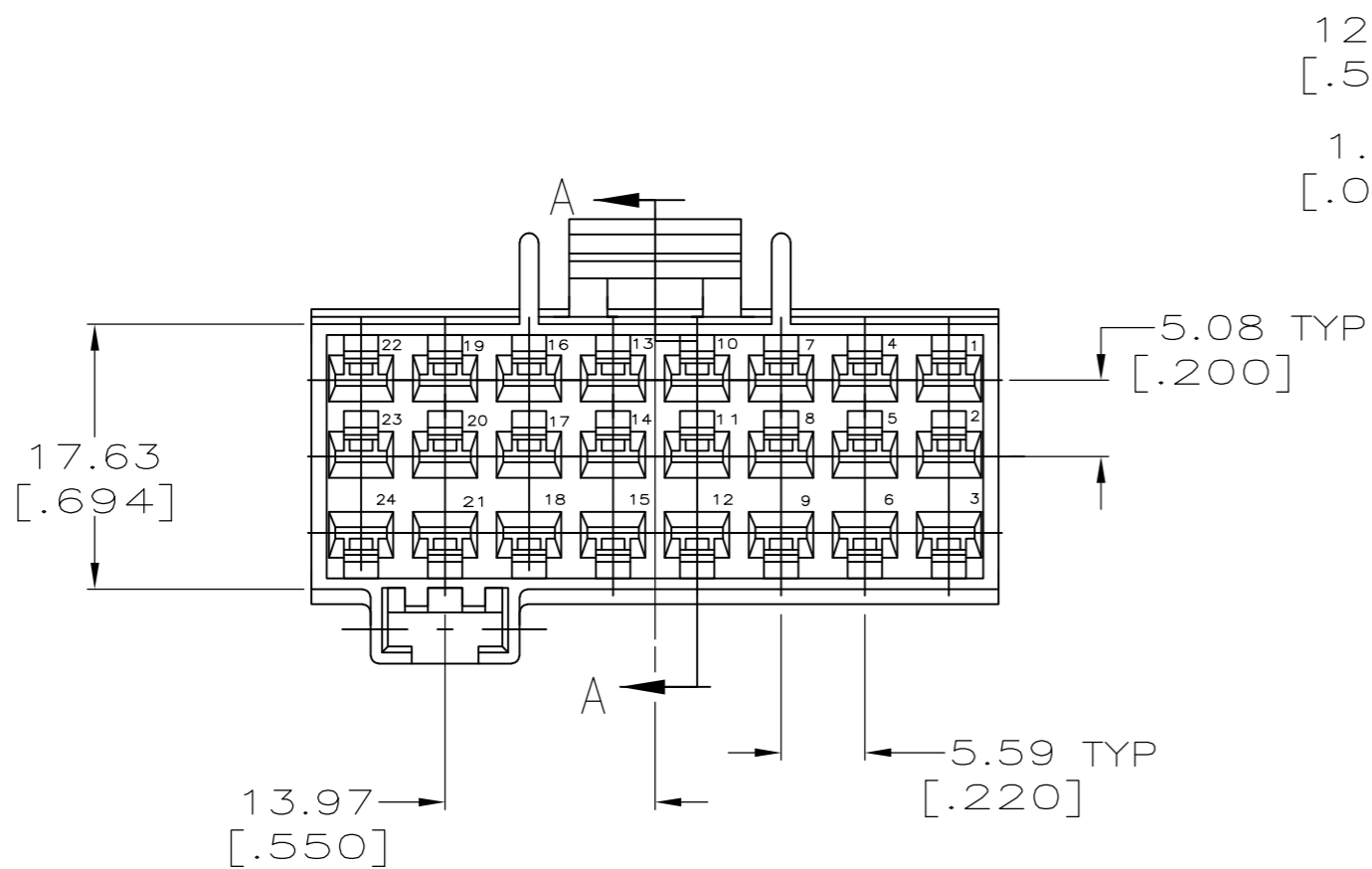


THIS DRAWING IS UNPUBLISHED. RELEASED FOR PUBLICATION
 © COPYRIGHT BY TYCO ELECTRONICS CORPORATION. ALL RIGHTS RESERVED.

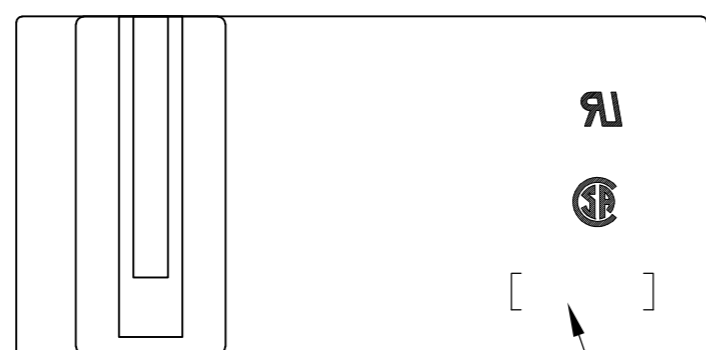
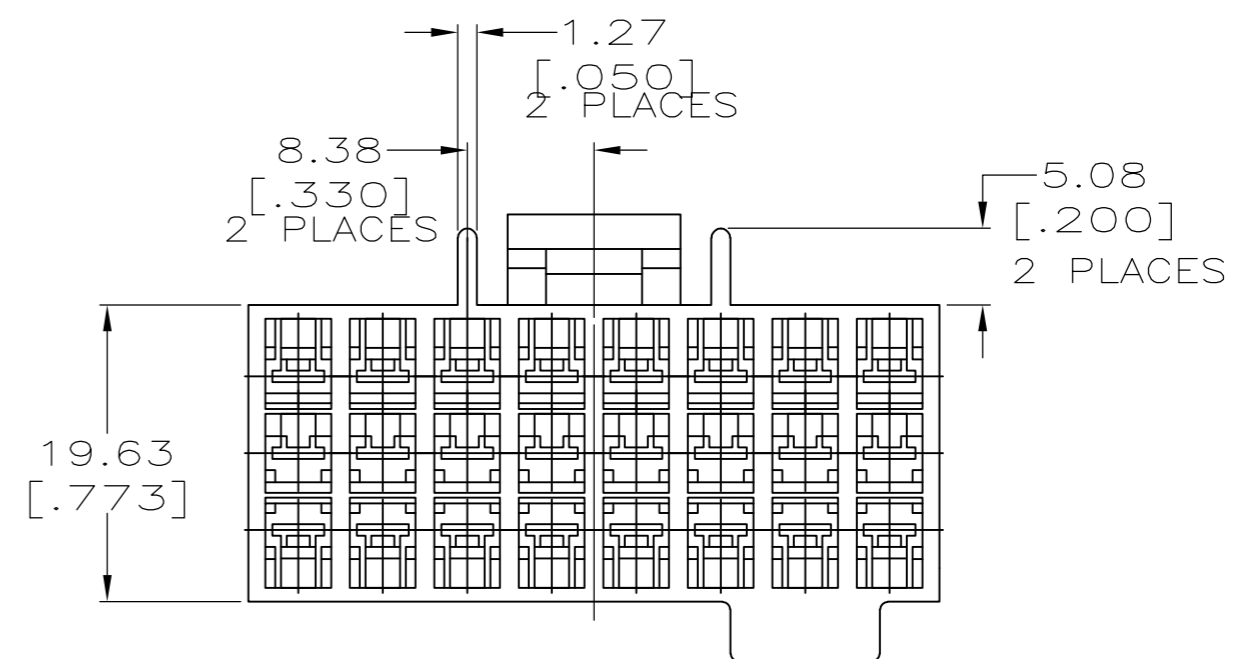
LOC	DIST	REVISIONS			
P	LTR	DESCRIPTION	DATE	DWN	APVD
AF	50	E	REV PER ECR 09-011015	13AUG09	JR MS



1 HOUSING ACCOMODATES (24) .125 BLADE RECEPTACLES
 AMP P/N 770642-1



SECTION A-A



DFE SYMBOL
 SEE TABLE

>PA<	BLACK	NYLON 66/6 UL94 V0	521135-2
>PA<	BLACK	NYLON 6/6 UL94 V2	521135-1
DFE SYMBOL	FINISH/COLOR	MATERIAL	PART NUMBER

THIS DRAWING IS A CONTROLLED DOCUMENT.		DWN	18/APR/97	 Tyco Electronics Corporation Harrisburg, PA 17105-3608
DIMENSIONS: MM [INCHES]		CHK	18/APR/97	
TOLERANCES UNLESS OTHERWISE SPECIFIED:		APVD	18APR97	
0 PLC ± - 1 PLC ± - 2 PLC ± 0.25 [.010] 3 PLC ± - 4 PLC ± - ANGLES ± -		NAME	M BARNABA	
MATERIAL SEE TABLE		FINISH SEE TABLE		PRODUCT SPEC APPLICATION SPEC WEIGHT - CUSTOMER DRAWING
		SCALE 2:1		HOUSING, 24 POSITION, SIDE LATCHED, TIMER CONNECTOR SIZE CAGE CODE DRAWING NO RESTRICTED TO A200779 C-521135 SHEET 1 of 1 REV E

OBSCLETE
NOT THE LATEST
REVISION