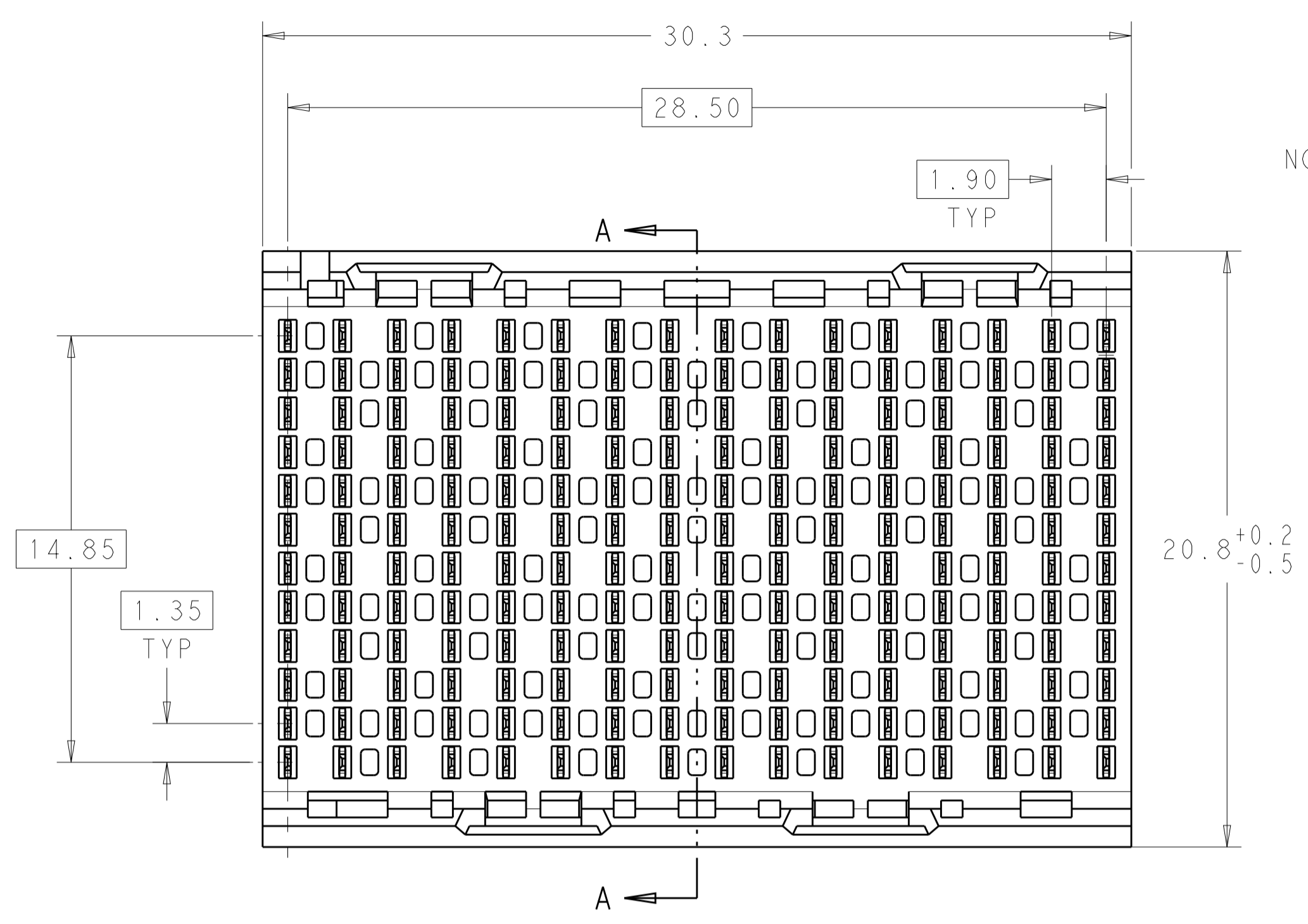
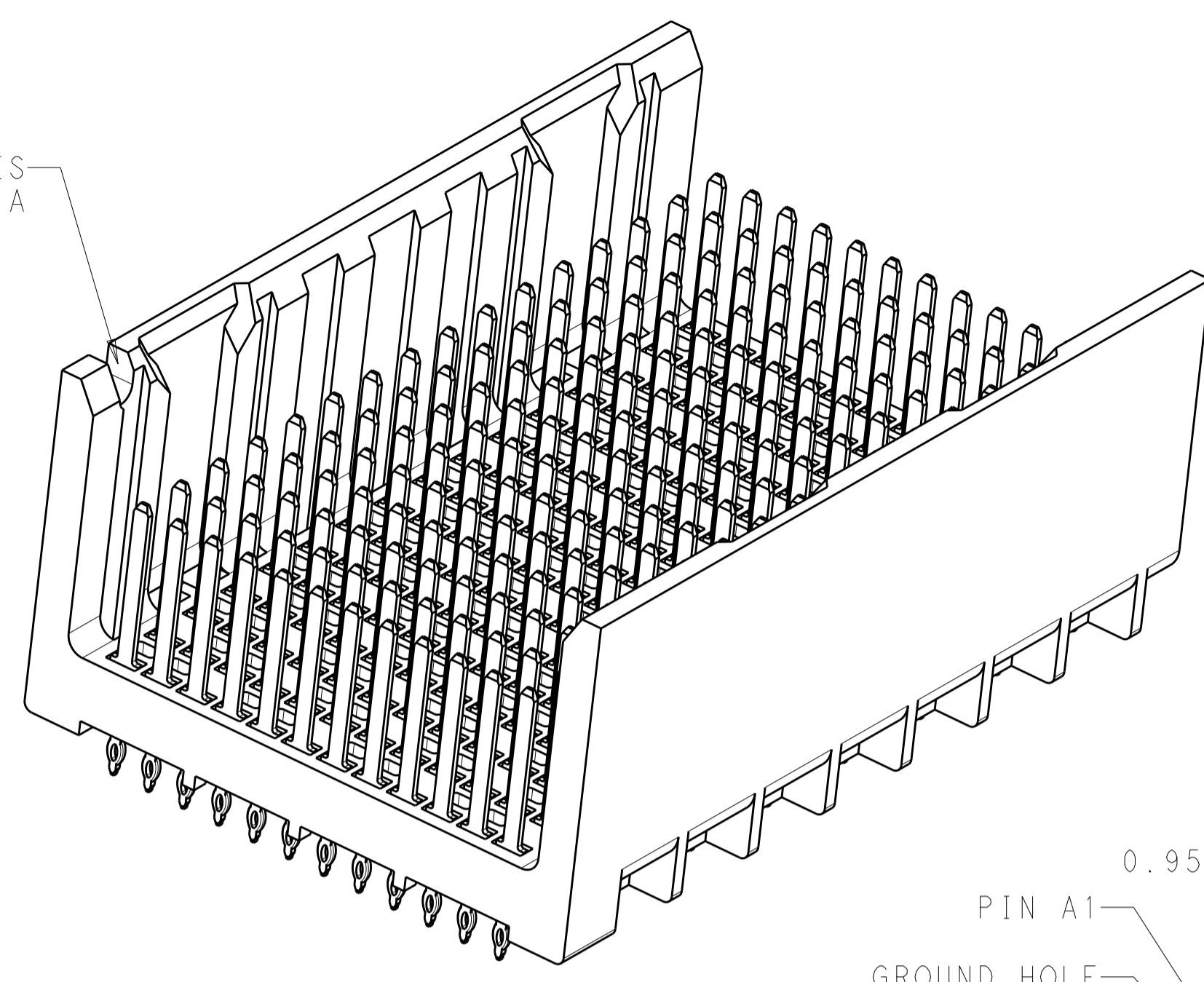


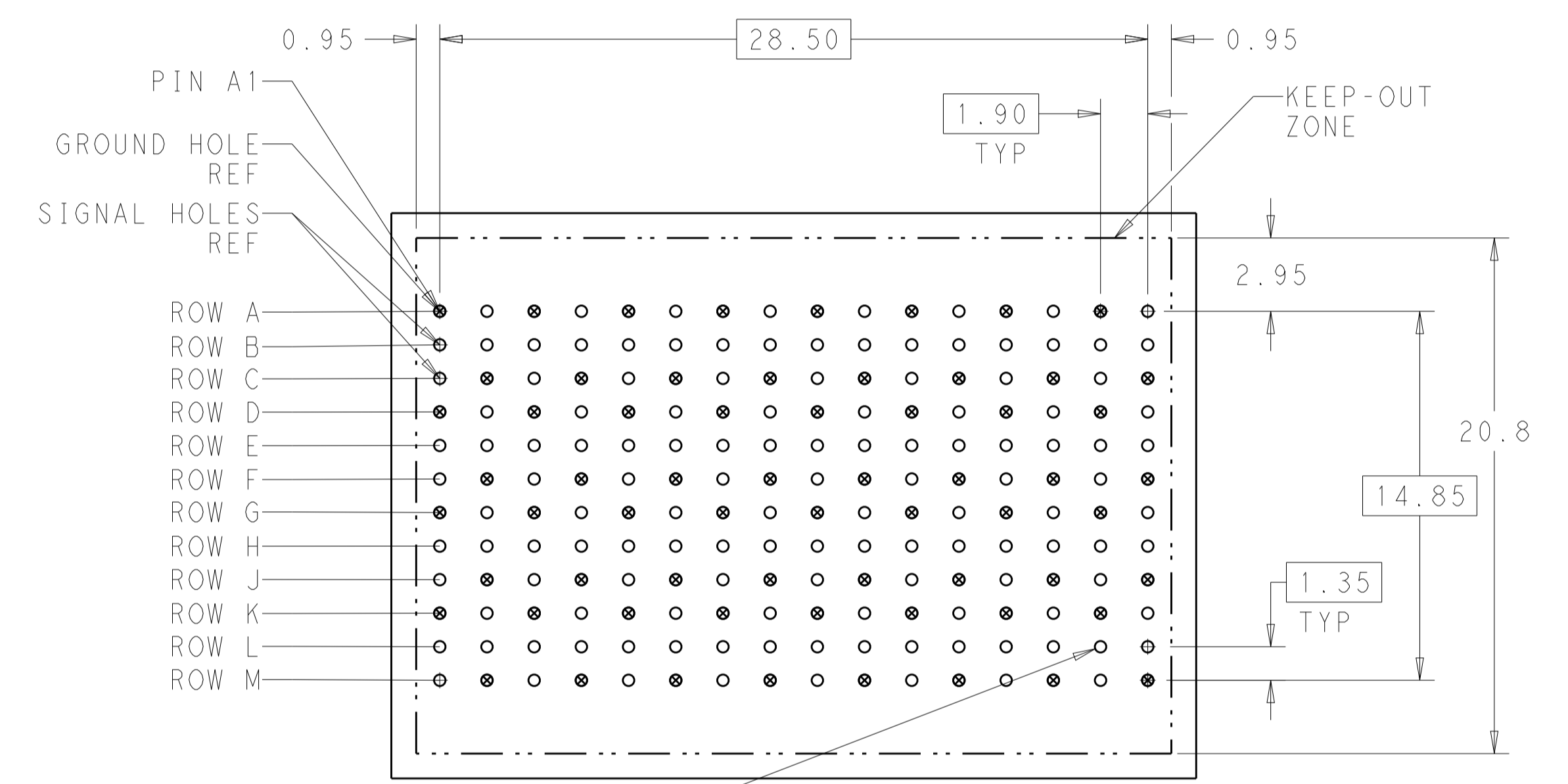
LOC		DIST		REVISIONS			
AD	00	P	LTN	DESCRIPTION	DATE	DWN	APVD
		2		DRAWING CREATED BY AUTOMATION PROGRAM	09JAN2013	KH	DD



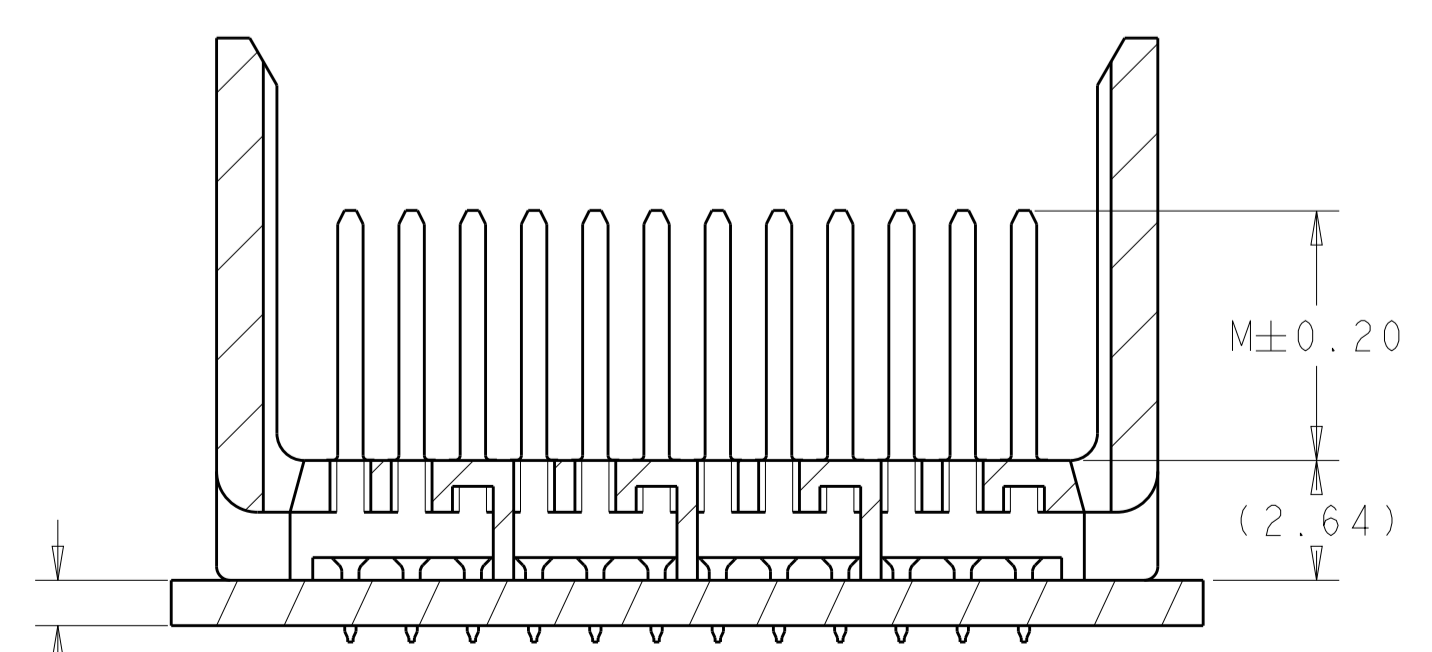
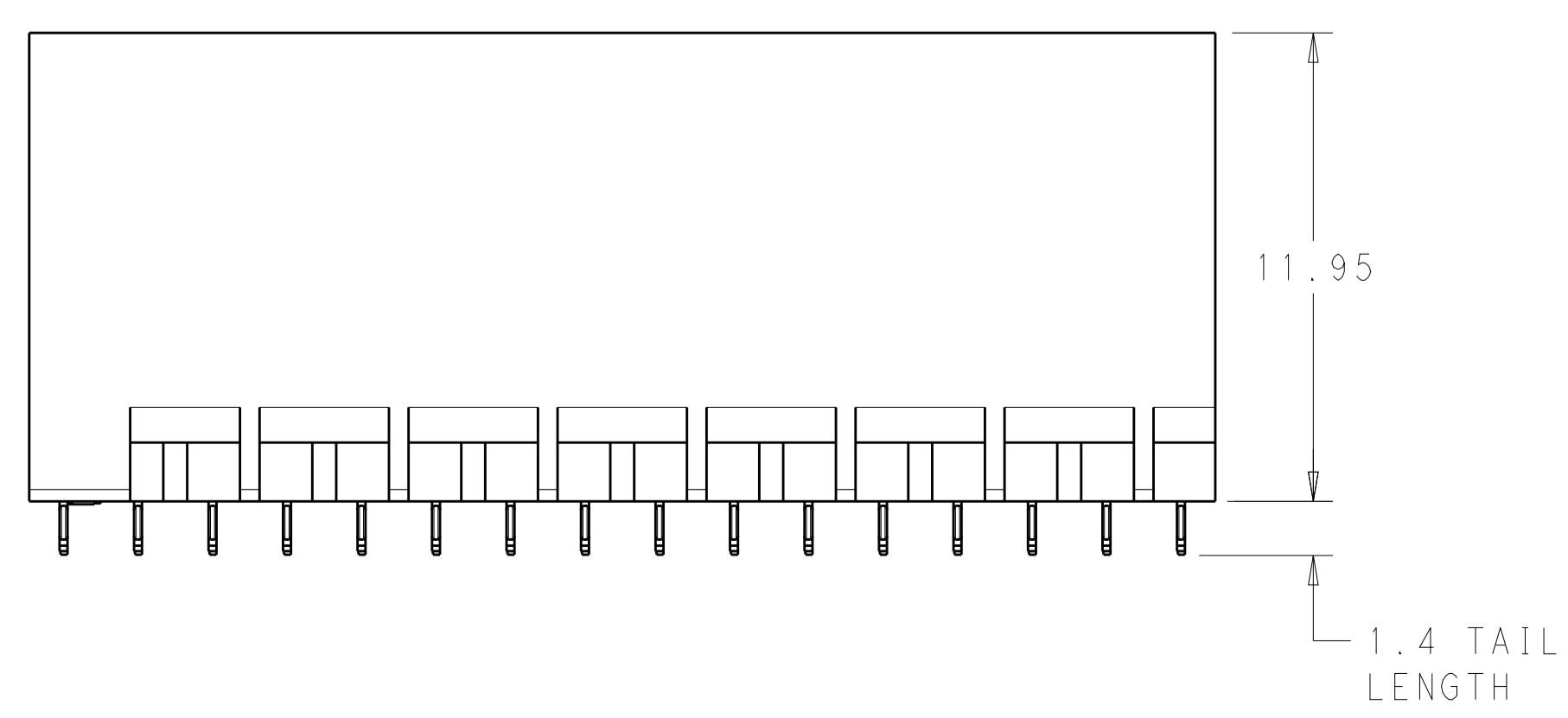
NOTCH DESIGNATES ROW A



- 1 MATERIAL:  
HOUSING: LCP, GLASS FILLED, UL94V-0.  
TERMINALS: HIGH PERFORMANCE COPPER ALLOY.
- 2 FINISH:  
30μ" MIN GOLD IN CONTACT AREA. SELECTIVE TIN ON PCB TAILS, NICKEL OVERALL.
- 3 FINISH:  
30μ" MIN GOLD IN CONTACT AREA. SELECTIVE TIN-LEAD ON PCB TAILS, NICKEL OVERALL.



192X  $\varnothing 0.46 \pm 0.05$  PLATED THRU HOLE  
 192X  $\varnothing 0.55 \pm 0.013$  DRILL HOLE  
 $\varnothing 0.10$   
 UNGUIDED BACKPLANE HOLE PATTERN (CONNECTOR SIDE)



SECTION A-A

DESIGN APPROVED THIS PRINT IS  
**PRELIMINARY**  
 TO FIRST PIECE APPROVAL CONTACT PRODUCT ENGINEERING BEFORE USING THIS PRINT

THIS DRAWING IS A CONTROLLED DOCUMENT.		DWN: KIRAN HOLHUR	09JAN2013	<b>STE</b> TE Connectivity
DIMENSIONS:		CHK: D. DIXON	09JAN2013	
TOLERANCES UNLESS OTHERWISE SPECIFIED:		APVD: D. DIXON	09JAN2013	
mm		NAME:	IMPACT 4 PAIR, 16 COLUMN, HEADER	
0 PLC ±		PRODUCT SPEC:	UNGUIDED, OPEN END WALL	<b>PRELIMINARY</b>
1 PLC ±0.25		APPLICATION SPEC:	SIGNAL MODULE, 0.46 PTH	
2 PLC ±0.13		SIZE:	A100779	SCALE: 6:1 SHEET 1 OF 2 REV 2
3 PLC ±		CAGE CODE:	C=2007832	
4 PLC ±		WEIGHT:		
ANGLES ±		CUSTOMER DRAWING		
FINISH: SEE TABLE				

THIS DRAWING IS UNPUBLISHED. RELEASED FOR PUBLICATION 20  
 © COPYRIGHT 20 BY - ALL RIGHTS RESERVED.

LOC		DIST		REVISIONS			
P	LTN	DESCRIPTION	DATE	DMN	APVD		
-	-	SEE SHEET 1	-	-	-		

FINISH	DIM M	PART NUMBER
$\triangle_3$	5.5	2007832-6
$\triangle_3$	4.9	2007832-5
$\triangle_3$	4.5	2007832-4
$\triangle_2$	5.5	2007832-3
$\triangle_2$	4.9	2007832-2
$\triangle_2$	4.5	2007832-1

REFER TO WWW.TE.COM  
FOR PRODUCT AVAILABILITY

THIS DRAWING IS A CONTROLLED DOCUMENT.		DMN KIRAN HOLH 09JAN2013	
		CHK D. DIXON 09JAN2013	
DIMENSIONS:	TOLERANCES UNLESS OTHERWISE SPECIFIED:	APVD D. DIXON 09JAN2013	NAME
mm	0 PLC ± 1 PLC ±0.25 2 PLC ±0.13 3 PLC ± 4 PLC ±	PRODUCT SPEC	IMPACT, 4 PAIR, 16 COLUMN, HEADER UNGUIDED, OPEN END WALL SIGNAL MODULE, 0.46 PTH
	ANGLES ±	APPLICATION SPEC	
MATERIAL	FINISH SEE TABLE	WEIGHT	SIZE
-	-	-	A100779C=2007832
CUSTOMER DRAWING		SCALE	RESTRICTED TO
		5:1	SHEET 2 OF 2 REV 2