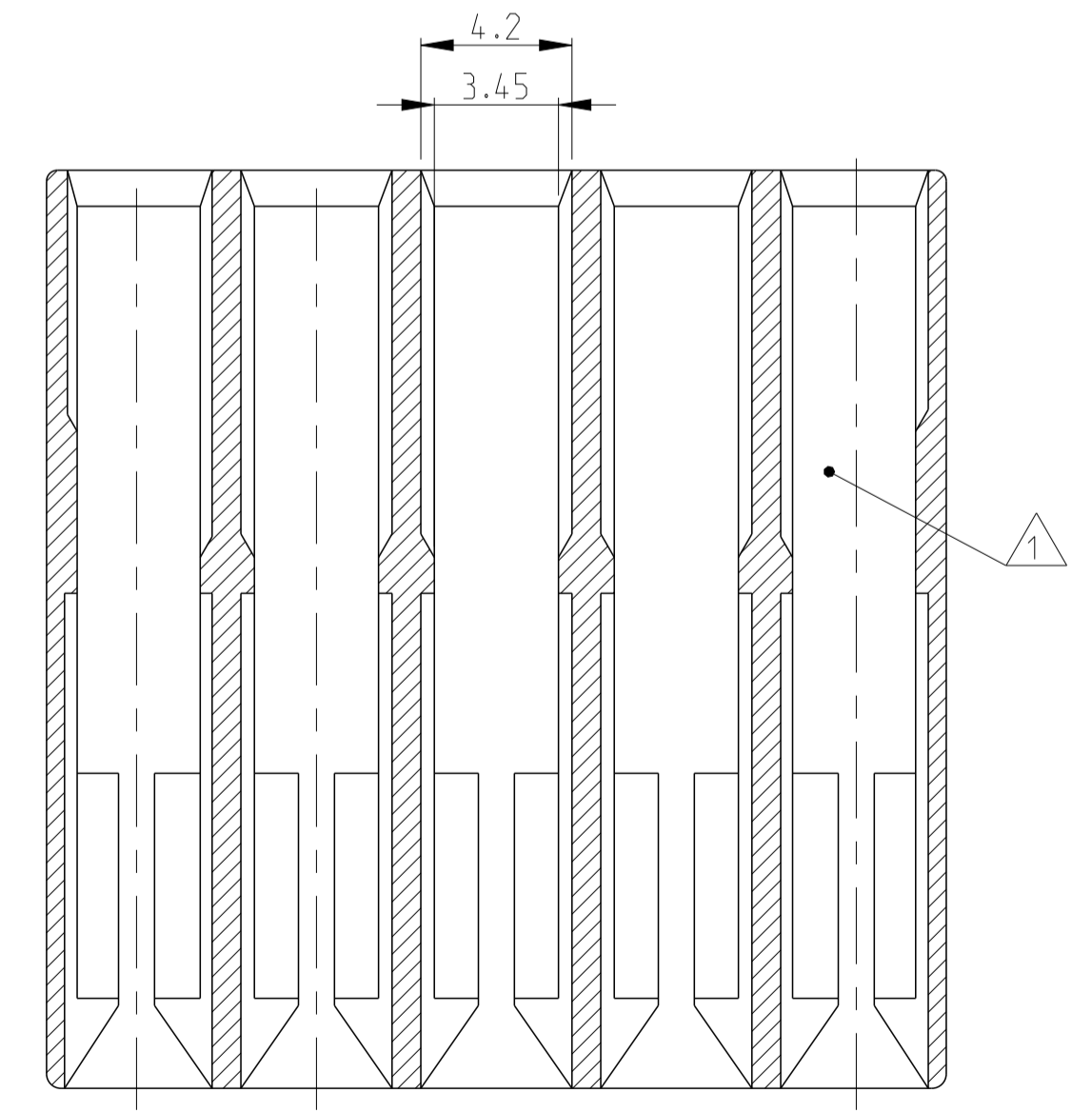
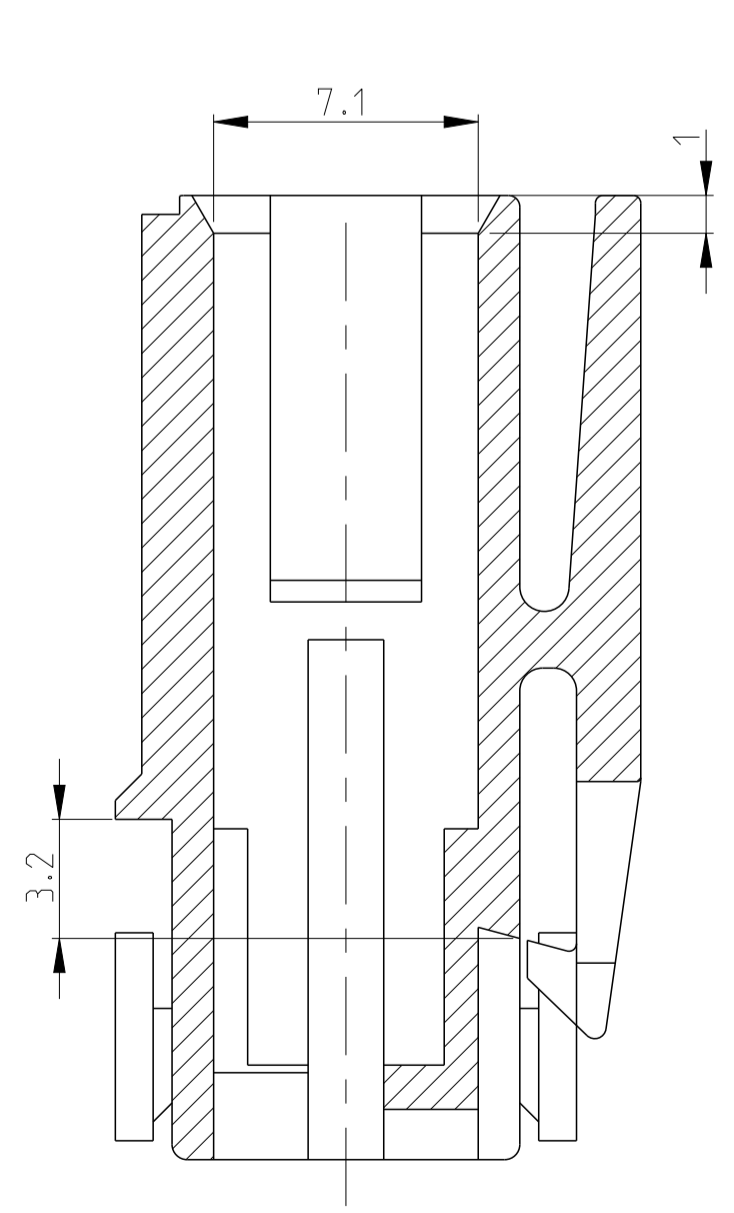
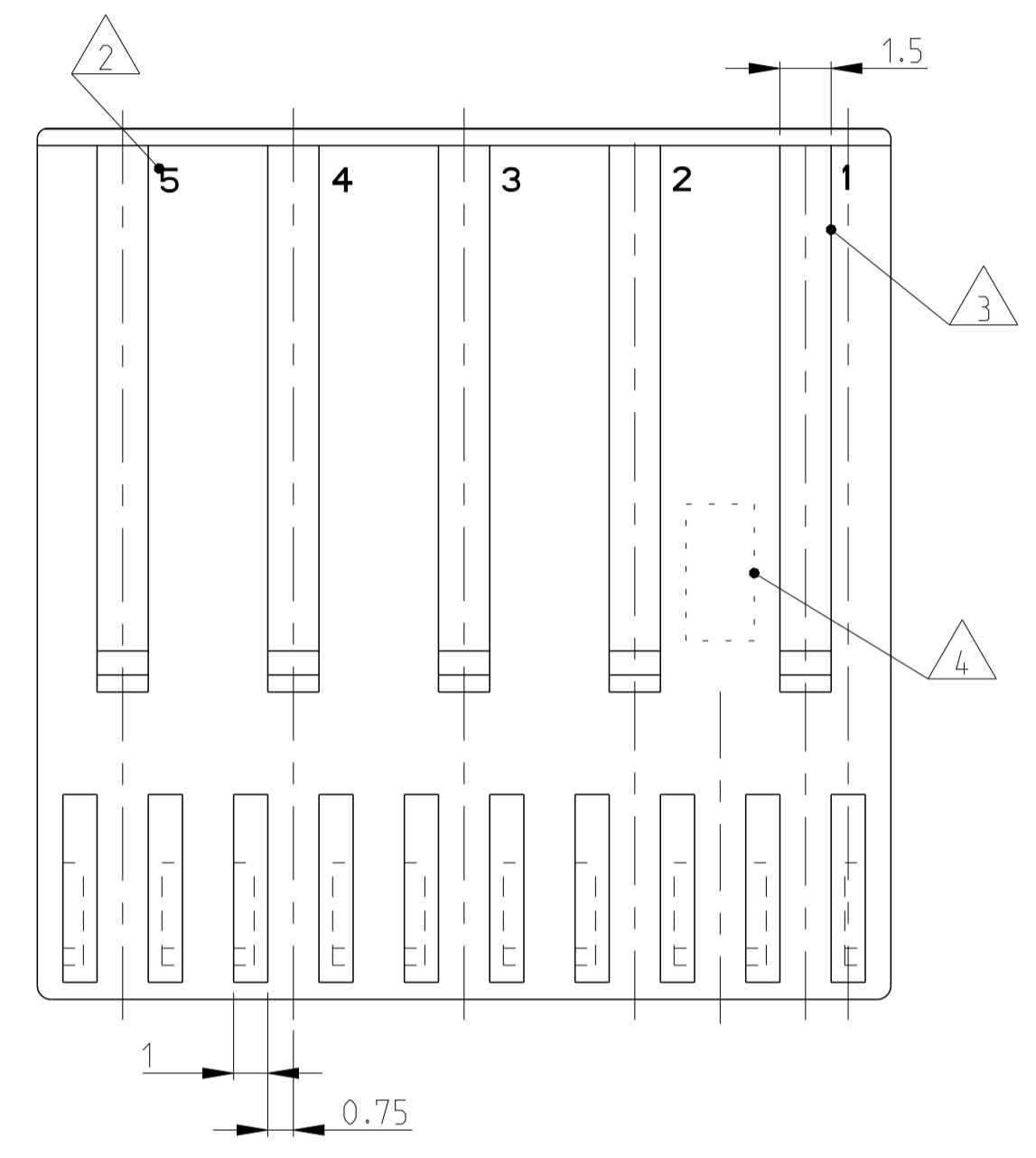
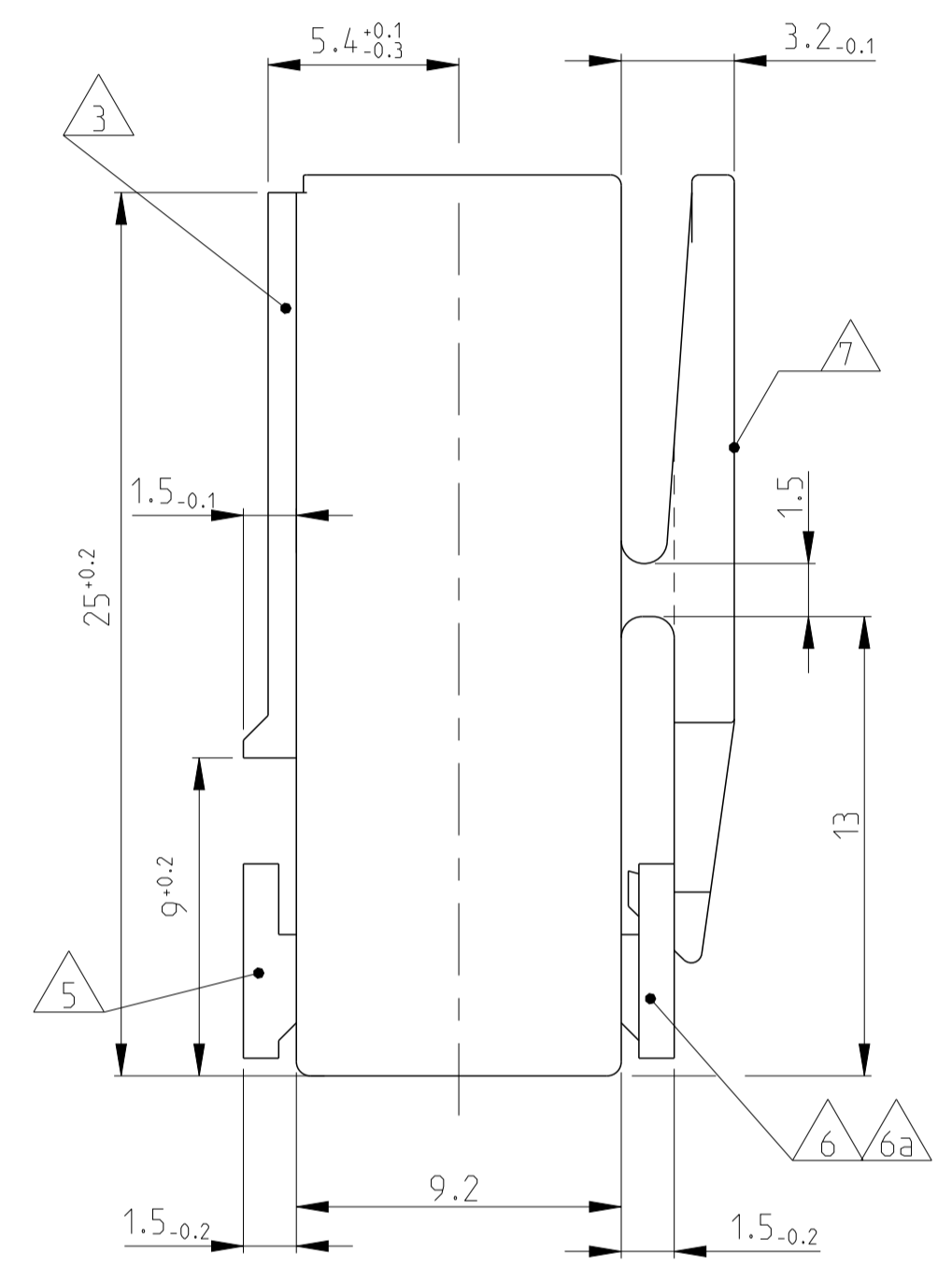
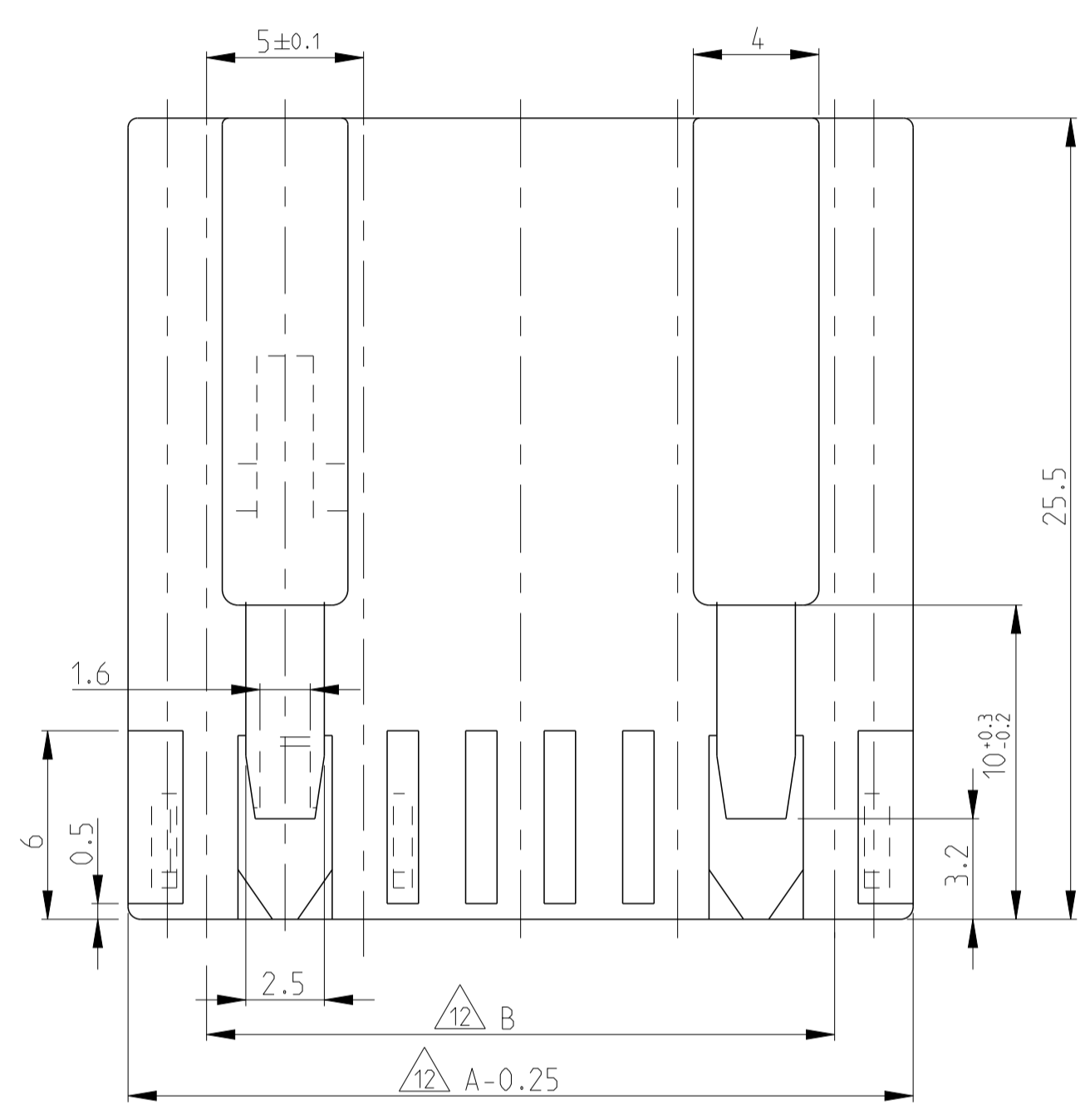
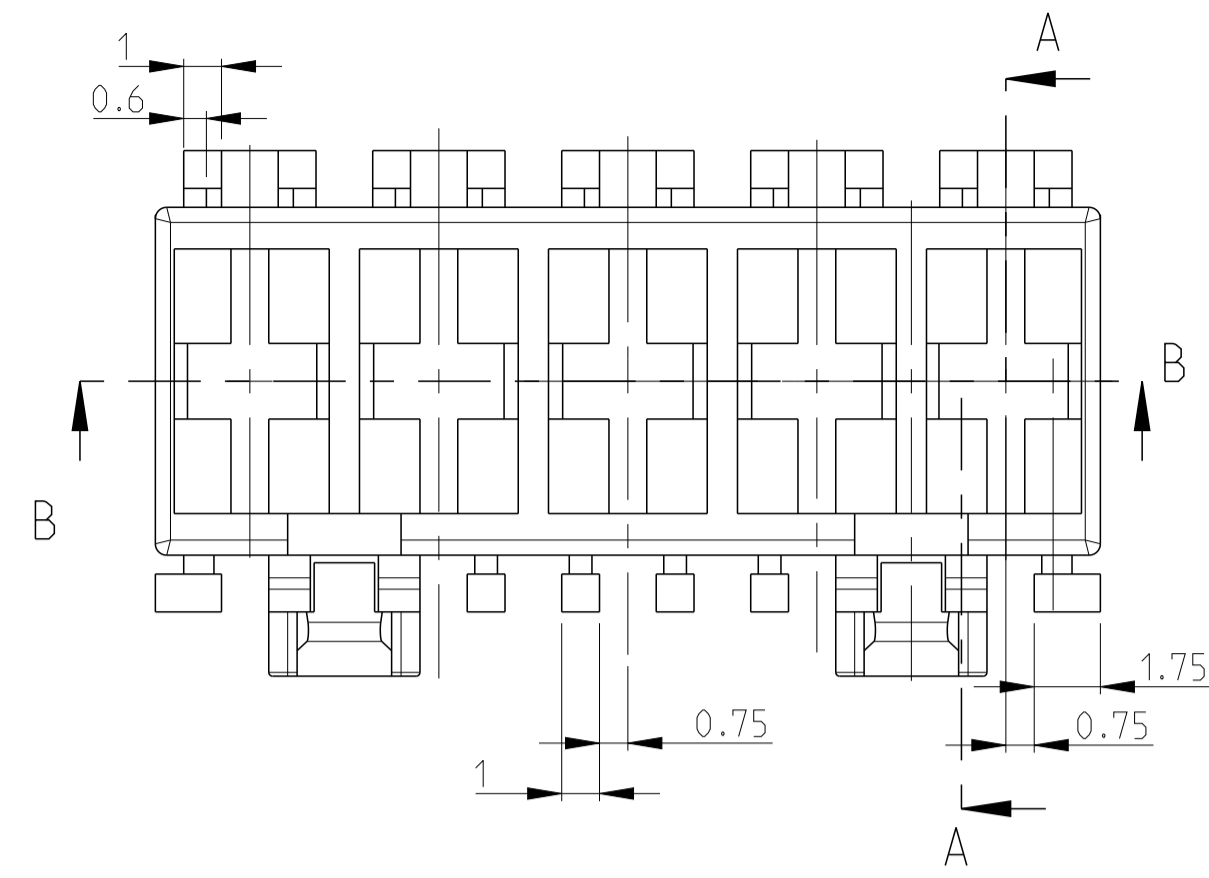
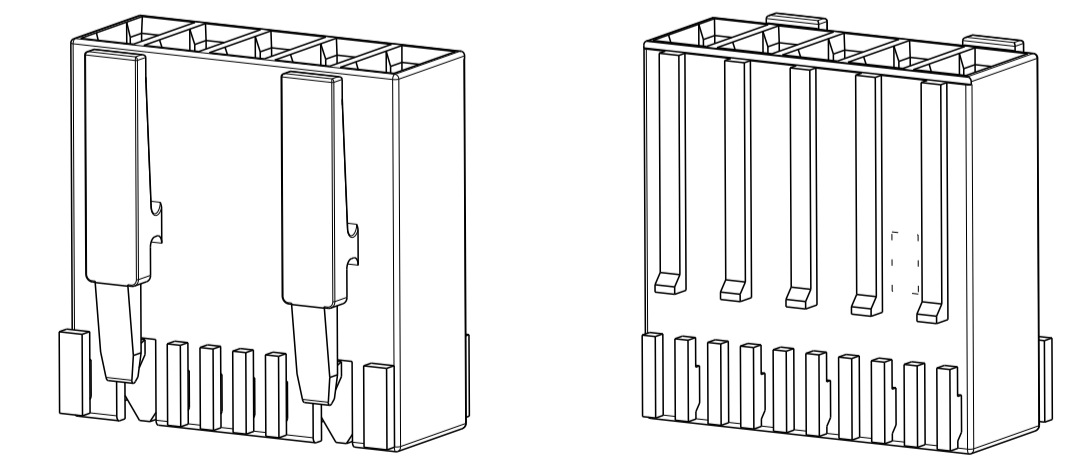


LOC		DIST		REVISIONS				
A1		-		REV	DESCRIPTION	DATE	BY	APPV
C15	ECR-12-010333	06JUN2012	MKD	RRP				
C16	ECR-12-014297	13AUG2012	MKD	RRP				
C17	NEW P/N 6-1241961-7 ADDED	20DEC2012	MKD	RRP				
C18	ECR-13-010971	22JUL2013	MKD	RRP				



- REMARKS/Bemerkungen**
- 1 CAVITY SUITABLE FOR STANDARD TIMER CONTACTS LISTED IN PROD.SPEC. 108-18049. ITEM 3.3.2
Kammer geeignet für Standard Timer Kontakte gelistet in Prod. Spec. 108-18049, Punkt 3.3.2
 - 2 CONTACT CAVITY NO.
Kontaktkammernummerierung
 - 3 MATING STOP
Tiefenanschlag
 - 4 AREA FOR TE LOGO ACC: TO SPEC 202-36
Bereich für TE Logo nach Spec. 202-36
 - 5 POLARIZATION RIB POSITION "a" AND/OR "b"
Polarisierungsrippe Position "a" und/oder "b"
 - 6 KEYING RIB POSITION "c" AND/OR "d"
Kodierrippe Position "c" und/oder "d"
 - 6a KEYING RIB POSITION "c" AND/OR "d" AT THE END WALLS OF THE HOUSING
Kodierrippe Position "c" und/oder "d" an den Gehäusestirnseiten
 - 7 LOCKING LATCH
Rasthaken
 - 8 TE PART NO (PN)
TE Bestell Nr. (PN)
 - 9 DESIGN OF THE HOUSINGS ACC. TO RAST 5 STANDARD
Gehäuseausführung gemäss RAST 5 Vorgabe
 - 10 GENERAL SUITABLE TAB HEADER SEE RAST 5 PERFORMANCE
Generell passende Flachsteckerwannen siehe RAST 5 Vorgabe
 - 11 PACKAGING: BULK PACKAGING IN CORRUGATED BOX PN 740580-2
2 POS. 2500 PIECES PER BOX / 3 POS. 2000 PIECES PER BOX
Verpackung: Schüttgut in Versandkarton Pn 740580-2
2pol. 2500 Stück per Karton / 3pol. 2000 Stück per Karton
 - 12 DIMENSION A AND DIMENSION B SEE SHEET 2 OF 3
Mass A und Mass B. siehe Blatt 2 of 3
 - 13 MATERIAL CORRESPONDS TO THE REQUIREMENT EN 60335
(INCL. GLOW WIRE TEST 750° WITHOUT FLAME)
Material entspricht den Anforderungen der EN 60335
(inkl. Glühdrahttest 750° ohne Flamme)
 - 14 RATIO NUMBER OF THE KEYING VERSION, INKJET PRINTED. SEE SHEET 2
Kodierungskennnummer, mit Tintenstrahldrucker aufgebracht. siehe Blatt 2
 - 15 PRELIMINARY- NOT RELEASED FOR PRODUCTION

5 POSITION
STD. TIMER MARK-II HOUSING



SCALE 2:1

SECTION A-A / Schnitt A-A

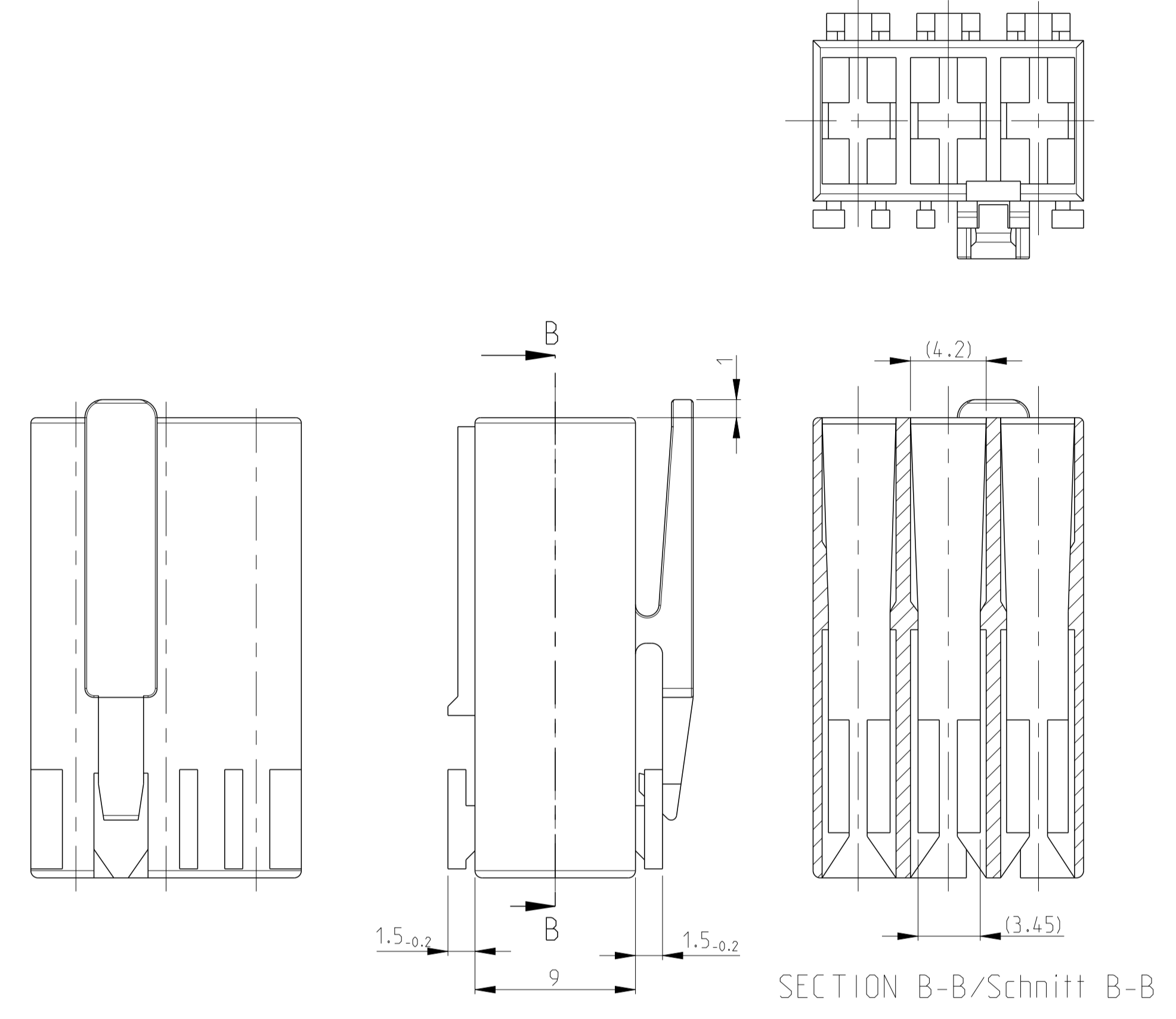
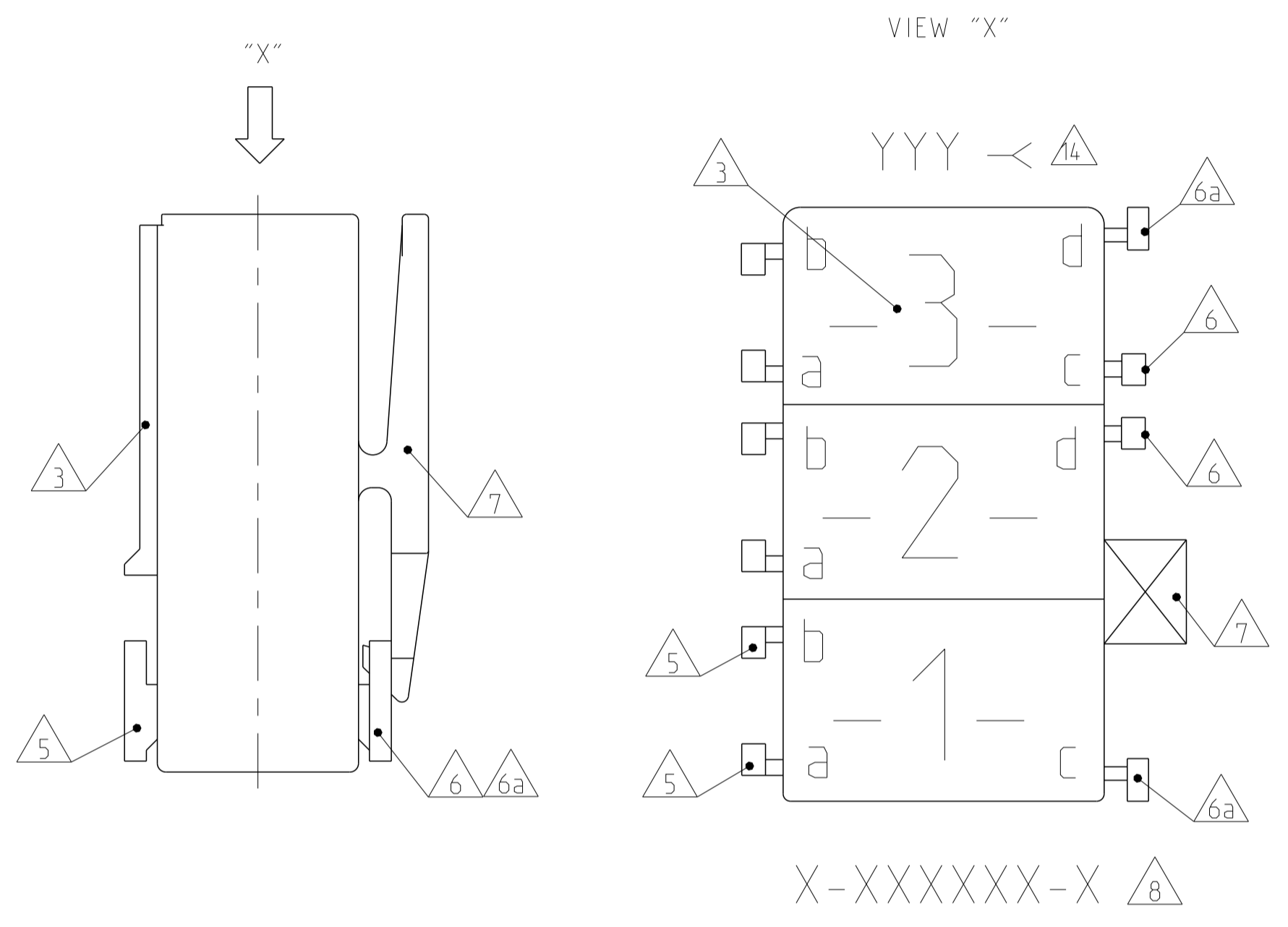
SECTION B-B / Schnitt B-B

THIS DRAWING IS A CONTROLLED DOCUMENT.		OWN: Kishor M. 18-10-07	
DIMENSIONS: mm		CHK: K.Mundz 18-10-07	
TOLERANCES UNLESS OTHERWISE SPECIFIED:		APPV: Tr. Klanner 18-10-07	NAME: STANDARD TIMER HSG. RAST 5 MARK II
0 PLC ±0.2	1 PLC ±0.2	PRODUCT SPEC	Standard Timer Gehäuse RAST 5 Mark II
2 PLC ±0.2	3 PLC ±0.2	APPLICATION SPEC	
4 PLC ±0.2	ANGLES ±°	SIZE: A1	CAGE CODE: 00779
MATERIAL: SEE TABLE SHEET 2 OF 3	FINISH: -	WEIGHT: -	DRAWING NO: 1241961
		Customer Drawing	RESTRICTED TO: -
		SCALE: 4:1	SHEET: 1 OF 3
			REV: C18

**PAY ATTENTION !
DIFFERENT CAVITY GEOMETRY AND LOCKING LATCH OVERHANG
Bitte beachten !
Unterschiedliche Kammergeometrie und Rasthakenüberstand.**

FOR 2 POS. AND 3 POS.

KEY LAYOUT DESCRIPTION



**ALL OTHER DIMENSIONS SEE SHEET 1 OF 3
Alle anderen Masse siehe Seite 1 von 3**

SPECIAL VERSION: UL94 V0 & GWT 750 NF							
PRELIMINARY	3-2178412-7	3	15	10	PA66 UL94 V0 & GWT 750 NF	NATURAL	1
PRELIMINARY	4-2178412-7	3	15	10		NATURAL	1
PRELIMINARY	8-2178412-2	2	10	5		NATURAL	1

SPECIAL MATERIAL							
PRELIMINARY	1955507-4	4	20	15	PA66	NATURAL	1
PRELIMINARY	9-1955506-2	2	10	5	UL 94 V0	NATURAL	1
PRELIMINARY	6-1241961-7	3	15	10	PA 6 UL94V-2	NATURAL	1
	4-1241961-7	3	15	10	PA 6 UL94V-2	NATURAL	A
	3-1241961-7	3	15	10	PA 6 UL94V-2	NATURAL	A
	1-1955422-7	3	15	10	PA 66 UNFILLED UL94 V0	NATURAL	A
PRELIMINARY	5-1955422-7	3	15	10	PA 66 UNFILLED UL94 V0	NATURAL	1
	4-1955422-3	2	10	5	PA 66 UNFILLED UL94 V0	NATURAL	A
	2-1241817-3	3	15	10	PA 66 UL94 V-2	Green	E
	0-1955422-6	3	15	10	PA 66 UNFILLED UL94 V0	NATURAL	A
	0-1241961-8	3	15	10	PA 6 UL94V-2	natural	A
	8-1241961-3	2	10	5			C
	3-1241961-1	2	10	5	PA 6 UL94V-2	NATURAL	C
PRELIMINARY	0-1955422-1	2	10	5	PA 66 UNFILLED UL94 V0	NATURAL	1
	PART NO	POS	DIM A/MASS A	DIM B/MASS B	MATERIAL	COLOUR Farbe	REV./Rev.

LOC		DIST		REVISIONS			
AI	-	P	LTN	DESCRIPTION	DATE	OWN	APVD
				SEE SHEET-01			
0-1241959-5	5	25	20	PA 6 UL94V-2	Natural/natur	B	A
4-1241959-4	4	20	15				
2-1241959-4	2	20	15				
0-1241959-4	4	20	15			B	
2-1241817-5	5	25	20	PA 6.6 UL94V-2	Natural/natur Black/schwarz Violet/violett Grey/grau Natural/natur	C	
0-1241817-5	0	25	20				
3-1241817-4	3	20	15				
2-1241817-4	2	20	15				
0-1241817-4	0	20	15				
2-1241983-2	2	10	5	PA 6 UL94V-2	Green/grün Violet/violett Yellow/gelb Black/schwarz Blue/blau Red/rot	C	
1-1241983-2	1	10	5				
0-1241983-2	0	10	5				
8-1241983-2	8	10	5				
5-1241983-3	5	10	5				
6-1241983-2	6	10	5				
9-1241961-8	9	15	10				
6-1241961-8	6	15	10				
5-1241961-8	5	15	10				
4-1241961-8	4	15	10				
7-1241961-8	7	15	10				
1-1241961-8	1	15	10				
3-1241961-8	3	15	10				
2-1241961-8	2	15	10				
2-1241961-7	2	15	10				
1-1241961-7	1	15	10				
9-1241961-9	9	15	10				
0-1241961-6	0	15	10				
3-1241961-3	3	10	5				
2-1241961-2	2	10	5				
5-1241961-2	5	10	5				
4-1241961-3	4	10	5				
7-1241961-2	7	10	5				
7-1241961-3	7	10	5				
6-1241961-3	6	10	5				
3-1241961-2	3	10	5				
5-1241961-3	5	10	5				
6-1241961-2	6	10	5				
0-1241961-3	0	10	5				
8-1241961-2	8	10	5				
9-1241961-2	9	10	5				
0-1241961-1	0	10	5				
9-969484-9	3	15	10	PA 6.6 UL94V-2	Natural/natur	H	B
2-969484-8	2	15	10				
1-969484-8	1	15	10				
0-969484-8	0	15	10				
9-969484-7	9	15	10				
8-969484-7	8	15	10				
7-969484-7	7	15	10				
6-969484-7	6	15	10				
5-969484-7	5	15	10				
4-969484-7	4	15	10				
3-969484-7	3	15	10				
2-969484-7	2	15	10				
1-969484-7	1	15	10				
0-969484-7	0	15	10				
9-969484-6	9	15	10				
8-969484-6	8	15	10				
7-969484-6	7	15	10				
6-969484-6	6	15	10				
5-969484-6	5	15	10				
4-969484-6	4	15	10				
3-969484-6	3	15	10				
2-969484-6	2	15	10				
1-969484-6	1	15	10				
0-969484-6	0	15	10				
7-969484-3	7	10	5	PA 6.6 UL94V-2	Natural/natur	H	B
6-969484-3	6	10	5				
5-969484-3	5	10	5				
4-969484-3	4	10	5				
3-969484-3	3	10	5				
2-969484-3	2	10	5				
1-969484-3	1	10	5				
0-969484-3	0	10	5				
9-969484-2	9	10	5				
8-969484-2	8	10	5				
7-969484-2	7	10	5				
6-969484-2	6	10	5				
5-969484-2	5	10	5				
4-969484-2	4	10	5				
3-969484-2	3	10	5				
2-969484-2	2	10	5				
1-969484-2	1	10	5				
0-969484-2	0	10	5				
9-969484-1	9	10	5	PA 6.6 UL94V-2	Natural/natur	H	B
8-969484-1	8	10	5				
7-969484-1	7	10	5				
6-969484-1	6	10	5				
5-969484-1	5	10	5				
4-969484-1	4	10	5				
3-969484-1	3	10	5				
2-969484-1	2	10	5				
1-969484-1	1	10	5				
0-969484-1	0	10	5				
9-969484-1	9	10	5				
8-969484-1	8	10	5				
7-969484-1	7	10	5				
6-969484-1	6	10	5				
5-969484-1	5	10	5				
4-969484-1	4	10	5				
3-969484-1	3	10	5				
2-969484-1	2	10	5				
1-969484-1	1	10	5				
0-969484-1	0	10	5				
PART NO	POS.	DIM.A/Mass A	DIM.B/Mass B	MATERIAL	COLOUR	REV./Rev.	

THIS DRAWING IS A CONTROLLED DOCUMENT.

DIMENSIONS: mm

TOLERANCES UNLESS OTHERWISE SPECIFIED:

0 PLC	±0.2
1 PLC	±0.2
2 PLC	±0.2
3 PLC	±0.2
4 PLC	±0.2
ANGLES	±0.1

MATERIAL: SEE TABLE SHEET 2 OF 3

FINISH: -

WEIGHT: -

Customer Drawing

SCALE: 4:1

SHEET 2 OF 3

REV. 18

STANDARD TIMER HSG. RAST 5 MARK II
Standard Timer Gehäuse RAST 5 Mark II

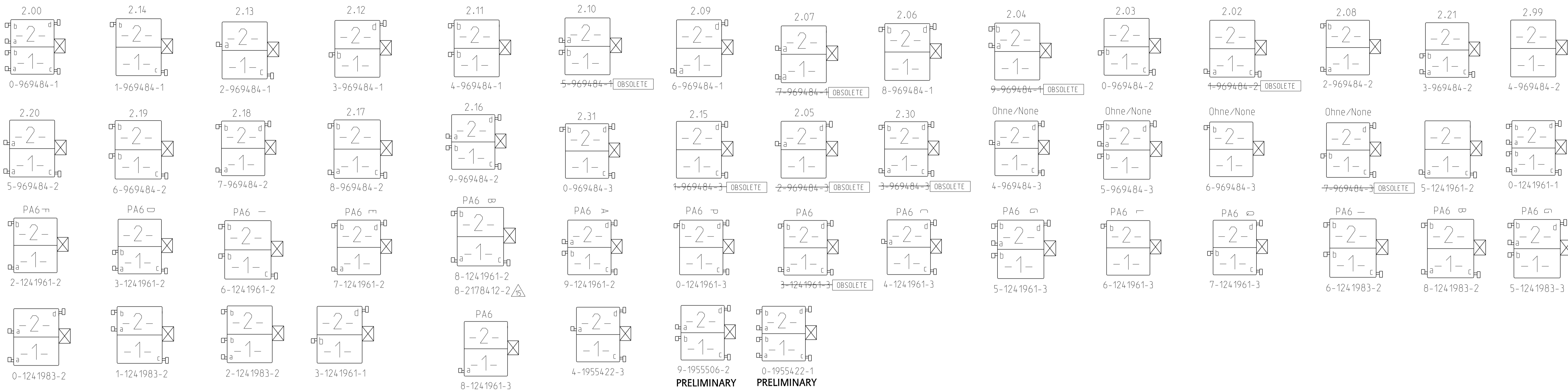
SIZE: A1

CAGE CODE: 00779

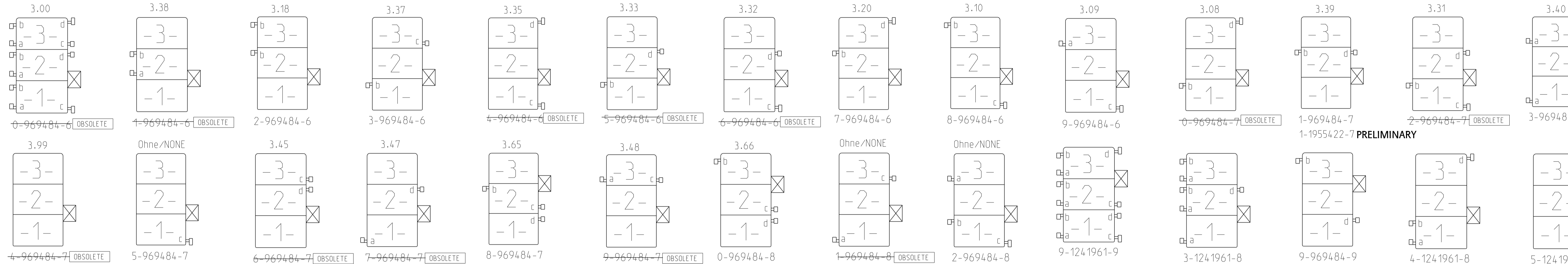
DRAWING NO: 1241961

RESTRICTED TO: -

2 POSITION VARIANTS

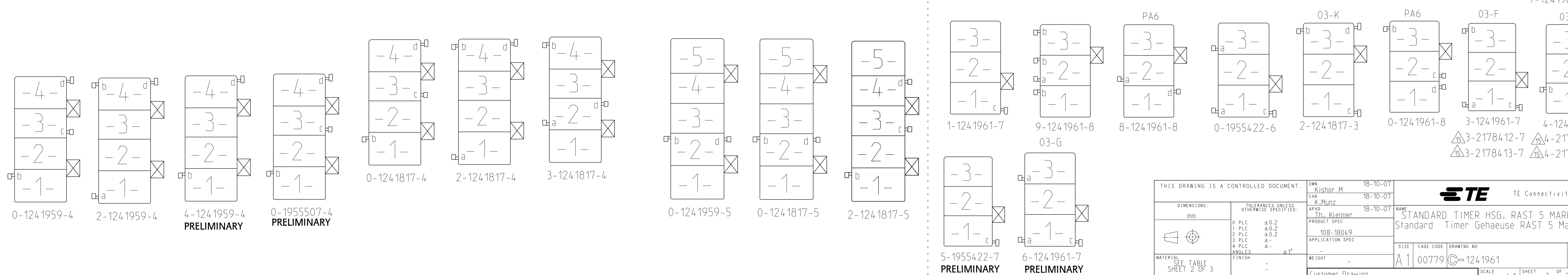


3 POSITION VARIANTS



4 POSITION VARIANTS

5 POSITION VARIANTS



THIS DRAWING IS A CONTROLLED DOCUMENT.

OWN	K. Kishor M	18-10-07
CHK	K. Mundz	18-10-07
APPR	T. Klennner	18-10-07

TE Connectivity

NAME: STANDARD TIMER HSG. RAST 5 MARK II
Standard Timer Gehäuse RAST 5 Mark II

PRODUCT SPEC: 108-18049
APPLICATION SPEC: -

SIZE: A1 CAGE CODE: 00779 DRAWING NO: 1241961
RESTRICTED TO: -

MATERIAL: SEE TABLE SHEET 2 OF 3 FINISH: - WEIGHT: -

Customer Drawing SCALE: 4:1 SHEET: 3 OF 3 REV: C18