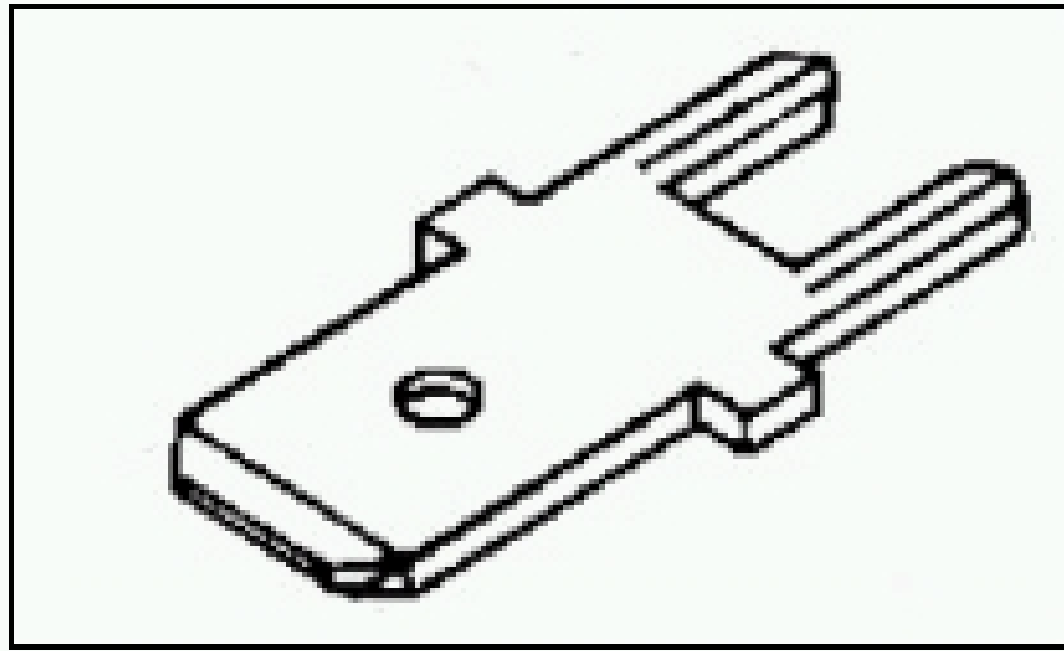


1217956-1 Product Details



1217956-1

TE Part Number: 1217956-1

✓ [Active](#)

➔ [Add to Part List](#)

Quick Disconnect Tabs, Tab Adapters & Tab Caps

✓ [Always EU RoHS/ELV Compliant \(Statement of Compliance\)](#)

Product Highlights:

- Tab
- Tab Type = Printed Circuit Board
- Tab Fit = 7.92 x 0.81 mm
- Brass Material
- Tin Finish

[View all Features](#) | [Find Similar Products](#)

Live Product Chat

Quick Links

- ▶ [Check Pricing & Availability](#)
- ▶ [Search for Tooling](#)
- ▶ [Product Feature Selector](#)
- ▶ [Contact Us About This Product](#)

Documentation & Additional Information

Product Drawings:

- [TAB, FASTON, PC BOARD, .312 SERIES \(PDF, English\)](#)

Catalog Pages/Data Sheets:

- None Available

Product Specifications:

- None Available

Application Specifications:

- None Available

Instruction Sheets:

- None Available

CAD Files:

- None Available

Additional Information:

- [Product Line Information](#)

Related Products:

- [Tooling](#)

[List all Documents](#)

Product Features (Please use the Product Drawing for all design activity)

Product Type Features:

- [Product Type](#) = Tab
- [Tab Fit \(mm \[in\]\)](#) = 7.92 x 0.81 [.312 x .032]
- [Material](#) = Brass
- [Finish](#) = Tin
- [Mount Angle](#) = Straight
- [Insulation Support](#) = Without
- [PCB Hole Diameter \(mm \[in\]\)](#) = 1.40 [0.055]
- [PCB Thickness \(mm \[in\]\)](#) = 3.18 [0.125]

Electrical Characteristics:

- [Dimple](#) = Without

Body Related Features:

- [Tab Type](#) = Printed Circuit Board
- [Stud Hole](#) = Without
- [Stock Thickness \(mm \[in\]\)](#) = 0.81 [0.032]

Industry Standards:

- [RoHS/ELV Compliance](#) = RoHS compliant, ELV compliant
- [Lead Free Solder Processes](#) = Wave solder capable to 240°C, Wave solder capable to 260°C, Wave solder capable to 265°C
- [RoHS/ELV Compliance History](#) = Always was RoHS compliant

Packaging Related Features:

- [Packaging Method](#) = Loose Piece

Other:

- [Brand](#) = AMP