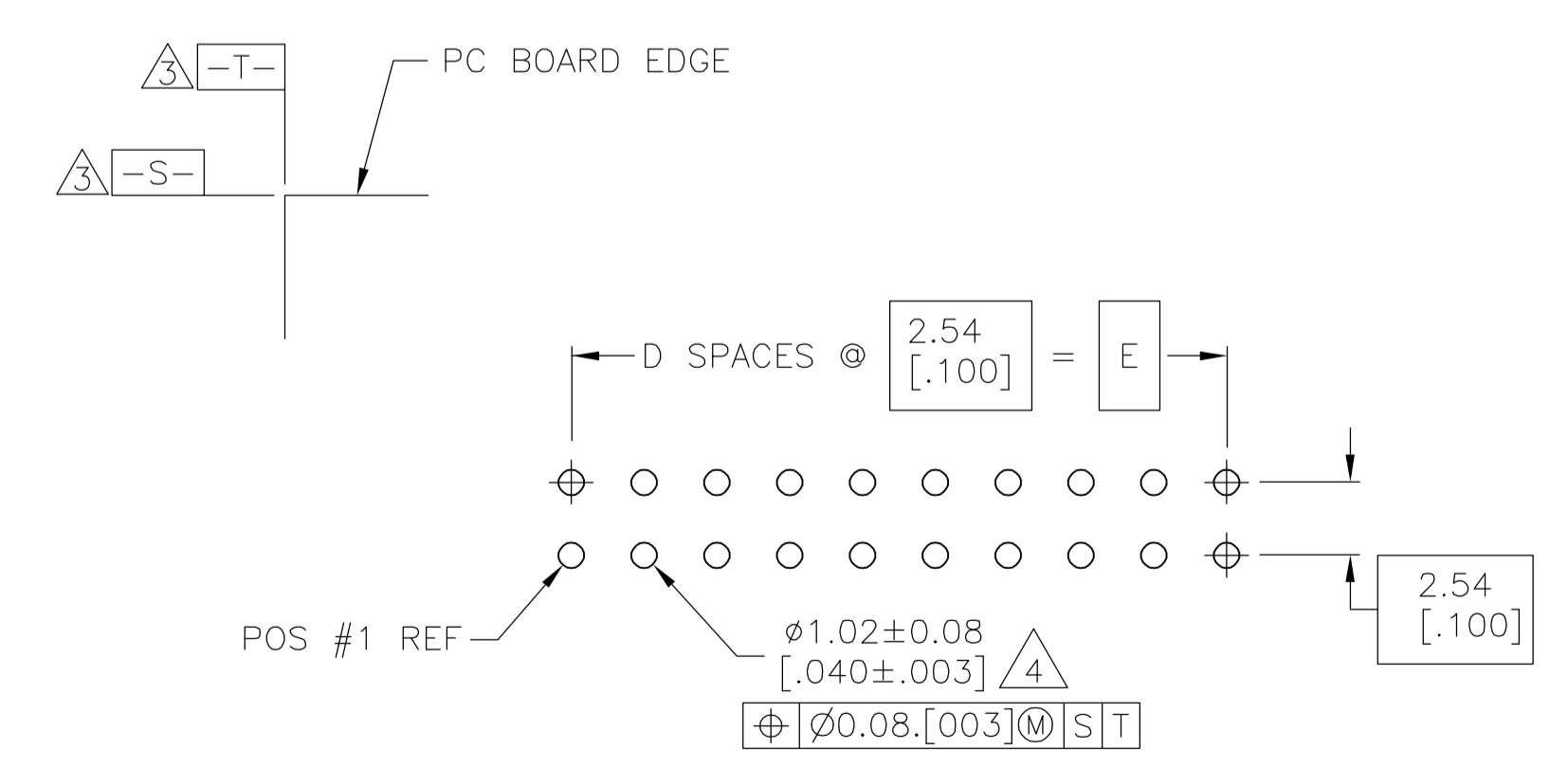
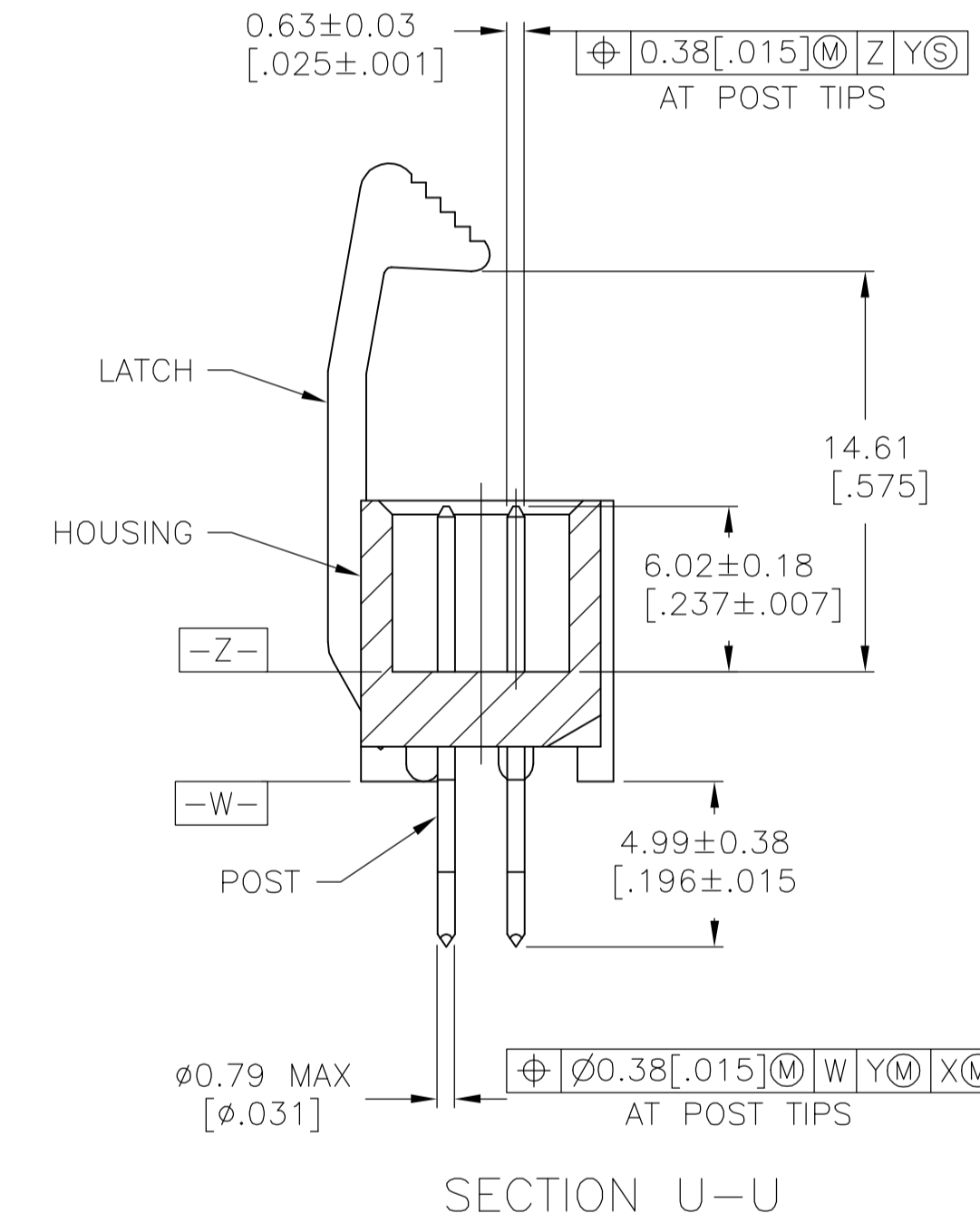
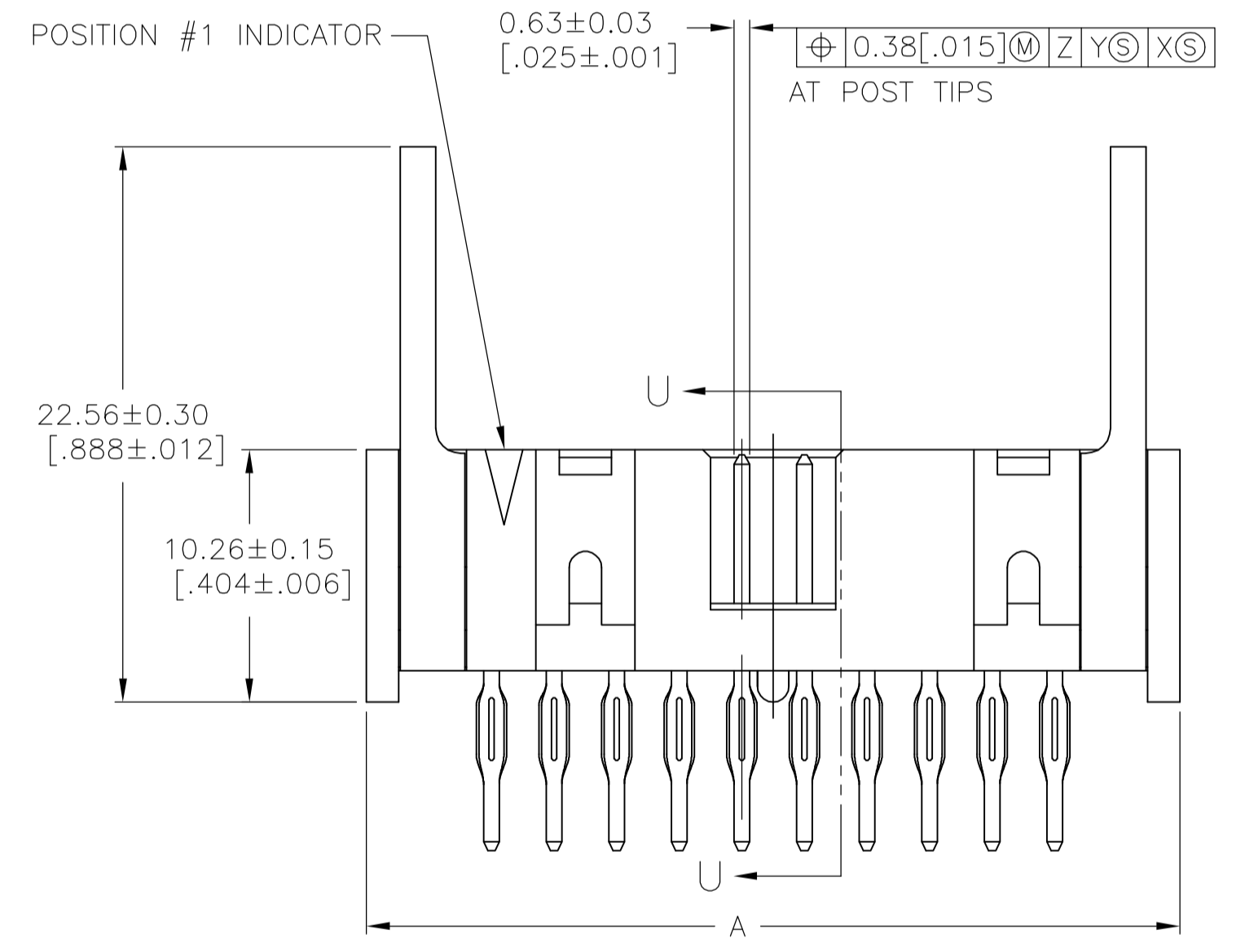


- △ HOUSING: PBT, UL94V-0, COLOR: BLUE.
POSTS: PHOSPHOR BRONZE.
LATCHES: ZINC ALLOY.
- △ POSTS: 0.00076[.000030] MIN GOLD ON MATING AREA, 0.00254[.000100] MIN TIN-LEAD ON COMPLIANT PIN, ALL OVER 0.00127[.000050] MIN NICKEL ON ENTIRE POST.
LATCHES: BLACK CHROMATE.
- △ DATUMS S & T TO BE ESTABLISHED BY CUSTOMER.
- △ HOLE DIAMETER AFTER PLATING.
- △ NO KEYING SLOTS FOR 10 POSITION ASSEMBLIES.
- △ NO STANDOFF FOR 10 POSITION ASSEMBLIES.



RECOMMENDED PC BOARD LAYOUT
(VIEWED FROM CONNECTOR SIDE)

83.82 [3.300]	33	80.77 [3.180]	86.26 [3.396]	88.90 [3.500]	64	1-1437044-9
10.16 [.400]	4	12.19 [.480]	17.68 [.696]	20.32 [.800]	10	1437044-5
60.96 [2.400]	24	62.99 [2.480]	68.48 [2.696]	71.12 [2.800]	50	1437065-9
40.64 [1.600]	16	42.67 [1.680]	48.16 [1.896]	50.80 [2.000]	34	4-1437064-6
E	D	C	B	A	NO OF POS	PART NUMBER

THIS DRAWING IS A CONTROLLED DOCUMENT.

DIMENSIONS: mm [INCHES]	TOLERANCES UNLESS OTHERWISE SPECIFIED:	0 PLC ± -	1 PLC ± -	2 PLC ± -	3 PLC ± 0.13[.005]	4 PLC ± -	ANGLES ± -
MATERIAL	FINISH	WEIGHT	SIZE	CODE/DATE	DRAWING NO	REV	RESTRICTED TO
1	2	-	A1	00779	1437044-5	5	RESTRICTED TO

Customer Drawing

Scale: 4:1

Sheet: 1 of 1

Rev: A

tyco Electronics Corporation
 Harrisburg, PA 17105-3608

HEADER ASSEMBLY, LONG EJECT LATCH, VERTICAL, LOW PROFILE, IDC

OBSELETE NOT THE LATEST REVISION