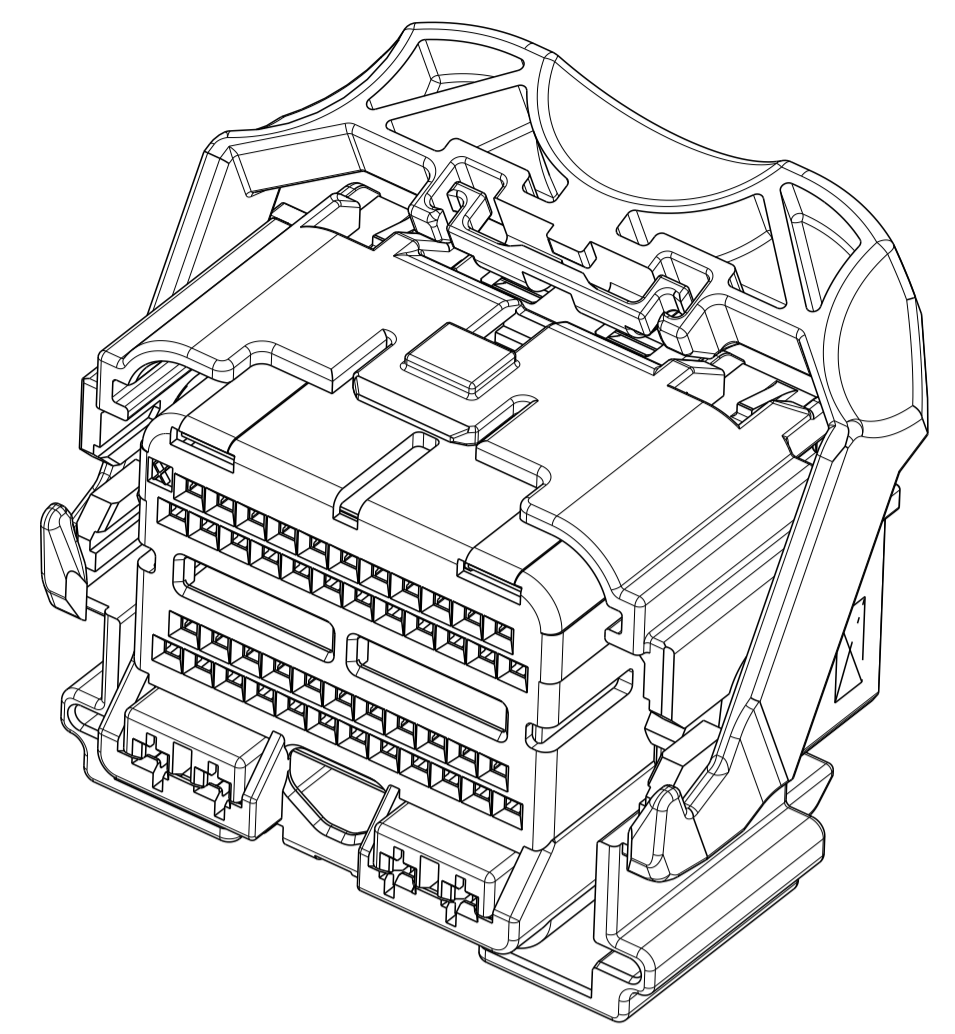
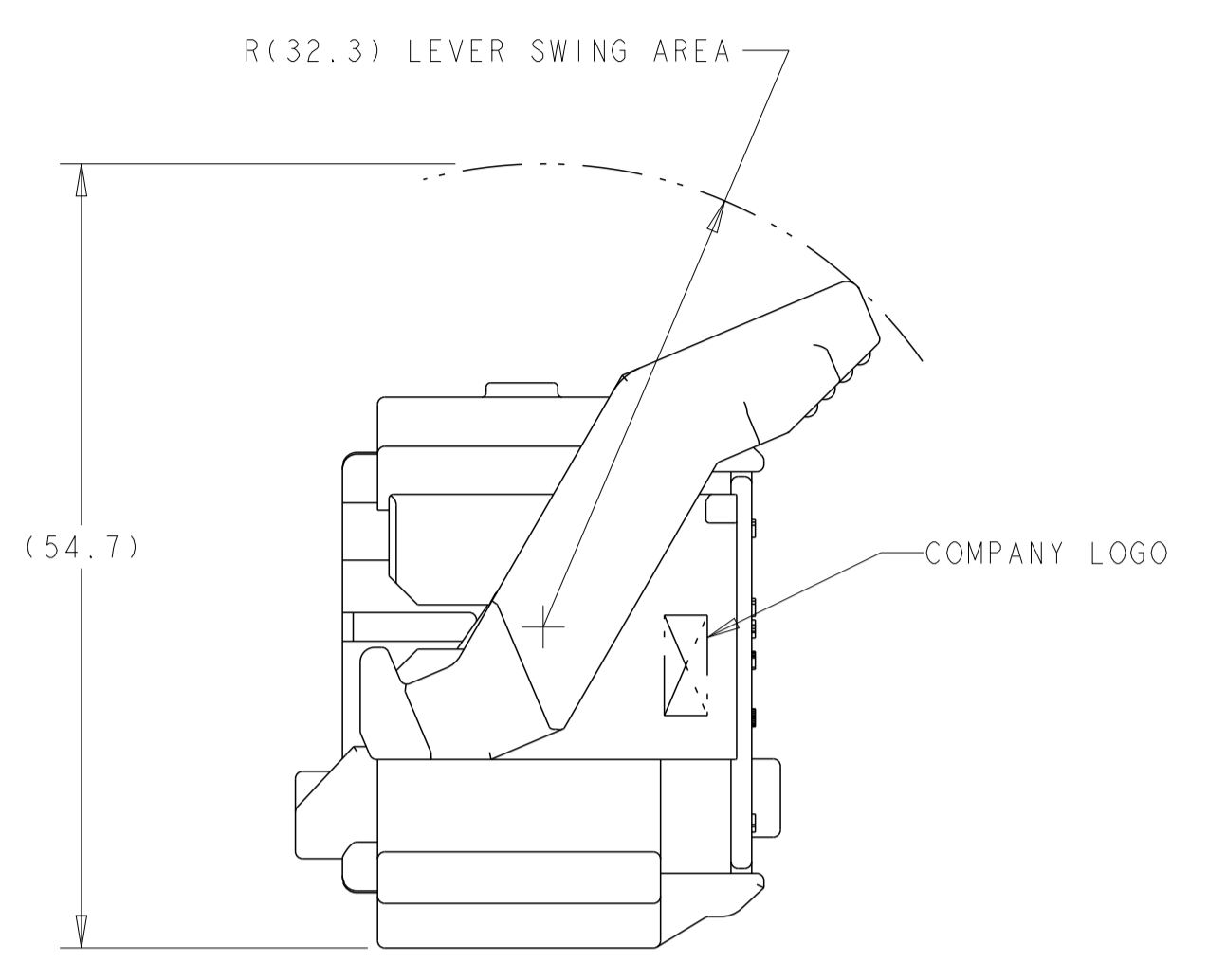
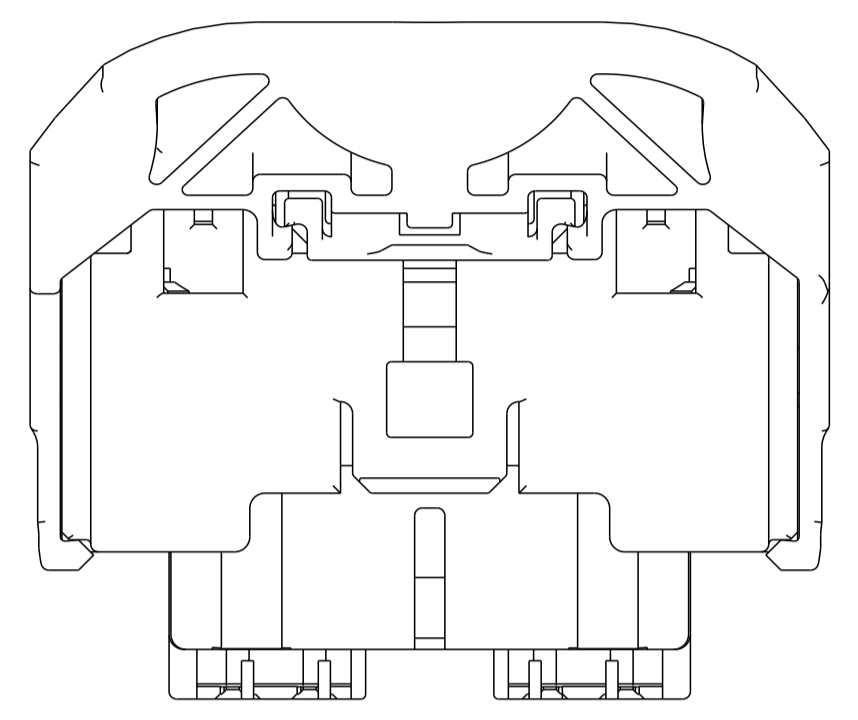


REVISIONS					
P	LTN	DESCRIPTION	DATE	DWN	APVD
A11		REVISED PER ECO-10-020914	22NOV2010	DLD	DCM
A12		REVISED PER ECO-20-012415	10SEP2020	AP	CM

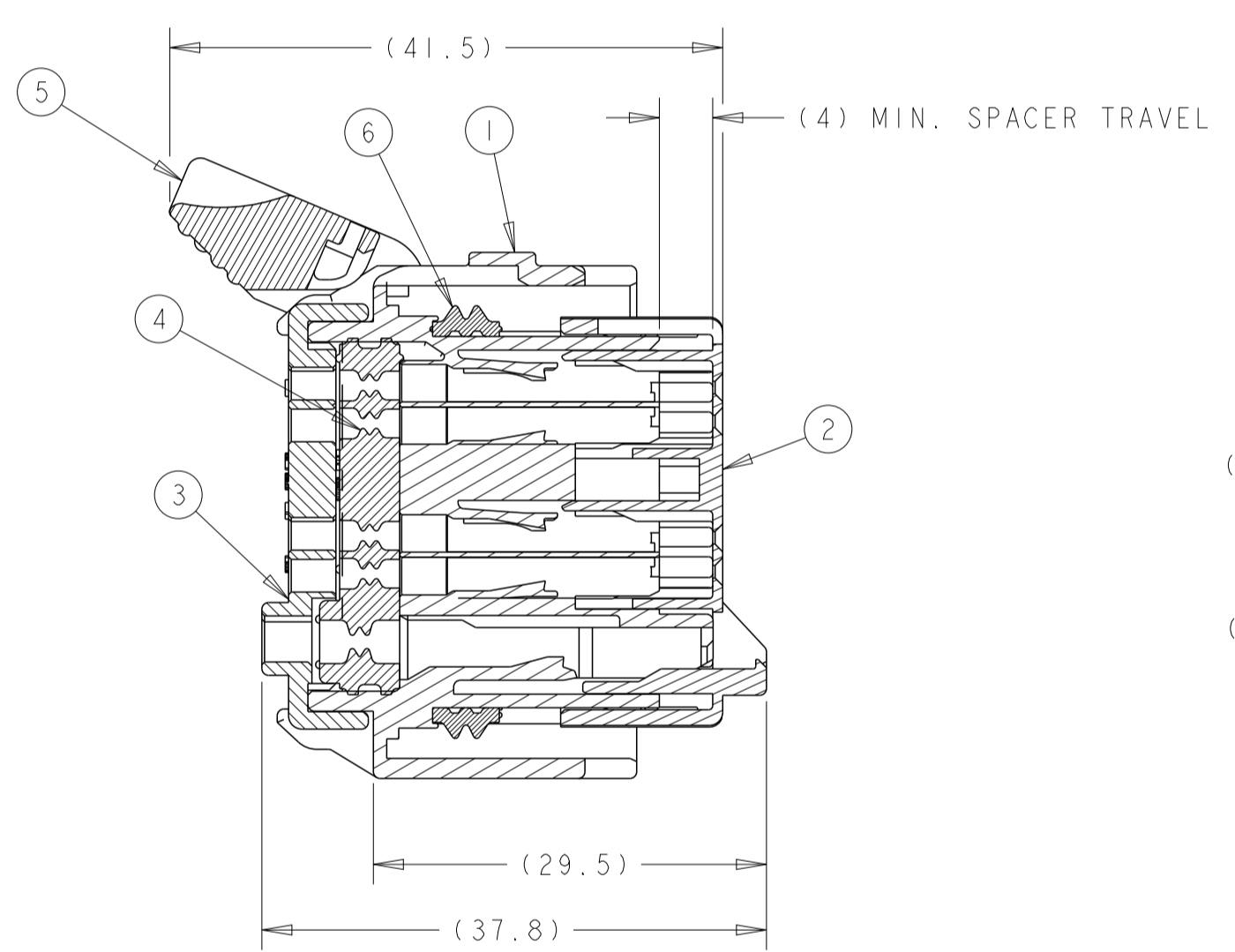


PART NUMBER:  
1438693-1  
SHOWN WITH SPACER  
IN SEATED POSITION  
SCALE 2:1

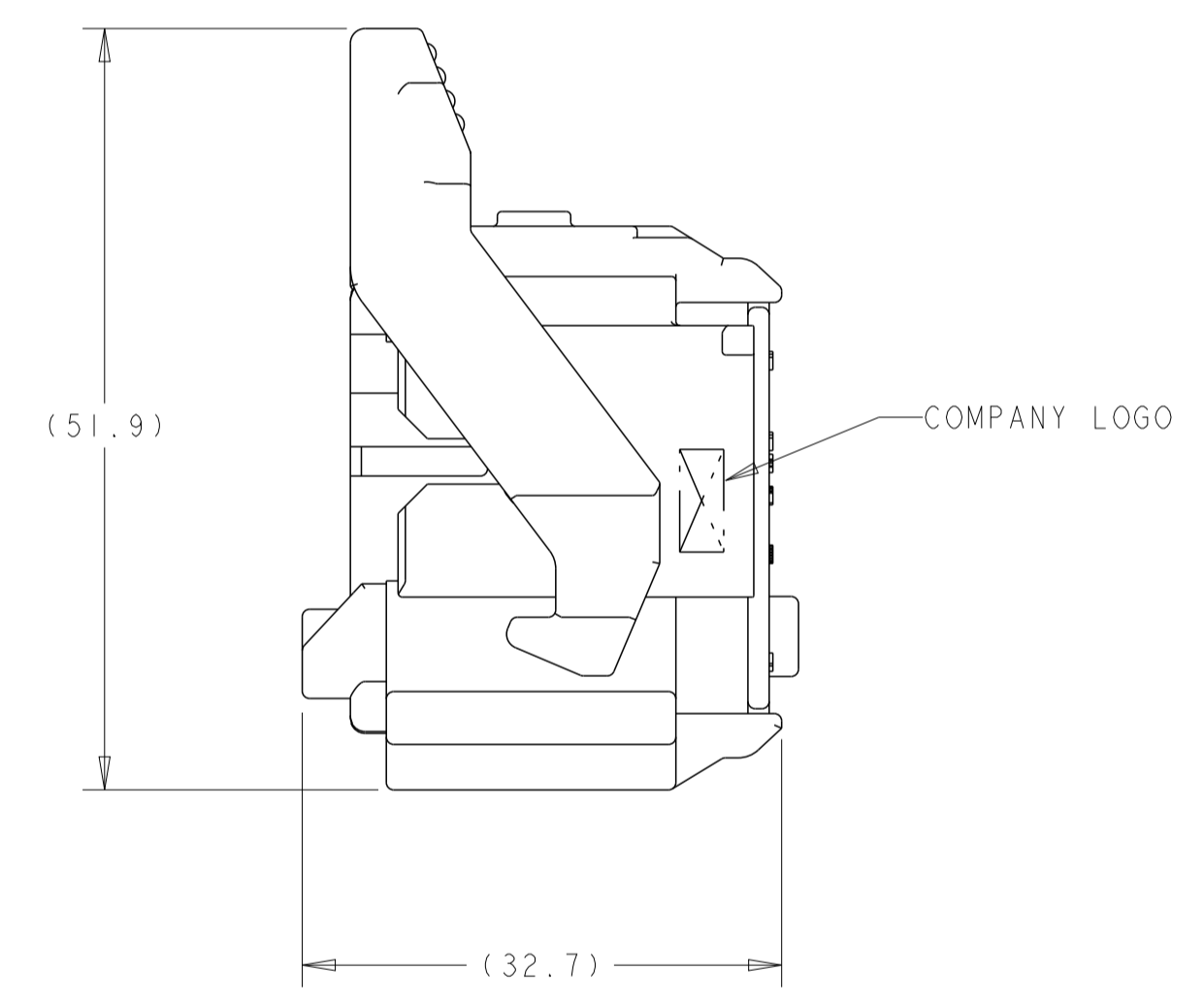
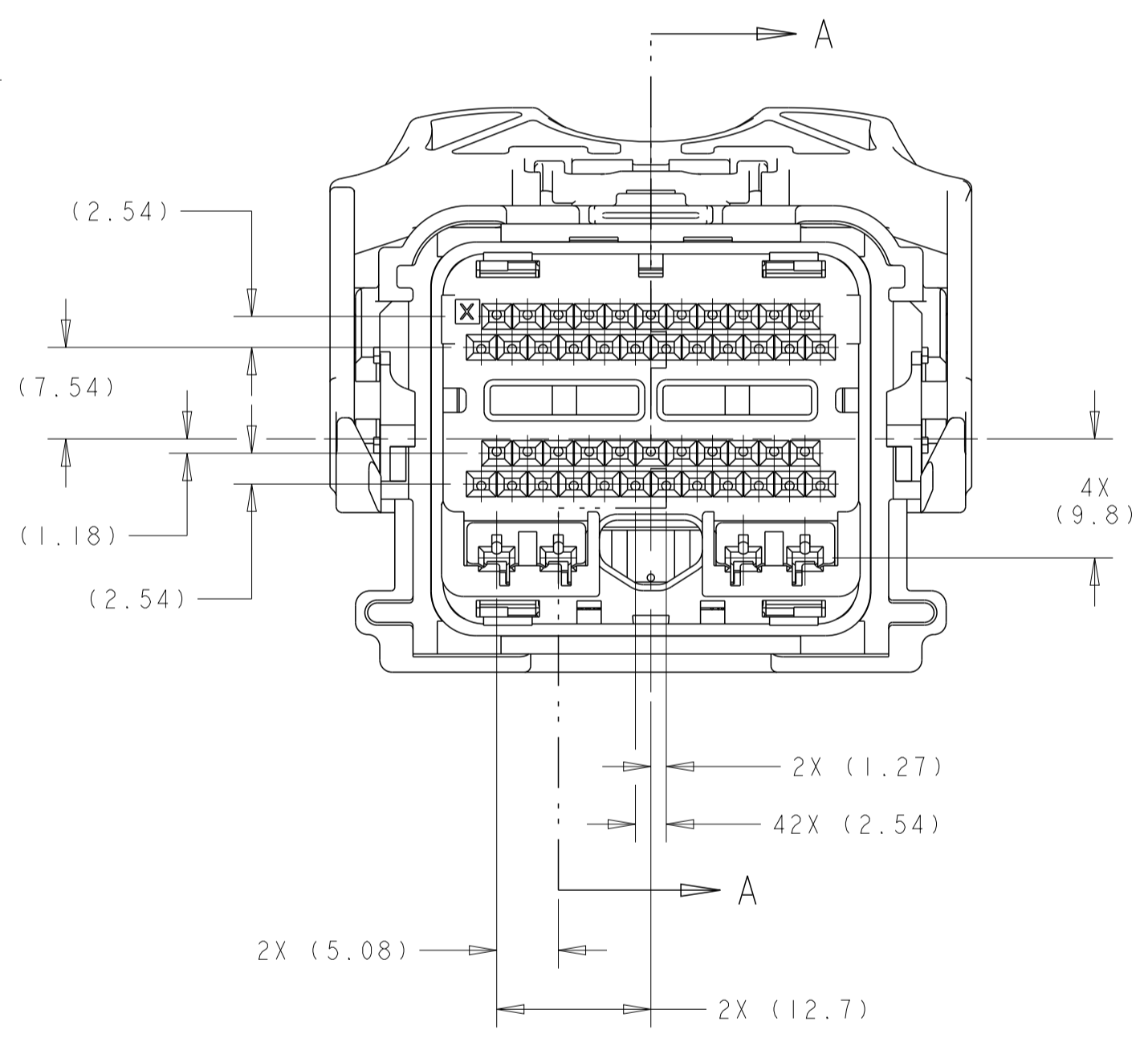


SHOWN WITH SPACER IN SEATED POSITION

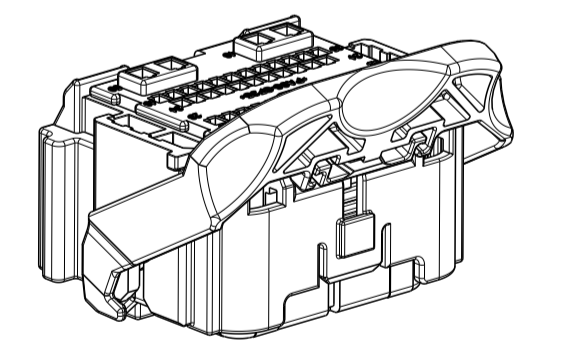
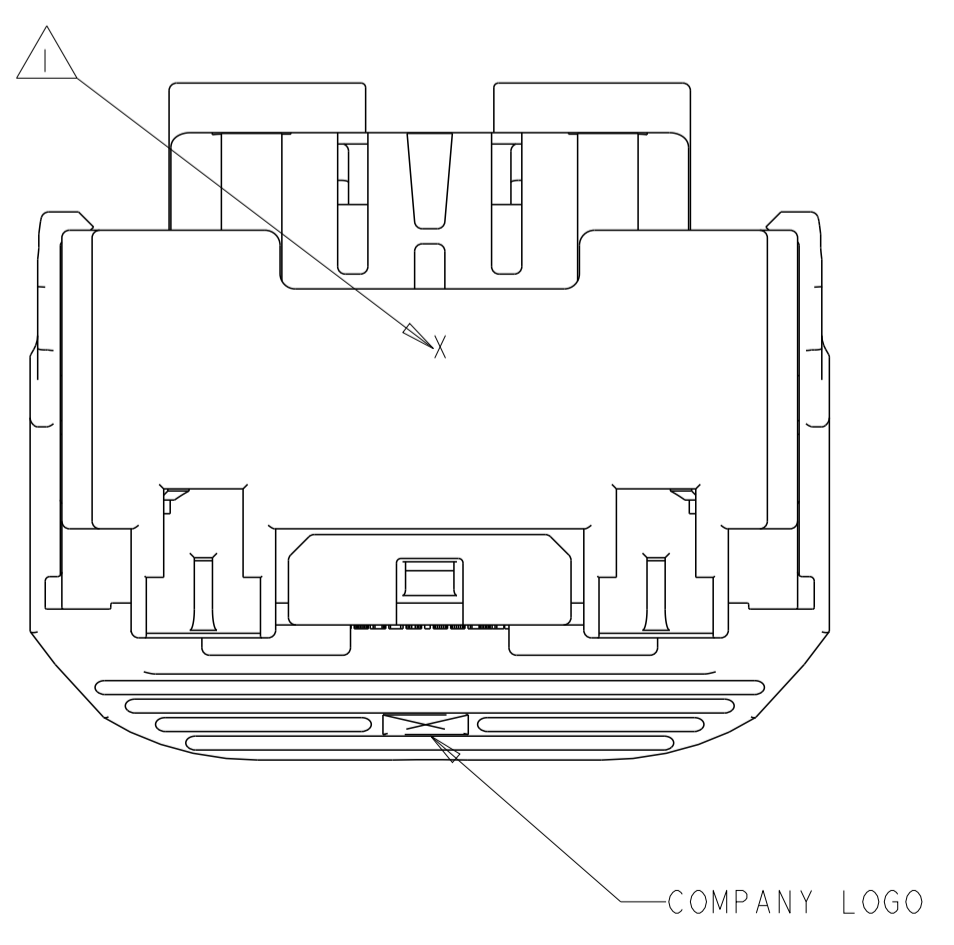
- △ PRINT TYCO ELECTRONICS PART NUMBER AND TRACEABILITY (YY : 2 DIGIT YEAR, JJJ = JULIAN DATE, HH = 2 DIGIT MILITARY HOUR CODE) IN THE LOCATION AT ASSEMBLY.
- △ OPTIONAL WIRE SHIELD PART NUMBERS (SOLD SEPARATELY) 1438126, 1438180, 1488373, AND 1488572. CONTACT TYCO ELECTRONICS ENGINEER FOR MINIMUM FEED THRU CONDITION.
- 3. APPLICABLE TERMINAL PART NUMBERS (SOLD SEPARATELY)  
FOR TIN APPLICATIONS: 1393367 AND 1393366.  
FOR GOLD APPLICATIONS: 1393365 AND 1393364  
FOR TERMINATION AND REELING OPTIONS SEE DRAWINGS 1393367, 1393366, 1393365, AND 1393364.
- 4. APPLICABLE MOLEX (1.5) POWER TERMINAL PART NUMBERS:  
33012-0002 TIN 0.50-1.50mm<sup>2</sup>
- 5. CAM LEVER AND SPACER ARE SHIPPED IN THEIR PRE-ASSEMBLED POSITIONS.
- △ OBSOLETE PART



SECTION A-A  
SPACER AND LEVER IN  
PRE-SEATED POSITION  
(DELIVERY CONDITION)



SHOWN WITH CAM  
LEVER AND SPACER  
IN LOADED POSITION



SCALE 1:1

PART COLOR	DESCRIPTION	ITEM NO.
GREEN	PERIMETER SEAL	6
GRAY	LEVER	5
BROWN	GROMMET SEAL	4
BLACK	COVER	3
NATURAL	SPACER	2
BLACK	HARNESS, KEY "C"	1

THIS DRAWING IS A CONTROLLED DOCUMENT.		DWN B. CRISAMORE 21 JUL 2004	
DIMENSIONS:		CHK M. HITCHCOCK 21 JUL 2004	
mm	TOLERANCES UNLESS OTHERWISE SPECIFIED:	APVD C. MARTIN 21 JUL 2004	NAME PCM 50-WAY HARNESS ASSEMBLY KEY C
0 PLC ±0.3	1 PLC ±0.3	PRODUCT SPEC	SIZE CAGE CODE DRAWING NO
2 PLC ±0.10	3 PLC ±0.10	APPLICATION SPEC	RESTRICTED TO
4 PLC ±0.10	ANGLES ±1°	WEIGHT	A100779C=1438693
MATERIAL	FINISH	CUSTOMER DRAWING	SCALE 2:1 SHEET 1 OF 4 REV A12



REVISIONS				
P	LTN	DESCRIPTION	DATE	APPD
-		SEE SHEET 1	-	-

KEYING OPTION C

		48	47	46	45	44	43	42	41		39	38	37	36	35		33	32	31	30	29	28		26	25	24	23	22	21	20	19	18			14	13	12			9	8	7		5	4	3		1	3-1438693-2
		48			45	44	43	42	41		39	38	37	36	35		33	32	31	30	29	28		26	25	24	23	22	21	20	19	18			14	13	12			9	8	7		5	4	3		1	3-1438693-1
		48	47	46	45	44	43	42	41		39	38	37	36	35		33	32	31	30	29	28		26	25	24	23	22	21	20	19	18			14	13	12		10	9	8		5	4	3		1	<del>3-1438693-0</del> $\Delta$	
		48	47	46	45	44	43		41		39	38	37	36	35		33	32	31	30	29			26				22	21	20	19	18			14	13	12		10	9			5	4			1	2-1438693-9	
		48	47	46	45	44	43		41		39	38	37	36	35		33	32	31	30	29			26				22	21	20	19	18			14	13	12		9		7		5	4			1	2-1438693-8	
		48	47	46	45	44	43	42	41		39	38	37	36	35		33	32	31	30	29			26				22	21	20	19	18			14	13	12		9	8			5	4	3		1	<del>2-1438693-7</del> $\Delta$	
		48	47	46	45	44	43	42	41		39	38	37	36	35		33	32	31	30	29	28		26				22	21	20	19	18			14	13	12		9	8	7		5	4	3		1	2-1438693-6	
49	48				45	44	43	42	41		39	38	37	36	35		33	32	31	30	29	28		26				22	21	20	19	18			14	13	12		10	9	8		5	4	3		1	<del>2-1438693-5</del> $\Delta$	
		48			45	44	43	42	41		39	38	37	36	35		33	32	31	30	29	28		26				22	21	20	19	18			14	13	12		9	8	7		5	4	3		1	<del>2-1438693-4</del> $\Delta$	
		48	47	46	45	44	43	42	41		39	38	37	36	35		33	32	31	30	29	28		26				22	21	20	19	18			14	13	12		10	9	8	7		5	4	3		1	2-1438693-3
49	48	47	46	45	44	43	42	41		39	38	37	36	35		33	32	31	30	29	28		26				22	21	20	19	18			14	13	12		10	9	8		5	4	3		1	<del>2-1438693-2</del> $\Delta$		
		48	47	46	45	44	43				39	38	37	36	35		33	32	31	30	29			26	25	24	23	22	21	20	19	18			14	13	12		10	9			5				1	2-1438693-1	
		48	47	46	45	44	43				39	38	37	36	35		33	32	31	30	29			26	25	24	23	22	21	20	19	18			14	13	12		9		7		5				1	2-1438693-0	
		48	47	46	45	44	43	42	41		39	38	37	36	35		33	32	31	30	29			26	25	24	23	22	21	20	19	18			14	13	12		10	9	8		5	4			1	1-1438693-9	
		48	47	46	45	44	43	42	41		39	38	37	36	35		33	32	31	30	29			26	25	24	23	22	21	20	19	18			14	13	12		9	8	7		5	4			1	1-1438693-8	
		48	47	46	45	44	43				39	38	37	36	35		33	32	31	30	29			26				22	21	20	19	18			14	13	12		10	9			5				1	1-1438693-7	
		48	47	46	45	44	43				39	38	37	36	35		33	32	31	30	29			26				22	21	20	19	18			14	13	12		9		7		5				1	1-1438693-6	
		48	47	46	45	44	43	42	41		39	38	37	36	35		33	32	31	30	29			26				22	21	20	19	18			14	13	12		10	9	8		5	4			1	1-1438693-5	
		48	47	46	45	44	43	42	41		39	38	37	36	35		33	32	31	30	29			26				22	21	20	19	18			14	13	12		9	8	7		5	4			1	1-1438693-4	
		48	47	46	45	44	43	42	41		39	38	37	36	35		33	32	31	30	29			26		24	23	22	21	20	19	18			14	13	12		9	8	7	6	5	4	3		1	<del>1-1438693-3</del> $\Delta$	
		48	47	46	45	44	43	42	41		39	38	37	36	35		33	32	31	30	29			26		24	23	22	21	20	19	18			14	13	12		10	9	8		6	5	4	3		1	<del>1-1438693-2</del> $\Delta$
		48	47	46	45	44	43	42	41		39	38	37	36	35		33	32	31	30	29			26				22	21	20	19	18			14	13	12		10	9	8	7		5	4	3		1	<del>1-1438693-1</del> $\Delta$
		48			45	44	43	42	41		39	38	37	36	35		33	32	31	30	29			26		24	23	22	21	20	19	18			14	13	12		10	9	8		6	5	4	3		1	<del>1-1438693-0</del> $\Delta$
		48	47	46	45	44	43	42	41		39	38	37	36	35		33	32	31	30	29			26	25	24	23	22	21	20	19	18			14	13	12		9	8	7		5	4	3		1	1438693-9	
		48			45	44	43	42	41		39	38	37	36	35		33	32	31	30	29			26	25	24	23	22	21	20	19	18			14	13	12		9	8	7		5	4	3		1	1438693-8	
		48			45	44	43	42	41		39	38	37	36	35		33	32	31	30	29			26	25	24	23	22	21	20	19	18			14	13	12		10	9	8		5	4	3		1	<del>1438693-7</del> $\Delta$	
		48	47	46	45	44	43	42	41		39	38	37	36	35		33	32	31	30	29			26	25	24	23	22	21	20	19	18			14	13	12		10	9	8		5	4	3		1	<del>1438693-6</del> $\Delta$	
49	48				45	44	43	42	41		39	38	37	36	35		33	32	31	30	29			26				22	21	20	19	18			14	13	12		10	9	8		5	4	3		1	1438693-5	
		48			45	44	43	42	41		39	38	37	36	35		33	32	31	30	29			26				22	21	20	19	18			14	13	12		9	8	7		5	4	3		1	<del>1438693-4</del> $\Delta$	
		48	47	46	45	44	43	42	41		39	38	37	36	35		33	32	31	30	29			26				22	21	20	19	18			14	13	12		9	8	7		5	4	3		1	<del>1438693-3</del> $\Delta$	
	49	48	47	46	45	44	43	42	41		39	38	37	36	35		33	32	31	30	29			26				22	21	20	19	18			14	13	12		10	9	8		5	4	3		1	<del>1438693-2</del> $\Delta$	
																																														1	1438693-1		


CAVITIES WITH A NUMERIC SYMBOL INDICATES CLOSED TERMINAL LOCATIONS

BLANK CAVITIES INDICATES OPEN TERMINAL HOLE LOCATIONS

TERMINAL HOLE POSITION

PIN-OUT CHART

ASSEMBLY PART NUMBER

THIS DRAWING IS A CONTROLLED DOCUMENT.		OWN B. CRISAMORE 21 JUL 2004		TE Connectivity	
DIMENSIONS: mm		CHK M. HITCHCOCK 21 JUL 2004		NAME PCM	50-WAY HARNESS ASSEMBLY

REVISIONS				
P	LTN	DESCRIPTION	DATE	APVD
-		SEE SHEET 1	-	-

<b>KEYING OPTION C</b>			48	47	46	45	44	43				39	38	37	36	35		33	32	31	30	29			26				22	21	20	19	18				14	13	12		10	9			6	5				1	4-1438693-6
			48	47	46	45	44	43				39	38	37	36	35		33	32	31	30	29			26				22	21	20	19	18				14	13	12		9		7	6	5			1	4-1438693-5		
			48	47	46	45	44	43	42	41		39	38	37	36	35		33	32	31	30	29			26				22	21	20	19	18				14	13	12		10	9	8		6	5	4			1	4-1438693-4
			48	47	46	45	44	43	42	41		39	38	37	36	35		33	32	31	30	29			26				22	21	20	19	18				14	13	12		9	8	7	6	5	4			1	4-1438693-3	
			48	47	46	45	44	43	42	41		39	38	37	36	35		33	32	31	30	29	28		26				22	21	20	19	18				14	13	12		9	8	7	6	5	4	3		1	4-1438693-2	
			48	47	46	45	44	43	42	41		39	38	37	36	35		33	32	31	30	29			26				22	21	20	19	18				14	13	12		9	8	7	6	5	4	3		1	4-1438693-1	
		49	48	47	46	45	44	43	42	41		39	38	37	36	35		33	32	31	30	29			26				22	21	20	19	18				14	13	12		10	9	8		6	5	4	3		1	4-1438693-0
		49	48	47	46	45	44	43	42	41		39	38	37	36	35		33	32	31	30	29	28		26				22	21	20	19	18				14	13	12		10	9	8		6	5	4	3		1	3-1438693-9
			48	47	46	45	44	43	42			39	38	37	36	35		33	32			29	28		26				22	21	20	19	18				14	13	12		10	9	8	7		5	4	3		1	3-1438693-8
			48	47	46	45	44	43	42			39	38	37	36	35		33	32			29	28		26	25	24	23	22	21	20	19	18				14	13	12		10	9	8	7		5	4	3		1	3-1438693-7

CAVITIES WITH A NUMERIC SYMBOL INDICATES CLOSED TERMINAL LOCATIONS

BLANK CAVITIES INDICATES OPEN TERMINAL HOLE LOCATIONS

TERMINAL HOLE POSITION

PIN-OUT CHART

ASSEMBLY PART NUMBER

THIS DRAWING IS A CONTROLLED DOCUMENT.		DWN B. CRISAMORE 21 JUL 2004 CHK M. HITCHCOCK 21 JUL 2004 APVD C. MARTIN 21 JUL 2004		
DIMENSIONS: mm 	TOLERANCES UNLESS OTHERWISE SPECIFIED: 0 PLC ±0.3 1 PLC ±0.10 2 PLC ±0.10 3 PLC ±0.10 4 PLC ±0.10 ANGLES ±1° FINISH	NAME PCM PRODUCT SPEC 50-WAY HARNESS ASSEMBLY APPLICATION SPEC KEY C	SIZE A CAGE CODE 00779 DRAWING NO. 1438693	RESTRICTED TO SCALE 2:1 SHEET 4 OF 4 REV A12
MATERIAL		WEIGHT	CUSTOMER DRAWING	