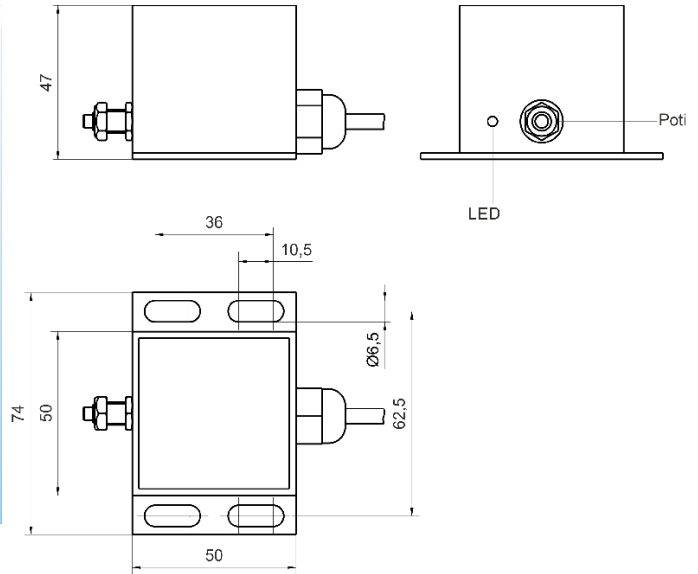
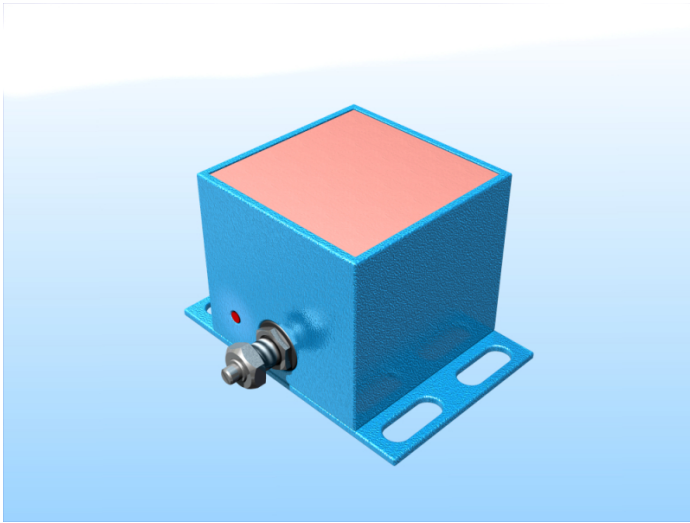


[Article Page](#)

Product Description


inductive sensor DC




Name
Order number
Matchcode
Switching distance
Mounting

KJ40-Q50AB-DPS
08317070900
9807-0900
40 mm


Switch type

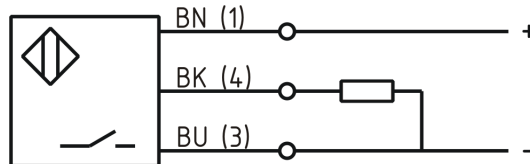
 shielded

Signal Type
Connection

 N.O.
DC PNP

Connection diagramm

 Cable



Q 50 x 47 x 74

Dimension (in mm)
Technical Specification
Operating voltage
Max. ripple
Voltage drop
Max. load current
No load current
Leakage current
Switching frequency
Switching hysteresis
Operating temperature
Temperature drift
Repeat accuracy
Switching state
Short-circuit proof
Overload protection
Reverse voltage protection
Protection category
EMC-level
Housing material

10 - 30 V DC
≤ 10 %
2,4 V
400 mA
≤ 18 mA
≤ 10 μA
300
≤ 15 %
-25 ° C to 70 ° C
≤ 10 %
≤ 2 %
LED
yes
yes
yes
IP67
DIN EN 60947-5-2: 2008
Aluminum



KJ40-Q50AB-DPS

Pulsotronic GmbH & Co. KG Neue Schichtstraße 14b 09366 Niederdorf Deutschland +49 (0)37296 930-200

Material active face
Cable length
Utilisation category
Cable material
Cable cross
Notes

Drovidur
2 m
DC 13
PVC grau LIYY
3x0.34 mm²
Schaltabstand über Potentiometer einstellbar.

Errors and omissions excepted