



Bernstein

Bernstein AG
Postfach 1164
D-32437 Porta Westfalica

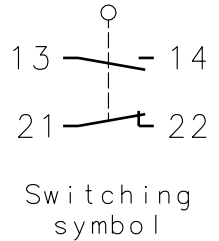
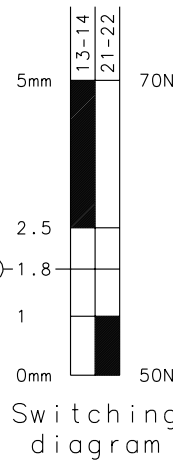
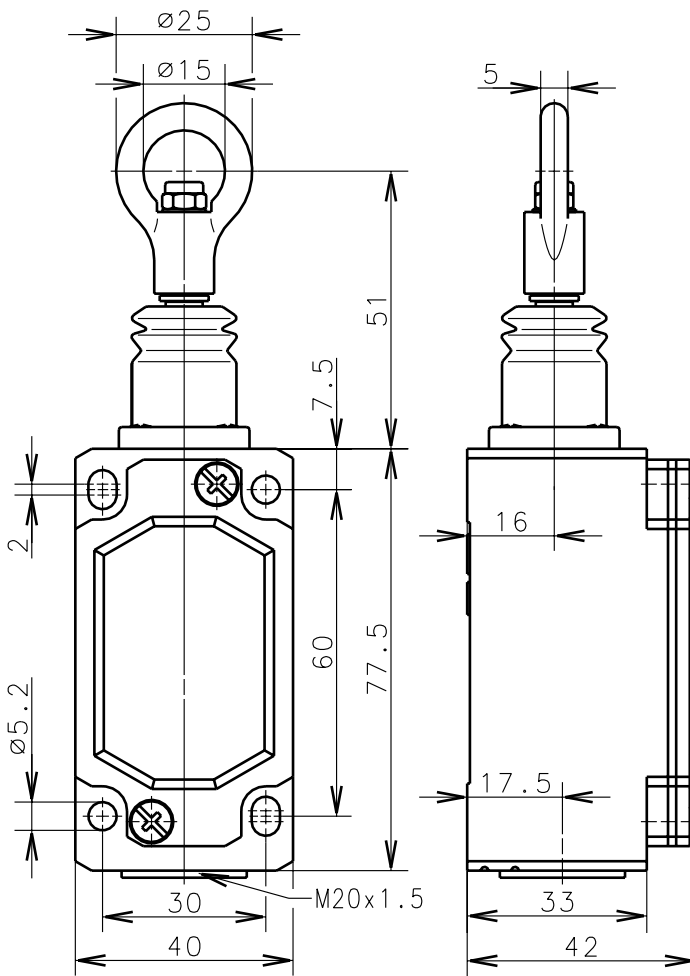
Technical data sheet

SEM2-U1Z

601.2811.029



Positive opening operation according to DIN EN 60947-5-1 IEC 60947-5-1



Tolerance of tensile force $\pm 15\%$

Schutzvermerk nach DIN 34 beachten
Copyright reserved

Mechanical features

Enclosure: Al-die cast
Cover: Al-plate
Actuator: Pull ring

Ambient air temperature: -30°C up to $+80^{\circ}\text{C}$
Contact type: 1 NC-contact, 1 NO-contact (Zb)

Mechanical life: 1×10^6 switch operations
Switch frequency: max. 50/min
Mounting: 4 x M5
Connection type: 4 screw connections (M3.5)
Conductor cross-section: single core 0.5-1.5mm² / litz wire with connector sleeve 0.5-1.5mm²
Cable entry size: 1 x M20x1.5
Weight: approx. 0,22 kg

Electrical features

Rated insulation voltage: $U_i = 400 \text{ V AC}$
Conventional thermal current: $I_{the} = 10 \text{ A}$
Inrush current: accord. to IEC 60947-5-1; AC 15, A300
Utilization categorie: AC 15, A300, U_e/I_e 240V/3A
Standards: accord. to EN 60947-1; EN 60947-5-1
Protection class (IP-Code): IP65 accord. to EN 60529; DIN VDE 0470 T1
Short-circuit protection: Fuse 10A gL/gG, IEC/EN 60947-5-1, appendix K

Remarks

The moving parts should be oiled periodically.
Rope with accessories available on request.
The rated protection class (IP-Code) is valid only at closed cover and when using an at least equivalent cable gland.

14.01.2002