



Top Page > Products > Potentiometer > Slide Potentiometer  
> RS\*\*N1\*M/RSA0K1\*V Series > RS60N11M9A0F

Related information

[Dimensions](#) | [Mounting Hole Dimensions](#) | [Circuit Diagram](#) | [Packing Specifications](#) |

PRINT

### Motor-driven Master Type (Motor N Fader, Motor K Fader)

#### Detail

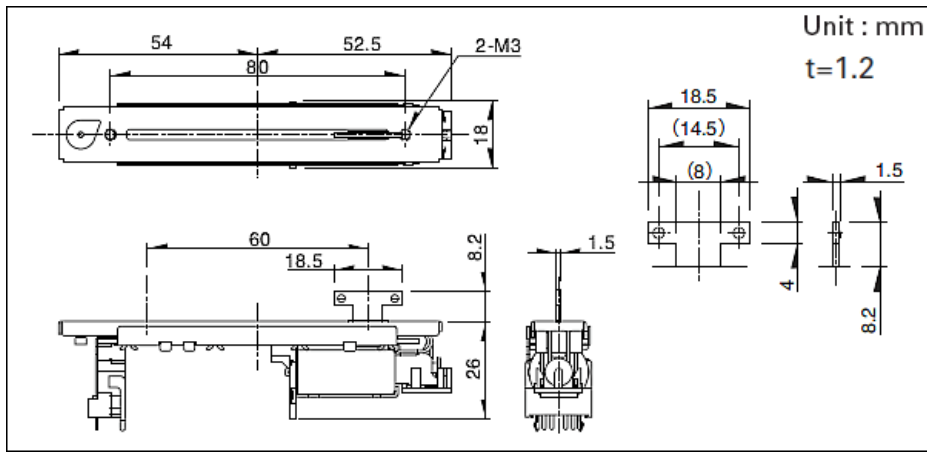
Part number	RS60N11M9A0F
Number of resistor elements	Single-unit
Direction of lever	Vertical
Travel	60mm
Type	Motor N fader
Lever type	9-T (T-Bar)
Length of lever	8.2mm
Total resistance	10kΩ
Resistance taper	1B
Terminal style	For PC board
Touch sense track	With
Minimum order unit (pcs.)	240

Operating temperature range		-10°C to +60°C
Electrical performance	Total resistance tolerance	±20%
	Maximum operating voltage	200V AC, 10V DC
	Rated voltage of motor	10V DC
	Maximum current of motor	800mA or less (at 10V DC)
Mechanical performance	Operating force	0.3 to 1.3N
	Stopper strength	100N
	Lever push-pull strength	50N
	Lever wobble (Both side)	2(2×L)/25mm
	Lever deviation (One side)	0.5mm max.
Solder heat resistance	Manual soldering	350°C max. 3s max.
	Dip soldering	260°C max. 5s max.
Durability	Operating life	30,000 cycles
Environmental performance	Cold	-30±2°C for 96h
	Dry heat	70±2°C for 240h
	Damp heat	40±2°C, 90 to 95%RH for 96h

3D CAD (STEP)	Download
Certificate of Compliance to RoHS regulations	PDF

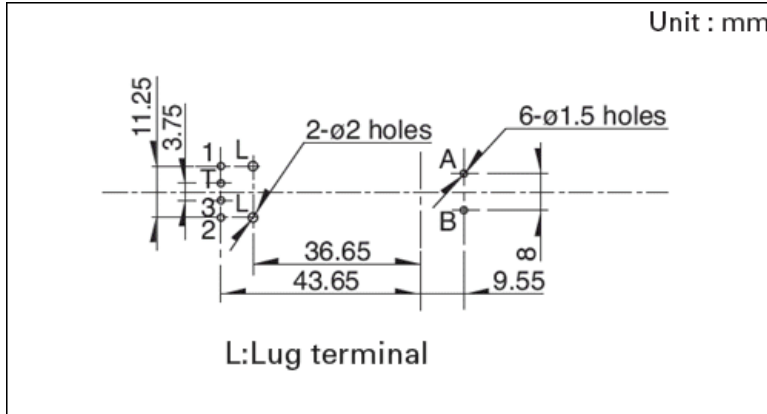
TOP

#### Dimensions



TOP

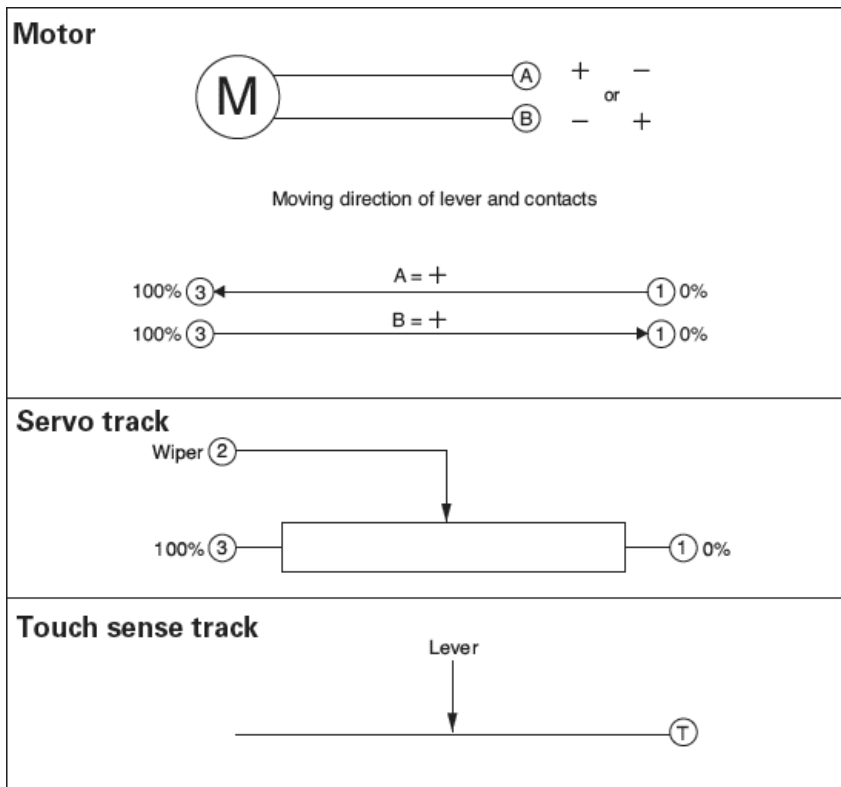
• Mounting Hole Dimensions



Viewed from mounting side.

TOP

• Circuit Diagram



TOP

• Packing Specifications


Tray

Number of packages (pcs.)	1 case / Japan	120
	1 case / export packing	240
Export package measurements (mm)		375×285×393

TOP

>> **NOTE** Notes are common to this series/models.

1. This site catalog shows only outline specifications. When using the products, please obtain formal specifications for supply.
2. Please place purchase orders per minimum order unit (integer).
3. Products other than those listed in above products are also available. Please contact us for details.
4. "L" in the "Lever Wobble" column of the above table indicates the length of lever.

 **Inquiries about Products**

For more information please contact: Products Information Center.  
1-7, Yukigaya-otsukamachi, Ota-ku, Tokyo, 145-8501, Japan  
Phone: +81 (3) 5499-8154

COPYRIGHT(C) 1995-2012 ALPS ELECTRIC CO., LTD.