

**PLEASE CHECK WWW.MOLEX.COM FOR LATEST PART INFORMATION**

**Part Number:** [46235-0001](#)  
**Status:** **Active**  
**Overview:** Micro-Fit 3.0™ Connectors  
**Description:** Micro-Fit 3.0™ Reduced Mating Force, Crimp Terminal, Female, with 0.38µm Selective Gold (Au) over Nickel (Ni), 20-24 AWG, without Lubricant

**Documents:**

[Drawing \(PDF\)](#) [RoHS Certificate of Compliance \(PDF\)](#)  
[Product Specification PS-46235-001 \(PDF\)](#) [Product Literature \(PDF\)](#)  
[Test Summary TS-46235-001 \(PDF\)](#)

**General**

Product Family	Crimp Terminals
Series	<a href="#">46235</a>
Application	Power
Comments	Up to 50% reduction in mating force
Crimp Quality Equipment	Yes
Overview	<a href="#">Micro-Fit 3.0™ Connectors</a>
Product Literature Order No	987650-5984
Product Name	Micro-Fit 3.0™
UPC	800756683485

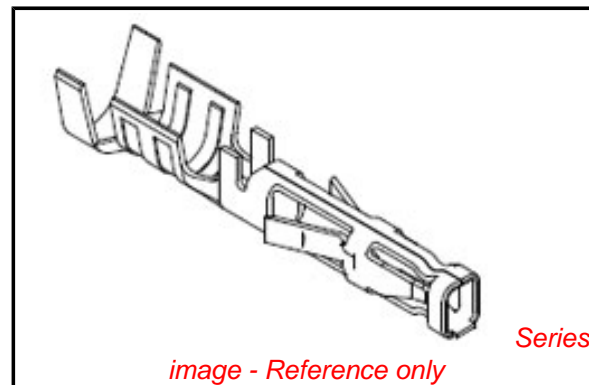
**Physical**

Durability (mating cycles max)	40
Gender	Female
Material - Metal	Copper-Zinc-Tin
Material - Plating Mating	Gold
Material - Plating Termination	Nickel
Net Weight	0.046/g
Packaging Type	Reel
Plating min - Mating	0.381µm
Plating min - Termination	1.270µm
Termination Interface: Style	Crimp or Compression
Wire Insulation Diameter	1.85mm max.
Wire Size AWG	20, 22, 24
Wire Size mm²	N/A

**Material Info**

**Reference - Drawing Numbers**

Product Specification	PS-46235-001
Sales Drawing	SD-46235-001
Test Summary	TS-46235-001



**EU RoHS**

**ELV and RoHS Compliant**  
**REACH SVHC Contains SVHC: No**  
**Low-Halogen Status Low-Halogen**

**China RoHS**



**Need more information on product environmental compliance?**

Email [productcompliance@molex.com](mailto:productcompliance@molex.com)  
 For a multiple part number RoHS Certificate of Compliance, [click here](#)

Please visit the [Contact Us](#) section for any non-product compliance questions.

**Search Parts in this Series**

[46235Series](#)

**Use With**

Micro-Fit 3.0™ Receptacle Housing [43025](#) , [43645](#) , [44133](#)

**Application Tooling | FAQ**

*Tooling specifications and manuals are found by selecting the products below. Crimp Height Specifications are then contained in the Application Tooling Specification document.*

**Global**

Description	Product #
Extraction Tool	<a href="#">0011030043</a>
Hand Crimp Tool for Low Force Crimp Terminals	<a href="#">0638192900</a>
FineAdjust™ Applicator for Low Force Crimp Terminals, 20-24 AWG Wire	<a href="#">0639001400</a>

T2 Terminator 0639101400  
Tooling to be used  
with Low Force  
Crimp Terminals,  
20-24 AWG Wire

This document was generated on 01/07/2014

**PLEASE CHECK [WWW.MOLEX.COM](http://WWW.MOLEX.COM) FOR LATEST PART INFORMATION**