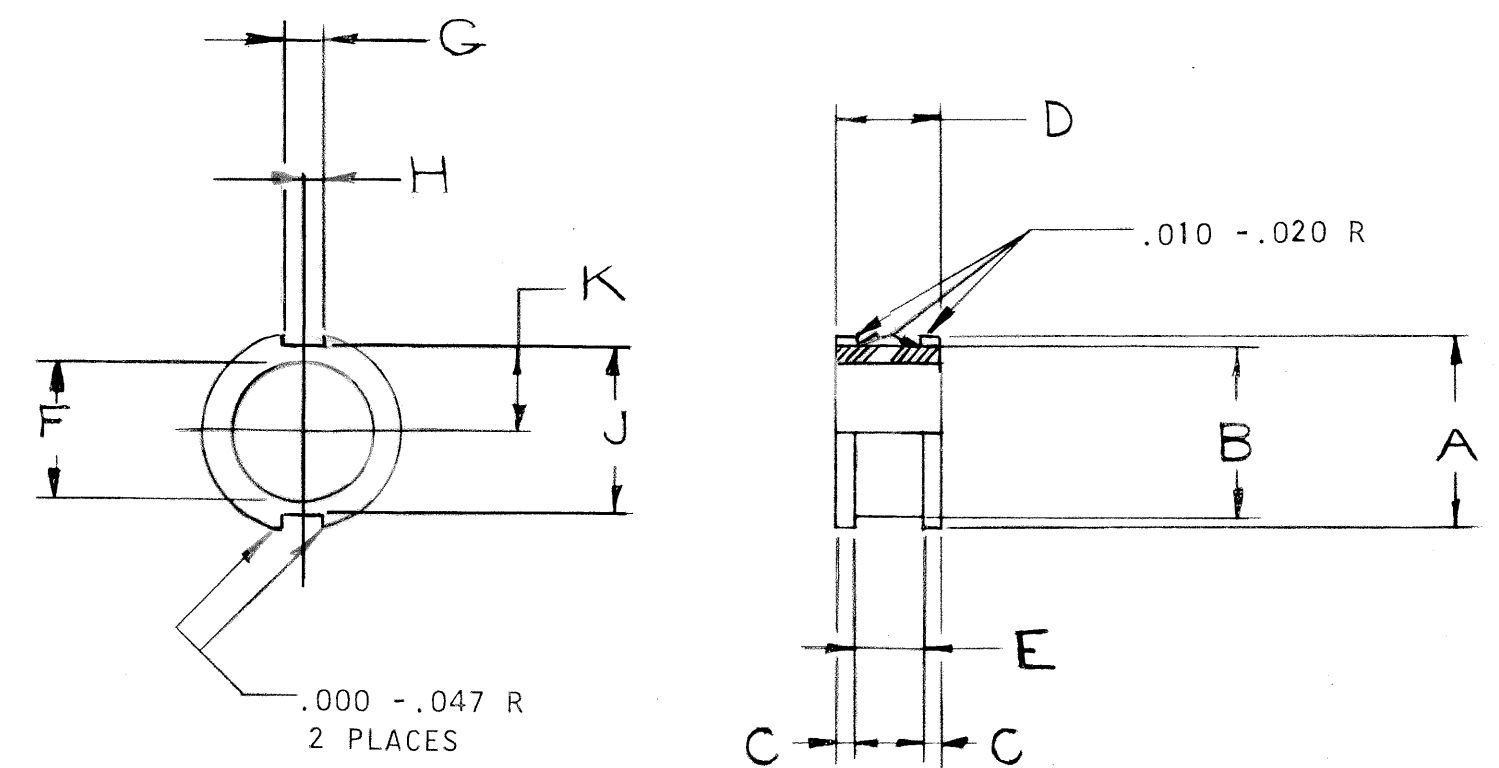


PART NUMBER	A		B		C		D		E		F		G		H		J		K		RELEASE	
	DIA	DIA	DIA	DIA	DIA	DIA	DIA	DIA	DIA	DIA	DIA	DIA	DIA	DIA	DIA	DIA	DIA	DIA	DIA	DIA		
10-230935-101	.344	.250	.062	.468	.344	.125	.125	.062	.250	.125	.125	.062	.250	.125	.125	.062	.250	.125	.125	.062	.250	43532-53
-121	.406	.312																				
-122	.406	.312																				
-141	.532	.438																				
-142																						
-143																						
-161	.656	.562																				
-162																						
-163																						
-181	.719	.625																				
-182																						
-183																						
-201	.844	.750	.094	.532	.344	.250	.250	.250	.250	.250	.250	.250	.250	.250	.250	.250	.250	.250	.250	.250	.250	
-202																						
-203																						
-232	1.094	1.000				.800	.281	.141	1.000	.500	.500	.500	.500	.500	.500	.500	.500	.500	.500	.500	.500	
-241	1.032	.938				.250	.250	.250	.250	.250	.250	.250	.250	.250	.250	.250	.250	.250	.250	.250	.250	.250
-242						.500	.500	.500	.500	.500	.500	.500	.500	.500	.500	.500	.500	.500	.500	.500	.500	.500
-243						.625	.625	.625	.625	.625	.625	.625	.625	.625	.625	.625	.625	.625	.625	.625	.625	.625
-244						.750	.750	.750	.750	.750	.750	.750	.750	.750	.750	.750	.750	.750	.750	.750	.750	.750
-252	1.235	1.141	.094	.532	.344	1.000	.281	.141	1.141	.572	.572	.572	.572	.572	.572	.572	.572	.572	.572	.572	.572	

REL NO. 43532-53		REVISIONS		DATE	APPROVED
CHG NO.	SYM	DESCRIPTION			
47513 -26	A2	REDRAWN, SAME SIZE		JAGGER 8/4/67	<i>J. Jagger</i>
53127 -1	A3	WAS 9-4300 (MATL SPEC)		10-28-71 C. Gaudin	<i>Hay</i>
57506 -8	B	(MFG) ADD & REL -252		10-16-75 KNIFFEN	<i>F. Hill</i>



DRAWING CONTROLLED BY ELECTRICAL CONNECTOR DESIGN GROUP

USE OF THIS DOCUMENT IS UNLIMITED. DOCUMENTS REFERENCED HEREON CONTAIN LIMITED RIGHTS DATA.

ITEM	QTY REQD	PART NUMBER	DESCRIPTION	NOTE
PARTS LIST				
UNLESS OTHERWISE SPECIFIED LINEAR DIMENSIONS ARE IN INCHES. TOLERANCES: .XXX ± .010, .XX ± .03, .X ± .1, ANGLES ± 2°. OTHER STANDARDS PER 9-3800 AND MIL-STD-8. NOTE REF		DRAWN: MATTHEWS DATE: 4/21/61	ELECTRICAL COMPONENTS DIVISION SIDNEY NEW YORK U.S.A.	
MATERIAL SPEC SILICONE RUBBER 9-6500 SEE NOTE 1		CHECKED: <i>Balantia</i> DATE: 8-24-67	THE Bendix CORPORATION	
PROCESS SPEC		MATERIAL: <i>RPE 8/24/67</i>	TITLE: GROMMET, SILICONE RUBBER, CABLE CLAMP, PTS-SE	
72-232600/50 & OTHERS		STANDARDS: <i>Balantia</i>	SIZE C	
NEXT ASSEMBLY		DRAFTING: <i>Matthews</i>	CODE IDENT NO. 77820	
		ENGINEERING: <i>J.M. Harmon</i>	10-230935	
		DEVELOPMENT:	SCALE NONE	
			WT	
			REF 10-36565	
			SHEET	

1. ENGINEERING SOURCE APPROVAL REQUIRED.
NOTES: