

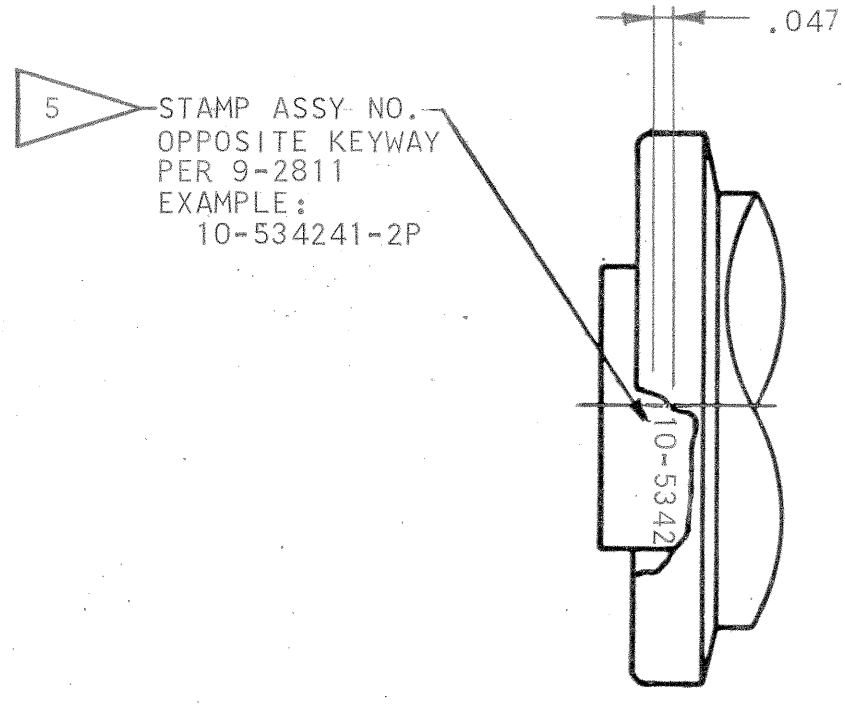
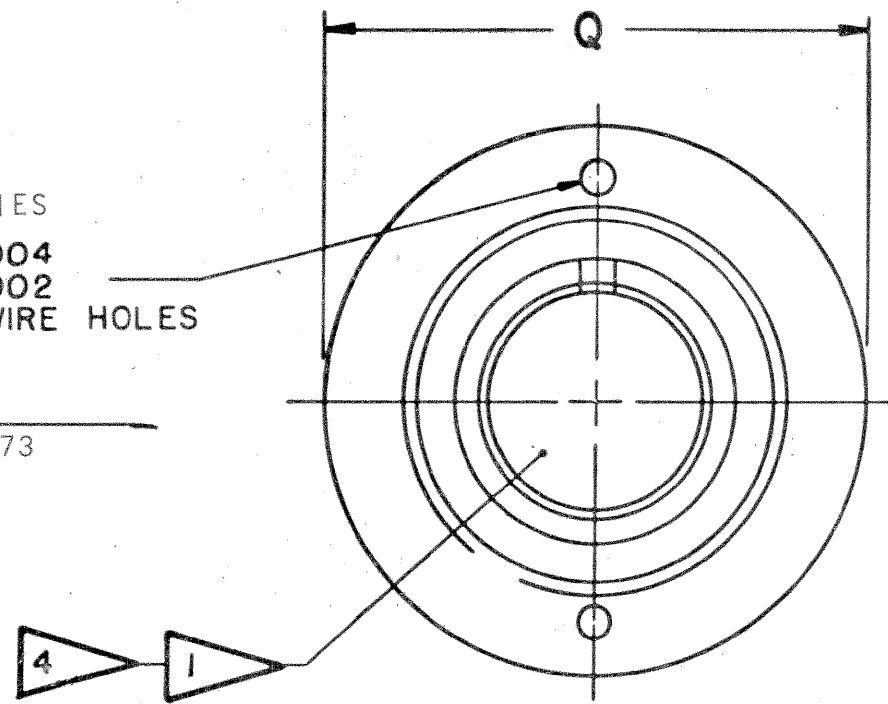
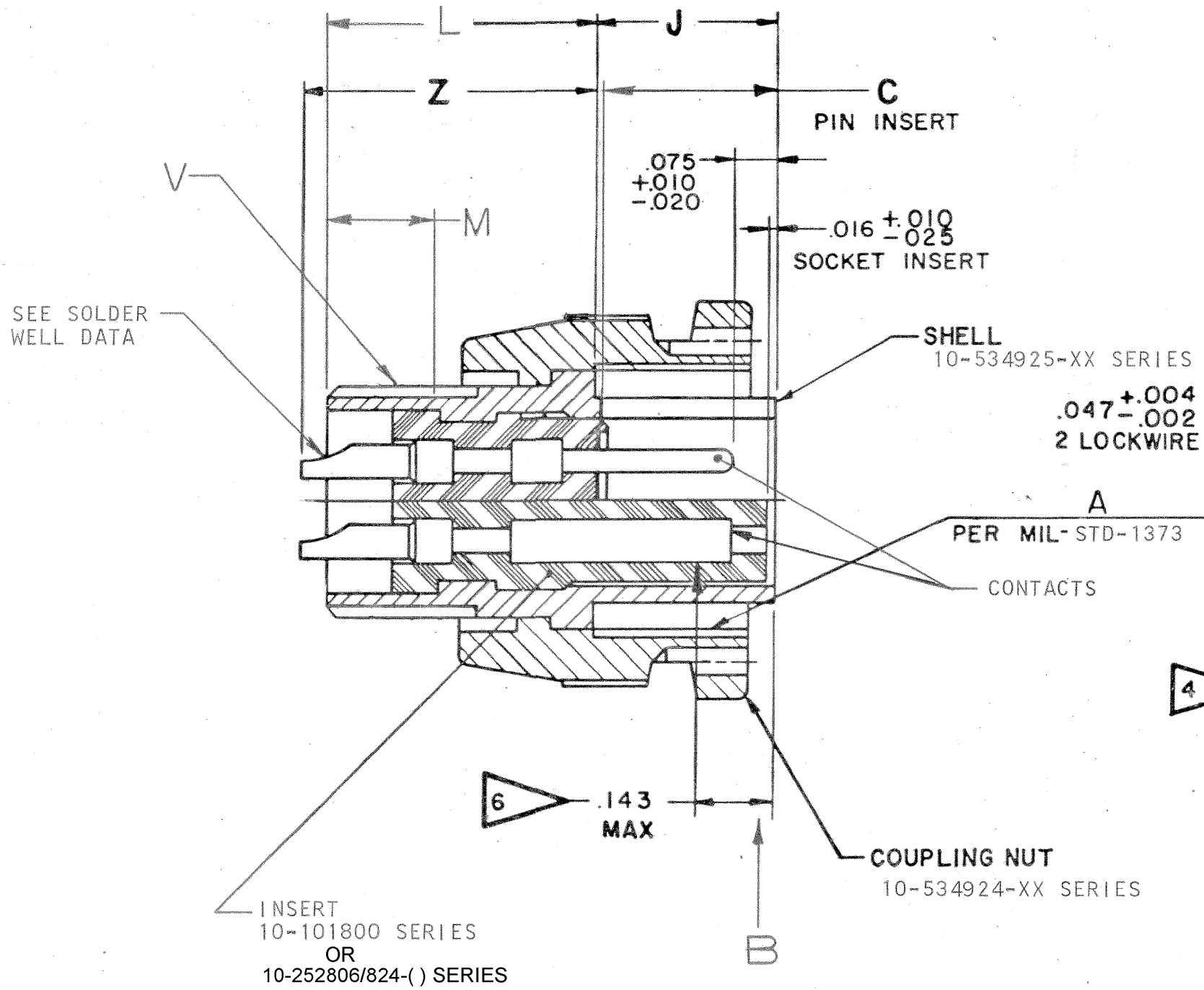
4

3

2

1

58500-45		REVISIONS		
ZONE	LTR	DESCRIPTION	DATE	APPROVED
	A			
	B	(CL II) ADDED 10-252806/824-( ) SERIES ECN: A5129	7-3-08	H.BROOKER



VIEW AT B

**ACCESSORIES**  
(NOT PART OF STANDARD ASSEMBLY)

SEE DRAWING  
10-150000

FIND NO.	QTY REQD	CODE IDENT	PART NUMBER	DESCRIPTION	NOTE REF	
<b>PARTS LIST</b>						
UNLESS OTHERWISE SPECIFIED LINEAR DIMENSIONS ARE IN INCHES. TOLERANCES: .XXX ± .010, .XX ± .03, .X ± .1, ANGLES ± 2°. OTHER STANDARDS PER 9-3800 AND MIL-D-1000. NOTE REF			SIGNATURES	DATES	The Bendix Corporation Electrical Components Division Sidney, New York  TITLE: CONNECTOR, ELECTRICAL PLUG, TYPE PC-A(J)MC, STAINLESS STEEL	
MATERIAL SPEC			PREPARED	COON		11-30-76
			CHECKED	<i>Smoot</i>		1-3-77
PROCESS SPEC			APPROVED	<i>A. Harris</i>		1-3-77
TEST			APPROVED	<i>W. W. Harrison</i>	1-3-77	
9-3353-2						
9-3443-1						
9-2437-1						
9-2811						
SIZE		CODE IDENT NO.	10-534240 THRU			
C		77820	10-534249			
SCALE	NONE	WT	SEE PARTS LIST	REF	10-104506/50	
				SHEET	1 OF 2	

SEE SHEET 2  
NOTES:

USE OF THIS DOCUMENT IS UNLIMITED. DOCUMENTS REFERENCED HEREON CONTAIN LIMITED RIGHTS DATA.

NEXT ASSEMBLY

10-534240/49

