

受控 CONTROLLED DOCUMENT

编号 P/N	CPMCTNC1-CUST	版本 Rev	01	日期 Rel'd Date	Apr29,09
-----------	---------------	-----------	----	------------------	----------

Description: TNC Crimp Plug For Cable RG58
 Part No: CPMC-TNC-1
 Application: For Cable RG58
 Crimp Tool: 24-9958P
 Impedance: 50 Ohms
 Frequency Range: 0-11 GHz
 Material: Body Brass Nickel plated
 Contact Brass Gold plated
 Insulator Teflon
 Nut Brass Nickel plated
 Sleeve Brass Nickel plated
 RoHS Compliance: Yes
 Technical Detail: Refer to Emerson Document P/N 25-0002



DRAWING NO.
CPMCTNC1-CUST

REVISIONS

01					OFFICIAL RELEASE
03-20-09	T	W	B	Y	T
					Thomas Chow

CUSTOMER COPY



TITLE
TNC CRIMP PLUG FOR RG58

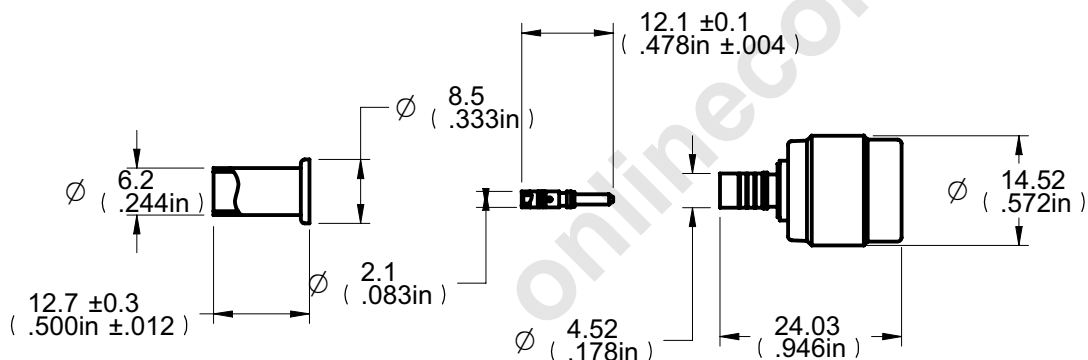
TOLERANCE UNLESS OTHERWISE SPECIFIED		DRAWN BY	DATE
DECIMALS	mm	TERRY.W	03-20-09
X	± 0.5	CHECKED BY	DATE
X.X	± 0.3	BETTY.YU	03-20-09
X.XX	± 0.1	APPROVED BY	DATE
ANGLES	± 0.5°	THOMAS	03-20-09
		U/M	mm

THIS DRAWING WAS PRODUCED BY COMPUTER, DO NOT SCALE DRAWING OR UPDATE MANUALLY.

SHEET
1 OF 1

DRAWING NO.
CPMCTNC1-CUST

SIZE
A



DIM OUTLINE