

# ChargerAssembly

the future lies in e-mobility

Electro-mobility is the most efficient way of decreasing usage of fossil fuels and reduce man-made CO<sub>2</sub> emmissions. Amphenol Tuchel Industrial is continuously working on the EV solution and supporting this process direct from Amphenol CZ production. HVCO(High Voltage Coupler Outlet) series is compliant with IEC 62196-1 and IEC 62196-3.

## mechanical conditions

- mating cycles > 10 000 cycles unloaded
- insertion / withdrawal force <100N

## electrical conditions

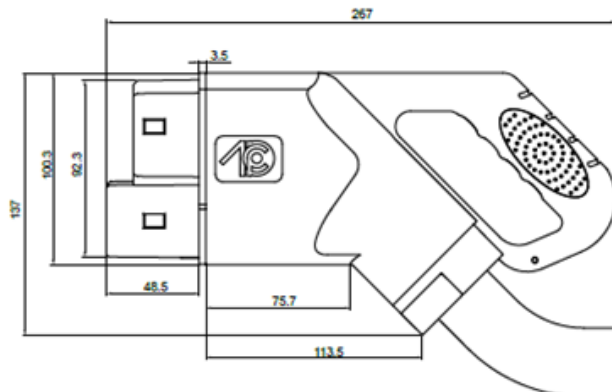
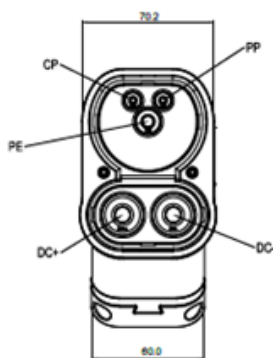
- rated current 80A, 200A, 250A, 400A @ +40°C (continuous)
- rated voltage 1000V DC
- insulation resistance > 100MΩ
- temperature sensor PT1000

## environmental conditions

- protection degree IP55 (mated)
- operating temperature -30°C to +40°C  
max. 55°C (at current reduction)

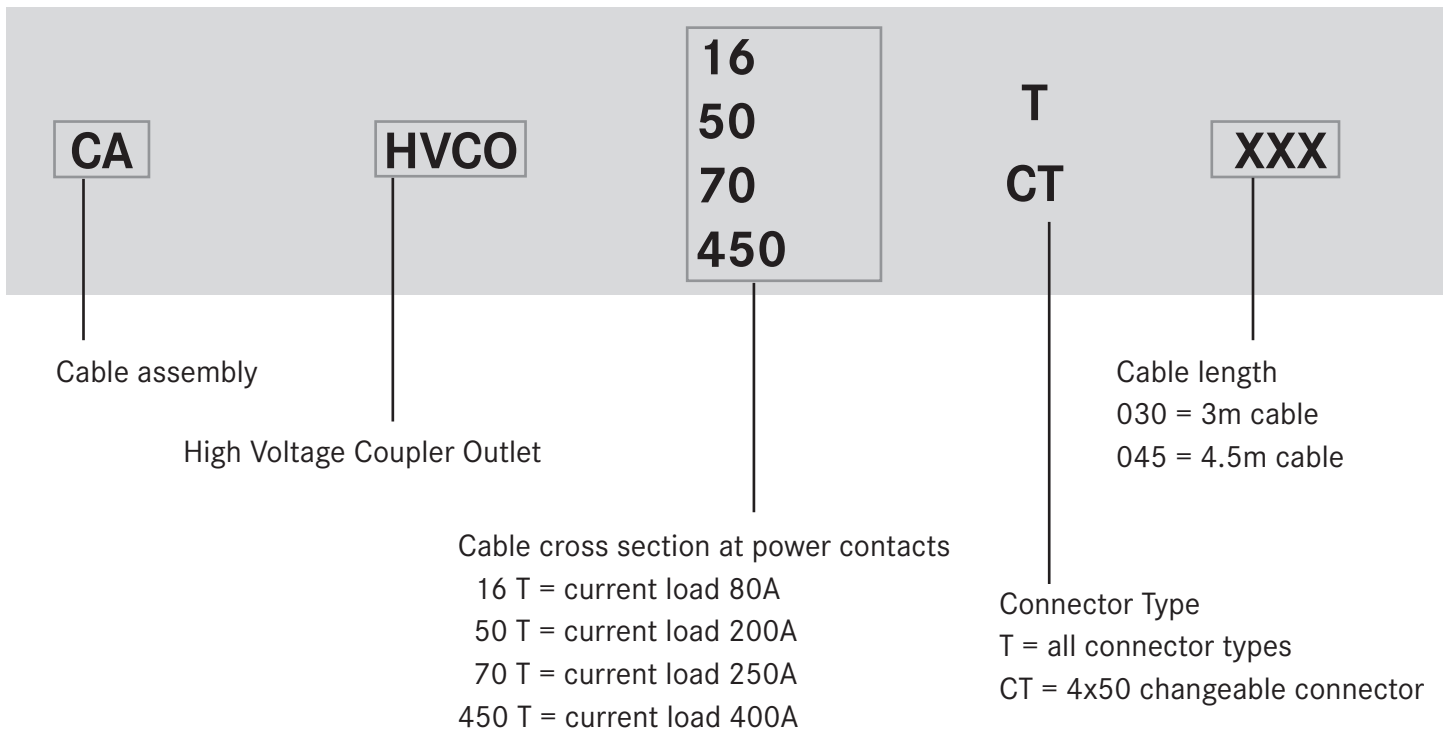
## material

- shell nylon
- contact cooper alloy, silver plating
- inserts thermoplastic
- Insulator inflammability UL94V0



Functions
PE (Protective Ground/Earth)
CP (Control pilot)
PP (Proximity)
DC+ (High power d.c.)
DC- (High power d.c.)

## How to order



## Cable specification

operating temperature -40°C ...+90°C	bending radius 12,5 x D
<b>80A cable</b>	
Ø D 18,6 mm	PE contacts: 16mm <sup>2</sup> DC contacts: 2*16mm <sup>2</sup>

operating temperature -40°C ...+90°C	bending radius 12,5 x D
<b>200A cable</b>	
Ø D 29,7 mm	PE contacts: 25mm <sup>2</sup> DC contacts: 2*50mm <sup>2</sup>

operating temperature -40°C ...+80°C	bending radius 12,5 x D
<b>250A cable</b>	
Ø D 31,8 mm	PE contacts: 25mm <sup>2</sup> DC contacts: 2*70mm <sup>2</sup>

operating temperature -40°C ...+90°C	bending radius 12,5 x D
<b>400A cable</b>	
Ø D 36,4 mm	PE contacts: 35mm <sup>2</sup> DC contacts: 4*50mm <sup>2</sup>