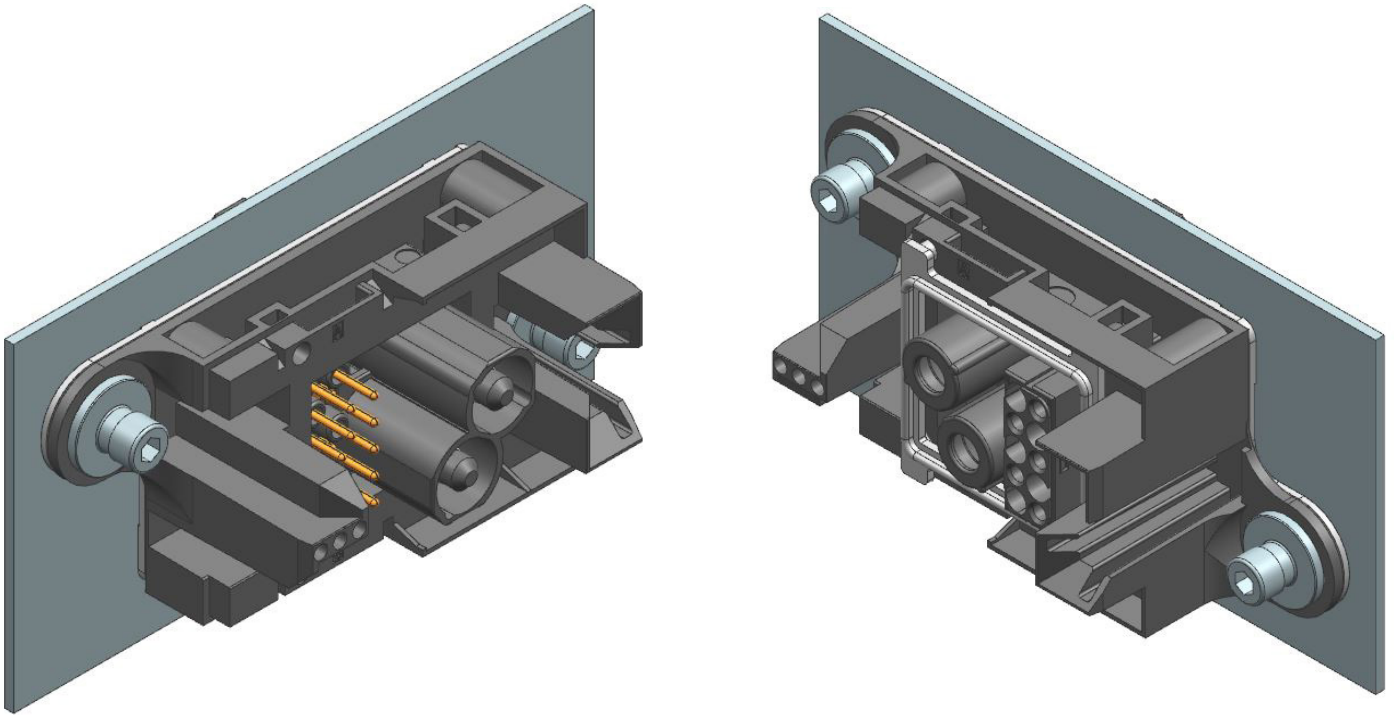


energy|mate®



Advantages

- up to +/- 10 mm guide range for blind mating possible
- IP20 or IP68 / IP69K in mated condition (fixed installation - floating on request)
- up to 325A / 1000V
- possibility of additional power and / or signal contacts as well as HVIL by using the modular system

Application

- „Blind mating“
- energy storage
- battery connections
- switch cabinet
- machine building

Technical features

Climatical Characteristics	Standard	Value
climatic category	IEC 60068-1	40 / 125 / 21
upper temperature	IEC 60512-11-9	+125°C
lower temperature	IEC 60512-11-10	-40°C
Mechanical Characteristics	Standard	Value
mechanical operation	IEC 60512-9-1	≥ 500 mating cycles≥
Materials	Standard	Value
module frame		PA-GF
flammability	UL 94	V-0
floating washers		steel Ni-plated
MS bolts		steel Zn-plated
sealings		NBR

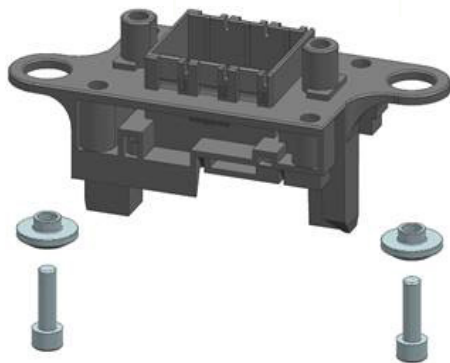
Front mounting: fixed and floating installation possible.

Rear mounting: fixed installation possible. Tolerance compensation via the application

All heavy|mate M modules can be used (see heavy|mate catalog):
<https://www.amphenol-industrial.de/de/amph/download/viewFile/NjE=>

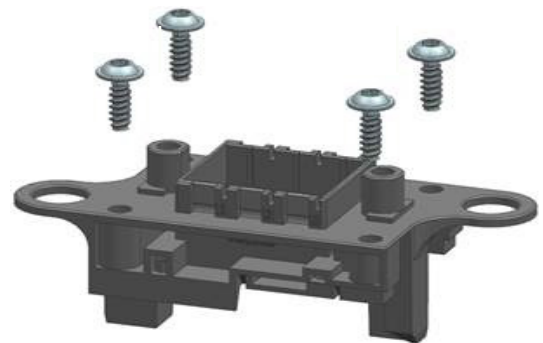
Catalog part number	Module slots	Assembly	IP-Rating	Pin / Socket
C146 N03 002 G8	3	front	IP20	p + s
C146 N03 004 G8	3	back	IP20	p + s
C146 N13 002 G8	3	front	IP68 / IP69K	p
C146 N13 004 G8	3	back	IP68 / IP69K	p
C146 N23 002 G8	3	front	IP68 / IP69K	s
C146 N23 004 G8	3	back	IP68 / IP69K	s
C146 N05 002 G8	5	front	IP20	p + s
C146 N05 004 G8	5	back	IP20	p + s
C146 N15 002 G8	5	front	IP68 / IP69K	p
C146 N15 004 G8	5	back	IP68 / IP69K	p
C146 N25 002 G8	5	front	IP68 / IP69K	s
C146 N25 004 G8	5	back	IP68 / IP69K	s

module frames



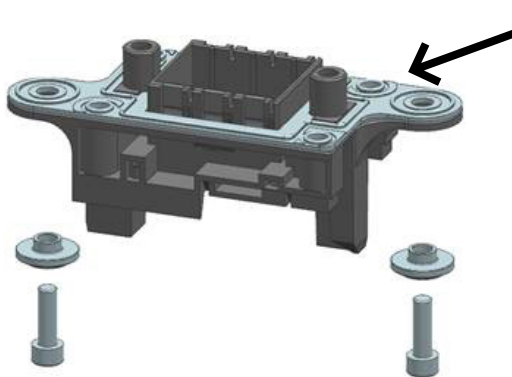
C146 N03 002 G8

unsealed for fixed / floating assembly



C146 N03 004 G8

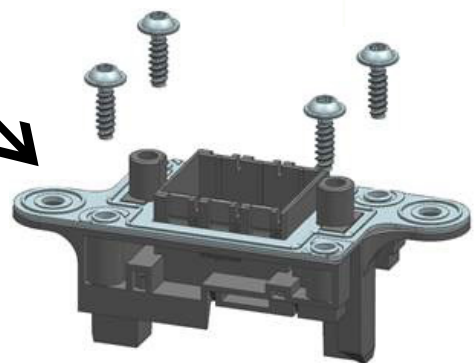
unsealed for fixed assembly



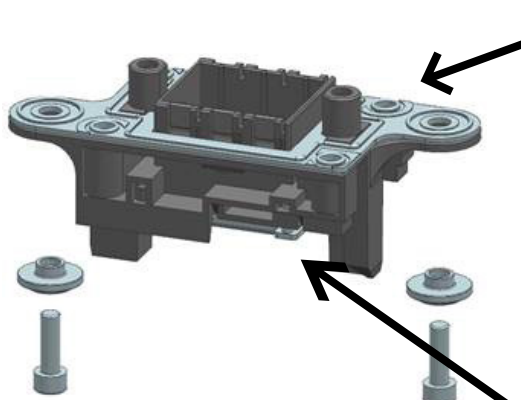
C146 N13 002 G8

sealed in mated condition with fixed assembly

Flat gasket



C146 N13 004 G8

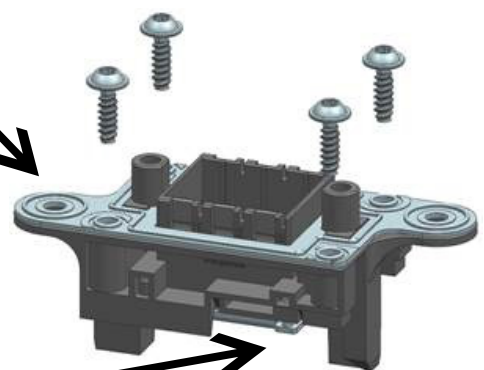


C146 N23 002 G8

sealed in mated condition with fixed assembly (counterpart)

Flat gasket

Profile gasket



C146 N23 004 G8