

157 series cable-to-panel connectors (cont.)

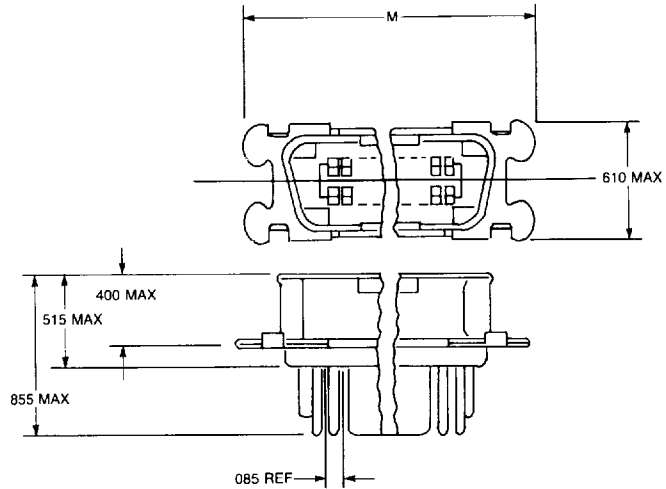
top cable entry type (for overmold cable assemblies)

order information

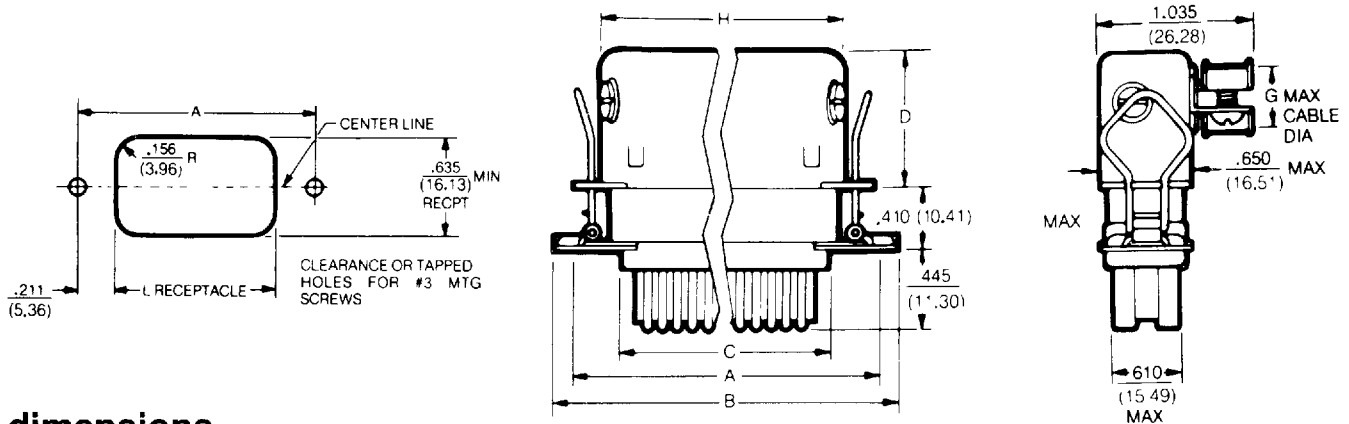
	Plugs: with bail latch ears for overmold cable assemblies
Contacts	Part Number
36	157-12360-5 (441)
50	157-12500-10 (441)

dimensions

	36 Contacts	50 Contacts
	In. mm	In. mm
M	2.431 61.75	3.025 76.84



side cable entry type



dimensions

Contacts	A		B		C		D MAX		G		H MAX		L*	
	In.	mm	In.	mm	In.	mm	In.	mm	In.	mm	In.	mm		
14	1.417	35.99	1.77	44.96	.910	23.11	.850	21.59	.348	4.48	1.153	29.29	.995	25.27
24	1.842	46.79	2.195	55.75	1.335	33.91	.830	21.03	.473	12.01	1.578	40.08	1.420	36.07
36	2.352	59.74	2.705	68.70	1.845	46.86	.910	23.11	.500	12.7	2.089	53.06	1.930	46.02
50	2.947	74.85	3.300	88.32	2.440	61.98	1.00	25.4	.500	12.7	2.683	68.15	2.525	64.14

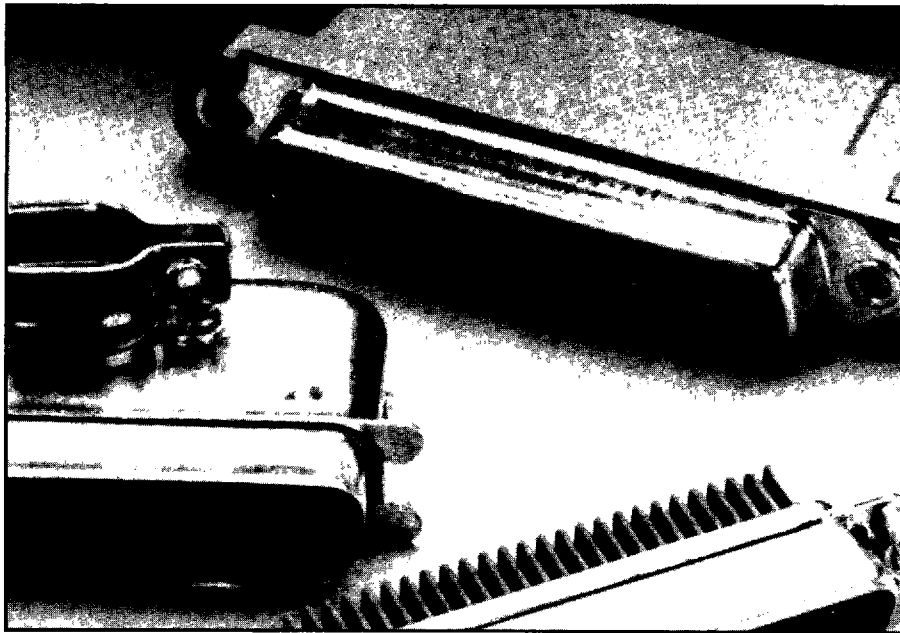
*Top mounting; for cable-to-panel mounting.

order information

Contacts	Plug	Receptacle
14	157-52140	157-42140
24	157-52240	157-42240
36	157-52360	157-42360
50	157-52500	157-42500

Items in bold print are popular, readily available parts

general configuration – 157 series I.D.C. termination



description

Amphenol 157 Micro-Pierce connectors combine the field-proven features and reliability of 57 series micro-ribbon solder-type connectors with the speed and convenience of solderless termination.

These versatile rack and panel, cable to panel, and cable to cable connectors are available in 14-, 24-, 36-, 50- and 64-contact configurations.

Solderless termination, as accomplished using either hand or automatic termination equipment is fast, requires no special skill, yet results in reliable, virtually mistake-proof termination because individual conductor preparation is not necessary.

features

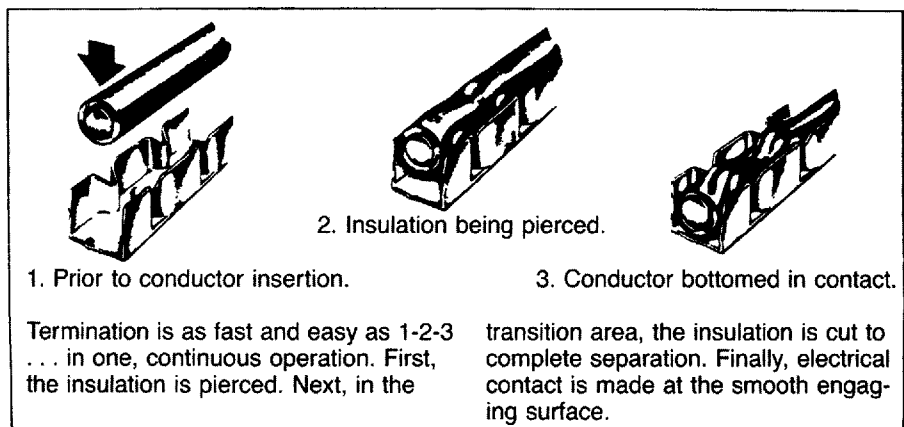
- Glass-filled polyester dielectric permits operation to 700 VDC at sea level without shorting or flashover. Dielectric resists cracking or chipping — has high mechanical strength. Also low moisture absorption.
- Iron-copper contacts with plated gold over nickel for excellent current-carrying characteristics up to 5 amps.
- Terminal area provides positive insulation-piercing, excellent electrical continuity as wiped-clean conductor cold-flows around engaging surface to form large contact area.
- Float-bushing mouting permits .020 radial float for easy mating.
- Zinc-plated steel outer shell with clear chromate finish resists corrosion.
- Wide, flat mating surfaces are pressed tightly together by the flexing action of both contacts for protection against "opens".
- Positive mating action wipes contacts clean, removes film or foreign material for low contact resistance.
- Trapezoidal shell assures correct polarity.

general specifications

All Micro-Pierce Connectors

Current capacity	5 amp per contact
Voltage rating	700 VDC at sea level 200 VDC at 70,000 ft.
Operating temperature	-67°F to +221°F -55°C to +105°C
Wire sizes	24 and 26 AWG, solid conductor 26 and 28 AWG, stranded conductor
Contacts	Selectively plated 20 microinches gold over 50 microinches nickel on a copper alloy base
Dielectric	DPT UL94V-0
Shells	Zinc-plated steel with clear chromate coating. Trapezoidal shape assure positive polarization.

3-Step Insulation Displacement



UL
Component
Recognition

FILE E64911



Canadian
Standards
Association

FILE LR 45516-14

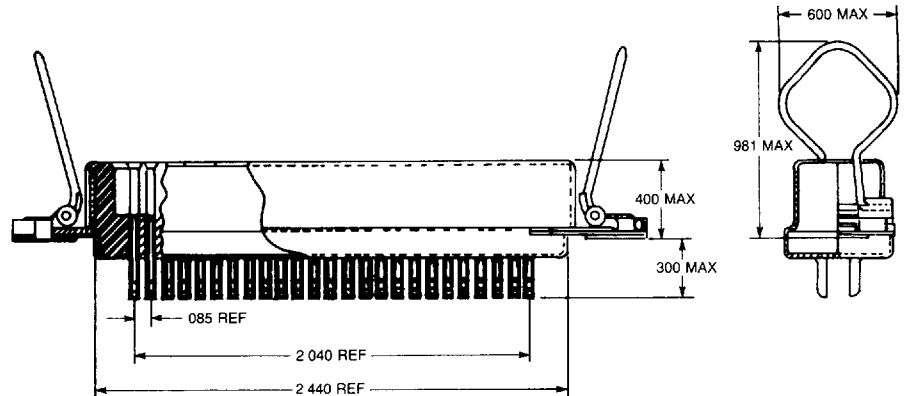
SCSI solder type 50 position receptacle with spring latch

Applications: Feed-through Adapters

order information

Part Number: 57-40500 (441)

NOTE: See page 4 for specifications and order information for this connector.



SCSI overmold cable connectors (IDC)

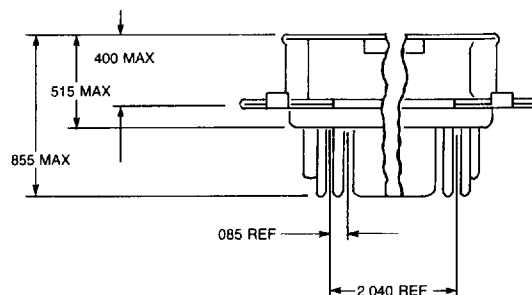
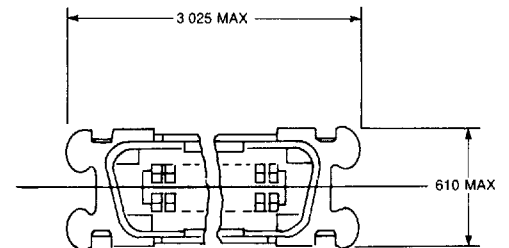
50 position plug for spring latching

Applications: Adapters, Peripheral Interface and Extended Cables

order information

Part Number: 157-12500-10 (441)

NOTE: See page 15 for specifications and order information for this connector.



SCSI overmold cable connectors (IDC)

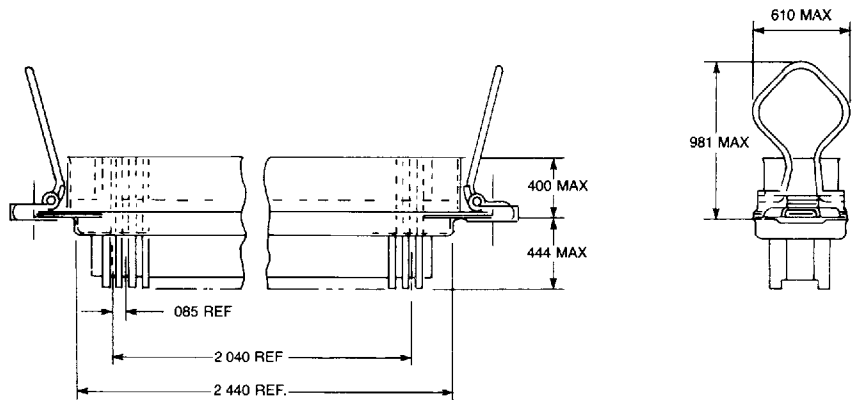
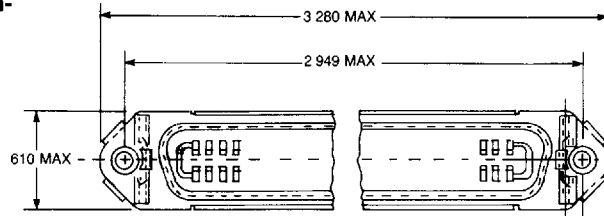
50 position receptacle with spring latch

Applications: Adapters; Peripheral Interface; and Extended Cables

order information

Part Number: 157-42500 (441)

NOTE: See page 15 for specifications and order information for this connector.



SCSI overmold cable connectors (IDC)

50 position plug for 4-40 mounting screws (not included)

Applications: Adapters, Peripheral Interface or Extended Cables

order information

Part Number: 157-12500-14 (441)

NOTE: See page 14 for specifications and order information for this connector.

