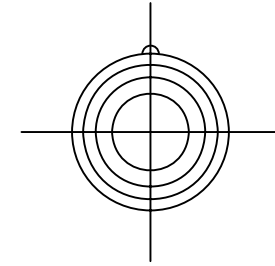
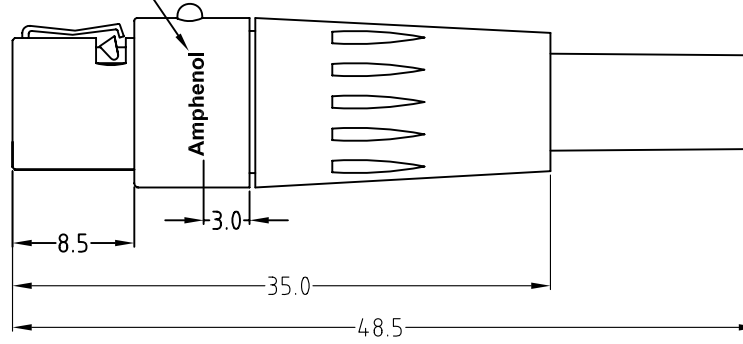
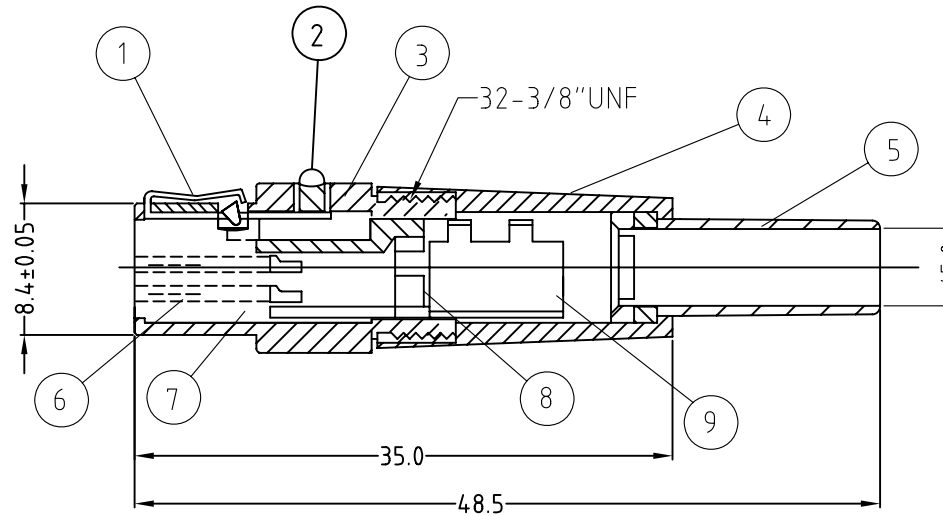


Amphenol LOGO TO BE ARIAL BOLD  
IN 2mm HEIGHT AND 7mm WIDE



No. CONTACT	PART No.
3 POLE	AG3FJ
4 POLE	AG4FJ
5 POLE	AG5FJ
6 POLE	AG6FJ



SECTION A-A

ITEM	MATERIAL	MATERIAL	ITEM
1	SPRING	SUS(AISI-301) TIN PLATED	1
2	CAP	BRASS-NICKEL PLATED	1
3	SHELL	C3604/NICKEL PLATED	1
4	NUT	ABS-BLACK	1
5	GROMMET	RUBBER-BLACK	1
6	CONTACT	BRASS/GOLD PLATED	VARY
7	INSULATOR	PPS-BLACK	1
8	ADAPTOR	PPS-BLACK	1
9	CABLE CLAMP	BRASS-NICKEL PLATED	1

UNLESS OTHERWISE SPECIFIED TOLERANCE TO BE		THIS DOCUMENT IS THE PROPERTY OF AMPHENOL AUSTRALIA PTY. LTD.. NO PART THEREOF MAY BE REPRODUCED AND USED WITHOUT THE PRIOR WRITTEN CONSENT OF THE OWNER				1	ADD AMPHENOL LOGO TO THE SHELL PREVIOUSLY NO LOGO	M.H	23-08-11	9044
LINEAR	ANGULAR	CAD FILE: 55010459001111	DRN: M.N.H	DATE: 18-09-09	REV.	0	FIRST ISSUE	M.N.H	18-09-09	----
X ± 0.5	X° ± 1°	MATL: SEE NOTES	CKD: M.H	DATE: 23-08-11	CHANGE DETAILS		BY	DATE	CHG/No	
X.X ± 0.1	X°X' ± 30'	DO NOT SCALE	FINISH: SEE NOTES	DATE: 23-08-11	TITLE: MINI XLR LINE FEMALE LARGE CABLE ENTRY CUSTOMER DRAWING		Amphenol		20 Industry Boulevard, Carrumdowns, Vic 3201	
X.XX ± 0.05	X°X'X" ± 15"	DIMENSIONS IN MILLIMETRES	THIRD ANGLE PROJECTION	SCALE: NTS	PART No: REFER TO TABLE	SIZE: A4	DRAWING NO.	SHEET	55010459-001-1 1 OF 1	