



Series 0511 Strip-Line Sockets with Bifurcated Contact Solder Tail Pins

FEATURES:

- For mounting liquid crystal displays and other high pin count or odd centered components.
- Available in several sizes with bifurcated contacts in solder tail or wire wrap pins. Consult Data Sheet No. 12009 for wire wrap pins.
- Optional spacer available for mounting on .300 [7.62], .600 [15.24], .900 [22.86], 1.100 [27.94], and 1.300 [33.02] centers. Consult factory for other sizes.

SPECIFICATIONS:

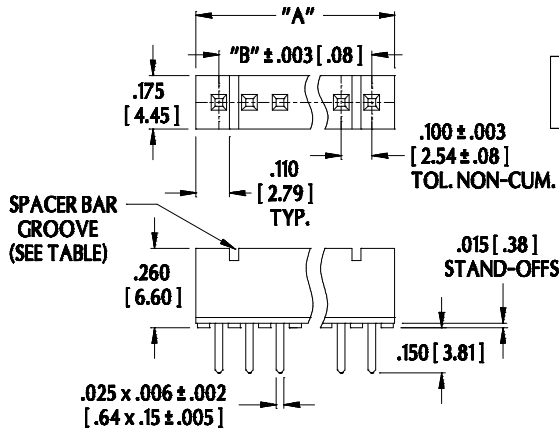
- Body is red UL 94-HB Glass-filled Nylon. Consult factory for UL 94V-0 rated material.
- Pin is Grade A Phosphor Bronze per QQ-B-750.
- Optional spacer is FR-4, .032 [.81] thick.
- Pin plating is either 50µ [1.27µm] min. Tin or 10µ [.25µm] min. Gold per MIL-G-45204 over 50µ [1.27µm] min. Nickel per QQ-N-290.
- Current rating=1 Amp.
- Operating temperature=221°F [105°C] Tin plating, =257°F [125°C] Gold plating.
- Insertion Force=110 grams/pin average; Withdrawal Force=75 grams/pin average.
- Accepts flat leads up to .014 x .020 wide [.36-.51], round leads up to .020 [.51] in diameter.
- Socket accepts lead lengths from seating plane .080-.160 [2.03-4.06].

MOUNTING CONSIDERATIONS:

- Suggested PCB hole size=.036 ± .002 [.91 ± .05] dia.

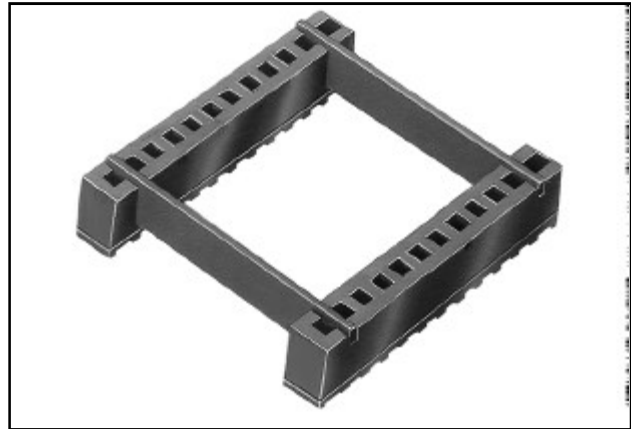
ALL DIMENSIONS: INCHES [MILLIMETERS]

"A"=(NO. OF PINS X .100 [2.54]) + .050 [1.27]
 "B"=(NO. OF PINS PER ROW - 1) X .100 [2.54]



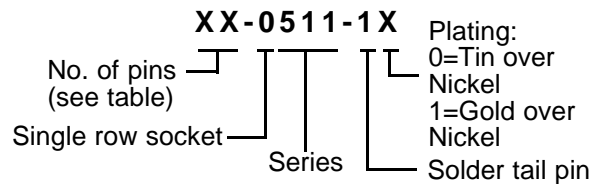
No. of Pins	No. of Grooves
20	2
25	2
30	2
34	3
40	2

Other sizes available. Consult factory.

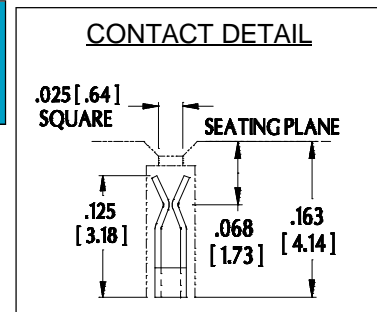


Note: Aries specializes in custom design and production. In addition to the standard products shown on this page, special materials, platings, sizes, and configurations can be furnished, depending on quantities. Aries reserves the right to change product specifications without notice.

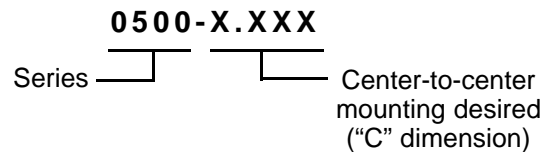
ORDERING INFORMATION



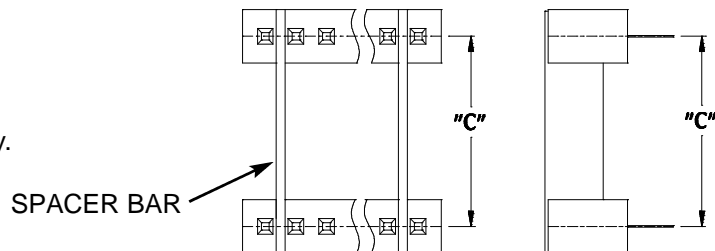
Consult Data Sheet No. 12009 for strip-line sockets with wire wrap pins.



ORDERING INFORMATION (for spacer bar)



All tolerances ± .005 [.13] unless otherwise specified



ARIES
 ELECTRONICS, INC.
<http://www.arieselec.com> • info@arieselec.com

NORTH AMERICA
 Frenchtown, NJ USA
 TEL: (908) 996-6841
 FAX: (908) 996-3891



EUROPE
 TEL: +44 870 240 0249
 FAX: +44 871 919 6033
europe@arieselec.com

12008
 REV.C