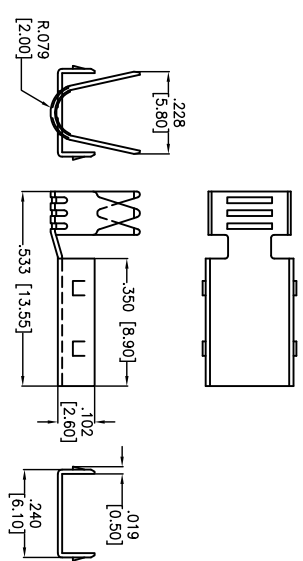
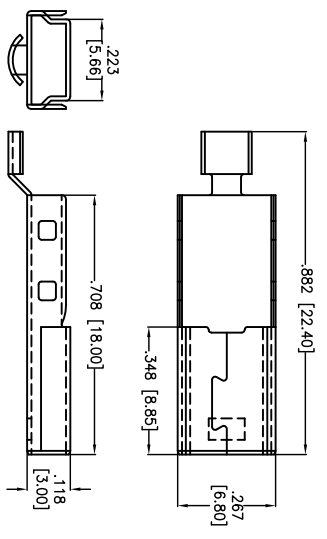
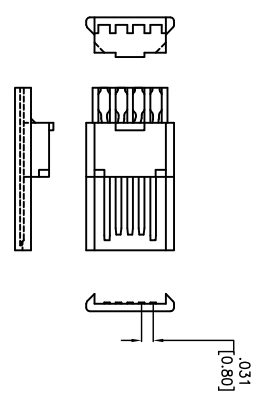
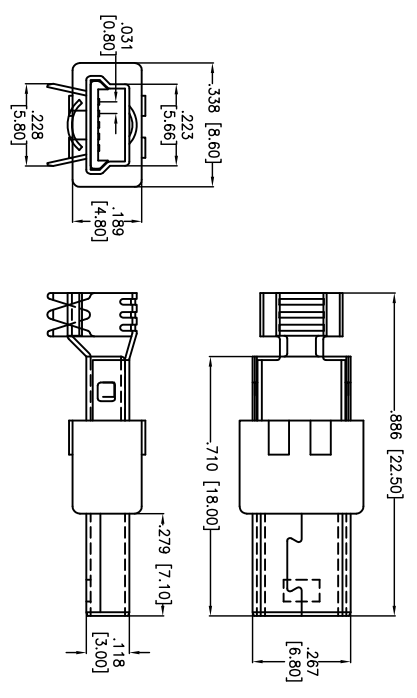


Rev	AWO #	Description	Date	Appr
-		RELEASED	5/5/08	

APPROVED: _____ TITLE: _____
 DATE: _____



SPECIFICATIONS:
 Material: Insulator: Hi-Temp Plastic, rated UL 94V-0
 Insulator color: Black
 Contacts: Copper Alloy
 Shell: SPCC-SD, Nickel plated
 Plating: Gold Flash over Nickel underplate on contact area, Tin over Copper underplate on solder tails

Electrical:
 Operating voltage: 30 VAC max
 Current rating: 1 Amps max
 Contact resistance: 30 Mohms max
 Insulation resistance: 1000 Mohms min
 Dielectric withstanding voltage: 500 VAC for 1 minute
Temperature Rating:
 Operating temperature: -20°C to +60°C
 Environmental:
 Lead free, RoHS compliant.



UNLESS OTHERWISE SPECIFIED
 ALL DIMENSIONS ARE INCHES [MM]
 TOLERANCES: EXCEPT AS NOTED
 INCHES HOLES
 .X ± .10 Ø.X ± .10
 .XX ± .020 Ø.XXX ± .015
 .XXX ± .015 Ø.XXXX ± .010
 APPROVALS DATE

ADAM TECH
 909 Ratway Avenue, Union, NJ 07083
 Phone: 908-687-5000 Fax: 908-687-5710
 TITLE: MINI USB, TYPE B, 5PIN, PLUG KIT

DRAWN	SS	5/5/08	SIZE	PART NO.	REV.
CHECKED			X	MUSB-B5P-KT	
APPROVED			REF:	SCALE: NTS	SHEET 1 OF 1