

INTRODUCTION:

Adam Tech Right Angle .318" footprint PCB D-Sub connectors are a popular interface for many I/O applications. Offered in 9, 15, 25 and 37 positions they are a good choice for a low cost industry standard connection. These connectors are manufactured with precision stamped contacts offering a choice of contact plating and a wide selection of mating and mounting options.

FEATURES:

- Industry standard compatibility
- Durable metal shell design
- Precision formed contacts
- Variety of Mating and mounting options

MATING CONNECTORS:

Adam Tech D-Subminiatures and all industry standard D-Subminiature connectors.

SPECIFICATIONS:

Material:

Standard insulator: PBT, 30% glass reinforced, rated UL94V-0
 Optional Hi-Temp insulator: Nylon 6T
 Insulator color: Black
 Contacts: Phosphor Bronze
 Shell: Steel, Tin or Zinc plated
 Hardware: Brass, Nickel plated

Contact Plating:

Gold Flash (15 and 30 µin Optional) over Nickel underplate on mating area. Tin over copper underplate on PCB tails.

Electrical:

Operating voltage: 250V AC / DC max.
 Current rating: 5 Amps max.
 Contact resistance: 20 mΩ max. initial
 Insulation resistance: 5000 MΩ min.
 Dielectric withstanding voltage: 1000V AC for 1 minute

Mechanical:

Insertion force: 0.75 lbs max
 Extraction force: 0.44 lbs min

Temperature Rating:

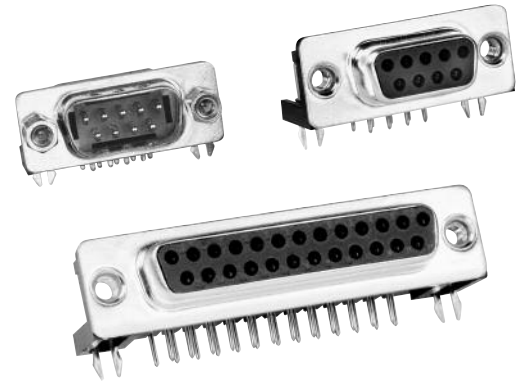
Operating temperature: -65°C to +125°C
 Soldering process temperature:
 Standard insulator: 235°C
 Hi-Temp insulator: 260°C

PACKAGING:

Anti-ESD plastic trays

APPROVALS AND CERTIFICATIONS:

UL Recognized File No. E224053
 CSA Certified File No. LR1578596



ORDERING INFORMATION



SHELL SIZE/ POSITIONS

DE09 = 9 Position
 DA15 = 15 Position
 DB25 = 25 Position
 DC37 = 37 Position

CONTACT TYPE

PL = Plug, .318" Footprint
 SL = Socket, .318" Footprint

MATING FACE MOUNTING OPTIONS

3 = #4-40 fixed jackscrews
 4 = #4-40 flush threaded inserts
 5 = #4-40 flush threaded inserts with removable jackscrews installed
 6 = .120" non-threaded mounting holes

* See Mounting Option diagrams pg. 74

PCB MOUNTING OPTIONS

1 = Wrap around ground straps with thru holes
 2 = Forked board locks
 3 = Top side only ground straps with thru holes
 4 = Top side only ground straps with #4-40 threaded screw holes

* See Mounting Option diagrams pg. 74

OPTIONS:

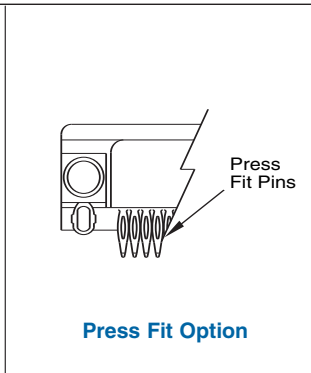
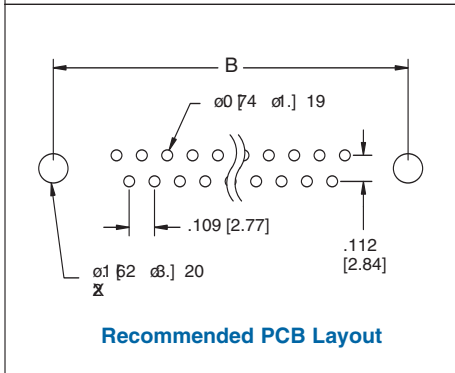
Add designator(s) to end of part number
 15 = 15 µin gold plating in contact area
 30 = 30 µin gold plating in contact area
 EMI = Ferrite filtered version for EMI/RFI suppression
 LPJ = Loose packed jackscrews
 F = Superior retention 4 prong boardlocks
 HT = Hi-Temp insulator for Hi-Temp soldering processes up to 260°C
 R = Round jackscrews
 PF = Press fit pins

PLUG

DB25-PL-25

SOCKET

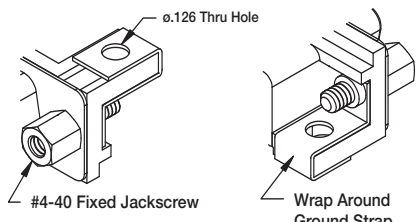
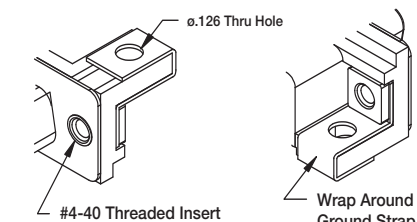
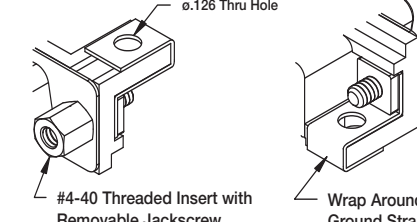
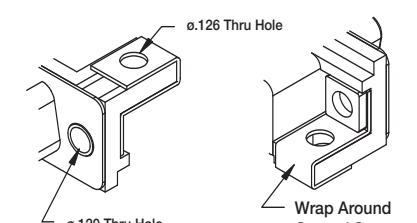
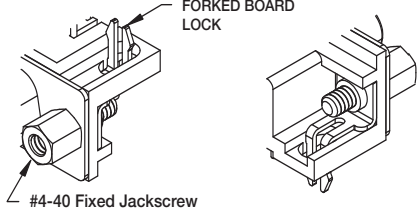
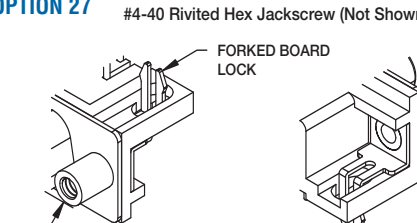
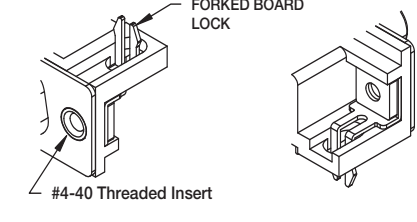
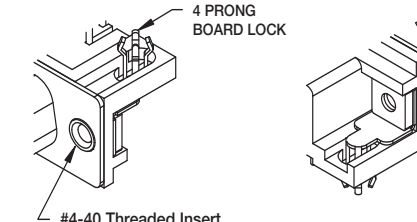
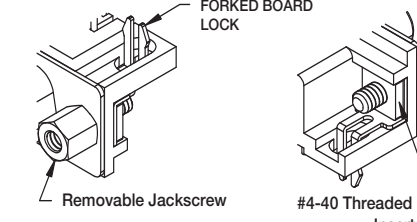
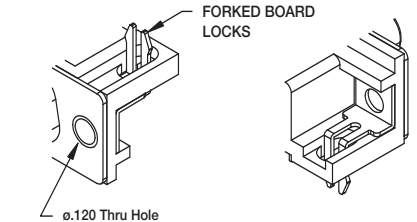
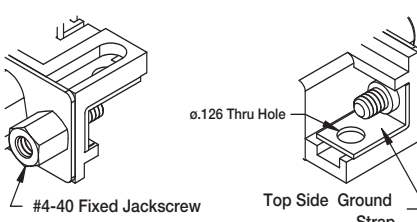
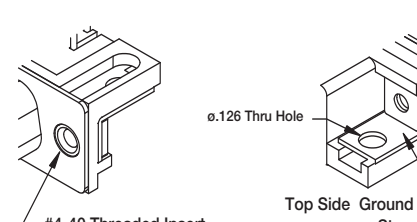
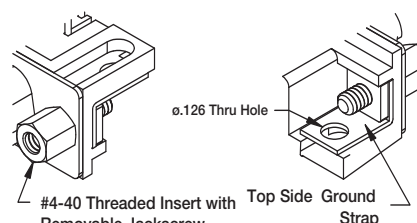
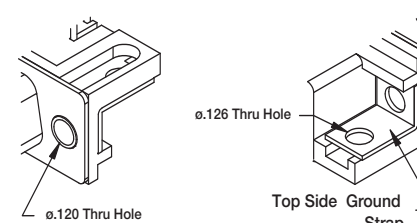
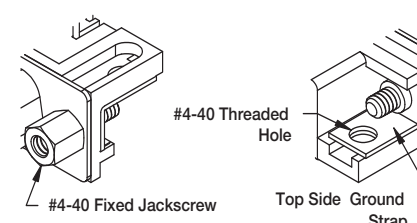
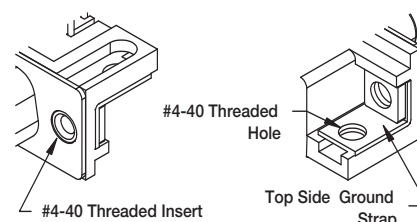
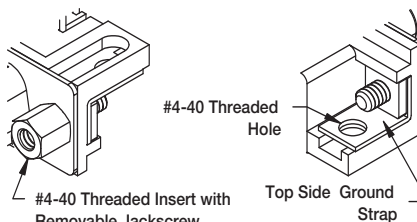
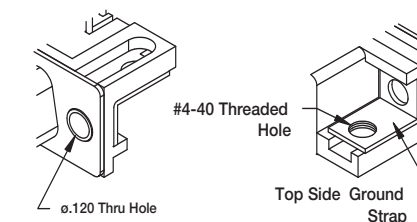
DB25-SL-24



Unit: Inch [mm]

Pos.	PLUG	SOCKET	DIMENSIONS	
	A	A	B	C
9	.666 [16.92]	.643 [16.33]	.984 [24.99]	1.213 [30.81]
15	.994 [25.25]	.971 [24.66]	1.312 [33.32]	1.541 [39.14]
25	1.534 [38.96]	1.511 [38.38]	1.852 [47.04]	2.088 [53.04]
37	2.182 [55.43]	2.159 [54.84]	2.500 [63.50]	2.729 [69.32]

MATING FACE & PCB MOUNTING OPTIONS

<p>OPTION 13</p>  <p>0.126 Thru Hole</p> <p>#4-40 Fixed Jackscrew</p> <p>Wrap Around Ground Strap</p>	<p>OPTION 14</p>  <p>0.126 Thru Hole</p> <p>#4-40 Threaded Insert</p> <p>Wrap Around Ground Strap</p>	<p>OPTION 15</p>  <p>0.126 Thru Hole</p> <p>#4-40 Threaded Insert with Removable Jackscrew</p> <p>Wrap Around Ground Strap</p>
<p>OPTION 16</p>  <p>0.126 Thru Hole</p> <p>0.120 Thru Hole</p> <p>Wrap Around Ground Strap</p>	<p>OPTION 23</p>  <p>FORKED BOARD LOCK</p> <p>#4-40 Fixed Jackscrew</p> <p><i>* Standard Stocked Item</i></p>	<p>OPTION 23-R OPTION 27</p>  <p>#4-40 Rivited Round Jackscrew (Shown)</p> <p>#4-40 Rivited Hex Jackscrew (Not Shown)</p> <p>FORKED BOARD LOCK</p> <p>#4-40 Rivited Round Jackscrew</p>
<p>OPTION 24</p>  <p>FORKED BOARD LOCK</p> <p>#4-40 Threaded Insert</p> <p><i>* Standard Stocked Item</i></p>	<p>OPTION 24-F</p>  <p>4 PRONG BOARD LOCK</p> <p>#4-40 Threaded Insert</p>	<p>OPTION 25</p>  <p>FORKED BOARD LOCK</p> <p>Removable Jackscrew</p> <p>#4-40 Threaded Insert</p> <p><i>* Standard Stocked Item</i></p>
<p>OPTION 26</p>  <p>FORKED BOARD LOCKS</p> <p>0.120 Thru Hole</p>	<p>OPTION 33</p>  <p>0.126 Thru Hole</p> <p>#4-40 Fixed Jackscrew</p> <p>Top Side Ground Strap</p>	<p>OPTION 34</p>  <p>0.126 Thru Hole</p> <p>#4-40 Threaded Insert</p> <p>Top Side Ground Strap</p>
<p>OPTION 35</p>  <p>0.126 Thru Hole</p> <p>#4-40 Threaded Insert with Removable Jackscrew</p> <p>Top Side Ground Strap</p>	<p>OPTION 36</p>  <p>0.126 Thru Hole</p> <p>0.120 Thru Hole</p> <p>Top Side Ground Strap</p>	<p>OPTION 43</p>  <p>#4-40 Threaded Hole</p> <p>#4-40 Fixed Jackscrew</p> <p>Top Side Ground Strap</p>
<p>OPTION 44</p>  <p>#4-40 Threaded Hole</p> <p>#4-40 Threaded Insert</p> <p>Top Side Ground Strap</p>	<p>OPTION 45</p>  <p>#4-40 Threaded Hole</p> <p>#4-40 Threaded Insert with Removable Jackscrew</p> <p>Top Side Ground Strap</p>	<p>OPTION 46</p>  <p>#4-40 Threaded Hole</p> <p>0.120 Thru Hole</p> <p>Top Side Ground Strap</p>

INTRODUCTION:

Adam Tech Right Angle .590" footprint PCB D-Sub connectors are a popular interface for many I/O applications. Offered in 9, 15, 25 and 37 positions they are an excellent choice for a low cost industry standard connection. They are available with full or half mounting flanges. Adam Tech connectors are manufactured with precision stamped contacts offering a choice of contact plating and a wide selection of mating and mounting options.

FEATURES:

- Half or Full flange options
- Industry standard compatibility
- Durable metal shell design
- Precision formed contacts
- Variety of Mating and mounting options

MATING CONNECTORS:

Adam Tech D-Subminiatures and all industry standard D-Subminiature connectors.

SPECIFICATIONS:

Material:

Standard insulator: PBT, 30% glass reinforced, rated UL94V-0
 Optional Hi-Temp insulator: Nylon 6T
 Insulator Color: Black
 Contacts: Phosphor Bronze
 Shell: Steel, Tin or Zinc plated
 Hardware: Brass, Nickel plated

Contact Plating:

Gold Flash (15 and 30 µin Optional) over Nickel underplate.

Electrical:

Operating voltage: 250V AC / DC max.
 Current rating: 5 Amps max.
 Contact resistance: 20 mΩ max. Initial
 Insulation resistance: 5000 MΩ min.
 Dielectric withstanding voltage: 1000V AC for 1 minute

Mechanical:

Insertion force: 0.75 lbs max
 Extraction force: 0.44 lbs min

Temperature Rating:

Operating temperature: -65°C to +125°C
 Soldering process temperature:
 Standard insulator: 235°C
 Hi-Temp insulator: 260°C

PACKAGING:

Anti-ESD plastic trays

APPROVALS AND CERTIFICATIONS:

UL Recognized File No. E224053
 CSA Certified File No. LR1578596



ORDERING INFORMATION



SHELL SIZE/ POSITIONS

DE09 = 9 Position
 DA15 = 15 Position
 DB25 = 25 Position
 DC37 = 37 Position

CONTACT TYPE

PQ = Plug,
 .590" Footprint
 SQ = Socket,
 .590" Footprint

MATING FACE MOUNTING OPTIONS

3 = #4-40 fixed jack screws
 4 = #4-40 flush threaded inserts
 5 = #4-40 flush threaded inserts with removable jack screws installed
 6 = .120" non-threaded mounting holes

* See Mounting Option diagrams page 77

PCB MOUNTING OPTIONS

SA = Wrap around ground straps with thru holes on half flange

SB = Wrap around ground straps with thru holes on full flange

SC = Top side only ground straps with thru holes on half flange

SD = Top side only ground straps with thru holes on full flange

F = Forked boardlocks on half flange

R = Forked boardlocks on full flange

* See Mounting Option diagrams page 77

OPTIONS:

Add designator(s) to end of part number

15 = 15 µin gold plating in contact area

30 = 30 µin gold plating in contact area

EMI = Ferrite filtered version for EMI/RFI suppression

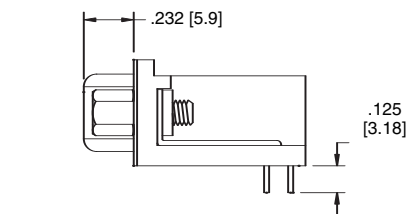
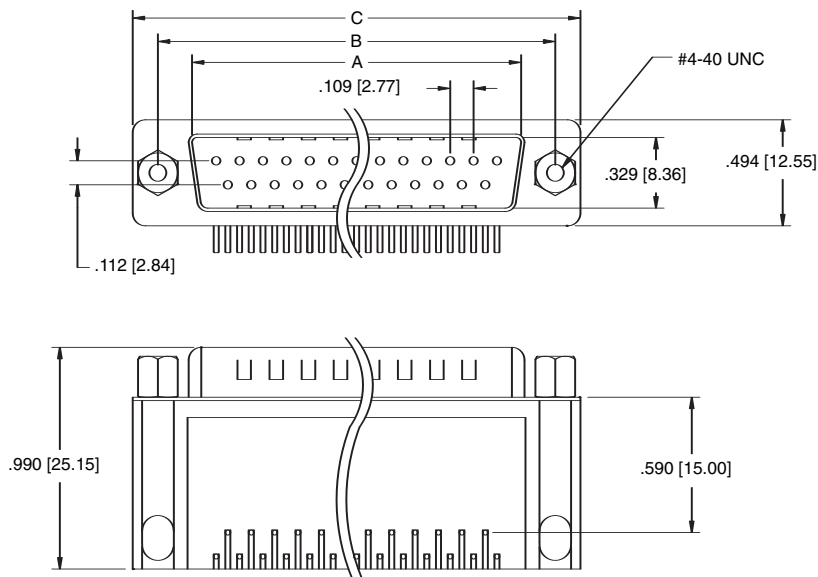
LPJ = Loose packed jackscrews

F = Superior retention 4 prong boardlocks

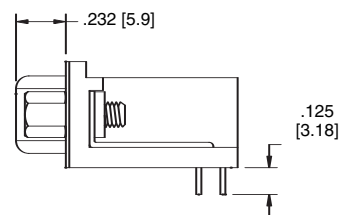
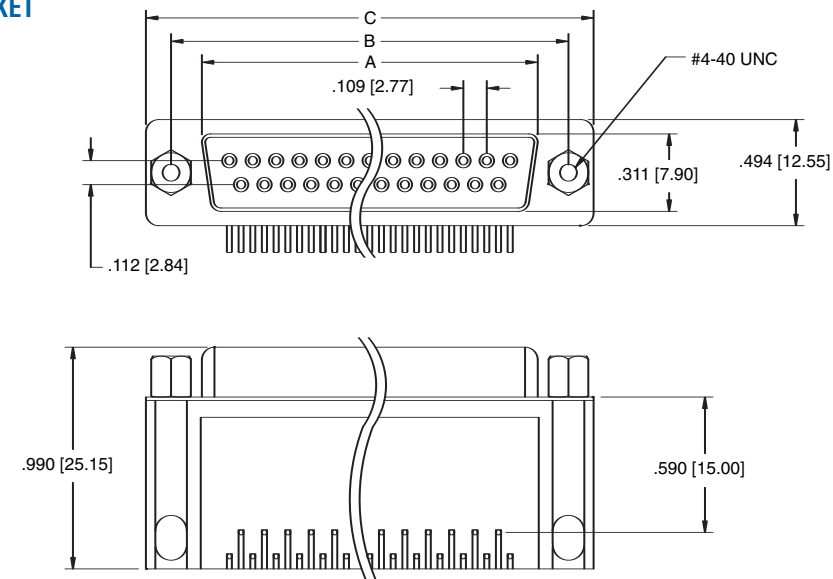
HT = Hi-Temp insulator for Hi-Temp soldering processes up to 260°C

R = Round jackscrews

PLUG



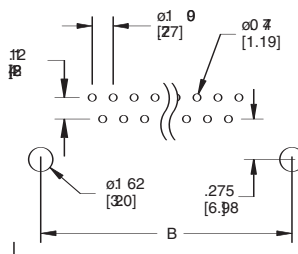
SOCKET



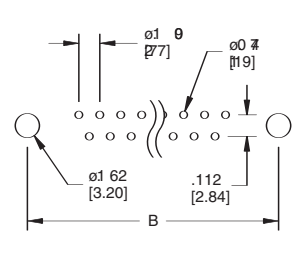
Unit: Inch [mm]

Pos.	PLUG	SOCKET	DIMENSIONS	
	A	A	B	C
9	.666 [16.92]	.643 [16.33]	.984 [24.99]	1.213 [30.81]
15	.994 [25.25]	.971 [24.66]	1.312 [33.32]	1.541 [39.14]
25	1.534 [38.96]	1.511 [38.38]	1.852 [47.04]	2.088 [53.04]
37	2.182 [55.43]	2.159 [54.84]	2.500 [63.50]	2.729 [69.32]

Half Flange PCB Layout for PCB mounting options (SA, SC, F)



Full Flange PCB Layout for PCB mounting options (SB, SD, R)



PCB Edge

MATING FACE & PCB MOUNTING OPTIONS

<p>OPTION SA3</p> <p>#4-40 Fixed Jackscrew Wrap Around Ground Strap on Half Flange ø.126 Thru Hole</p>	<p>OPTION SA4</p> <p>#4-40 Threaded Insert Wrap Around Ground Strap on Half Flange ø.126 Thru Hole</p>	<p>OPTION SA5</p> <p>#4-40 Threaded Insert with Removable Jackscrew Wrap Around Ground Strap on Half Flange ø.126 Thru Hole</p>
<p>OPTION SA6</p> <p>#4-40 Threaded Insert Wrap Around Ground Strap on Half Flange ø.126 Thru Hole ø.120 Thru Hole</p>	<p>OPTION SB3</p> <p>#4-40 Fixed Jackscrew Wrap Around Ground Strap on Full Flange ø.126 Thru Hole</p>	<p>OPTION SB4</p> <p>#4-40 Threaded Insert Wrap Around Ground Strap on Full Flange ø.126 Thru Hole</p>
<p>OPTION SB5</p> <p>#4-40 Threaded Insert with Removable Jackscrew Wrap Around Ground Strap on Full Flange ø.126 Thru Hole</p>	<p>OPTION SB6</p> <p>#4-40 Threaded Insert Wrap Around Ground Strap on Full Flange ø.126 Thru Hole ø.120 Thru Hole</p>	<p>OPTION SC3</p> <p>#4-40 Fixed Jackscrew Top Side Ground Strap, Half Flange ø.126 Thru Hole</p>
<p>OPTION SC4</p> <p>#4-40 Threaded Insert Top Side Ground Strap, Half Flange ø.126 Thru Hole</p>	<p>OPTION SC5</p> <p>#4-40 Threaded Insert with Removable Jackscrew Top Side Ground Strap, Half Flange ø.126 Thru Hole</p>	<p>OPTION SC6</p> <p>#4-40 Threaded Insert Top Side Ground Strap, Half Flange ø.126 Thru Hole ø.120 Thru Hole</p>
<p>OPTION SD3</p> <p>#4-40 Fixed Jackscrew Top Side Ground Strap, Full Flange ø.126 Thru Hole</p>	<p>OPTION SD4</p> <p>#4-40 Threaded Insert Top Side Ground Strap, Full Flange ø.126 Thru Hole</p>	<p>OPTION SD5</p> <p>#4-40 Threaded Insert with Removable Jackscrew Top Side Ground Strap, Full Flange ø.126 Thru Hole</p>
<p>OPTION SD6</p> <p>#4-40 Threaded Insert Top Side Ground Strap, Full Flange ø.126 Thru Hole ø.120 Thru Hole</p>	<p>OPTION F3</p> <p>#4-40 Fixed Jackscrew Forked Board Lock Half Flange</p>	<p>OPTION F4</p> <p>#4-40 Threaded Insert Forked Board Lock Half Flange</p>
<p>OPTION F5</p> <p>#4-40 Threaded Insert with Removable Jackscrew Forked Board Lock Half Flange</p>	<p>OPTION F6</p> <p>#4-40 Threaded Insert with Removable Jackscrew Forked Board Lock Half Flange ø.120 Thru Hole</p>	<p>OPTION R3</p> <p>#4-40 Fixed Jackscrew Forked Board Lock Full Flange</p>
<p>OPTION R4</p> <p>#4-40 Threaded Insert Forked Board Lock Full Flange</p>	<p>OPTION R5</p> <p>#4-40 Threaded Insert with Removable Jackscrew Forked Board Lock Full Flange</p>	<p>OPTION R6</p> <p>#4-40 Threaded Insert Forked Board Lock Full Flange ø.120 Thru Hole</p>

INTRODUCTION:

Adam Tech Straight PCB tail D-Sub connectors are a popular interface for many I/O applications. Offered in 9, 15, 25, 37 and 50 positions they are an excellent choice for a low cost, sturdy, full metal body industry standard connection. These connectors are manufactured with precision stamped or machined turned contacts offering a choice of contact plating and a wide selection of mating and mounting options.

FEATURES:

- Industry standard compatibility
- Durable metal shell design
- Precision formed contacts
- Variety of Mating and mounting options

MATING CONNECTORS:

Adam Tech D-Subminiatures and all industry standard D-Subminiature connectors.

SPECIFICATIONS:

Material:

Standard insulator: PBT, 30% glass reinforced, rated UL94V-0

Optional Hi-Temp insulator: Nylon 6T

Insulator Colors: Black (White optional)

Contacts: Phosphor Bronze

Shell: Steel, Tin or Zinc plated

Hardware: Brass, Nickel plated

Contact Plating:

Gold Flash (15 and 30 μ m Optional) over Nickel underplate overall

Electrical:

Operating voltage: 250V AC / DC max.

Current rating: 5 Amps max.

Contact resistance: 20 m Ω max. initial

Insulation resistance: 5000 M Ω min.

Dielectric withstanding voltage: 1000V AC for 1 minute

Mechanical:

Insertion force: 0.75 lbs max

Extraction force: 0.44 lbs min

Temperature Rating:

Operating temperature: -65°C to +125°C

Soldering process temperature:

Standard insulator: 235°C

Hi-Temp insulator: 260°C

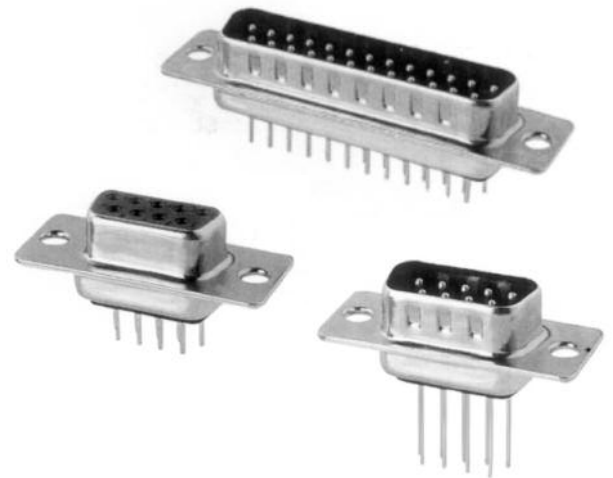
PACKAGING:

Anti-ESD plastic trays

APPROVALS AND CERTIFICATIONS:

UL Recognized File No. E224053

CSA Certified File No. LR1578596



ORDERING INFORMATION



SHELL SIZE/ POSITIONS

DE09 = 9 Position

DA15 = 15 Position

DB25 = 25 Position

DC37 = 37 Position

DD50 = 50 Position

CONTACT TYPE

PT = Plug, Straight PCB Tail, Standard Profile

ST = Socket, Straight PCB Tail, Standard Profile

PE = Plug, Straight PCB Tail, High Profile

SE = Socket, Straight PCB Tail, High Profile

MOUNTING OPTIONS

Blank = .120" Mounting Holes

SL = Bottom side riveted #4-40 Clinch Nuts

JS = Top side riveted #4-40 Jackscrews

BL = Riveted #4-40 Internal Threaded Standoffs with Boardlocks

R = Riveted Round Jack Screws

JSL = Bottom side riveted #4-40 Clinch Nuts with Jack Screws installed

TERMINAL LENGTH

1 = Standard tail length for .062" thru .125" PCB's (E = .189")

2 = Wire wrap tail (E = .512")

OPTIONS:

Add designator(s) to end of part number

15 = 15 μ m gold plating in contact area

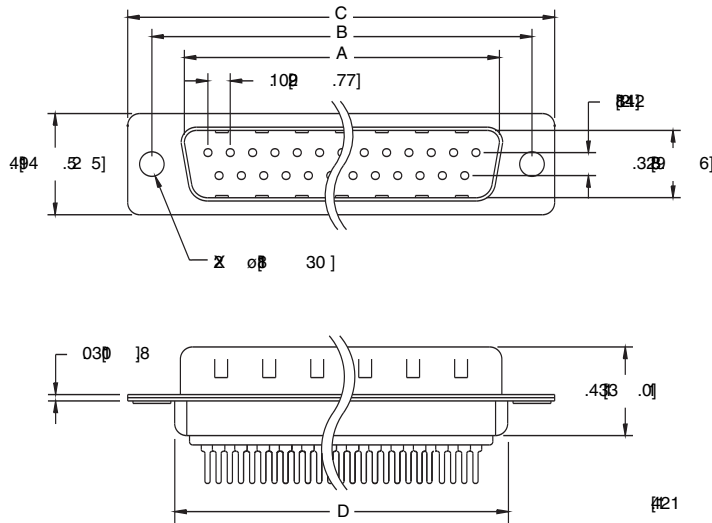
30 = 30 μ m gold plating in contact area

EMI = Ferrite filtered version for EMI / RFI suppression (Page 72)

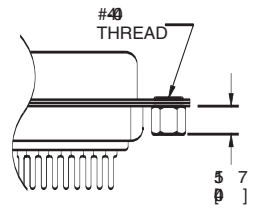
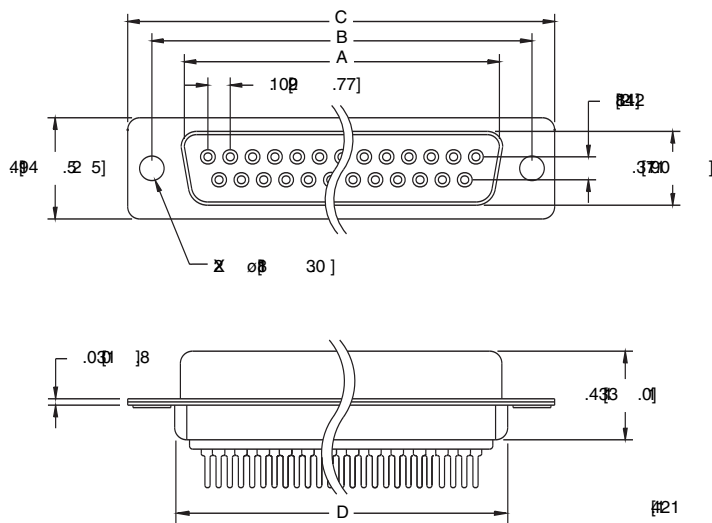
HT = Hi-Temp insulator for hi-temp soldering processes up to 260°C

MOUNTING OPTIONS

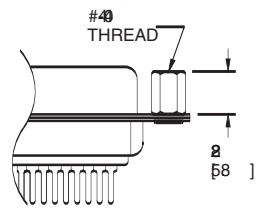
PLUG



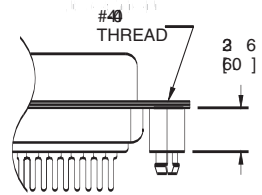
SOCKET



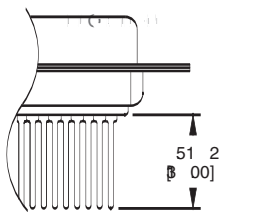
SL Option
Bottom side riveted #4-40 Clinch Nuts



JS Option
Top side riveted #4-40 Jack Screws



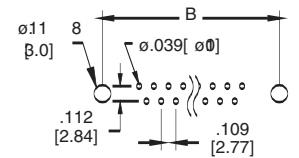
BL Option
#4-40 Threaded Boardlocks



Wire Wrap Tail Option
Terminal length -2 wire wrap tail

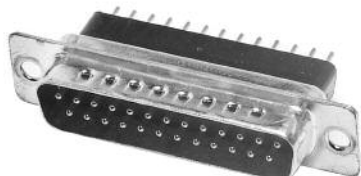
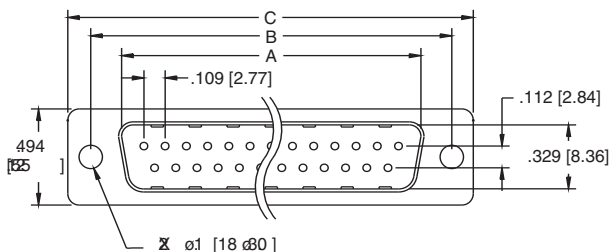
Unit: Inch [mm]

Positions	PLUG	SOCKET	DIMENSIONS		
	A	A	B	C	D
9	.666 [16.92]	.643 [16.33]	.984 [24.99]	1.213 [30.81]	.756 [19.20]
15	.994 [25.25]	.971 [24.66]	1.312 [33.32]	1.541 [39.14]	1.091 [27.70]
25	1.534 [38.96]	1.511 [38.38]	1.852 [47.04]	2.088 [53.04]	1.618 [41.10]
37	2.182 [55.43]	2.159 [54.84]	2.500 [63.50]	2.729 [69.32]	2.256 [57.30]
50	2.079 [52.81]	2.064 [52.43]	2.406 [61.11]	2.637 [67.00]	2.169 [55.10]

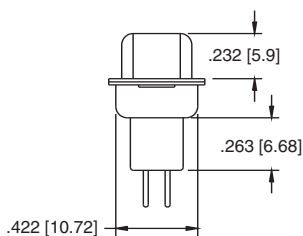
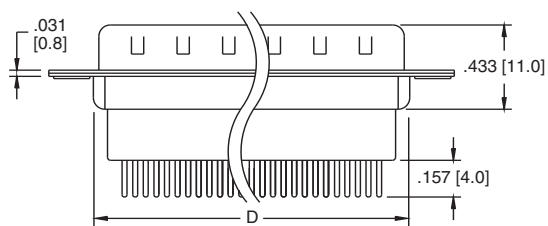


Recommended PCB Layout

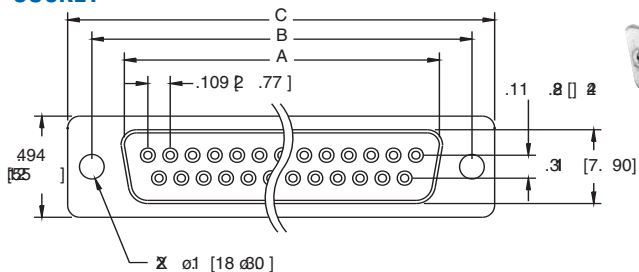
PLUG



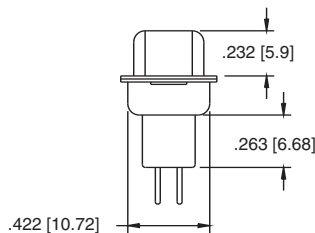
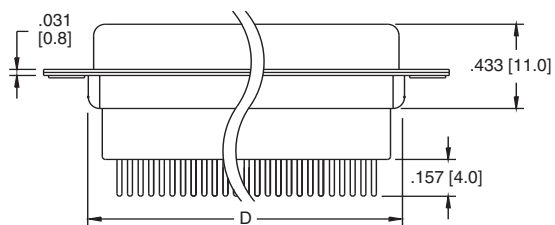
DB25-PE-1



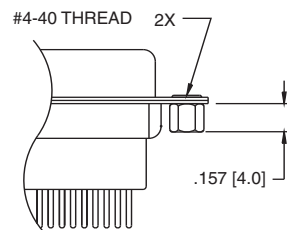
SOCKET



DB25-SE-1

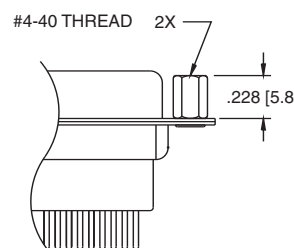


MOUNTING OPTIONS



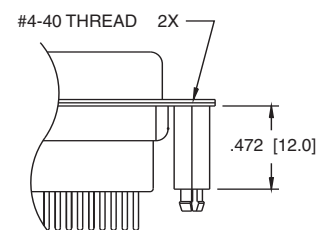
SL Option

Bottom side riveted #4-40
Clinch Nuts



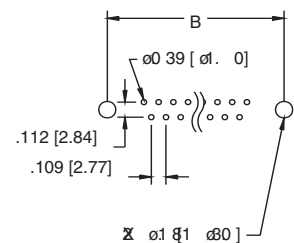
JS Option

Top side riveted #4-40
Jack Screws



BL Option

#4-40 Threaded Boardlocks



Recommended PCB Layout

Unit: Inch [mm]

Positions	PLUG	SOCKET	DIMENSIONS		
	A	A	B	C	D
9	.666 [16.92]	.643 [16.33]	.984 [24.99]	1.213 [30.81]	.756 [19.20]
15	.994 [25.25]	.971 [24.66]	1.312 [33.32]	1.541 [39.14]	1.091 [27.70]
25	1.534 [38.96]	1.511 [38.38]	1.852 [47.04]	2.088 [53.04]	1.618 [41.10]
37	2.182 [55.43]	2.159 [54.84]	2.500 [63.50]	2.729 [69.32]	2.256 [57.30]
50	2.079 [52.81]	2.064 [52.43]	2.406 [61.11]	2.637 [67.00]	2.169 [55.10]

INTRODUCTION:

Adam Tech Combination Signal/Coax D-Sub connectors are a popular interface for many mixed signal I/O applications. Offered in five shell sizes they are a good choice for a low cost industry standard connection that requires utilization of standard signal and high performance, low impedance signals either in signal-coax or signal - power choices. Adam Tech connectors are manufactured with precision stamped standard signal contacts and precision turned coax contacts. These connectors are manufactured with precision stamped contacts offering a choice of contact plating and a wide selection of mating and mounting options.

Electrical:

Operating voltage: 250V AC / DC max.
Signal Current rating: 5 Amps max.
High Power contact current rating: 20 or 40 Amps.
Coaxial Impedance: 50Ω (75Ω optional)
Contact resistance: 20 mΩ max. initial
Insulation resistance: 5000 MΩ min.
Dielectric withstanding voltage: 1000V AC for 1 minute

APPROVALS AND CERTIFICATIONS:

UL Recognized File No. E224053
CSA Certified File No. LR1578596



ORDERING INFORMATION

D13W3

SLP

1

2

SHELL CONFIGURATIONS

D1W1, D2W2, D3W3,
D5W1, D5W5, D7W2,
D8W8, D9W4N,
D11W1, D13W3,
D13W6, D17W2,
D17W5, D21W1,
D21W4, D24W7,
D25W3, D27W2,
D36W4, D43W2

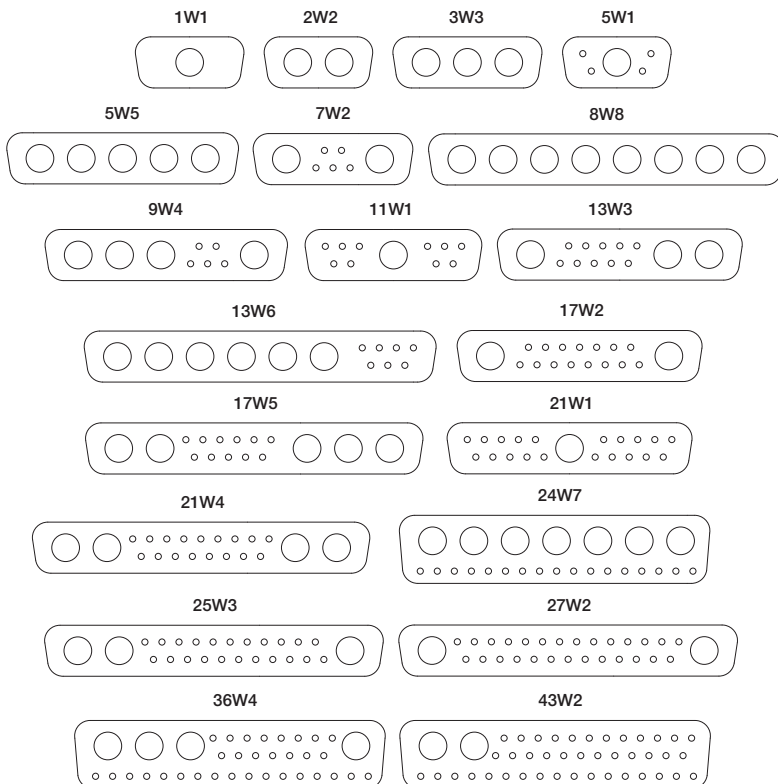
RATING SIGNAL - COAX

1 = 50 Ohm
2 = 75 Ohm

SIGNAL - POWER

3 = 10 Amps
4 = 20 Amps
5 = 30 Amps
6 = 40 Amps
7 = 50 Amps

SHELL CONFIGURATIONS



TYPE

SIGNAL-COAX

PT= Plug, Straight PCB
ST= Socket, Straight PCB
PL= Plug, Right Angle PCB
SL= Socket, Right Angle PCB
PD= Plug, Solder Cup
SD= Socket, Solder Cup

SIGNAL-POWER

PTP= Plug, Straight PCB,
Power Contacts
STP= Socket, Straight PCB,
Power Contacts
PLP= Plug, Right Angle PCB,
Power Contacts
SLP= Socket, Right Angle
PCB, Power Contacts
PDP= Plug, Solder Cup
Power Contacts
SDP= Socket, Solder Cup
Power Contacts

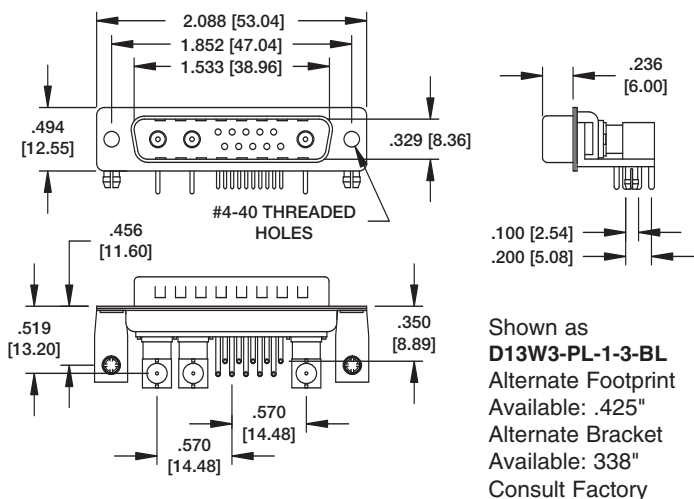
MOUNTING RIGHT ANGLE

- 1 = 120" non-threaded mounting holes, no bracket
- 2 = Short Bracket with #4-40 flush threaded inserts in mounting holes
- 2A = Short Bracket with #4-40 flush threaded inserts in mounting holes Jack Screws installed
- 3 = Long Bracket with #4-40 flush threaded inserts in mounting holes
- 3A = Long Bracket with #4-40 flush threaded inserts in mounting holes Jack Screws installed

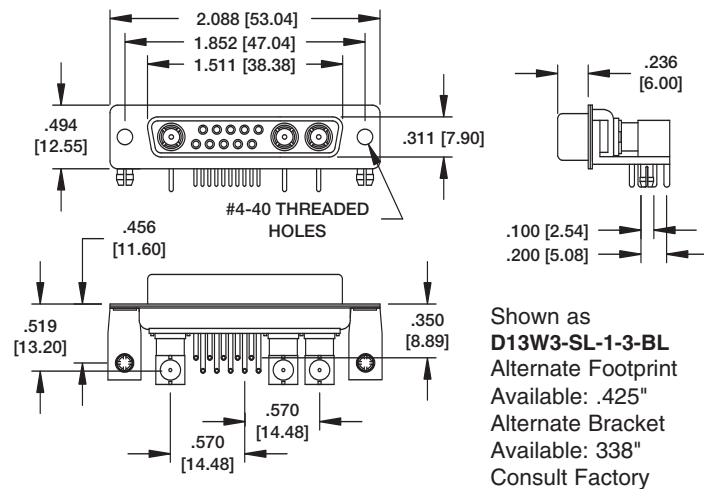
MOUNTING STRAIGHT

- JS = Riveted #4-40 Jack Screws on top of flange
- SL = Riveted #4-40 clinch nuts on bottom of flange
- BL = Riveted Board Locks

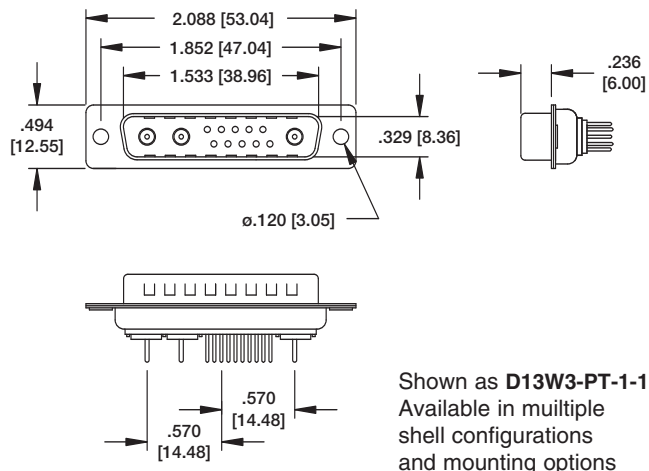
PLUG - RIGHT ANGLE PCB MOUNT SIGNAL-COAX



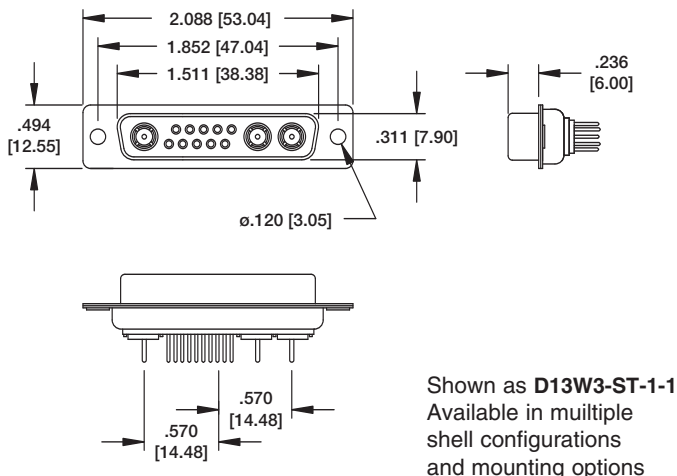
SOCKET - RIGHT ANGLE PCB MOUNT SIGNAL-COAX



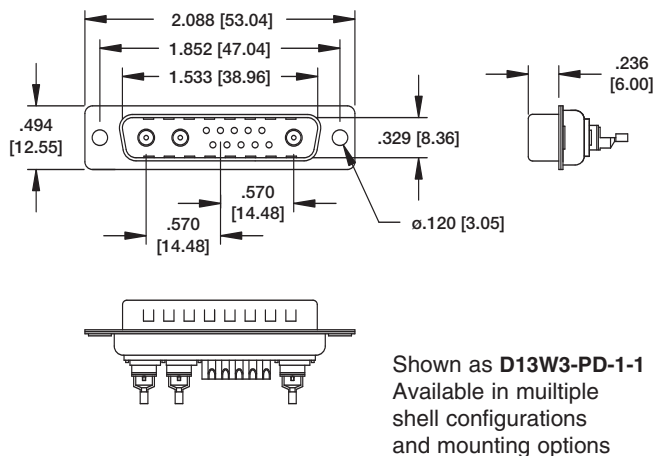
PLUG - STRAIGHT PCB MOUNT SIGNAL-COAX



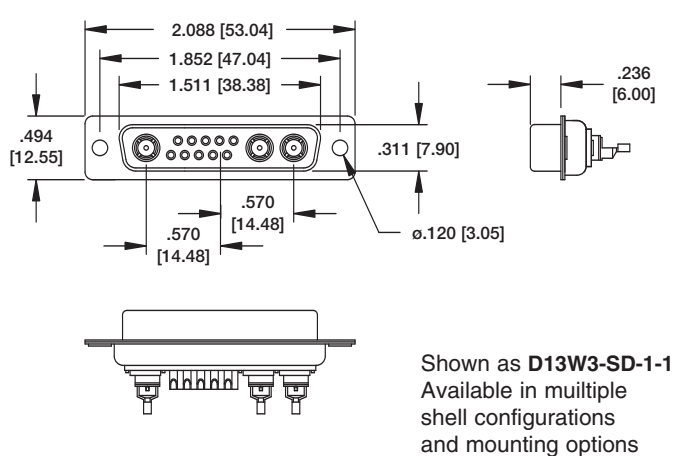
SOCKET - STRAIGHT PCB MOUNT SIGNAL-COAX



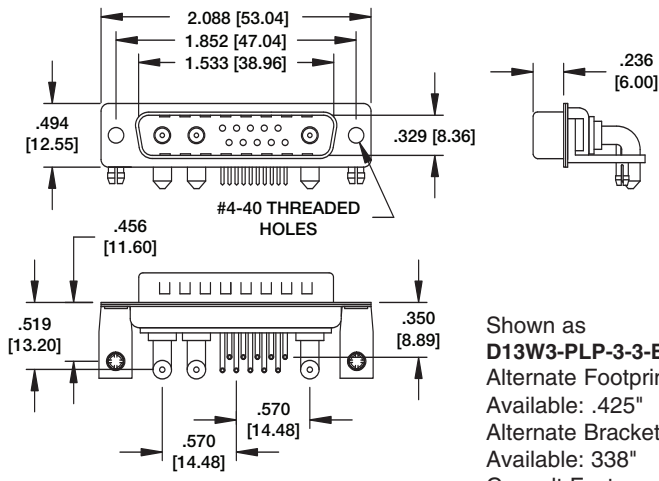
PLUG - STRAIGHT SOLDER CUP SIGNAL-COAX



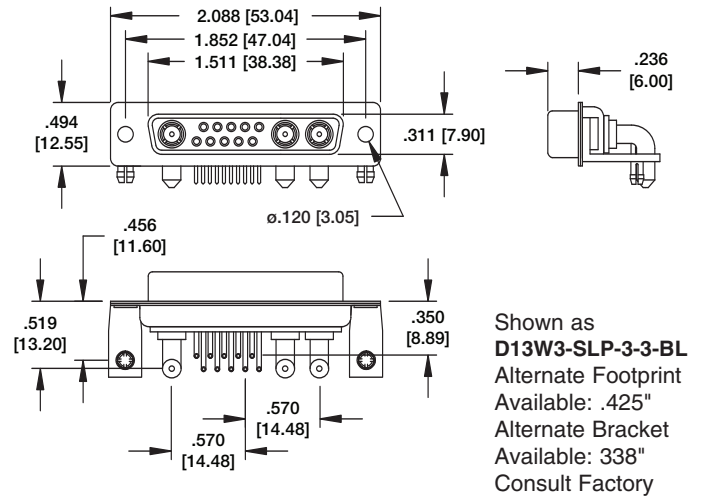
SOCKET - STRAIGHT SOLDER CUP SIGNAL-COAX



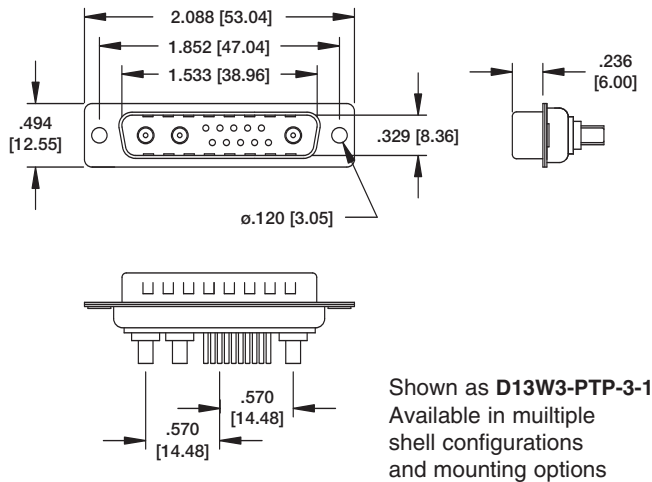
PLUG - RIGHT ANGLE PCB MOUNT SIGNAL-POWER



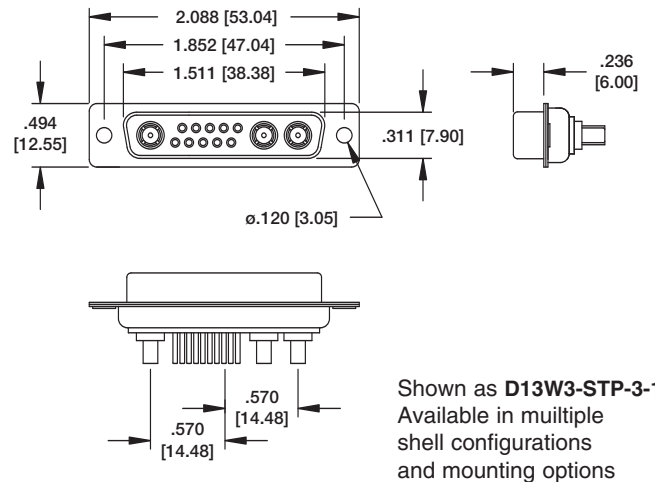
SOCKET - RIGHT ANGLE PCB MOUNT SIGNAL-POWER



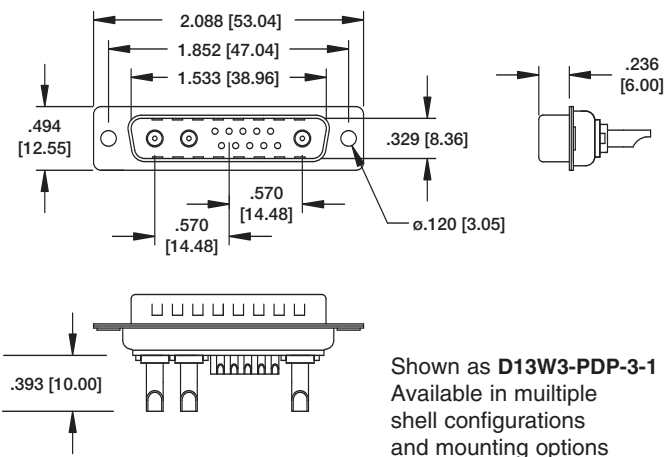
PLUG - STRAIGHT PCB MOUNT SIGNAL-POWER



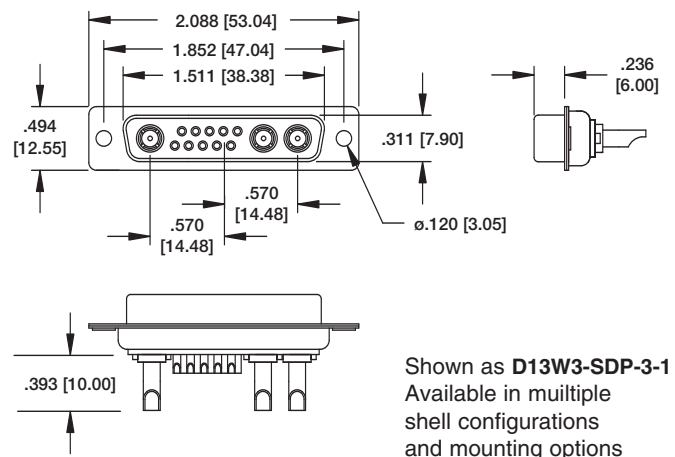
SOCKET - STRAIGHT PCB MOUNT SIGNAL-POWER



PLUG - STRAIGHT SOLDER CUP SIGNAL-POWER



SOCKET - STRAIGHT SOLDER CUP SIGNAL-POWER



INTRODUCTION:

Adam Tech Flush Mount Straight PCB tail D-Sub connectors are a popular interface for many limited space I/O applications. Offered in 9, 15 and 25 positions they are an excellent choice for a low cost industry standard connection and are ideal for low profile design requirements. Adam Tech connectors are manufactured with precision stamped contacts offering a choice of contact plating and a wide selection of mating and mounting options.

FEATURES:

- Low profile space saving design
- Industry standard compatibility
- Durable metal shell design
- Precision formed contacts
- Variety of Mating and mounting options

MATING CONNECTORS:

Adam Tech D-Subminiatures and all industry standard D-Subminiature connectors.

SPECIFICATIONS:

Material:

Standard insulator: PBT, 30% glass reinforced, rated UL94V-0
 Optional Hi-Temp insulator: Nylon 6T
 Insulator Color: Black
 Contacts: Phosphor Bronze
 Shell: Steel, Tin or Zinc plated
 Hardware: Brass, Nickel plated

Contact Plating:

Gold Flash (15 and 30 μ m optional) over Nickel underplate overall.

Electrical:

Operating voltage: 250V AC / DC max.
 Current rating: 5 Amps max.
 Contact resistance: 20 m Ω max. Initial
 Insulation resistance: 5000 M Ω min.
 Dielectric withstanding voltage: 1000V AC for 1 minute

Mechanical:

Insertion force: 0.75 lbs max
 Extraction force: 0.44 lbs min

Temperature Rating:

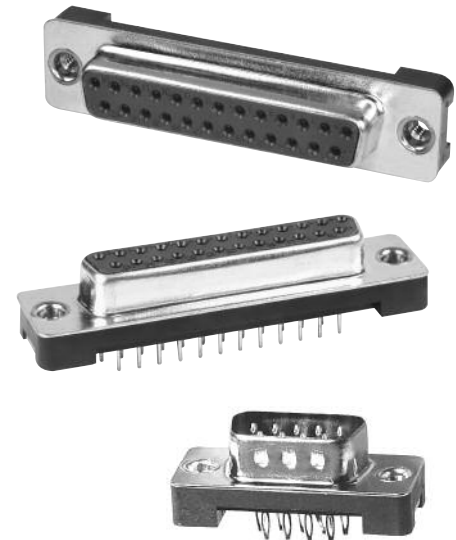
Operating temperature: -65°C to +125°C
 Soldering process temperature:
 Standard insulator: 235°C
 Hi-Temp insulator: 260°C

PACKAGING:

Anti-ESD plastic trays

APPROVALS AND CERTIFICATIONS:

UL Recognized Fil No. E224053
 CSA Certified File No. LR1578596



ORDERING INFORMATION

DB25

SA

M2

SHELL SIZE/ POSITIONS

DE09 = 9 Position
DA15 = 15 Position
DB25 = 25 Position
DC37 = 37 Position

CONTACT TYPE

PA = Plug, Flush mount,
Straight PCB Tail
SA = Socket, Flush Mount,
Straight PCB Tail

MOUNTING OPTIONS

M1 = Thru Holes
Mounting
M2 = Threaded Holes
Mounting
M1-R3 = Riveted Round
Jackscrews
M1-R-BL = Riveted Round
Jackscrews with
Boardlock
M2-JS = Threaded Hole
Mounting with
removable
Jackscrews
M2-BL = Riveted #4-40
Internal Threaded
Standoffs with
Boardlocks
M2-BL-JS = Removable
Jackscrew with
Boardlock

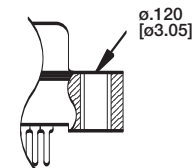
OPTIONS:

Add designator(s) to end of part number
15 = 15 μ m gold plating in contact area
30 = 30 μ m gold plating in contact area
PF = Press Fit Pins
HT = Hi-Temp insulator for hi-temp soldering
processes up to 260°C

MOUNTING OPTIONS

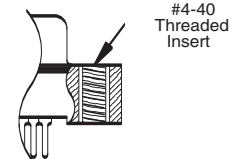
M1 Option

Thru-Hole Mounting



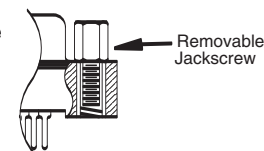
M2 Option

Threaded Hole Mounting



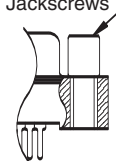
M2-JS

Threaded Hole Mounting with removable Jack Screws



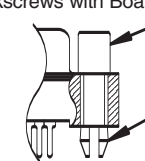
M1-R3

Riveted Round Jackscrews



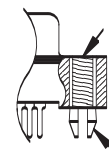
M1-R-BL

Riveted Round Jackscrews with Boardlock



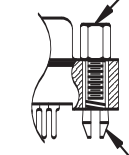
M2-BL

#4-40 Threaded Insert with Boardlock



M2-BL-JS

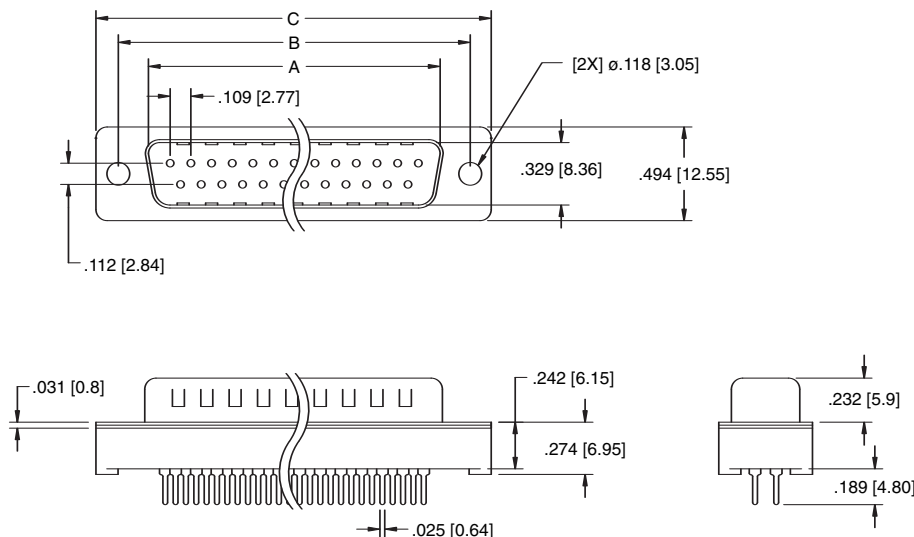
Removable Jackscrew with Boardlock



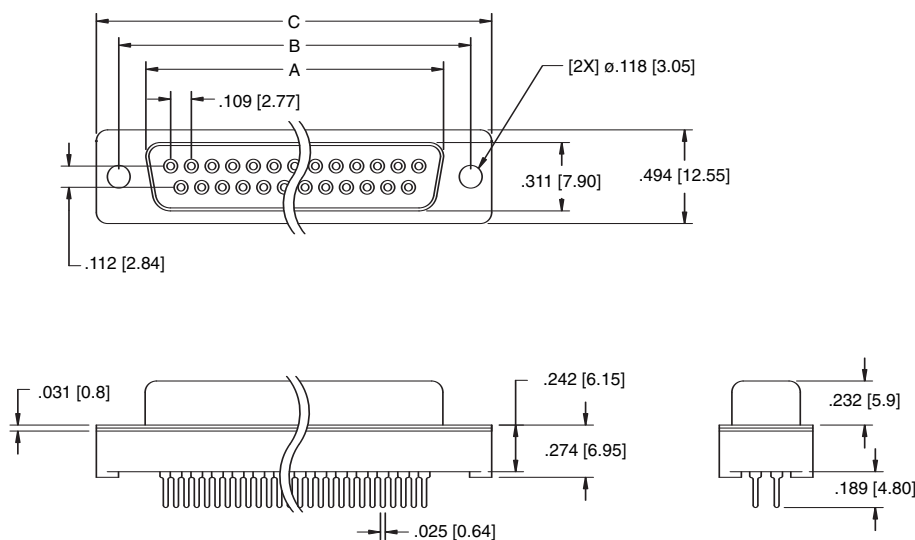
Press Fit PCB Tail Option



PLUG

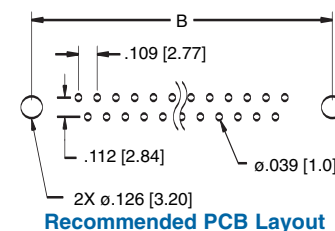


SOCKET



Unit: Inch [mm]

Positions	PLUG	SOCKET	DIMENSIONS	
	A	A	B	C
9	.666 [16.92]	.643 [16.33]	.984 [24.99]	1.213 [30.81]
15	.994 [25.25]	.971 [24.66]	1.312 [33.32]	1.541 [39.14]
25	1.534 [38.96]	1.511 [38.38]	1.852 [47.04]	2.088 [53.04]



INTRODUCTION:

Adam Tech Right Angle slimline PCB tail D-Sub connectors are a popular interface for many I/O applications. Offered in 9, 15 and 25 positions they are an excellent choice for a low cost industry standard connection and are ideal for low profile design requirements. Adam Tech connectors are manufactured with precision stamped contacts offering a choice of contact plating and a wide selection of mating and mounting options.

FEATURES:

- Short profile space saving design
- Industry standard compatibility
- Durable metal shell design
- Precision formed contacts
- Variety of Mating and mounting options

MATING CONNECTORS:

Adam Tech D-Subminiatures and all industry standard D-Subminiature connectors.

SPECIFICATIONS:

Material:

Standard insulator: PBT, 30% glass reinforced, rated UL94V-0
Optional Hi-Temp insulator: Nylon 6T
Insulator Color: Black
Contacts: Phosphor Bronze
Shell: Steel, Tin or Zinc plated
Hardware: Brass, Nickel plated

Contact Plating:

Gold Flash (15 and 30 μ m Optional) over Nickel underplate overall.

Electrical:

Operating voltage: 250V AC / DC max.
Current rating: 5 Amps max.
Contact resistance: 20 m Ω max. initial
Insulation resistance: 5000 M Ω min.
Dielectric withstanding voltage: 1000V AC for 1 minute

Mechanical:

Insertion force: 0.75 lbs max
Extraction force: 0.44 lbs min

Temperature Rating:

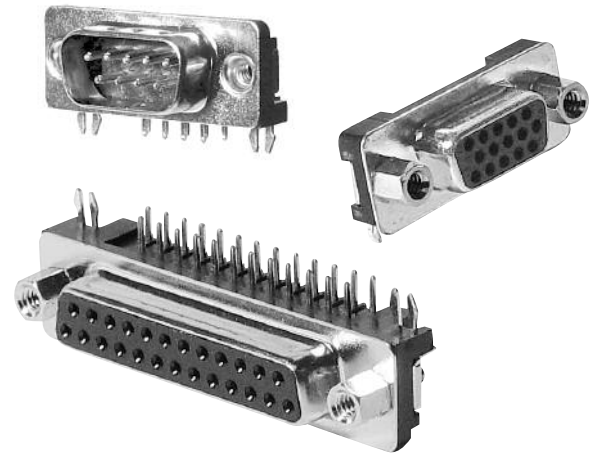
Operating temperature: -65°C to +125°C
Soldering process temperature:
Standard insulator: 235°C
Hi-Temp insulator: 260°C

PACKAGING:

Anti-ESD plastic trays

APPROVALS AND CERTIFICATIONS:

UL Recognized File No. E224053
CSA Certified File No. LR1578596



ORDERING INFORMATION

DB25

SN

24

SHELL SIZE/ POSITIONS

DE09 = 9 Positions
DB25 = 25 Positions
HD15 = High Density
15 Positions

MOUNTING OPTIONS

24 = Forked Boardlocks
for PCB Retention and
#4-40 threaded inserts
in mounting holes
25 = Forked Boardlocks
for PCB retention and
#4-40 threaded inserts
in mounting holes with
installed jackscrews

CONTACT / TYPE

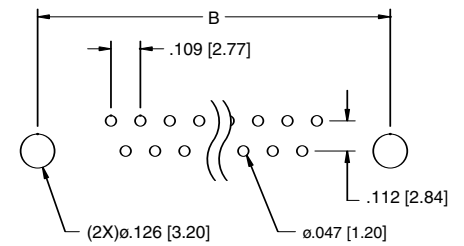
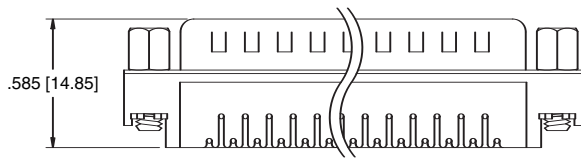
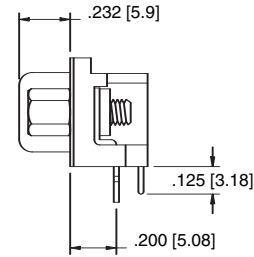
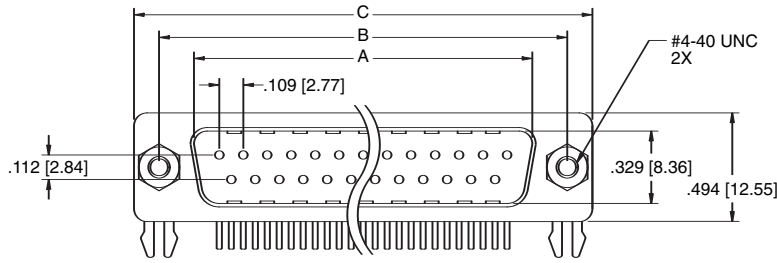
PN = Plug, .197" Slimline
SN = Socket, .197" Slimline

OPTIONS:

Add designator(s) to end of part number

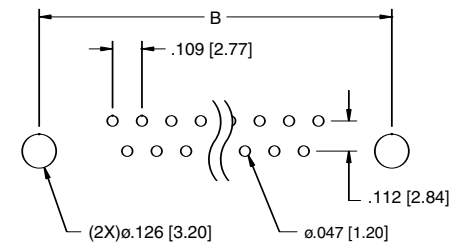
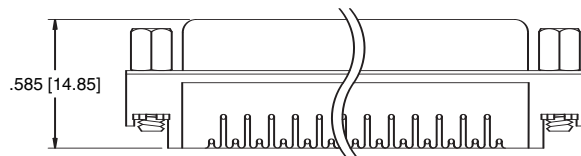
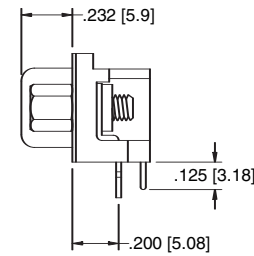
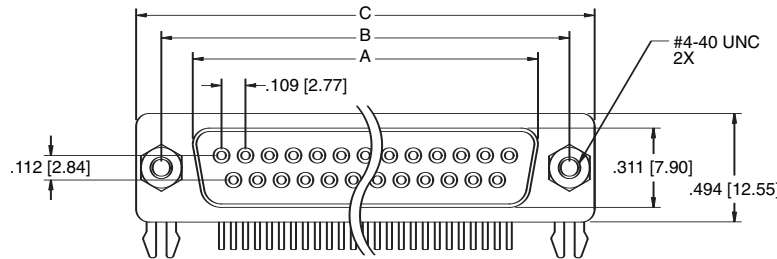
- 15 = 15 μ m gold plating in contact area
- 30 = 30 μ m gold plating in contact area
- LPJ = Loose packed jackscrews
- HT = Hi-Temp insulator for Hi-Temp soldering
processes up to 260°C
- R = Round jackscrews installed

PLUG



Recommended PCB Layout

SOCKET



Recommended PCB Layout

Unit: Inch [mm]

Positions	PLUG	SOCKET	DIMENSIONS	
	A	A	B	C
9	.666 [16.92]	.643 [16.33]	.984 [24.99]	1.213 [30.81]
15	.994 [25.25]	.971 [24.66]	1.312 [33.32]	1.541 [39.14]
25	1.534 [38.96]	1.511 [38.38]	1.852 [47.04]	2.088 [53.04]

INTRODUCTION:

Adam Tech Right Angle slimline SMT D-Sub connectors are a popular interface for many I/O applications. Offered in 9, 15 and 25 positions they are an excellent choice for a low cost industry standard connection and are ideal for low profile design requirements. Adam Tech connectors are manufactured with precision stamped contacts offering a choice of contact plating and a wide selection of mating and mounting options.

FEATURES:

- Short profile space saving design
- Industry standard compatibility
- Durable metal shell design
- Precision formed contacts
- Variety of Mating and mounting options

MATING CONNECTORS:

Adam Tech D-Subminiatures and all industry standard D-Subminiature connectors.

SPECIFICATIONS:

Material:

Insulator: Hi-Temperature thermoplastic, rated UL94V-0
Insulator Color: Black
Contacts: Phosphor Bronze or Brass
Shell: Steel, Tin or Zinc plated
Hardware: Brass, Nickel plated

Contact Plating:

Gold Flash (15 and 30 μ m Optional) over Nickel underplate on mating area, Tin over Copper underplate on SMT tails.

Electrical:

Operating voltage: 250V AC / DC max.
Current rating: 1 Amp max.
Contact resistance: 20 m Ω max. initial
Insulation resistance: 5000 M Ω min.
Dielectric withstanding voltage: 1000V AC for 1 minute

Mechanical:

Insertion force: 0.75 lbs max
Extraction force: 0.44 lbs min

Temperature Rating:

Operating temperature: -65°C to +125°C
Soldering process temperature: 260°C

PACKAGING:

Anti-ESD plastic trays

APPROVALS AND CERTIFICATIONS:

UL Recognized File No. E224053
CSA Certified File No. LR1578596



ORDERING INFORMATION

DB25

SS

24

SHELL SIZE/ POSITIONS

DE09 = 9 Positions
DB25 = 25 Positions
HDL15 = High Density
15P

MOUNTING OPTIONS

24 = Forked Boardlocks
for PCB Retention and
#4-40 threaded inserts
in mounting holes
25 = Forked Boardlocks
for PCB retention and
#4-40 threaded inserts
in mounting holes with
installed jackscrews

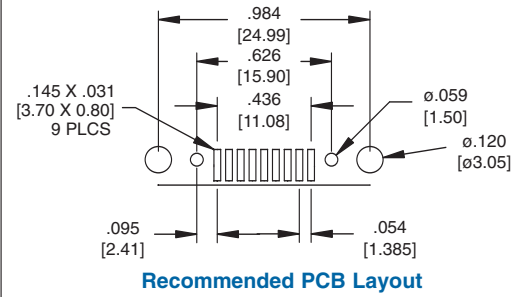
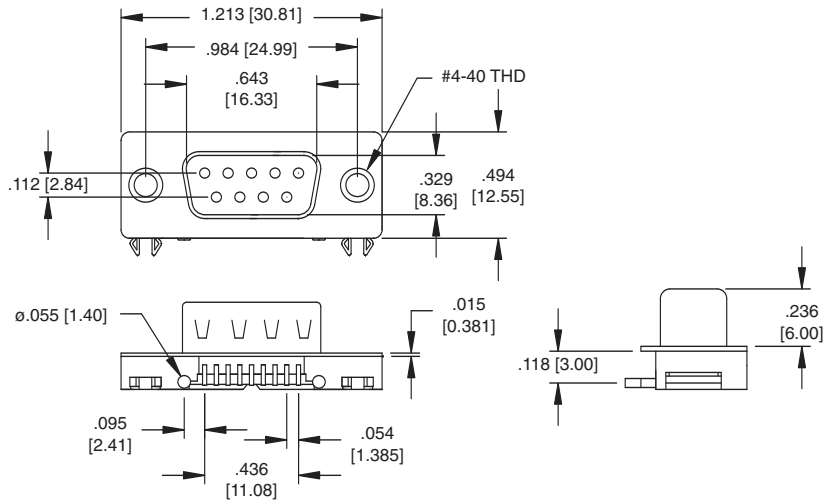
CONTACT / TYPE

PS = Plug Surface Mount
SS = Socket Surface Mount

OPTIONS:

Add designator(s) to end of part number
15 = 15 μ m gold plating in contact area
30 = 30 μ m gold plating in contact area
R = Round jackscrews

9P PLUG

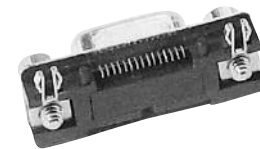
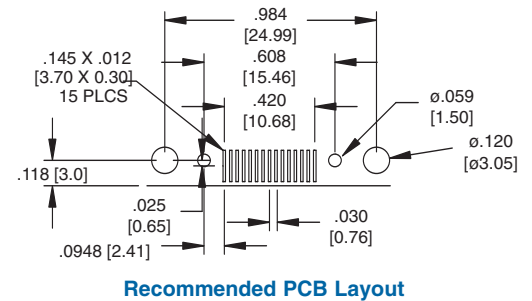
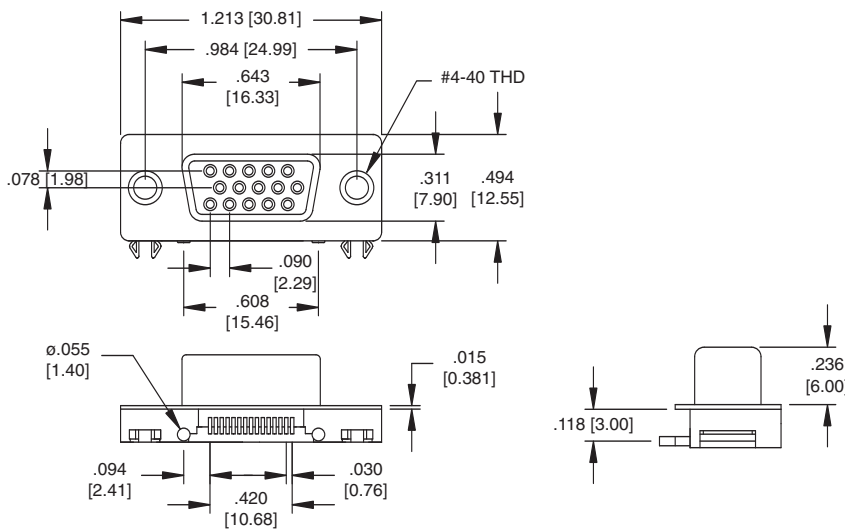


DE09-SS-24



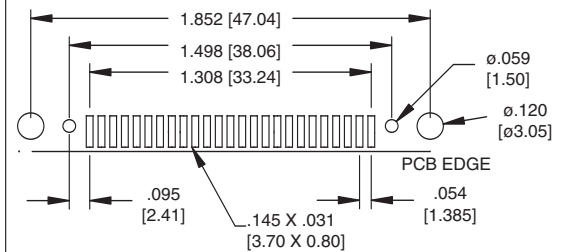
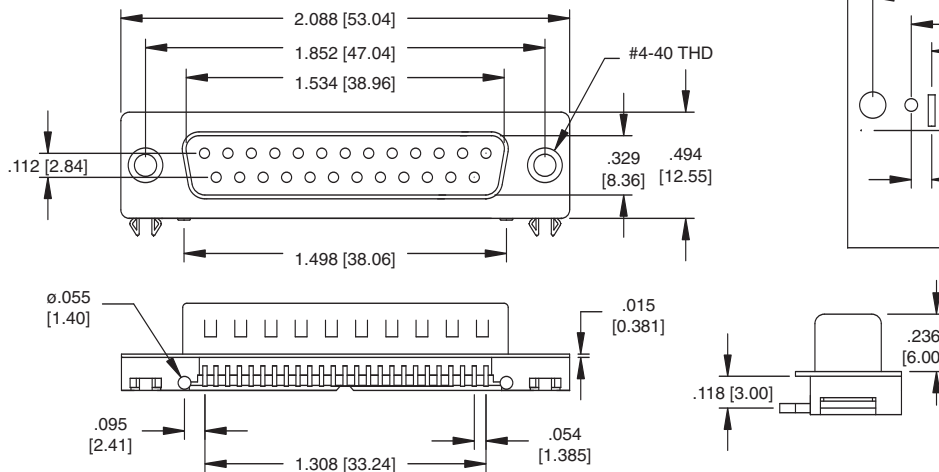
DE09-PS-25

HD15 SOCKET



HDL15-SS-25

25P PLUG



DB25-PS-24

INTRODUCTION

Adam Tech Right Angle .283" footprint Machine Contact PCB D-Sub connectors are a popular interface for many I/O applications. Offered in 9, 15, 25 and 37 positions they are a good choice for a high reliability industry standard connection. These connectors are manufactured with precision machine turned contacts and offer an exceptional high reliability connection. They are available in a choice of contact plating and a wide selection of mating and mounting options.

FEATURES:

- Exceptional Machine Contact connection
- Industry standard compatibility
- Durable metal shell design
- Precision turned screw machined contacts
- Variety of Mating and mounting options

MATING CONNECTORS:

Adam Tech D-Subminiatures and all industry standard D-Subminiature connectors.

SPECIFICATIONS:

Material:

Standard insulator: PBT, 30% glass reinforced, rated UL94V-0
 Optional Hi-Temp insulator: Nylon 6T rated UL94V-0
 Insulator Colors: White (Black optional)
 Contacts: Phosphor Bronze
 Shell: Steel, Tin plated
 Hardware: Brass, Nickel plated

Contact Plating:

Gold Flash (15 and 30 µin Optional) over Nickel underplate.

Electrical:

Operating voltage: 250V AC / DC max.
 Current rating: 5 Amps max.
 Contact resistance: 20 mΩ max. initial
 Insulation resistance: 5000 MΩ min.
 Dielectric withstanding voltage: 1000V AC for 1 minute

Mechanical:

Insertion force: 0.75 lbs max
 Extraction force: 0.44 lbs min

Temperature Rating:

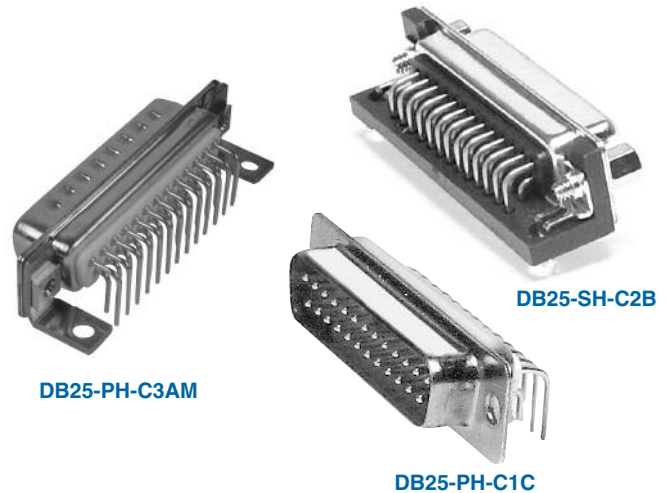
Operating temperature: -65°C to +125°C
 Soldering process temperature:
 Standard insulator: 235°C
 Hi-Temp insulator: 260°C

PACKAGING:

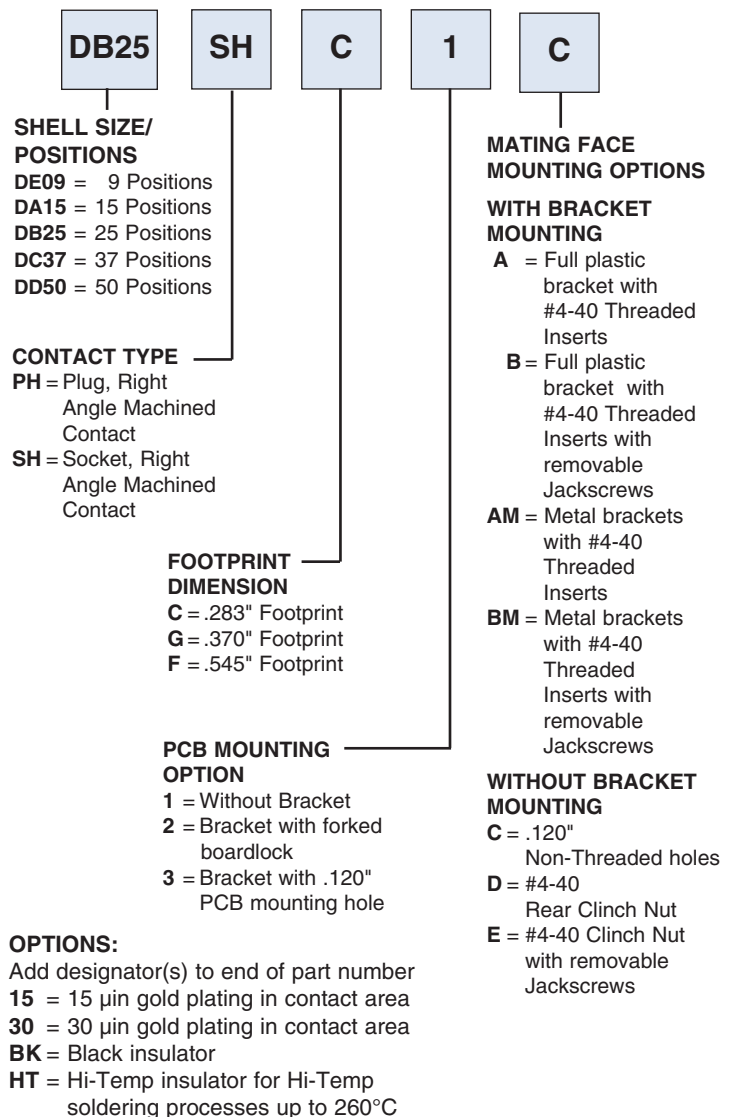
Anti-ESD plastic trays

APPROVALS AND CERTIFICATIONS:

UL Recognized File No. E224053
 CSA Certified File No. LR1578596



ORDERING INFORMATION



OPTIONS:

Add designator(s) to end of part number
 15 = 15 µin gold plating in contact area
 30 = 30 µin gold plating in contact area
 BK = Black insulator
 HT = Hi-Temp insulator for Hi-Temp
 soldering processes up to 260°C

PLUG

.112 [2.84]
 .405 [10.28]
 .329 [8.36] .494 [12.55]
 #4-40 UNC
 .235 [5.97]
 .125 [3.18]
 "X"
 .112 [2.84]
 ø.120 [3.05]

X = FO OTPRINT DISTANCE
 C = .283 [7.20] FOOTPRINT
 G = .370 [9.40] FOOTPRINT
 F = .545 [13.84] FOOTPRINT

Choice of Plastic or Metal Bracket
Metal Bracket version shown

PCB MOUNTING OPTIONS

Option 1: Without Bracket

Option 2: Bracket with Board Lock

Option 3: Bracket with .120" Mounting Hole

SOCKET

.112 [2.84]
 .405 [10.28]
 .329 [8.36] .494 [12.55]
 #4-40 UNC
 .235 [5.97]
 .125 [3.18]
 X
 .112 [2.84]
 ø.120 [3.05]

X = FO OTPRINT DISTANCE
 C = .283 [7.20] FOOTPRINT
 G = .370 [9.40] FOOTPRINT
 F = .545 [13.84] FOOTPRINT

Choice of Plastic or Metal Bracket
Metal Bracket version shown

MATING FACE MOUNTING OPTIONS

Option C: .120" Mounting Hole

Option D: #4-40 Threaded Insert

Option E: #4-40 Threaded Insert with removable Jack Screws

.109 [2.77]
 .112 [2.84]
 ø.043 [1.09]
 ø.125 [3.18]

Recommended PCB Layout 9, 15, 25 & 37 Position

.109 [2.77]
 .112 [2.84]
 ø.043 [1.09]
 ø.125 [3.18]

Recommended PCB Layout 50 Position

Unit: Inch / mm

Positions	PLUG	SOCKET	DIMENSIONS		
	A	A	B	C	D
9	.666 [16.92]	.643 [16.33]	.984 [24.99]	1.213 [30.81]	.436 [11.08]
15	.994 [25.25]	.971 [24.66]	1.312 [33.32]	1.541 [39.14]	.763 [19.39]
25	1.534 [38.96]	1.511 [38.38]	1.852 [47.04]	2.088 [53.04]	1.310 [33.24]
37	2.182 [55.43]	2.159 [54.84]	2.500 [63.50]	2.729 [69.32]	1.963 [49.86]
50	2.790 [52.80]	2.016 [52.34]	2.402 [61.00]	2.646 [67.20]	1.744 [44.32]

INTRODUCTION:

Adam Tech Flat Cable IDC D-Sub connectors are a popular interface for many I/O and cable assembly applications. Offered in 9, 15, 25, 37 and 50 positions they are an excellent choice for a low cost industry standard connection that terminates .050" flat cable quickly, easily and compactly. These connectors are manufactured with precision stamped contacts offering a choice of contact plating and a wide selection of mating and mounting options.

FEATURES:

- Quickly terminates to flat cable
- Industry standard compatibility
- Durable metal shell design
- Integral strain relief available
- Precision formed contacts
- Variety of Mating and mounting options

MATING CONNECTORS:

Adam Tech D-Subminiatures and all industry standard D-Subminiature connectors.

SPECIFICATIONS:

Material:

Insulator: PBT, 30% glass reinforced, rated UL94V-0
Insulator Colors: Black (Blue optional)
Contacts: Phosphor Bronze
Shell: Steel, Tin or Zinc plated
Hardware: Brass, Nickel plated

Contact Plating:

Gold Flash (15 and 30 μ m Optional) over Nickel underplate, Nickel over copper underplate on IDC area

Electrical:

Operating voltage: 250V AC / DC max.
Current rating: 5 Amps max.
Contact resistance: 20 m Ω max. initial
Insulation resistance: 5000 M Ω min.
Dielectric withstanding voltage: 1000V AC for 1 minute

Mechanical:

Insertion force: 0.75 lbs max
Extraction force: 0.44 lbs min
Recommended cable size: 28 to 30 Awg.

Temperature Rating:

Operating temperature: -65°C to +125°C

PACKAGING:

Anti-ESD plastic trays

APPROVALS AND CERTIFICATIONS:

UL Recognized File No. E224053
CSA Certified File No. LR1578596



ORDERING INFORMATION

DB25

SF

M

2

SHELL SIZE/ POSITIONS

DE09 = 9 Position
DA15 = 15 Position
DB25 = 25 Position
DC37 = 37 Position
DD50 = 50 Position

CONTACT TYPE

PF = Plug, IDC
SF = Socket, IDC

MOUNTING OPTIONS

1 = .130" mounting holes
2 = #4-40 threaded
flush inserts
(Metal Shell only)

BODY CONSTRUCTION

M = Metal shell
P = All plastic body

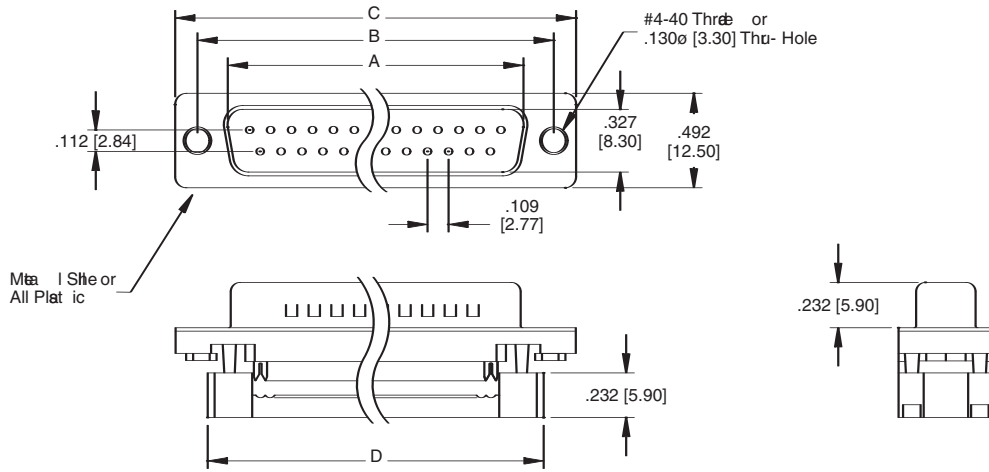
Strain Relief

Part No.:
DSR - xx
(xx = No. of Positions)

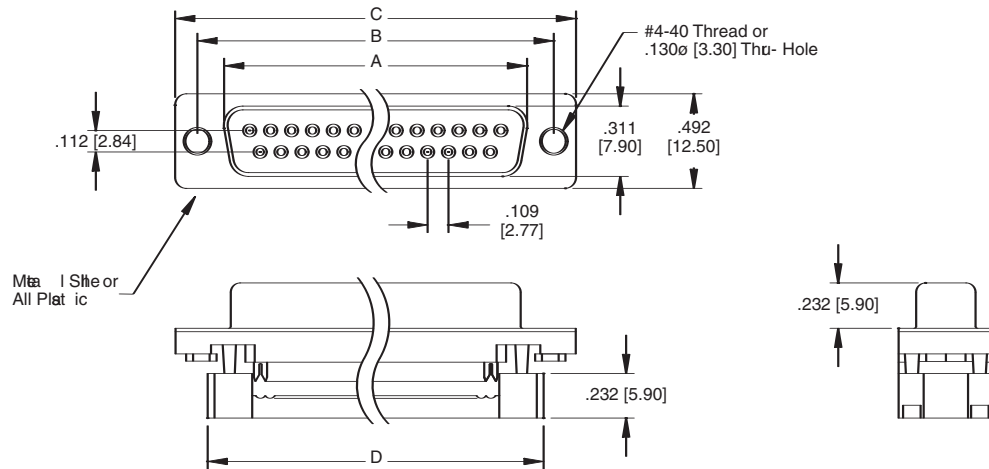
OPTIONS:

Add designator(s) to end of part number
15 = 15 μ m. gold in contact area
30 = 30 μ m. gold in contact area
BU = Blue color insulator

PLUG



SOCKET



Unit: Inch [mm]

Positions	PLUG	SOCKET	DIMENSIONS		
	A	A	B	C	D
9	.666 [16.92]	.643 [16.33]	.984 [24.99]	1.213 [30.81]	.883 [22.44]
15	.994 [25.25]	.971 [24.66]	1.312 [33.32]	1.541 [39.14]	1.213 [30.81]
25	1.534 [38.96]	1.511 [38.38]	1.852 [47.04]	2.088 [53.04]	1.755 [44.57]
37	2.182 [55.43]	2.159 [54.84]	2.500 [63.50]	2.729 [69.32]	2.414 [61.32]

INTRODUCTION:

Adam Tech Solder Cup D-Sub connectors are a popular interface for many I/O applications. Offered in 9, 15, 25, 37 and 50 positions, they are an excellent choice for a low cost industry standard connection. These connectors are manufactured with precision stamped contacts, and offer a wide selection of mating and mounting options. Adam Tech Solder Cup connectors can be soldered to cable ends or mounted directly to a PCB card edge.

FEATURES:

- Cable or edge card mounting
- Industry standard compatibility
- Durable metal shell design
- Precision formed contacts
- Mating and mounting options

MATING CONNECTORS:

Adam Tech D-Subminiatures and all industry standard D-Subminiature connectors.

SPECIFICATIONS:

Material:

Insulator: PBT, 30% glass reinforced, rated UL94V-0
Insulator Colors: Black (White optional)
Contacts: Phosphor Bronze
Shell: Steel, Tin or Zinc plated
Hardware: Brass, Nickel plated

Contact Plating:

Gold Flash (15 and 30 μ m Optional) over Nickel underplate underall.

Electrical:

Operating voltage: 250V AC / DC max.
Current rating: 5 Amps max.
Contact resistance: 20 m Ω max. initial
Insulation resistance: 5000 M Ω min.
Dielectric withstanding voltage: 1000V AC for 1 minute

Mechanical:

Insertion force: 0.75 lbs max
Extraction force: 0.44 lbs min

Temperature Rating:

Operating temperature: -65°C to +125°C

PACKAGING:

Anti-ESD plastic trays

APPROVALS AND CERTIFICATIONS:

UL Recognized File No. E224053
CSA Certified File No. LR1578596



ORDERING INFORMATION



SHELL SIZE/ POSITIONS

DE09 = 9 Position
DA15 = 15 Position
DB25 = 25 Position
DC37 = 37 Position
DD50 = 50 Position

MOUNTING OPTIONS

Blank = .120" Mounting Holes
SL = Bottom Side
Riveted, #4-40
clinch nuts
JS = Top Side
Riveted, #4-40
Jack Screws

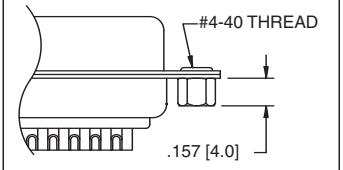
CONTACT TYPE

PD = Solder Cup, Plug
SD = Solder Cup, Socket

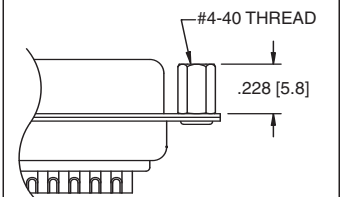
OPTIONS:

Add designator(s) to end of part number
15 = 15 μ m gold plating in contact area
30 = 30 μ m gold plating in contact area
EMI = Ferrite filtered version for EMI / RFI
suppression (Page 72)
WT = White Color Insulator

MOUNTING OPTIONS

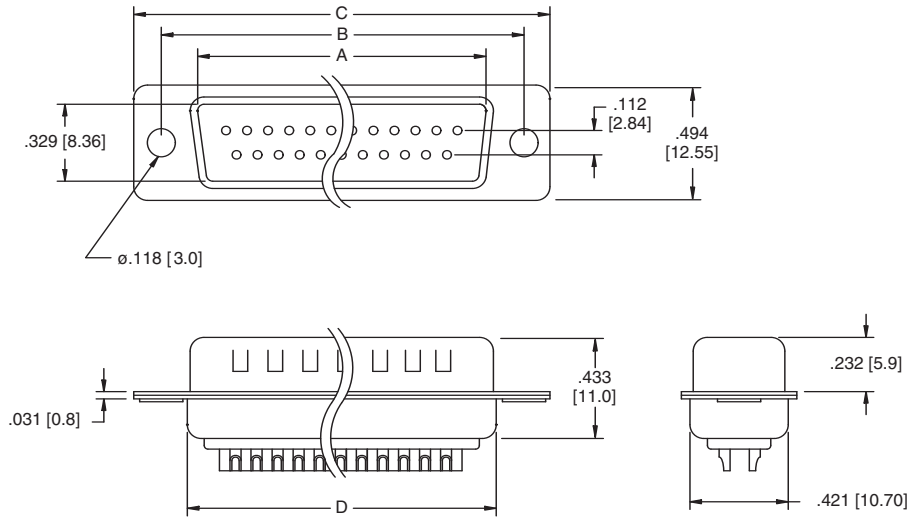


SL Option
Bottom side riveted #4-40 Clinch Nuts

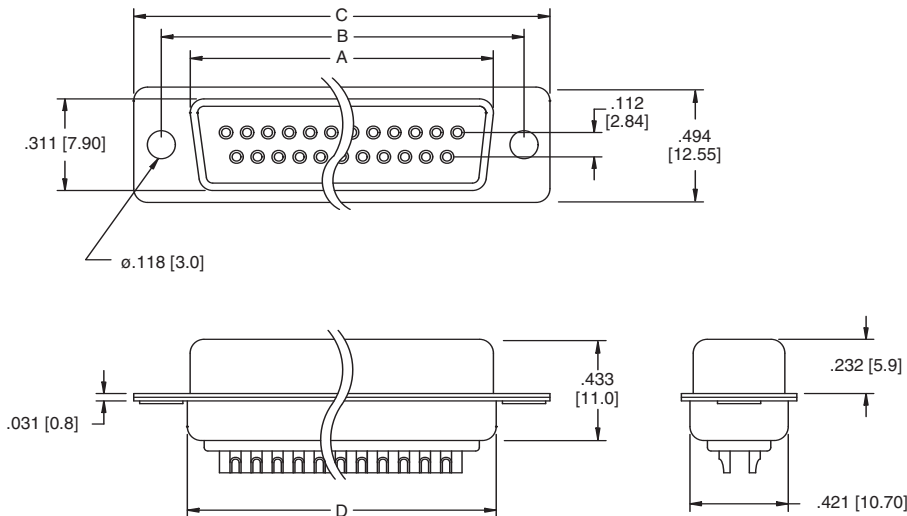


JS Option
Top side riveted #4-40 Jack Screws

PLUG



SOCKET



Unit: Inch [mm]

Positions	PLUG	SOCKET	DIMENSIONS		
	A	A	B	C	D
9	.666 [16.92]	.643 [16.33]	.984 [24.99]	1.213 [30.81]	.756 [19.20]
15	.994 [25.25]	.971 [24.66]	1.312 [33.32]	1.541 [39.14]	1.091 [27.70]
25	1.534 [38.96]	1.511 [38.38]	1.852 [47.04]	2.088 [53.04]	1.618 [41.10]
37	2.182 [55.43]	2.159 [54.84]	2.500 [63.50]	2.729 [69.32]	2.256 [57.30]
50	2.079 [52.81]	2.064 [52.43]	2.406 [61.11]	2.637 [67.00]	2.169 [55.10]

INTRODUCTION:

Adam Tech Crimp and Poke D-Sub connectors are a popular interface for many I/O applications. Offered in 9, 15, 25, 37 and 50 positions they are a low cost alternative to soldering a connector to cable. Contacts are crimped onto discrete wires and pushed into the connector body. The connector is comprised of a metal shell and plastic insulator and is available with a variety of mating options. The contacts are precision stamped and are available in a variety of platings.

FEATURES:

- Low cost no solder alternative
- Industry standard compatibility
- Durable metal shell design
- Precision formed contacts
- Variety of Mating and mounting options

MATING CONNECTORS:

Adam Tech D-Subminiatures and all industry standard D-Subminiature connectors.

SPECIFICATIONS:

Material:

Insulator: PBT, 30% glass reinforced, rated UL94V-0
Insulator Color: Black

Contacts: Phosphor Bronze
Shell: Steel, Tin or Zinc plated
Hardware: Brass, Nickel plated

Contact Plating:

Gold Flash (15 and 30 μ m Optional) over Nickel underplate.

Electrical:

Operating voltage: 250V AC / DC max.
Current rating: 5 Amps max.
Contact resistance: 20 m Ω max. initial
Insulation resistance: 5000 M Ω min.
Dielectric withstanding voltage: 1000V AC for 1 minute

Mechanical:

Insertion force: 0.75 lbs max
Extraction force: 0.44 lbs min

Temperature Rating:

Operating temperature: -65°C to +125°C

PACKAGING:

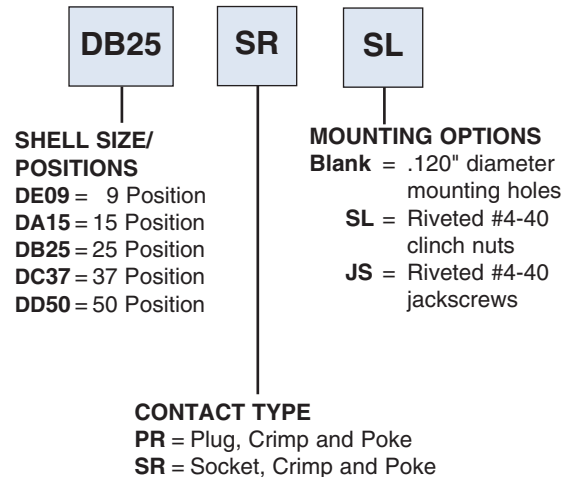
Anti-ESD plastic trays

APPROVALS AND CERTIFICATIONS:

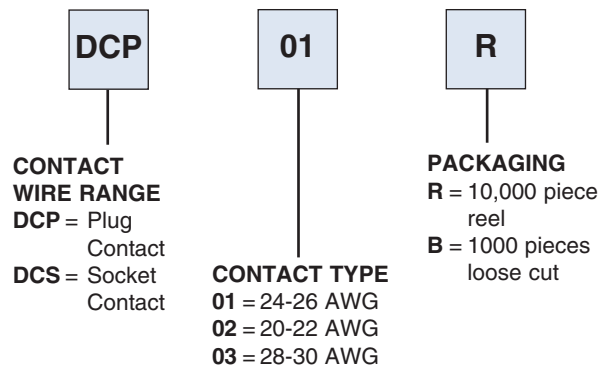
UL Recognized File No. E224053
CSA Certified File No. LR1578596



ORDERING INFORMATION HOUSING



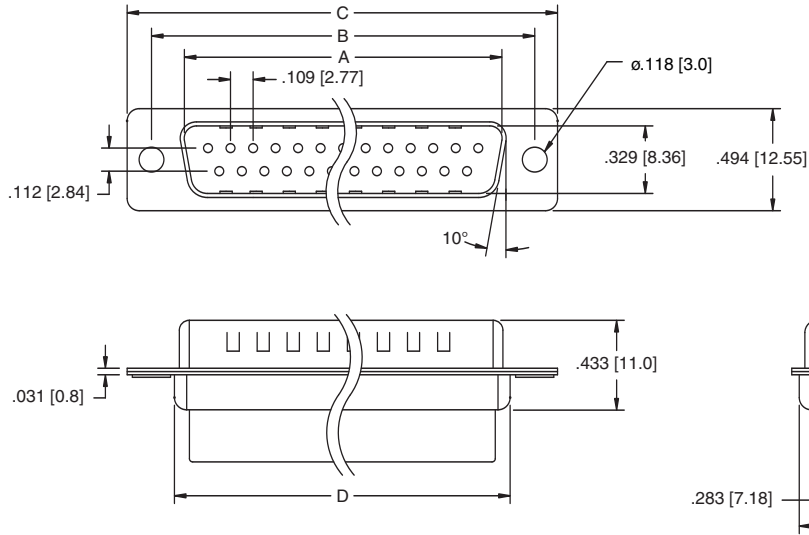
CONTACTS



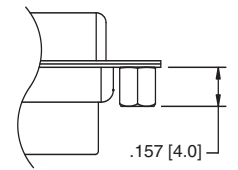
OPTIONS:

- Add designator(s) to end of part number
- 15 = 15 μ m gold plating in contact area on crimp contacts
 - 30 = 30 μ m gold plating in contact area on crimp contacts

PLUG HOUSING

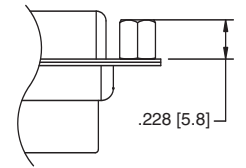
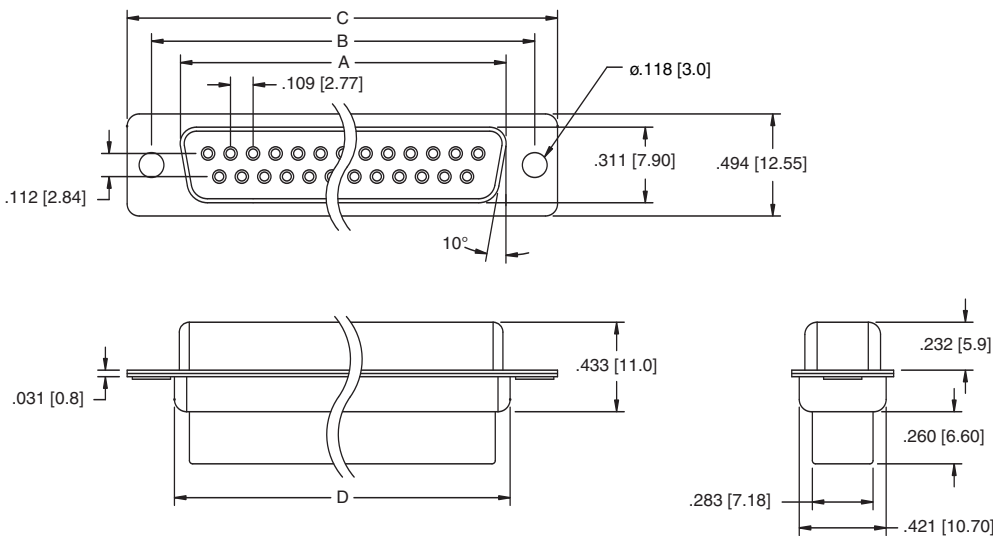


MOUNTING OPTIONS



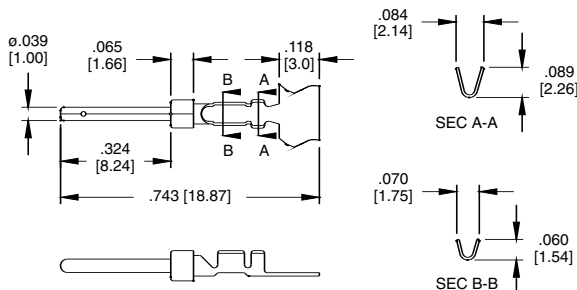
SL Option
Bottom side riveted #4-40
Clinch Nuts

SOCKET HOUSING

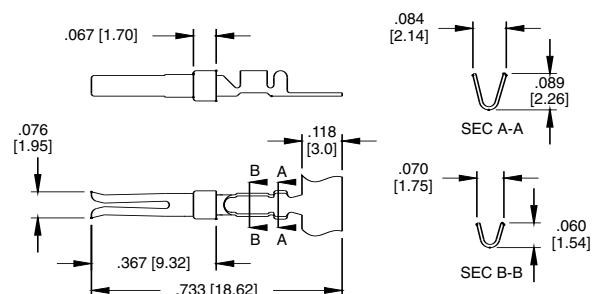


JS Option
Top side riveted #4-40
Jack Screws

PLUG CRIMP CONTACTS



SOCKET CRIMP CONTACTS



INTRODUCTION:

Adam Tech Dual Port D-Sub connectors are a popular space saving interface for many I/O applications. Offered in 9, 15, 25, 37 and 50 positions they are a good choice for a low cost industry standard connection and are ideal for PCB space saving applications. These connectors are manufactured with precision stamped contacts and are available in a number of connector combinations including same and mixed gender, mixed density and mixed interface. Options include a choice of contact plating and a variety of mating, mounting and grounding options.

FEATURES:

- Stacked space saving design
- Industry standard compatibility
- Durable metal shell design
- Precision formed contacts
- Variety of Mating and mounting options

MATING CONNECTORS:

Adam Tech D-Subminiatures and all industry standard D-Subminiature connectors.

SPECIFICATIONS:

Material:

Insulator: PBT, 30% glass reinforced, rated UL94V-0
 Insulator Color: Black
 Contacts: Phosphor Bronze
 Shell: Steel, Tin or Zinc plated
 Hardware: Brass, Nickel plated

Contact Plating:

Gold Flash (15 and 30 µin Optional) over Nickel underplate overall.

Electrical:

Operating voltage: 250V AC / DC max.
 Current rating: 5 Amps max.
 Contact resistance: 20 mΩ max. initial
 Insulation resistance: 5000 MΩ min.
 Dielectric withstanding voltage: 1000V AC for 1 minute

Mechanical:

Insertion force: 0.75 lbs max
 Extraction force: 0.44 lbs min

Temperature Rating:

Operating temperature: -65°C to +125°C

PACKAGING:

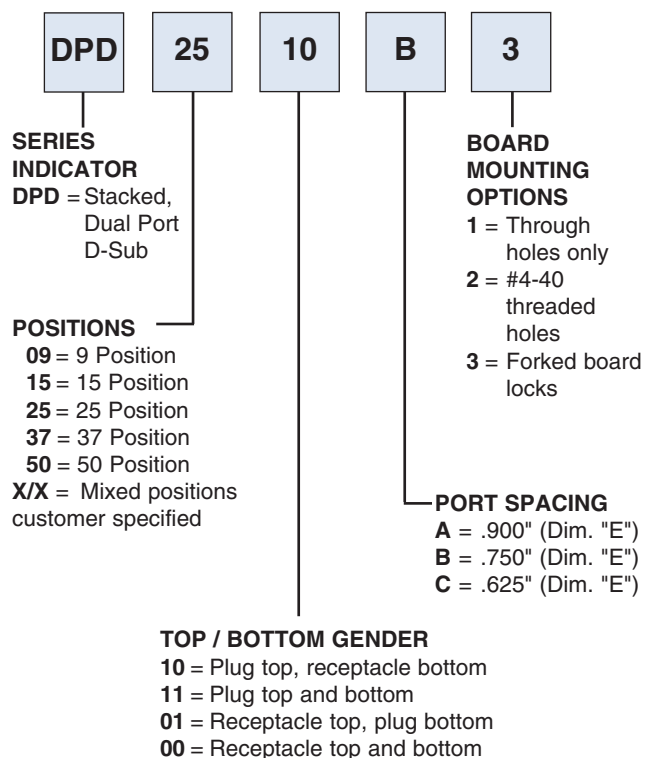
Anti-ESD plastic trays

APPROVALS AND CERTIFICATIONS:

UL Recognized File No. E224053
 CSA Certified File No. LR1578596



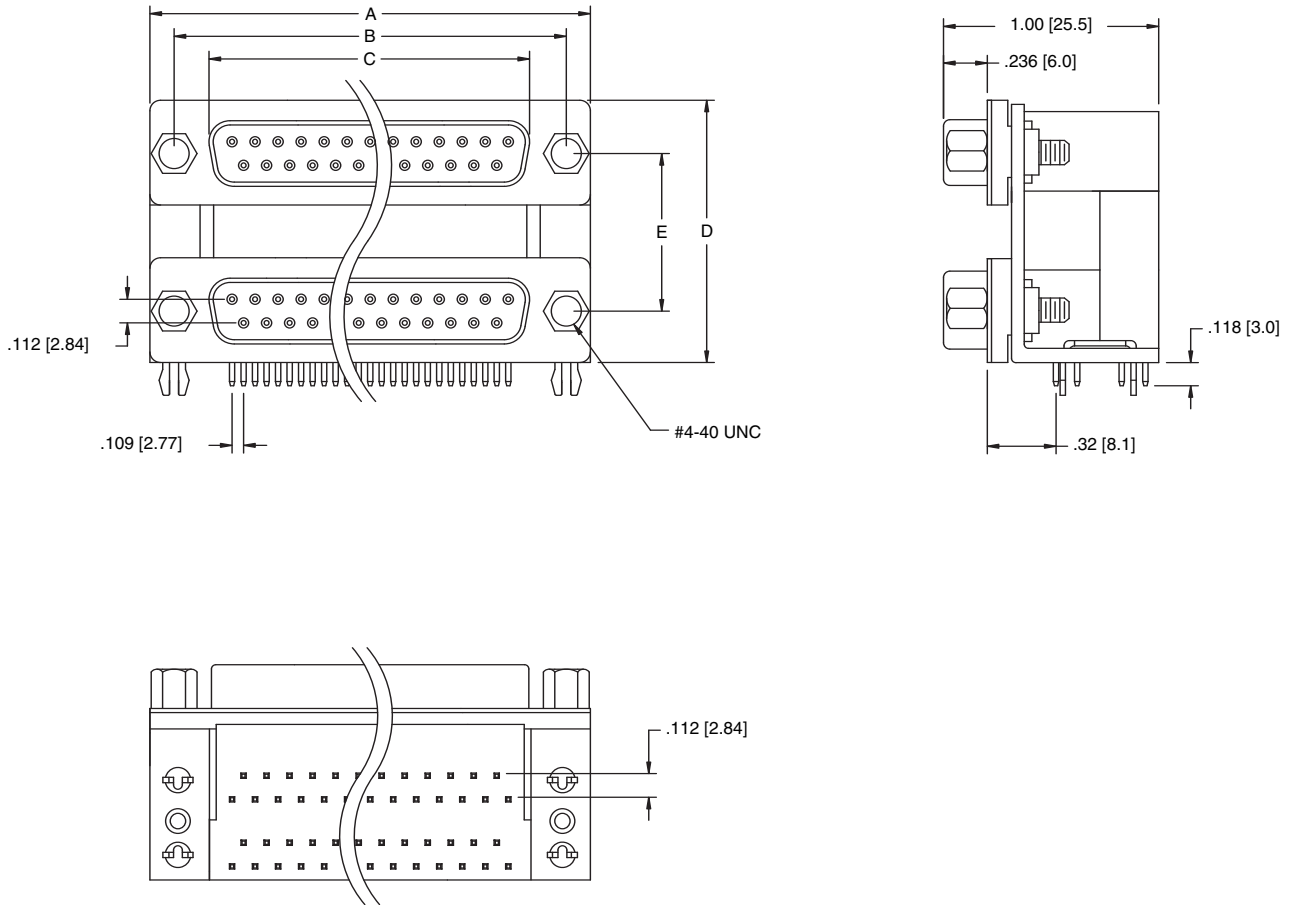
ORDERING INFORMATION



OPTIONS:

Add designator(s) to end of part number
15 = 15 µin gold plating in contact area
30 = 30 µin gold plating in contact area
JS = #4-40 Jackscrews installed
R = Rear boardlocks only
F = Four prong board lock

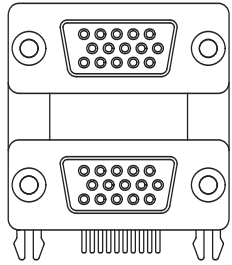
DUAL PORT, STACKED RIGHT ANGLE



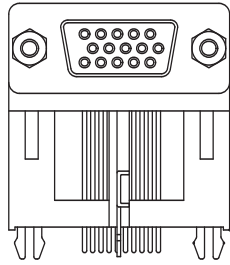
See page 100 for examples of various types we manufacture

Unit: Inch [mm]

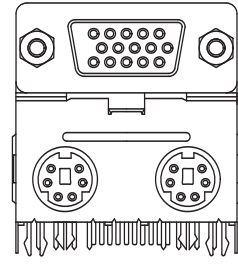
Positions	PLUG	SOCKET	DIMENSIONS					
	A	A	B	C	D	E		
9	.666 [16.92]	.643 [16.33]	.984 [24.99]	1.213 [30.81]	PORT HEIGHTS	PORT TO PORT CENTERLINE		
15	.994 [25.25]	.971 [24.66]	1.312 [33.32]	1.541 [39.14]			1.394 [35.41]	.900 [22.86]
25	1.534 [38.96]	1.511 [38.38]	1.852 [47.04]	2.088 [53.04]			1.244 [31.60]	.750 [19.05]
37	2.182 [55.43]	2.159 [54.84]	2.500 [63.50]	2.729 [69.32]			1.119 [28.42]	.625 [15.88]
50	2.079 [52.81]	2.064 [52.43]	2.406 [61.11]	2.637 [67.00]				



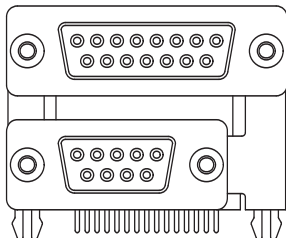
15P HD D-Sub over 15P HD D-Sub



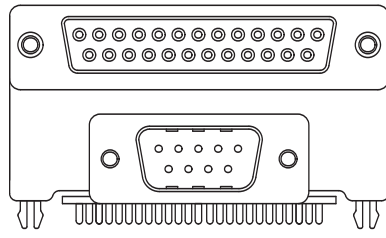
15P HD D-Sub Elevated



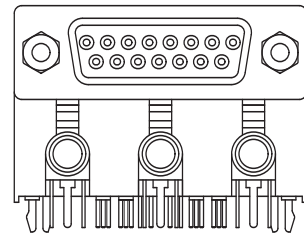
15P HD D-Sub over Dual Mini DINs



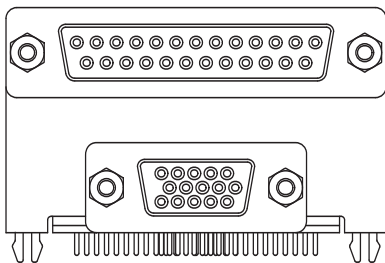
15P D-Sub over 9P D-Sub



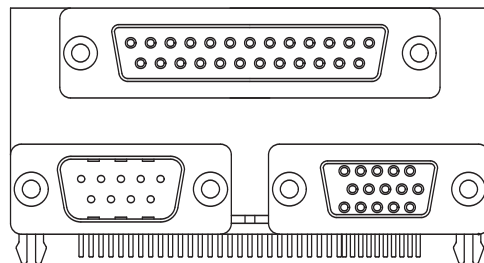
25P D-Sub over 9P D-Sub



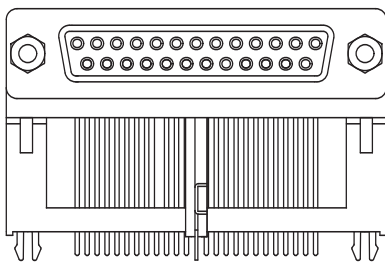
15P D-Sub over Ganged Stereo Jacks



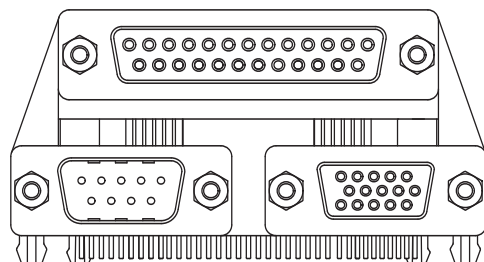
25P D-Sub over HD 15P D-Sub



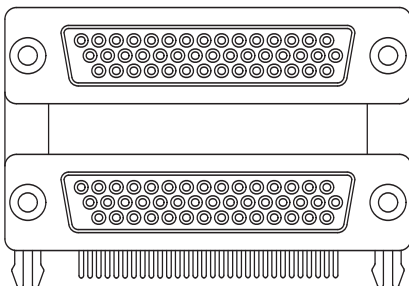
25P D-Sub over 9P D-Sub & HD 15P D-Sub



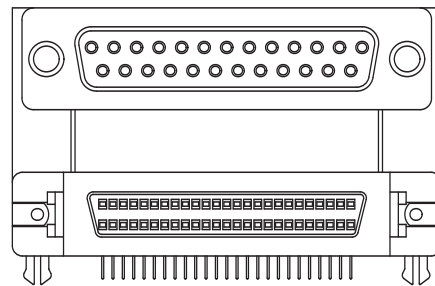
25P D-Sub Elevated



25P D-Sub over 9P D-Sub & HD 15P D-Sub



44P HD D-Sub over 44P HD D-Sub



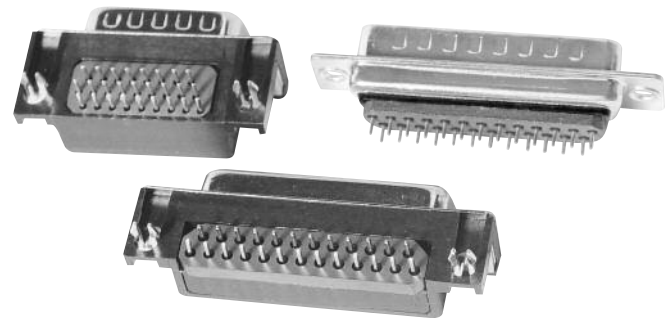
25P D-Sub over 50P SCSI II

INTRODUCTION:

Adam Tech EMI filtered D-Sub option includes the addition of a high performance Ferrite Filter which surrounds each contact and provides a low cost EMI answer for high frequency interference. Our ferrite filtered D-Subs are direct drop-in replacements with our standard unfiltered D-Subs with the same footprint.

FEATURES:

Direct replacement for standard non-filtered parts
 Low cost alternative to passive component types
 Significant reduction of noise at high frequencies

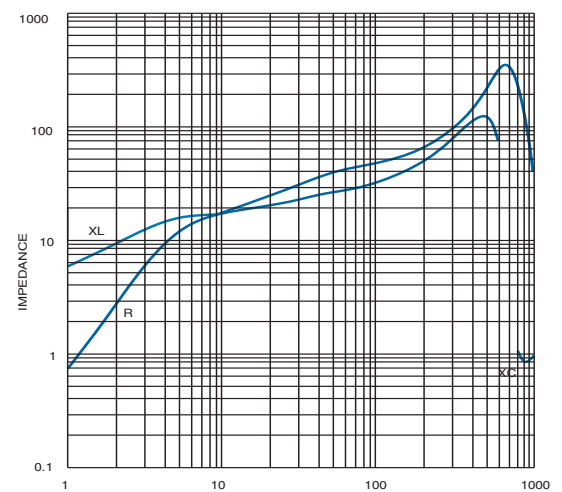


See pgs. 72,75,78,94,104,106,108 for ordering information

AdamTech offers a complete range of ferrite filtered D-Subs to satisfy EMI/RFI emissions in most applications. This series offers filtered connectors in a multitude of terminations, mating and mounting options.

- Drop in replacement for standard D-Subs
- Low applied cost
- Significant reduction of noise at high frequencies

Typical Performance



* Consult factory for specific part number impedance performance.

9 Position

FREQ (MHZ)

	1	5	10	25	30	40	50	100	200
XC-									
XL-	5.4	15	18	23	25	26	28	34	51
R-	0.656	11	18	29	32	37	40	50	64

	300	400	500	600	700	800	900	1000
XC-					1.27	0.807	0.856	0.977
XL-	73	101	122	57				
R-	84	121	199	342	344	170	77	40

25 Position

FREQ (MHZ)

	1	5	10	25	30	40	50	100	200
XC-									
XL-	4	14	18	22	24	26	27	35	55
R-	0.309	8.4	15	26	29	33	36	46	59

	300	400	500	600	700	800	900	1000
XC-					0.983	0.762	0.851	0.986
XL-	81	115	147	65				
R-	79	119	210	394	356	150	65	34

15 Position

FREQ (MHZ)

	1	5	10	25	30	40	50	100	200
XC-									
XL-	3.6	15.9	19	24	25	27	28	36	54
R-	0.116	8.4	16	28	31	35	39	49	62

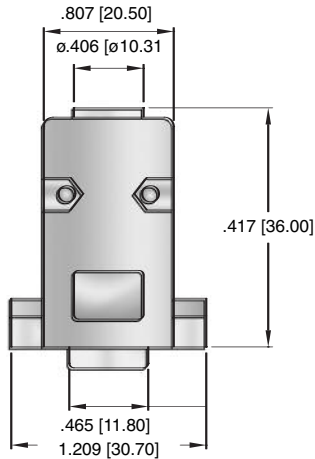
	300	400	500	600	700	800	900	1000
XC-					0.998	0.78	0.864	0.996
XL-	80	112	138	48				
R-	83	124	215	389	339	147	64	33

37 Position

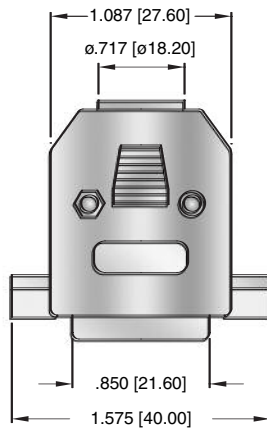
FREQ (MHZ)

	1	5	10	25	30	40	50	100	200
XC-									
XL-	4.9	16	20	25	27	28	30	36	53
R-	0.45	8.4	15	26	29	33	36	46	59

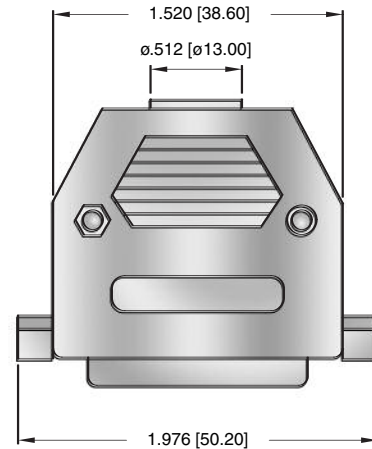
	300	400	500	600	700	800	900	1000
XC-					1.082	0.814	0.879	1
XL-	76	105	122	29				
R-	80	122	224	424	332	131	56	29



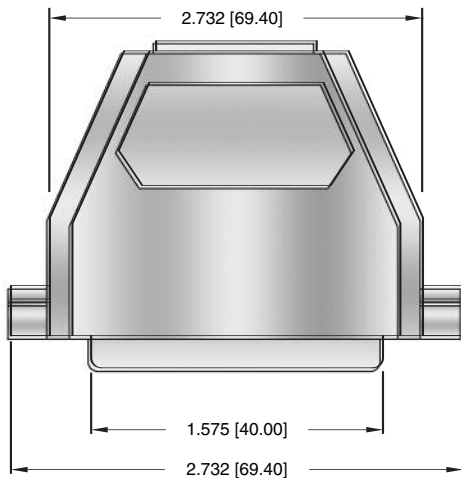
DE09-HD-PN-(SS or TS)



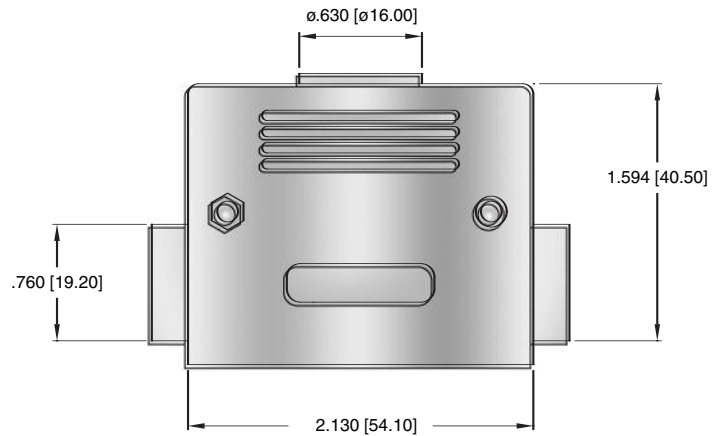
DA15-HD-PN-(SS or TS)



DB25-HD-PN-(SS or TS)



DC37-HD-PN-(SS or TS)

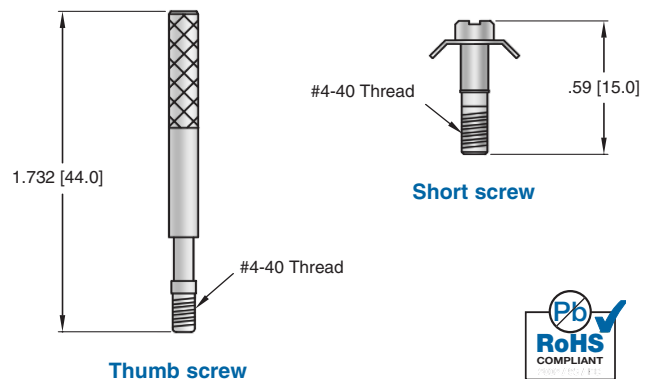


DD50-HD-PN-(SS or TS)

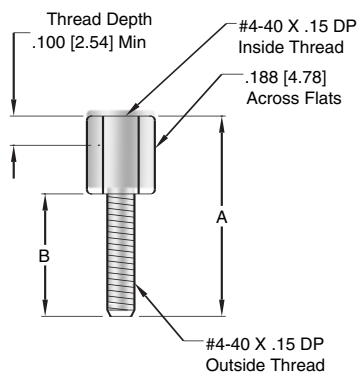
ORDERING INFORMATION

choose one from each category as shown in sample below

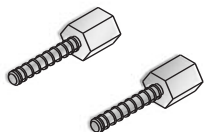
Hood Size	Hood Color	Hardware
DE09-HD	PY	TS
DE09-HD - 9P Hood	PY - Gray Plastic	SS - Short Screw
DA15-HD - 15P Hood	PB - Black Plastic	TS - Thumb Screw
DB25-HD - 25P Hood	PN - Bright Chrome Plated Plastic	
DC37-HD - 37P Hood		
DD50-HD - 50P Hood	AL - Aluminum Cast	



Jackscrews

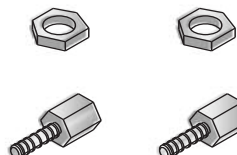


JACKSCREW DIMENSIONS		
PART NUMBER	A	B
JS-01	.416 [10.60]	.226 [5.70]
JS-02	.467 [11.86]	.270 [6.86]
JS-03	.500 [12.70]	.313 [7.95]
JS-04	.465 [11.81]	.226 [5.70]



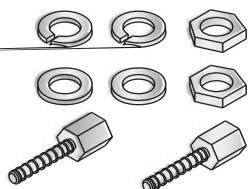
HDW-031

Set includes 2 #4-40 female jackscrews



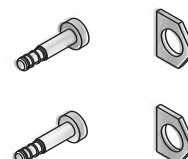
HDW-024

Set includes 2 #4-40 female jackscrews and 2 hex nuts



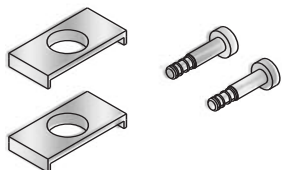
HDW-023

Set includes 2 #4-40 female jackscrews 2 flat washers, 2 split washers and 2 hex nuts



HDW-028

Screw retainer clip set includes 2 screw retainer clips and 2 retainer screws



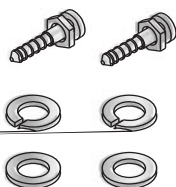
HDW-029

Screw lock kit includes 2 screw locks and 2 retainer screws



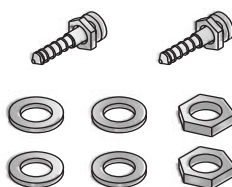
HDW-044

Sliding lock posts
Set of 2



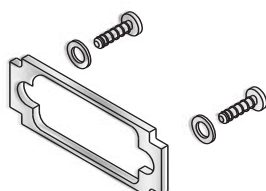
HDW-043A

Slide lock post set includes 2 posts, washers and lock-washers



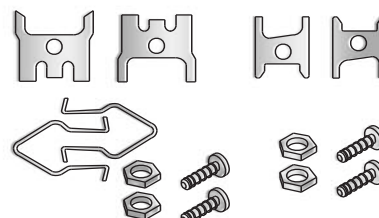
HDW-045

Slide lock post kit includes 2 posts, washers and hex nuts



HDW-043-XX

Slide lock assembly kit includes slide lock, screws and washers, Specify 9, 15, 25 or 37 position



HDW-041

Spring latch set includes 1 pair of spring latches, with holding hardware and 1 pair of notch clips, with holding hardware

INTRODUCTION:

Adam Tech Solder Cup High Density D-Sub connectors are a popular interface for many I/O applications. Offered in 15, 26, 44, 62 and 78 positions, they are a good choice for a low cost industry standard high density connection. Adam Tech connectors are manufactured with precision stamped contacts offering a choice of contact plating and a wide selection of mating and mounting options.

FEATURES:

- High Density pin count in standard size shell
- Industry standard compatibility
- Durable metal shell design
- Precision formed contacts
- Mating and mounting options

MATING CONNECTORS:

Adam Tech high density D-Subminiatures and all industry standard high density D-Subminiature connectors.

SPECIFICATIONS:

Material:

- Insulator: PBT, 30% glass reinforced, rated UL94V-0
- Insulator Colors: Black (White optional)
- Contacts: Phosphor Bronze
- Shell: Steel, Tin or Zinc plated
- Hardware: Brass, Nickel plated

Contact Plating:

Gold Flash (15 and 30 μ m Optional) over Nickel underplate overall.

Electrical:

- Operating voltage: 250V AC / DC max.
- Current rating: 5 Amps max.
- Contact resistance: 20 m Ω max. initial
- Insulation resistance: 5000 M Ω min.
- Dielectric withstanding voltage: 1000V AC for 1 minute

Mechanical:

- Insertion force: 0.75 lbs max
- Extraction force: 0.44 lbs min

Temperature Rating:

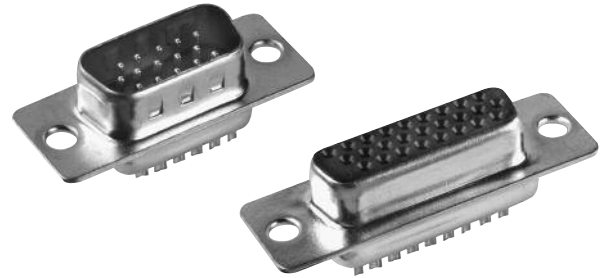
Operating temperature: -65°C to +125°C

PACKAGING:

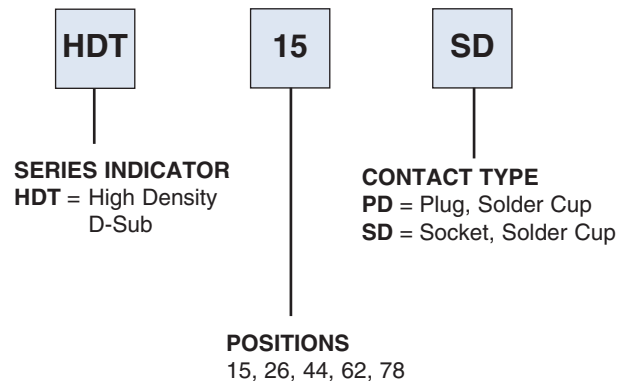
Anti-ESD plastic trays

APPROVALS AND CERTIFICATIONS:

- UL Recognized File No. E224053
- CSA Certified File No. LR1578596



ORDERING INFORMATION

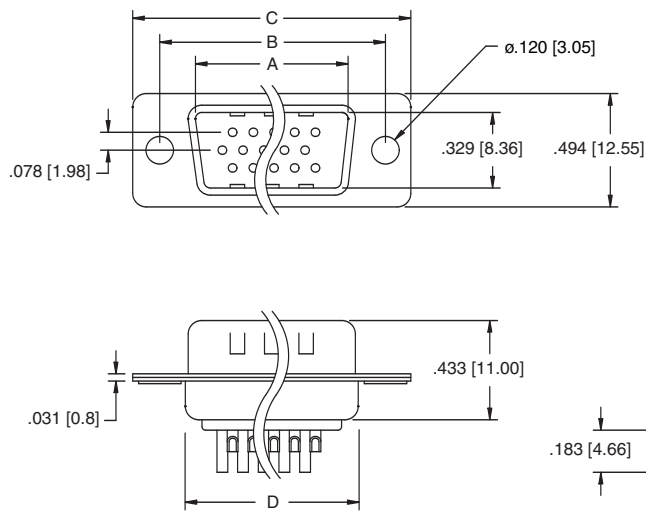


OPTIONS:

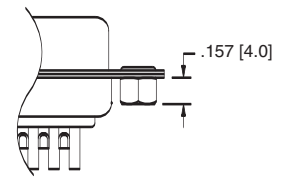
Add designator(s) to end of part number

- 15** = 15 μ m gold plating in contact area
- 30** = 30 μ m gold plating in contact area
- WT** = White color insulator
- SL** = Bottom side Riveted #4-40 Clinch Nuts
- JS** = Top side riveted #4-40 Jack Screws
- EMI** = Ferrite filtered version for EMI / RFI suppression (Page 101)

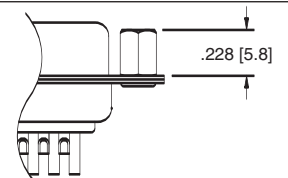
PLUG



MOUNTING OPTIONS

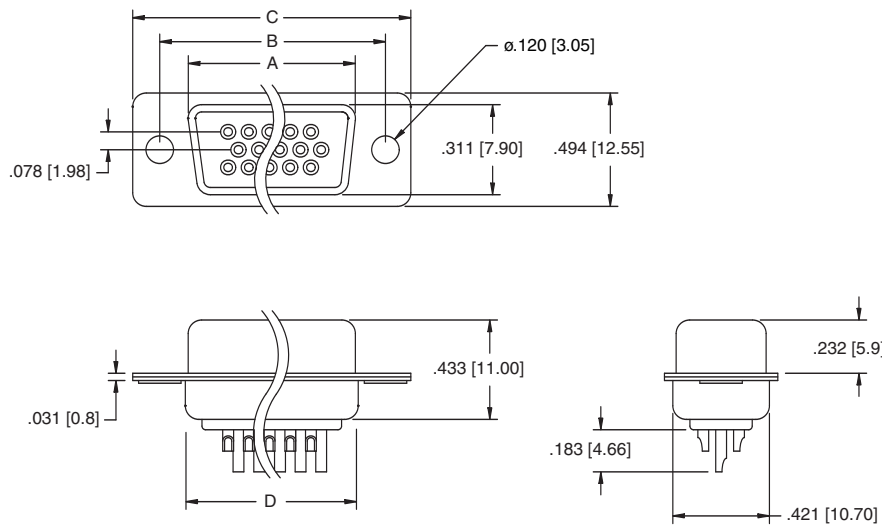


SL Option
Bottom side riveted #4-40
Clinch Nuts



JS Option
Top side riveted #4-40
Jack Screws

SOCKET



Unit: Inch [mm]

Positions	PLUG	SOCKET	DIMENSIONS		
	A	A	B	C	D
15	.666 [16.92]	.643 [16.33]	.984 [24.99]	1.213 [30.81]	.759 [19.28]
26	.994 [25.25]	.971 [24.66]	1.312 [33.32]	1.541 [39.14]	1.083 [27.51]
44	1.534 [38.96]	1.511 [38.38]	1.852 [47.04]	2.088 [53.04]	1.626 [41.30]
62	2.182 [55.43]	2.159 [54.84]	2.500 [63.50]	2.729 [69.32]	2.271 [57.70]
78	2.079 [52.81]	2.064 [52.43]	2.406 [61.11]	2.635 [66.93]	2.099 [55.32]

INTRODUCTION:

Adam Tech Straight PCB tail High Density D-Sub connectors are a popular interface for many I/O applications. Offered in 15, 26, 44, 62 and 78 positions they are a good choice for a low cost industry standard high density connection. Adam Tech connectors are manufactured with precision stamped contacts offering a choice of contact plating and a wide selection of mating and mounting options.

FEATURES:

- High Density pin count in standard size shell
- Industry standard compatibility
- Durable metal shell design
- Precision formed contacts
- Variety of Mating and mounting options

MATING CONNECTORS:

Adam Tech high density D-Subminiatures and all industry standard high density D-Subminiature connectors.

SPECIFICATIONS:

Material:

Standard insulator: PBT, 30% glass reinforced, rated UL94V-0
Optional Hi-Temp insulator: Nylon 6T rated UL94V-0
Insulator Colors: Black (White optional)
Contacts: Phosphor Bronze
Shell: Steel, Tin or Zinc plated
Hardware: Brass, Nickel plated

Contact Plating:

Gold Flash (15 and 30 μ m Optional) over Nickel underplate overall.

Electrical:

Operating voltage: 250V AC / DC max.
Current rating: 5 Amps max.
Contact resistance: 20 m Ω max. initial
Insulation resistance: 5000 M Ω min.
Dielectric withstanding voltage: 1000V AC for 1 minute

Mechanical:

Insertion force: 0.75 lbs max
Extraction force: 0.44 lbs min

Temperature Rating:

Operating temperature: -65°C to +125°C
Soldering process temperature:
Standard insulator: 235°C
Hi-Temp insulator: 260°C

PACKAGING:

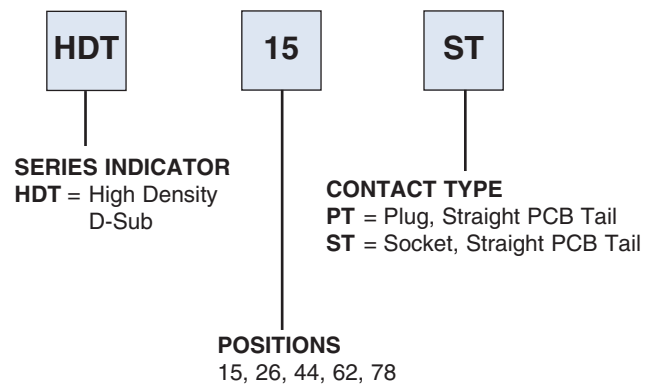
Anti-ESD plastic trays

APPROVALS AND CERTIFICATIONS:

UL Recognized File No. E224053
CSA Certified File No. LR1578596



ORDERING INFORMATION



OPTIONS:

Add designator(s) to end of part number

WT = White color insulator

HT = Hi-Temp insulator for Hi-Temp soldering processes up to 260°C

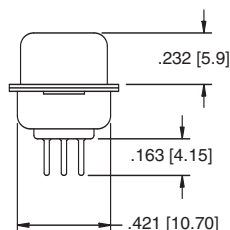
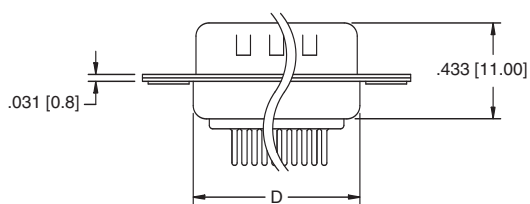
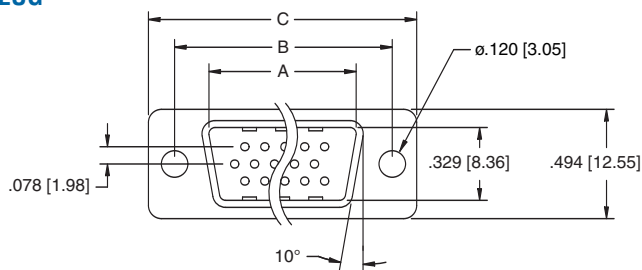
SL = Riveted #4-40 Clinch Nuts

JS = Riveted #4-40 Jackscrews

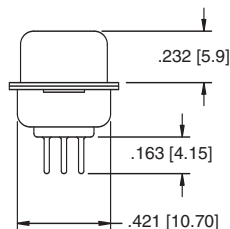
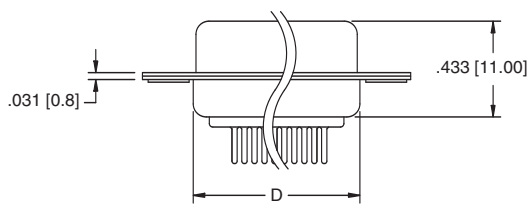
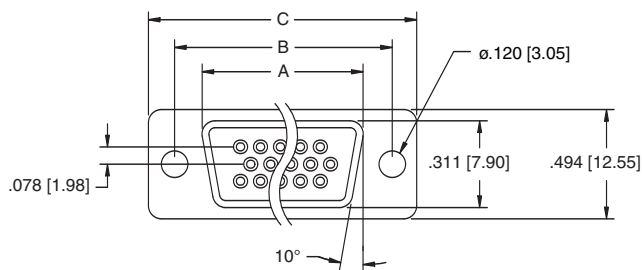
BL = Riveted #4-40 Internal Threaded Standoffs with Boardlocks

EMI = Ferrite filtered version for EMI / RFI suppression (Page 101)

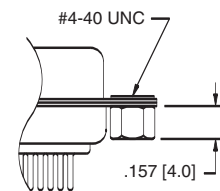
PLUG



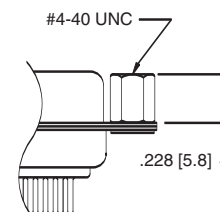
SOCKET



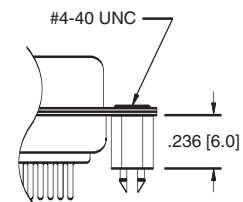
MOUNTING OPTIONS



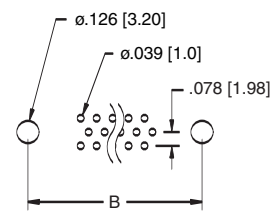
SL Option
Bottom side riveted #4-40 Clinch Nuts



JS Option
Top side riveted #4-40 Jack Screws



BL Option
Bottom side riveted #4-40 Clinch Nuts with PCB Boardlocks



Recommended PCB Layout

Unit: Inch [mm]

Positions	PLUG	SOCKET	DIMENSIONS		
	A	A	B	C	D
15	.666 [16.92]	.643 [16.33]	.984 [24.99]	1.213 [30.81]	.759 [19.28]
26	.994 [25.25]	.971 [24.66]	1.312 [33.32]	1.541 [39.14]	1.083 [27.51]
44	1.534 [38.96]	1.511 [38.38]	1.852 [47.04]	2.088 [53.04]	1.626 [41.30]
62	2.182 [55.43]	2.159 [54.84]	2.500 [63.50]	2.729 [69.32]	2.271 [57.70]
78	2.079 [52.81]	2.064 [52.43]	2.406 [61.11]	2.635 [66.93]	2.099 [55.32]

INTRODUCTION:

Adam Tech Right Angle PCB High Density D-Sub connectors are a popular interface for many I/O applications. Offered in 15, 26, 44, 62 and 78 positions they are a good choice for a low cost industry standard high density connection. Adam Tech connectors are manufactured with precision stamped contacts offering a choice of contact plating and a wide selection of mating and mounting options.

FEATURES:

- High Density in standard size shell
- Industry standard compatibility
- Durable metal shell design
- Precision formed contacts
- Variety of Mating and mounting options

MATING CONNECTORS:

Adam Tech high density D-Subminiatures and all industry standard high density D-Subminiature connectors.

SPECIFICATIONS:

Material:

Standard insulator: PBT, 30% glass reinforced, rated UL94V-0
Optional Hi-Temp insulator: Nylon 6T rated UL94V-0
Insulator Colors: HDL Series: Black
HDVG Series: Blue

Contacts: Phosphor Bronze
Shell: Steel, Tin or Zinc plated
Hardware: Brass, Nickel plated

Contact Plating:

Gold Flash (15 and 30 μ m Optional) over Nickel underplate overall.

Electrical:

Operating voltage: 250V AC / DC max.
Current rating: 5 Amps max.
Contact resistance: 20 m Ω max initial
Insulation resistance: 5000 M Ω min.
Dielectric withstanding voltage: 1000V AC for 1 minute

Mechanical:

Insertion force: 0.75 lbs max
Extraction force: 0.44 lbs min

Temperature Rating:

Operating temperature: -65°C to +125°C
Soldering process temperature:
Standard insulator: 235°C
Hi-Temp insulator: 260°C

PACKAGING:

Anti-ESD plastic trays

APPROVALS AND CERTIFICATIONS:

UL Recognized File No. E224053
CSA Certified File No. LR1578596



ORDERING INFORMATION



SERIES INDICATOR

HDL = High Density D-Sub
HDVG = High Density VESA connector with recessed #9 pin and blue insulator

POSITIONS
15, 26, 44, 62, 78

MOUNT OPTIONS

A = #4-40 Jackscrews and forked boardlocks
B = #4-40 Flush threaded inserts and forked boardlocks
C = #4-40 Flush threaded inserts with removable jackscrews and forked boardlocks
D = Topside ground straps with screw holes

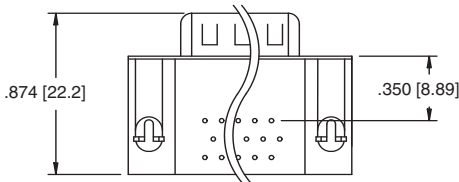
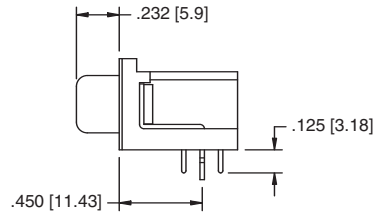
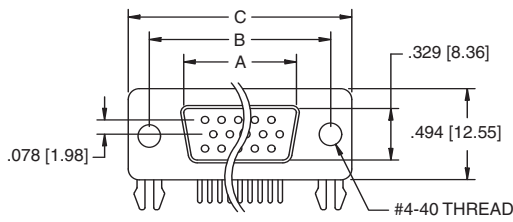
CONTACT TYPE

PL = Plug, Right Angle Mount
SL = Socket, Right Angle Mount

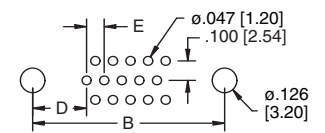
OPTIONS:

Add designator(s) to end of part number
15 = 15 μ m gold plating in contact area
30 = 30 μ m gold plating in contact area
EMI = Ferrite filtered version for EMI / RFI suppression (Page 101)
F = Retention 4 prong boardlocks
HT = Hi-Temp insulator for Hi-Temp soldering processes up to 260°C
R = Round Riveted Jackscrews

PLUG

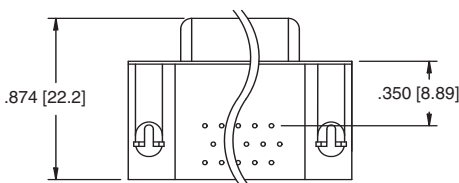
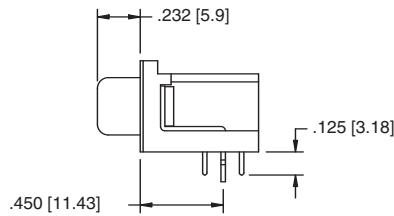
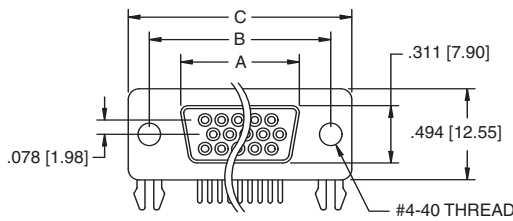


HDL15-PL-B

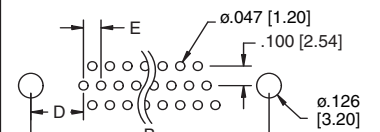


15 Position PCB Layout

SOCKET

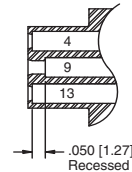


HDL15-SL-B



26, 44, 62 Position PCB Layout

Hi Density Video Graphics Connector



HDVHG-15-SL-B

Unit: Inch [mm]

Positions	PLUG	SOCKET	DIMENSIONS			
	A	A	B	C	D	E
15	.666 [16.92]	.643 [16.33]	.984 [24.99]	1.213 [30.81]	.277 [7.04]	.090 [2.29]
26	.994 [25.25]	.971 [24.66]	1.312 [33.32]	1.541 [39.14]	.277 [7.04]	.090 [2.29]
44	1.534 [38.96]	1.511 [38.38]	1.852 [47.04]	2.088 [53.04]	.277 [7.04]	.090 [2.29]
62	2.182 [55.43]	2.159 [54.84]	2.500 [63.50]	2.729 [69.32]	.276 [7.00]	.095 [2.41]
78	2.079 [52.81]	2.064 [52.43]	2.406 [61.11]	2.635 [66.93]	.300 [7.63]	.095 [2.41]

INTRODUCTION:

Adam Tech Crimp and Poke High Density D-Sub connectors are a popular interface for many I/O applications. Offered in 15, 26, 44, 62 and 78 positions they are a low cost alternative to soldering a high density connector to cable. Contacts are crimped onto discrete wires and pushed into the connector body. The connector is comprised of a metal shell and plastic insulator and is available with a variety of mating options. The contacts are precision stamped and are available in a variety of platings.

FEATURES:

- High Density in standard size shell
- Low cost no solder alternative
- Industry standard compatibility
- Durable metal shell design
- Precision formed contacts
- Variety of Mating and mounting options

MATING CONNECTORS:

Adam Tech high density D-Subminiatures and all industry standard high density D-Subminiature connectors.

SPECIFICATIONS:

Material:

- Insulator: PBT, 30% glass reinforced, rated UL94V-0
- Insulator Colors: Black (White optional)
- Contacts: Phosphor Bronze
- Shell: Steel, Tin or Zinc plated
- Hardware: Brass, Nickel plated

Contact Plating:

Gold Flash (15 and 30 µin Optional) over Nickel underplate overall.

Electrical:

- Operating voltage: 250V AC / DC max.
- Current rating: 5 Amps max.
- Contact resistance: 20 mΩ max. initial
- Insulation resistance: 5000 MΩ min.
- Dielectric withstanding voltage: 1000V AC for 1 minute

Mechanical:

- Insertion force: 0.75 lbs max
- Extraction force: 0.44 lbs min
- Recommended wire size: 22 to 28 Awg

Temperature Rating:

Operating temperature: -65°C to +125°C

PACKAGING:

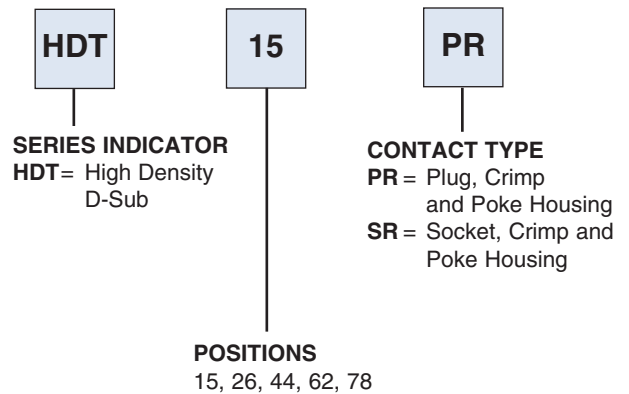
Anti-ESD plastic trays

APPROVALS AND CERTIFICATIONS:

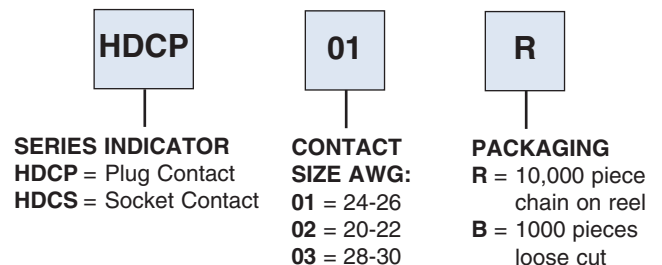
- UL Recognized File No. E224053
- CSA Certified File No. LR1578596



ORDERING INFORMATION HOUSING



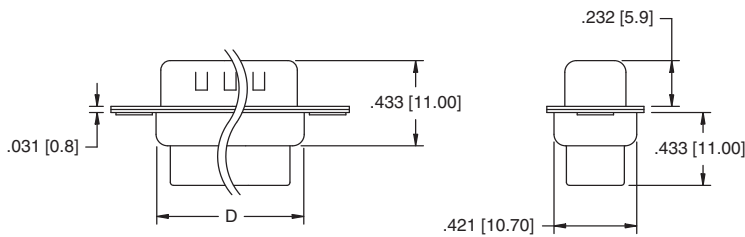
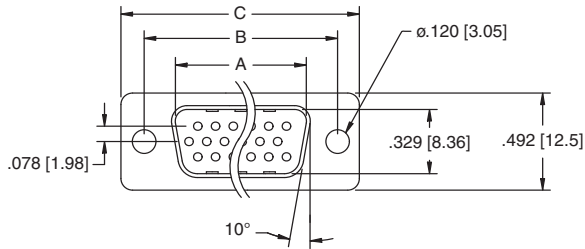
CRIMP CONTACT



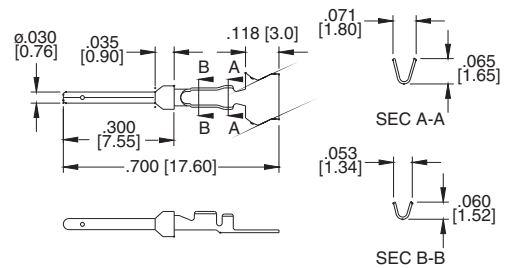
OPTIONS:

- Add designator(s) to end of part number
- 15 = 15 µin gold plating in contact area
- 30 = 30 µin gold plating in contact area
- WT = White color insulator.
- SL = Riveted #4-40 Clinch Nuts
- JS = Riveted #4-40 Jackscrews

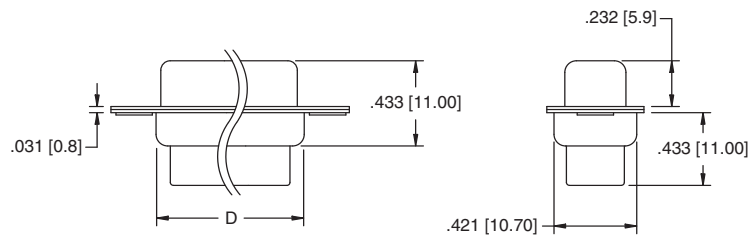
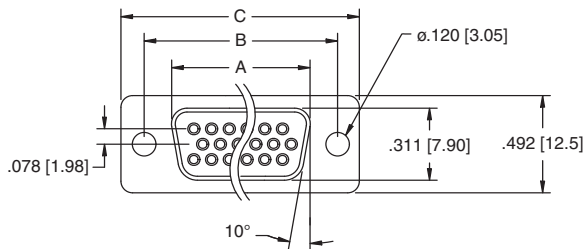
PLUG



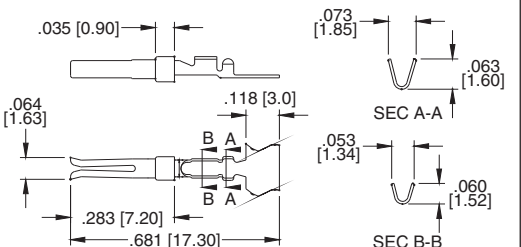
Plug Contact



SOCKET



Socket Contact



Unit: Inch [mm]

Positions	PLUG	SOCKET	DIMENSIONS		
	A	A	B	C	D
15	.666 [16.92]	.643 [16.33]	.984 [24.99]	1.213 [30.81]	.759 [19.28]
26	.994 [25.25]	.971 [24.66]	1.312 [33.32]	1.541 [39.14]	1.083 [27.51]
44	1.534 [38.96]	1.511 [38.38]	1.852 [47.04]	2.088 [53.04]	1.626 [41.30]
62	2.182 [55.43]	2.159 [54.84]	2.500 [63.50]	2.729 [69.32]	2.271 [57.70]
78	2.079 [52.81]	2.064 [52.43]	2.406 [61.11]	2.635 [66.93]	2.099 [55.32]