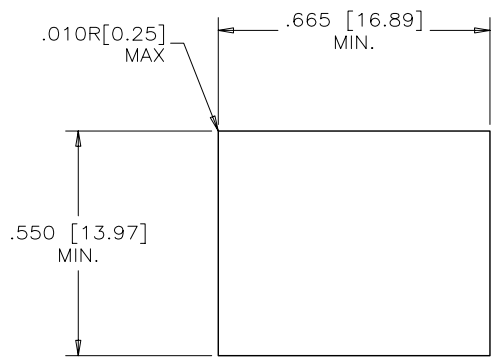
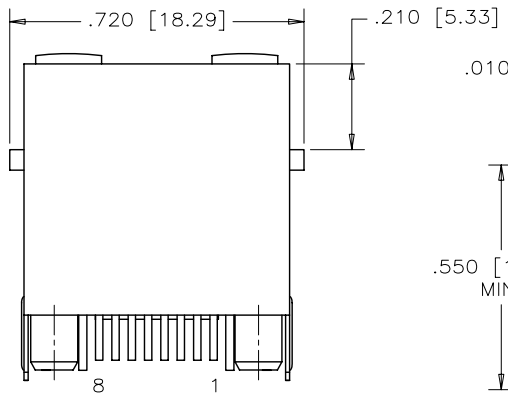


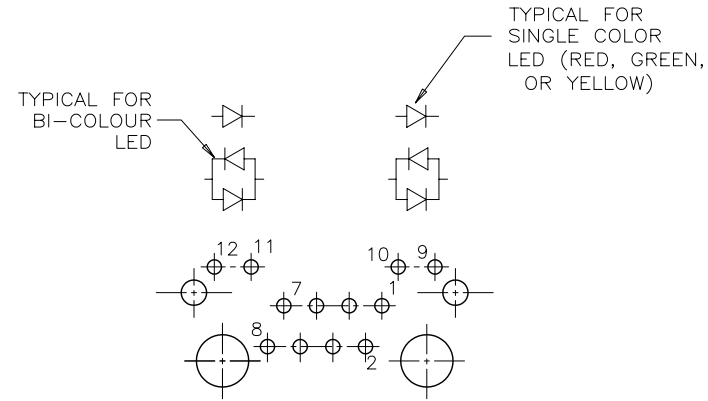
| REVISIONS |      |              |                  |
|-----------|------|--------------|------------------|
| SYM       | ZONE | ECN, ERN NO. | DATE APPRD.      |
| E         |      | REVISED      | 01/12/05 D.M.    |
| F         |      | REVISED      | 05/06/28 L.CHAN  |
| G         |      | REVISED      | OCT 24,08 L.CHAN |



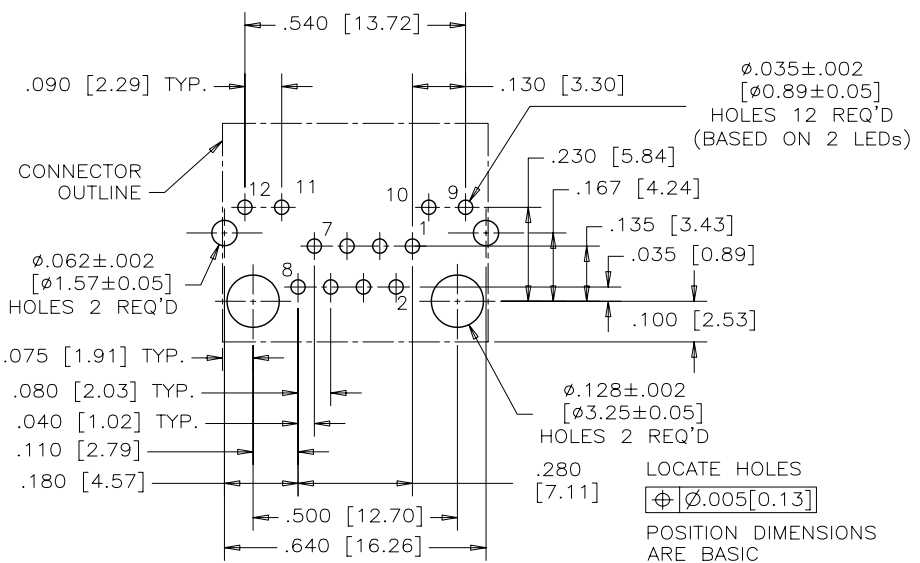
**BI-COLOUR LED DETAIL**  
 (RED/YELLOW AND GREEN/ORANGE LED'S ARE ALSO AVAILABLE)



**RECOMMENDED PANEL CUTOUT**



**LED SCHEMATIC**



**RECOMMENDED P.C.B. LAYOUT**  
 (COMPONENT SIDE OF BOARD)

**MATERIALS:**

- PLASTIC HOUSING: THERMOPLASTIC POLYESTER  
 FLAMMABILITY RATING UL94V-0
- CONTACTS: PHOSPHOR BRONZE  
 PLATING: 30 MICRO" [0.76 MICRONS] GOLD OVER  
 50 MICRO" [1.27 MICRONS] NICKEL.
- SHIELD: COPPER ALLOY.  
 PLATING: NICKEL WITH  
 PURE-TIN DIPPED PCB TAIL.

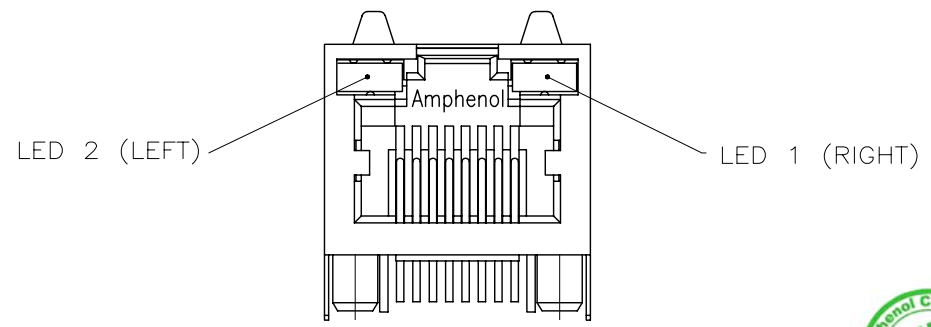
**PART NUMBER: RJHS-338X**

REFER TO LED OPTIONS DRAWING FOR ORDERING CODES

|                               |                    |   |                                    |
|-------------------------------|--------------------|---|------------------------------------|
| DRAWN A.KARIR                 | DATE 99/11/05      | <b>Amphenol Canada Corp.</b>  |                                    |
| DESIGNED                      |                    |   |                                    |
| CHECKED R.PIKE                | 99/11/08           | TITLE   |                                    |
| I. E. APPRD.                  |                    | SINGLE-PORT HIGH SPEED MODULAR JACK,<br>8 POSITIONS, 8 CONTACTS, WITH LED'S AND<br>SHIELD |                                    |
| Q. A. APPRD.                  |                    | DWG   | DRAWING NO.                        |
| DWG. APPRD.                   |                    | P-RJHS-338X   |                                    |
| ENG. REL. NO. EAR 12778       |                    | REF.  | REV. G                             |
| DIMENSIONS ARE IN INCHES [mm] | CODE ID. NO. 03554 | SCALE   | WT. ----- SURF. ----- SHEET 1 OF 1 |

THIS DOCUMENT CONTAINS PROPRIETARY INFORMATION AND SUCH INFORMATION MAY NOT BE DISCLOSED TO OTHERS FOR ANY PURPOSE OR USED FOR MANUFACTURING PURPOSES WITHOUT WRITTEN PERMISSION FROM AMPHENOL CANADA CORP.

| REVISIONS |      |              |          |        |
|-----------|------|--------------|----------|--------|
| SYM       | ZONE | ECN, ERN NO. | DATE     | APPRD. |
| A         |      | PROPOSAL     | SEP21/04 |        |



TYPICAL FOR SINGLE & MULTI-PORT



LED SPECIFICATIONS:  
 FORWARD VOLTAGE: 2.1 VOLTS TYP.  
 REVERSE VOLTAGE: 5.0 VOLTS MIN.  
 LUMINOUS INTENSITY: 0.5 mCd MIN.  
 (AT If=2mA)  
 STORAGE TEMPERATURE: -20° TO 85° C  
 LEAD SOLDERING TEMPERATURE: 260° C  
 (5 SEC, 1/16" FROM CASE)  
 PLATING ON TAILS: TIN OR TIN/COPPER  
 ALLOY OVER SILVER

EXAMPLE:

PART NUMBER RJHSE-538X

LED COLOR CODE

| CODE | LED 2 (LEFT) | LED 1 (RIGHT) | CODE | LED 2 (LEFT) | LED 1 (RIGHT) | CODE | LED 2 (LEFT)       | LED 1 (RIGHT) |
|------|--------------|---------------|------|--------------|---------------|------|--------------------|---------------|
| 0    | BLOCKED      | BLOCKED       | 9    | GREEN        | BLOCKED       | J    | BiC RD/GR          | YELLOW        |
| 1    | YELLOW       | GREEN         | A    | BiC GR/YE    | BiC GR/YE     | K    | YELLOW             | BiC GR/OR     |
| 2    | BLOCKED      | GREEN         | B    | BiC RD/GR    | BiC RD/GR     | L    | BiC GR/YE          | RED           |
| 3    | YELLOW       | BLOCKED       | C    | BiC RD/GR    | BiC GR/YE     | M    | RED                | YELLOW        |
| 4    | GREEN        | YELLOW        | D    | GREEN        | BiC GR/YE     | P    | GREEN              | BiC RD/GR     |
| 5    | GREEN        | GREEN         | E    | YELLOW       | BiC GR/YE     | R    | BiC GR/OR          | GREEN         |
| 6    | YELLOW       | YELLOW        | F    | BiC GR/YE    | YELLOW        | T    | RED                | RED           |
| 7    | RED          | GREEN         | G    | BiC GR/OR    | BiC GR/OR     | V    | BiC RD/GR          | GREEN         |
| 8    | GREEN        | RED           | H    | BiC GR/YE    | GREEN         | W    | ADDITIONAL OPTIONS |               |

PRIMARY COLOR FOR BI-COLOR LEDS IN STANDARD ANODE/CATHODE CONFIGURATION IS:  
 RED-GREEN= RED  
 RED-YELLOW= RED  
 GREEN-YELLOW= GREEN  
 GREEN-ORANGE= GREEN

EXAMPLE OF ADDITIONAL LED OPTIONS:

PART NUMBER RJHSE-538W-01Y

ADDITIONAL LED COLOR CODE

↑ DENOTES ADDITIONAL LED OPTIONS TO BE USED

| CODE | LED 2 (LEFT) | LED 1 (RIGHT) | CODE | LED 2 (LEFT) | LED 1 (RIGHT) | CODE | LED 2 (LEFT) | LED 1 (RIGHT) |
|------|--------------|---------------|------|--------------|---------------|------|--------------|---------------|
| 0    | DO NOT USE   |               | 5    | BLOCKED      | YELLOW        | A    | LOWC YE      | LOWC YE       |
| 1    | RED          | BLOCKED       | 6    | RED          | BiC RD/GR     | B    | LOWC YE      | LOWC GR       |
| 2    | BiC GR/OR    | YELLOW        | 7    | BLOCKED      | BiC RD/GR     | C    | LOWC GR      | LOWC YE       |
| 3    | YELLOW       | RED           | 8    | BiC RD/GR    | BLOCKED       | D    | LOWC GR      | LOWC GR       |
| 4    | BLOCKED      | RED           | 9    | BiC GR/YE    | BLOCKED       | M    | LOWC RD      | LOWC YE       |

LEGEND

BiC=BI-COLOR LED  
 LOWC=LOW CURRENT LED  
 YE=YELLOW  
 GR=GREEN  
 RD=RED  
 OR=ORANGE

NOTE:

THE TWO DIGITS PRECEDING THE ADDITIONAL LED CODE MUST BE USED IN THE PART NUMBER, WHEN ORDERING ANY OF THE ADDITIONAL LED OPTIONS.

THIS DOCUMENT CONTAINS PROPRIETARY INFORMATION AND SUCH INFORMATION MAY NOT BE DISCLOSED TO OTHERS FOR ANY PURPOSE OR USED FOR MANUFACTURING PURPOSES WITHOUT WRITTEN PERMISSION FROM AMPHENOL CANADA CORP.

|                               |                    |  |                                    |
|-------------------------------|--------------------|--|------------------------------------|
| DRAWN K. LAMBIE               | DATE SEP21/04      | Amphenol Canada Corp.  |                                    |
| DESIGNED                      |                    |  |                                    |
| CHECKED                       |                    | TITLE<br>LED OPTIONS FOR RJHSE, SINGLE OR MULTI-PORT CONNECTORS<br>-RoHS COMPLIANT |                                    |
| I. E. APPRD.                  |                    |  |                                    |
| Q. A. APPRD.                  |                    | DWG DRAWING NO.<br>P-RJHSE-LEDS  |                                    |
| DWG. APPRD.                   |                    |  |                                    |
| ENG. REL. NO.                 |                    | REF. EAR 12481   | REV. A                             |
| DIMENSIONS ARE IN INCHES [mm] | CODE ID. NO. 03554 | SCALE  | WT. ----- SURF. ----- SHEET 1 OF 1 |