

TECHNICAL DATA

'' D '' SUBMINIATURE CONNECTORS

SHELL : Steel .
 Finish : Tinned

BODY : Glass filled thermoplastic .
 Flame retardant to UL 94 V-0 .
 Colour : black .

CONTACTS : Material for sockets : bronze
 Material for pins brass
 Finish of contact mating area :
 0,8µm Gold over Nickel

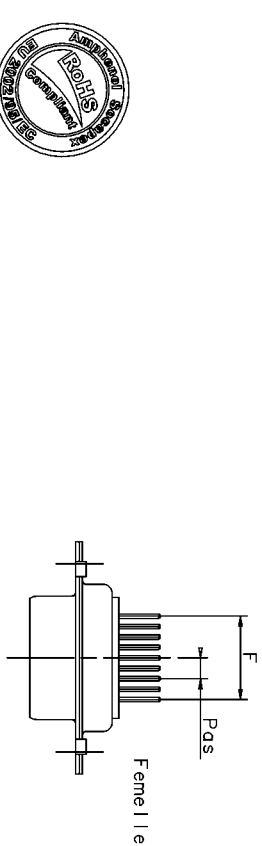
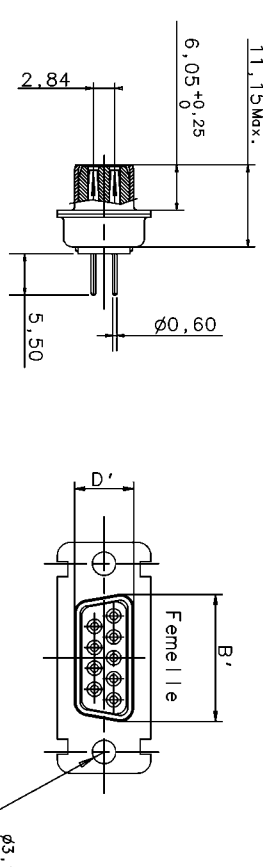
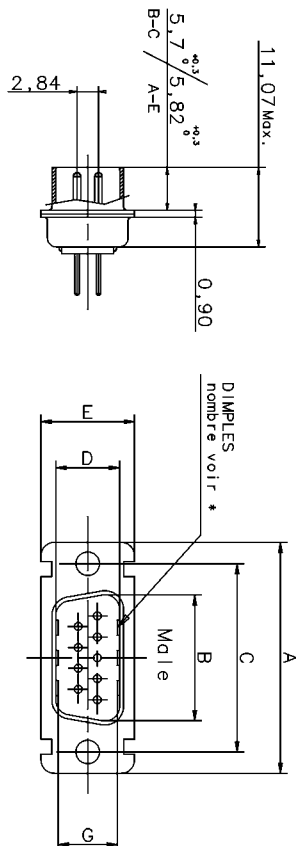
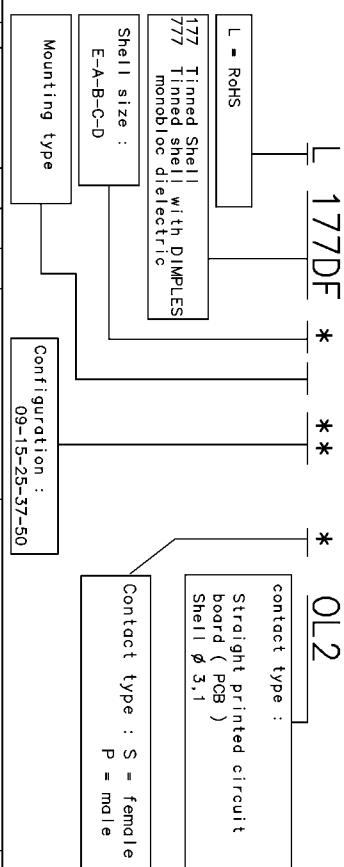
ELECTRICAL Voltage rating 300 V Rms to 50Hz .
 Nominal current 7,5 A (size20)
 Voltage proof >1000 V Rms to 50 Hz
 Contact resistance <5m Ohms .
 Insulator resistance >5000 M Ohms .

CLIMATIC Temperature range -55°C - 125°C
 Damp heart 56 days (40°C - 95 % RH)

MECHANICAL Insertion force per contact 1,2N < F < 2,5 N
 Extraction force per contact 0,4 N mini
 Mating and unmating force size

A 30N maxi 3,5N mini
 B 83N maxi 4,5N mini
 C 123N maxi 8,0N mini
 D 166N maxi 11,5N mini
 E 30N maxi 3,5N mini

MARKING Amphenol -(serial number)
 Commercial reference
 Manufacturing date



taille	A	B'	B	C	D'	D	E	F ±0,05	Pas	G	*
E	30,43	16,49	16,94	24,82	8,92	8,23	12,92	10,98	2,74	7,62	2x3
A	38,76	24,54	25,12	33,26	8,92	8,23	12,92	19,20	2,74	7,62	2x5
B	52,45	38,25	38,84	46,91	8,92	8,23	12,92	33,12	2,76	7,62	2x8
C	68,70	54,97	55,56	63,62	8,92	8,23	12,92	49,68	2,76	7,62	2x12
D	86,35	72,56	73,15	81,21	8,92	8,23	14,99	66,24	2,76	10,5	2x12

DATE DU TIRAGE

N ETUDE

N OUTIL

N CLIENT

N SERIE: 0177F

DESIGNATION: L*77DF** *OL2

Amphenol Socapex
 Usine de Dole

PLAN NOTICE

ECHELLE: 1:5

POSS. IER: NOTICE-17F

COMMANDE ET UTILISATION INTERDITES SAUF AUTORISATION