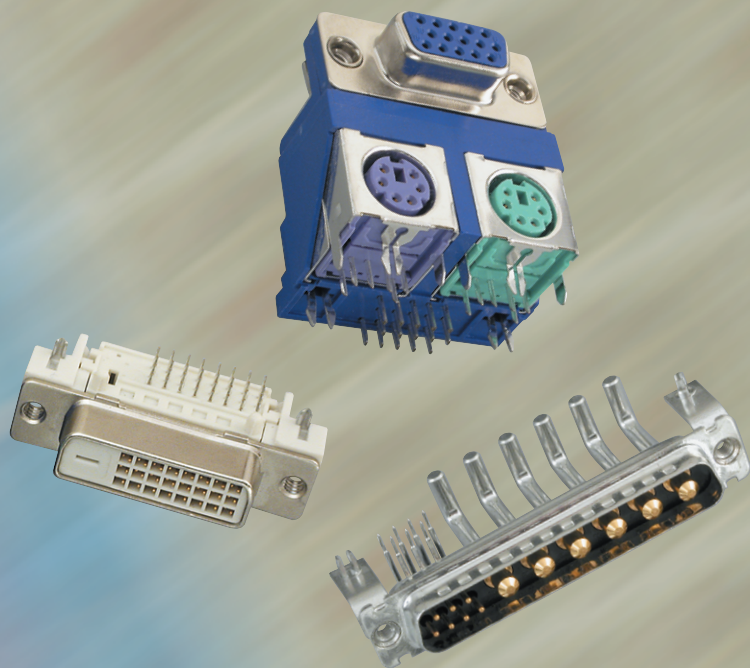


D-SUBMINIATURE CONNECTORS



Amphenol®

ACCESSORIES

STANDARD DENSITY

SURFACE MOUNT RECEPTACLES

HIGH DENSITY

GENERAL DESCRIPTION:

Amphenol's line of D-Subminiature rack and panel connectors is part of an industry standard for applications requiring reliable, rugged, connectors. These connectors are designed to accommodate rack and panel, cable to panel and cable to cable applications. D-Subminiature connectors are pin and socket devices that employ contacts encased in a molded dielectric insert surrounded by a "D" shaped shell for polarization.

MARKETS:

Amphenol D-Subminiature connectors can be used in commercial, industrial or military markets. We offer a broad selection of dielectric materials and contact styles and configurations to meet all of your design requirements.

APPLICATIONS INCLUDE:

- Business equipment
- Electronic office systems
- Data communications
- Medical equipment
- Mobile communications
- Consumer electronics

AMPHENOL D-SUB FEATURES:

- Industry standard interfacing RS232 and RS449 mating configurations per EIA standards.
- UL Component Recognition File number E64911 (617, 841, 17, 17D, 17HD, ED, 17RR, 17SD, 117DF, 17BH, 17TW)
- Variations available:
 - Solder cup
 - Straight pc mount solder
 - Right angle pc mount solder
 - Solderless wire wrap
 - Crimp
 - High Density Right Angle
 - High Density Straight
 - Stacked Right Angle PC mount
 - Surface mount
- Five shell sizes offer widest choice of contact positions: 9, 15, 25, 37 and 50 in standard density and 15, 26, 44, 62 and 78 positions in high-density.
- Inserts are flame-retardant thermoplastic.
- Accessories for all applications are available including strain reliefs, cable clamps, shielded backshells, mating hardware and connector to pc board mounting hardware.
- Automatic and manual tooling is available for both crimp and IDC versions.
- Contact Amphenol for lease information.

High Density

SPECIFICATIONS:

MATERIALS AND PLATINGS

Shells	Steel, tin plated, grounding indents on plug.
Contact Material	Copper alloy
Contact Plating	Engagement area: gold (see ordering information).
Termination End	150µ" (3.81µm) tin/lead
Nickel Underplate	50µ" (1.27µm) entire contact

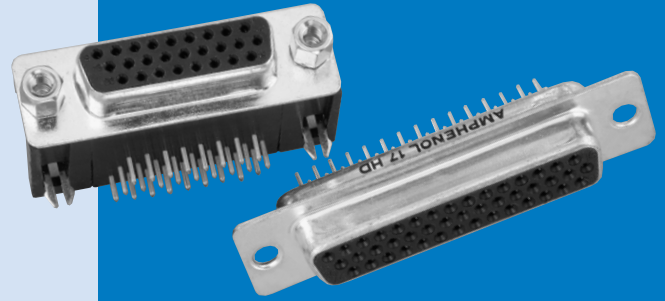
ELECTRICAL DATA

Current Rating	3 Amps maximum per contact
Voltage Rating	125 VAC
Dielectric Withstanding Voltage	1000 VAC (minimum)
Dielectric	Glass filled thermoplastic, black, UL 94 VO
Insulation Resistance	5,000 Megaohms (minimum)
Contact Resistance	15 Milliohms (maximum)

CLIMATIC DATA

Operating Temperature	-67°F (-55°C) to 221°F (105°C)
------------------------------	--------------------------------

17E BH/HD SERIES



Amphenol's High Density D-Subminiature connectors complement Amphenol's extensive D-Subminiature connector line. This line of connectors offers many superior features, high performance level and low installation cost.

The connector configurations are available in 15, 26, 44, 62 and 78 positions.

The product offering includes PCB mount connectors in both straight or right angle termination styles. Straight PCB mount are available in both Fixed Screw Machine and Stamped and Formed contacts, while Right Angle PCB mount are only available with Stamped and Formed contacts.

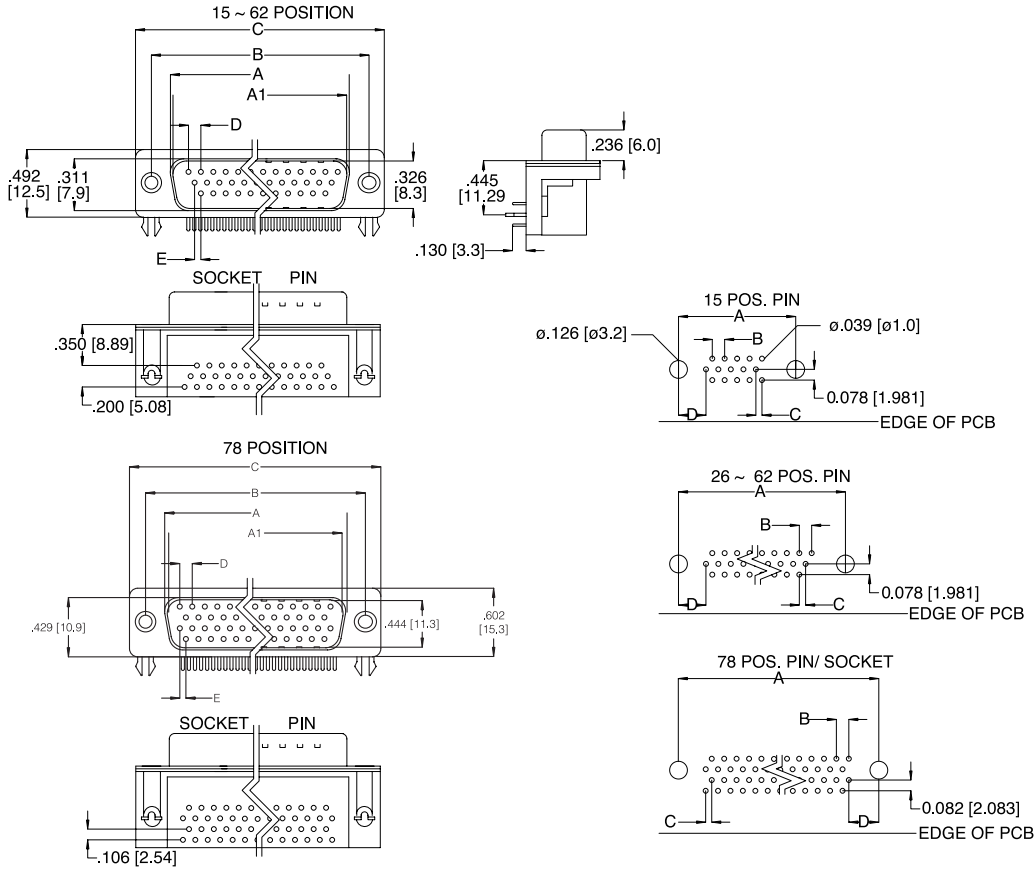
A cable mount version with solder terminations is also available, which can be combined with Amphenol's standard line of shielded or unshielded backshells.

- Industrial
- Telecom
- Any industry standard I / O connections

INCHES (MM)



DIMENSIONS FOR 15 - 62 POSITION (3 ROW)(SHOWN WITH FIXED FEMALE SCREWLOCKS) DIMENSIONS FOR THE 78 POSITION (4 ROW)



CONTACTS	A SOCKET	A1 PIN	B	C	D	E
15	.642 [16.30]	.666 [16.92]	.984 [25.0]	1.213 [30.8]	.090 [2.29]	.045 [1.145]
26	.969 [24.6]	.994 [25.25]	1.311 [33.3]	1.543 [39.2]	.090 [2.29]	.045 [1.145]
44	1.508 [38.3]	1.534 [38.96]	1.854 [47.1]	2.091 [53.1]	.090 [2.29]	.045 [1.145]
62	2.157 [54.8]	2.182 [55.42]	2.50 [63.5]	2.732 [69.4]	.095 [2.41]	.047 [1.205]
78	2.05 [52.20]	2.079 [52.81]	2.40 [61.0]	2.638 [67.0]	.095 [2.41]	.047 [1.205]

CONTACTS	A	B	C	D
15	.984 [25.0]	.090 [2.29]	.045 [1.145]	.277 [7.04]
26	1.311 [33.3]	.090 [2.29]	.045 [1.145]	.271 [6.88]
44	1.854 [47.1]	.090 [2.29]	.045 [1.145]	.271 [6.88]
62	2.50 [63.5]	.095 [2.41]	.047 [1.205]	.275 [7.00]
78	2.402 [61.0]	.095 [2.41]	.047 [1.205]	.300 [7.63]

ORDERING INFORMATION

17EBH Series High Density D-Sub

Front Metal Shell, Right-Angle PC Mount

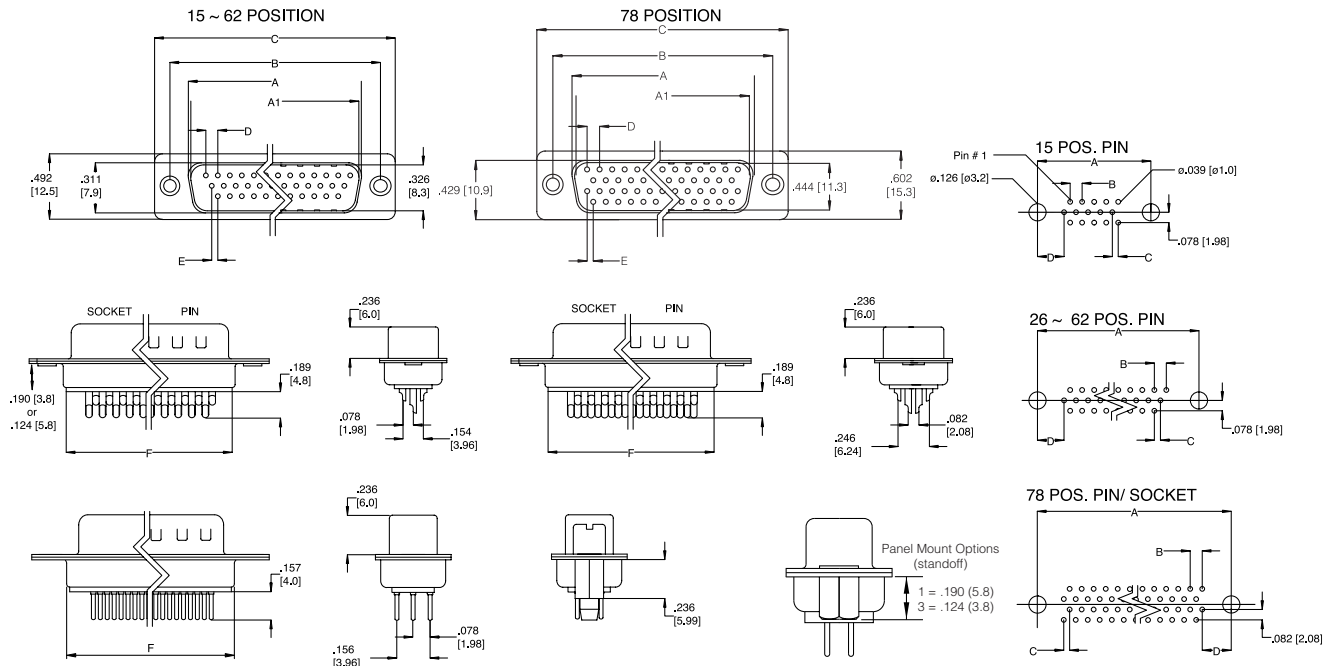
17EBH 0XX X XX X XX

Series
Number Of Positions
15, 26, 44, 62, 78
Type
P Pin (male)
S Socket (female)

PCB Mount Options
00 Clear hole
10 Arrowhead Board
Panel Mounting Options
0 .120 (3.05) Clear Hole
1 #4-40 Threaded Hole
2 #4-40 Fixed Female Screw

Plating Code
AA Gold Flash over Nickel
AM 30µ" (.76µm) Gold over Nickel

DIMENSIONS



CONTACTS	A SOCKET	A1 PIN	B	C	D	E	F
15	.642 [16.30]	.666 [16.92]	.984 [25.0]	1.213 [30.8]	.090 [2.29]	.045 [1.145]	.756 [19.2]
26	.969 [24.6]	.994 [25.25]	1.311 [33.3]	1.543 [39.2]	.090 [2.29]	.045 [1.145]	1.071 [27.2]
44	1.508 [38.3]	1.534 [38.96]	1.854 [47.1]	2.091 [53.1]	.090 [2.29]	.045 [1.145]	1.618 [41.1]
62	2.157 [54.8]	2.182 [55.42]	2.50 [63.5]	2.732 [69.4]	.095 [2.41]	.047 [1.205]	2.256 [57.3]
78	2.05 [52.20]	2.079 [52.81]	2.40 [61.0]	2.638 [67.0]	.095 [2.41]	.047 [1.205]	2.169 [55.1]

CONTACTS	A	B	C	D
15	.984 [25.0]	.090 [2.29]	.045 [1.145]	.277 [7.04]
26	1.311 [33.3]	.090 [2.29]	.045 [1.145]	.277 [7.04]
44	1.854 [47.1]	.090 [2.29]	.045 [1.145]	.277 [7.04]
62	2.50 [63.5]	.095 [2.41]	.047 [0.120]	0.699
78	2.402 [61.0]	.095 [2.41]	.047 [0.120]	0.699

ORDERING INFORMATION

17E HD Series High Density D-Sub

Solder Cup & Straight P.C. Mount, Front Metal Shell Fixed Contact

17EHD 0XX X XX X XX

Series _____
 Number Of Positions _____
 15, 26, 44, 62, 78
 Type _____
 P Pin (male)
 S Socket (female)

Termination Types:
 00 Solder Cup
 30 Board-mount, Vertical
 32 Board-mount, Vertical with Boardlocks
 33 Board-mount, Vertical with standoff,
 no boardlock

Panel Mounting Options:
 0 .120 (3.05) Clear Hole
 1 #4-40 Threaded Hole .190 (5.8)
 2 #4-40 Fixed Female Screwlock
 3 #4-40 Threaded Hole .124 (3.8)

Plating Code:
 AA Gold Flash over Nickel
 AM 30µ" (.76µm) Gold over Nickel

INCHES (MM)

**Right-Angle Board Mount Connectors
Front Metal Shell**

6E17 SERIES

SPECIFICATIONS:

MATERIALS AND PLATINGS

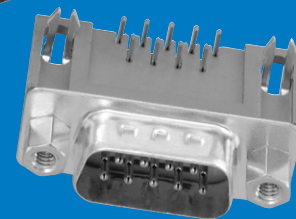
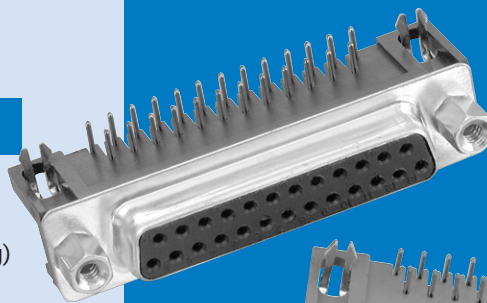
Shells	Steel, tin plated
Contacts	Precision formed copper alloy
Contact Plating	Gold over nickel
Contact Forces	Engagement: 12 oz. max. (340.2 g) Separation: .75 oz. min. (21.26 g)

ELECTRICAL DATA

Current Rating	5 amps
Dielectric Withstanding Voltage	1000 VAC/60 sec.
Dielectric	Glass filled thermoplastic, black, UL 94 VO
Contact Resistance	15 milliohms max.

CLIMATIC DATA

Temperature Range	-67°F (-55°C) to 221°F (105°C)
-------------------	--------------------------------

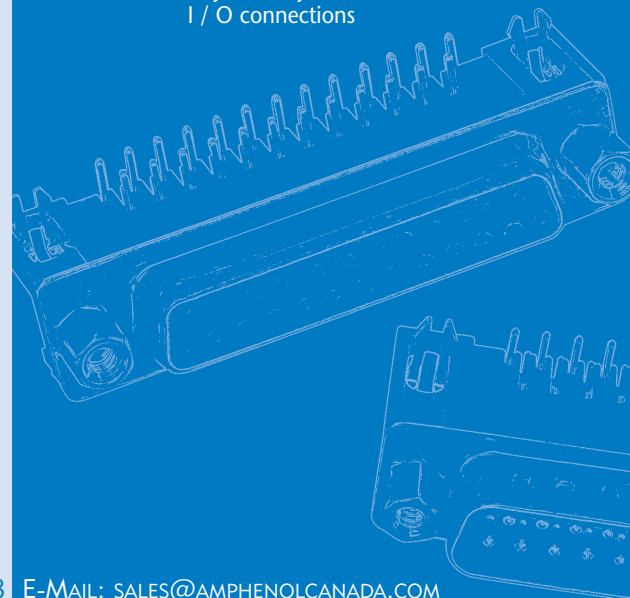


Amphenol's 6E17 series of right angle commercial connectors provide high performance at competitive prices.

The front metal shell helps to provide reduced EMI/ RFI emissions, and the contacts are selectively plated to provide additional high performance. The 6E17 series are available in a variety of board mounting and grounding options including arrowhead boardlocks and #4-40 threaded inserts.

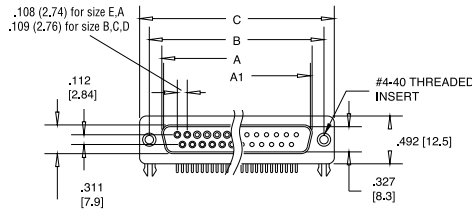
Front mounting holes are also available threaded, un-threaded and with installed female hex screwlocks.

- Industrial
- Telecom
- Any industry standard I / O connections

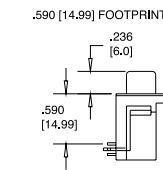
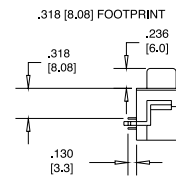
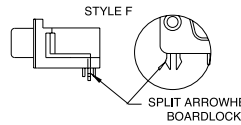
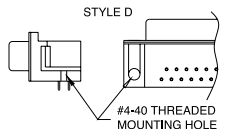
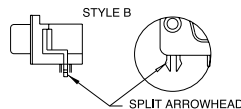
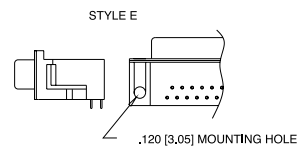
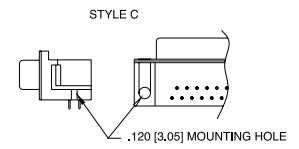
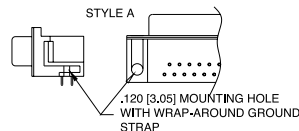
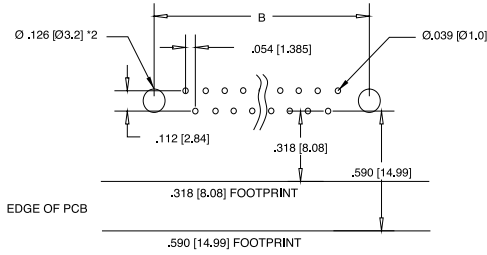
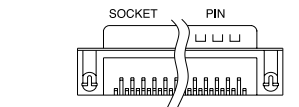


INCHES (MM)

DIMENSIONS



CONTACTS	A SOCKET	A1 PIN	B	C
9	.642 [16,30]	.666 [16,92]	.984 [25,0]	1.213 [30,8]
15	.969 [24,6]	.994 [25,25]	1.311 [33,3]	1.543 [39,2]
25	1.508 [38,3]	1.534 [38,96]	1.854 [47,1]	2.091 [53,1]
37	2.157 [54,8]	2.182 [55,42]	2.50 [63,5]	2.732 [69,4]



ORDERING INFORMATION

Series: **6E17** X **0XX** X **XX** X **XX** X

Number of Contacts: 09, 15, 25, 37

Variation Code: E for U & Y Footprint

Contact: 20 (Tin plated receptacle), 21 (Tin plated plug with grounding indents)

Code: 0 (.120 (3.05) clear hole), 1 (#4-40 threaded hole), 2 (#4-40 threaded hole with female screwlock), 4 (Fixed female round screwlock)

Code: BF (Engagement area 3µ" (.076µm) gold flash, terminal end area 100µ"/200µ" (2.54µm/5.08µm) tin/lead underplate of 50µ" (1.27µm) nickel), CF (Engagement area 15µ" (.381µm) gold flash, terminal end area 100µ"/200µ" (2.54µm/5.08µm) tin/lead underplate of 50µ" (1.27µm) nickel), AJ (Engagement area 30µ" (.76µm) gold, terminal end area 100µ"/200µ" (2.54µm/5.08µm) tin/lead underplate of 50µ" (1.27µm) nickel)

.318 (8,08) Footprint	.590 (14,99) Footprint	Description of PC Board Mounting Characteristics	Style
A		.120 (3.05) diameter mtg hole with wrap-around ground strap	A
C		split arrowhead boardlock	B
D	U	.120 (3.05) diameter mtg hole	C&E
J		#4-40 threaded mtg hole	D
	Y	split arrowhead boardlock	F

Code: P (Pin (male)), S (Socket (female))

Code: Contact Type

For filtered version, see page 56.

Dual Port Connectors

SPECIFICATIONS:

MATERIALS AND PLATINGS

Shells	Steel, tin plated
Contacts	Precision formed copper alloy
Contact Plating	Gold over nickel
Contact Forces	Engagement: 12 oz. max. (340.2 g) Separation: .75 oz. min. (21.26 g)

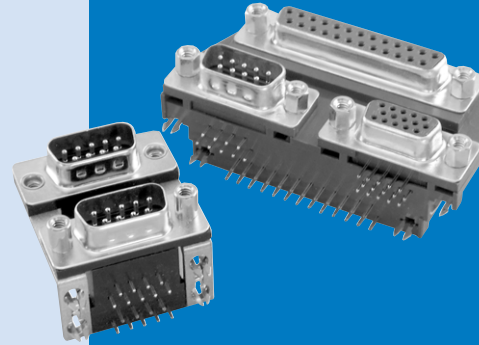
ELECTRICAL DATA

Current Rating	5 amps
Dielectric Withstanding Voltage	1000 VAC/60 sec.
Dielectric	Glass filled thermoplastic, black, UL 94 VO
Contact Resistance	15 milliohms max.

CLIMATIC DATA

Temperature Range	-67°F (-55°C) to 221°F (105°C)
-------------------	--------------------------------

6E17 H SERIES

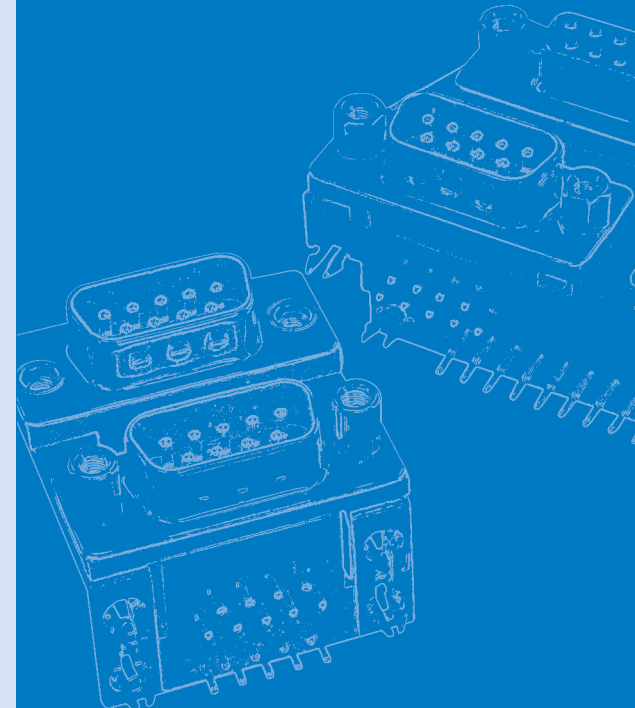


Amphenol's 61E7 series dual port connectors are a state of the art design. The front metal shell helps reduce EMI/RFI emissions.

Contacts are selectively plated for high performance at a low cost.

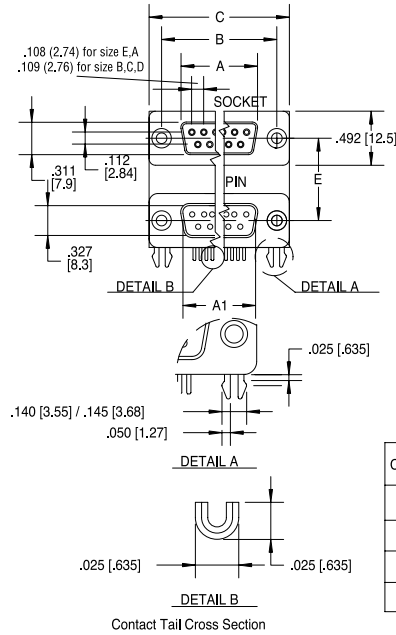
Designed to save PC board space, Amphenol's dual port "D" provides two input output connectors in a minimal amount of board space.

These connectors are available with various stacking options: same gender, mixed gender and multiple pin counts.



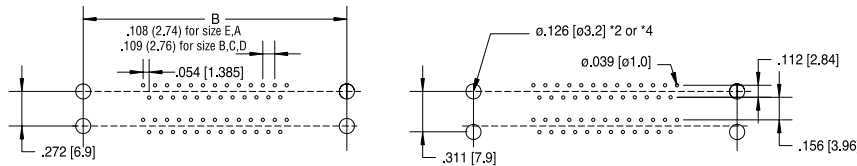
INCHES (MM)

DIMENSIONS



CONTACTS	A SOCKET	A1 PIN	B	C
9	.642 [16.30]	.666 [16.92]	.984 [25.0]	1.213 [30.8]
15	.969 [24.6]	.994 [25.25]	1.311 [33.3]	1.543 [39.2]
25	1.508 [38.3]	1.534 [38.96]	1.854 [47.1]	2.091 [53.1]
37	2.157 [54.8]	2.182 [55.42]	2.50 [63.5]	2.732 [69.4]

Code Letter	Product Description		Dimensions	
	Top Connector	Bottom Connector	E	F
A	Pin	Pin	0.900 ± 0.010 (22.86 ± 0.25)	1.415 (35.94)
B	Socket	Socket		
C	Pin	Socket		
D	Socket	Pin		
E	Pin	Pin	0.750 ± 0.010 (19.05 ± 0.25)	1.265 (32.13)
F	Socket	Socket		
G	Pin	Socket		
H	Socket	Pin	0.625 ± 0.010 (15.88 ± 0.25)	1.140 (28.96)
J	Pin	Pin		
K	Socket	Socket		
L	Pin	Socket		
M	Socket	Pin		



PCB EDGE

ORDERING INFORMATION

6E17H X XX X XX X XX X

Series
6E17H Dual port;
right angle solder tail

Code Boardlock
C Boardlock option
O No PC boardlock

Code Number of Contacts

18	2 x 9	15	15 over blank
30	2 x 15	34	9 / 25
50	2 x 25	43	25 / 9+9
74	2 x 37	H15A	VGA / Triple Audio
40	15 / 25		

Consult factory for other available configurations

Variation Code
L for .311 (7.89) Footprint

Code Housing Characteristics

- 00 Steel shell, tin plated receptacles without grounding dimples (options B, F, K)
- 01 Steel shells, tin plated plugs with grounding dimples (options A, E, J)
- 03 Steel shells, tin plated, plug shell with grounding dimples and receptacle shell without dimples (options C,G,L,D,H,M)

Code Panel Mounting Options

- 0 120° clear hole
- 1 #4-40 threaded hole
- 2 #4-40 threaded hole with female screwlock

Code Contact Plating

- BF Engagement area 3µ (.076µm) gold flash, terminal end area 100µ/200µ tin/lead, (2.54µm/5.08µm) tin/lead underplate of 50µ (1.27µm) nickel
- CF Engagement area 15µ (.381µm) gold flash, terminal end area 100µ/200µ (2.54µm/5.08µm) tin/lead underplate of 50µ (1.27µm) nickel
- AJ Engagement area 30µ (.76µm) gold, terminal end area 100µ/200µ (2.54µm/5.08µm) tin/lead underplate of 50µ (1.27µm) nickel

58.064 (22.86) Spacing	48.388 (19.05) Spacing	40.31 (15.87) Spacing	Product Description	
			Top Connector	Bottom Connector
A	E	J	Pin	Pin
B	F	K	Socket	Socket
C	G	L	Pin	Socket
D	H	M	Socket	Pin

For filtered version, see page 55.

**High Temperature
Straight Board Mount Connectors**

SPECIFICATIONS:

MATERIALS AND PLATINGS

Shells	Steel/nickel plated
Contacts	Precision formed copper alloy
Contact Plating	Gold over nickel

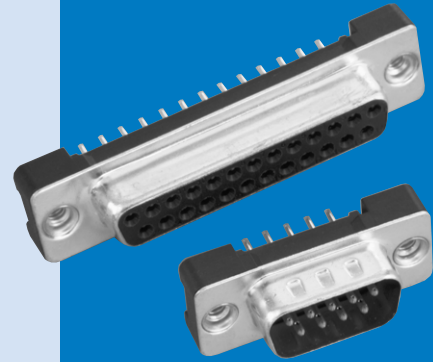
ELECTRICAL DATA

Current Rating	5 amps
Voltage Rating	600 V
Dielectric	Glass filled thermoplastic, black, UL 94 VO
Contact Resistance	10 milliohms (max.)

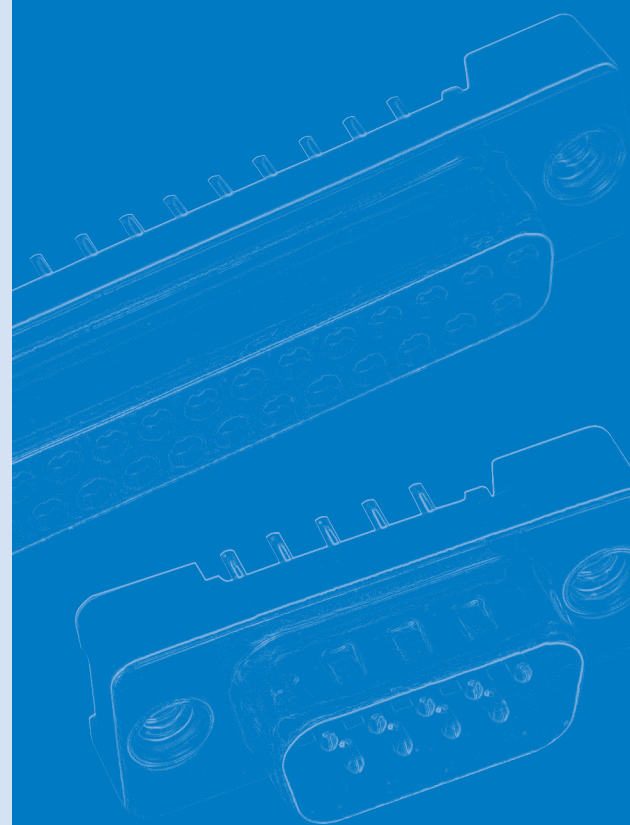
CLIMATIC DATA

Temperature Range	Environmental: -67°F (-55°C) to 302°F (150°C)
Process Compatibility	IR-Air Convection 500°F (260°C) for 20 seconds

6E17S SERIES

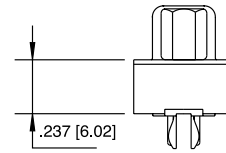
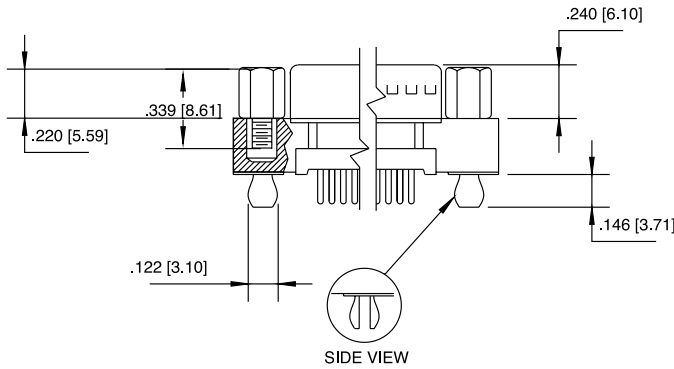
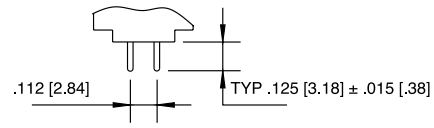
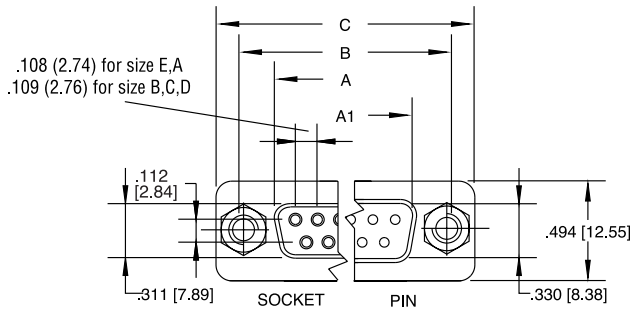


Amphenol's high temperature, low profile D-Sub connector gives you a high quality, reliable commercial connector to meet today's market demands.

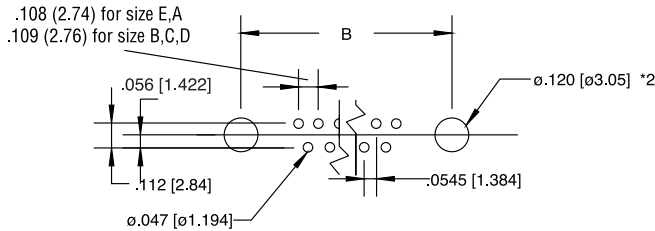


INCHES (MM)

DIMENSIONS



CONTACTS	A SOCKET	A1 PIN	B	C
9	.642 [16.30]	.666 [16.92]	.984 [25.0]	1.213 [30.8]
15	.969 [24.6]	.994 [25.25]	1.311 [33.3]	1.543 [39.2]
25	1.508 [38.3]	1.534 [38.96]	1.854 [47.1]	2.091 [53.1]
37	2.157 [54.8]	2.182 [55.42]	2.50 [63.5]	2.732 [69.4]



ORDERING INFORMATION

6E17S C OXX X XX X XX

Series —————

Code Boardlock —————

C Split arrowhead boardlock
O No boardlock

Number of contacts —————

9, 15, 25 or 37

Code Gender —————

P Pin (male)
S Socket (female)

Code Contact Plating —————

BJ Engagement area 10μ" (2.54μ) gold,
terminal end area 100μ"/200μ" (2.54μ/5.08μ)
-tin/lead, underplate of 50μ" (1.27μ) nickel
AJ Engagement area 30μ" (.76μ) gold,
terminal end area 100μ"/200μ" (2.54μ/5.08μ)
-tin/lead, underplate of 50μ" (1.27μ) nickel

Code Housing Characteristics

20 Tin plated receptacle
21 Tin plated

Code Panel Mounting Options

1 #4-40 threaded hole
2 #4-40 threaded hole with female screwlock
3 M-3 threaded hole

ED-EHD

D-Sub connectors - Screw-machined contacts

STANDARD AND HIGH DENSITY WATERPROOF CONNECTORS



CHARACTERISTICS

Materials and Platings	
Shells	Steel 2.5µm(100µ") min tin over 1.25µm(50µ") min nickel
Body	Glass-filled thermoplastic Flame retardant to UL94 V-0 Color Black
Contacts	Copper alloy(Brass for plug, Phosphor bronze for socket) gold over 1.25µm(50µ") min nickel
Boardlock	Copper alloy, 100µ" min. sn over 50µ" min. nickel.
Standoff	Copper alloy, 100µ" min. sn over 50µ" min. nickel.

Electrical Data	
Current rating	5.0A
Voltage rating	300V rms at 50Hz
Insulation resistance	>5000MΩ
Contact resistance	20mΩ Max.

Climatic Data	
Operating temperature	-55°C to +85°C
Salt spray	48 hours
Waterproof rating	IP 67 minimum

Mechanical Data					
Mating and unmating force Unit: kg (lb)					
No. of Cts		ED		EHD	
ED	EHD	Mate (max)	Unmate (min)	Mate (max)	Unmate (min)
9	15	3.05 (6.74)	0.36 (0.79)	3.81 (8.42)	0.52 (1.14)
15	26	5.09 (11.24)	0.46 (1.01)	5.95 (13.16)	1.05 (2.32)
25	44	8.44 (18.66)	0.81 (1.80)	9.26 (20.46)	1.37 (3.02)
Mating cycles		Gold flash : 100 cycles 0.76µm (30µ") : 500 cycles			

DESCRIPTION

The 17ED and 17EHD series are suitable for waterproof applications.

The machined contacts provide robustness and reliability.

This series offers:

- Panel mount connectors with solder cup, straight and right angle PCB terminations.

Connectors are waterproof unmated.

Harsh environment connectors

APPLICATIONS

- Marine electronic devices
- Industrial electrical
- Security Monitoring
- Robotics
- Lighting systems

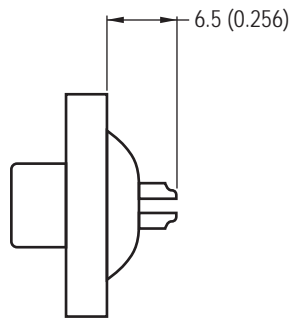


Amphenol

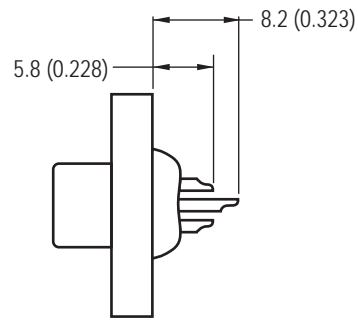
ED-EHD

Termination

Solder cup (blank) :

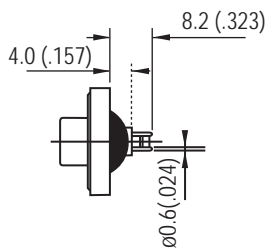


Standard density

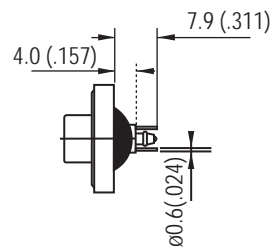


High density

Straight PCB with standoff and boardlocks:

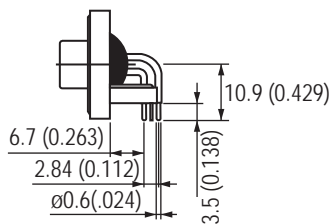


Standard density

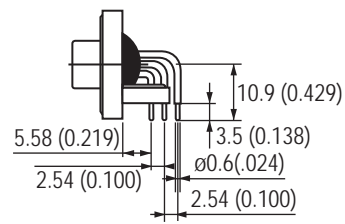


High density

Right angle PCB with brackets and boardlocks:

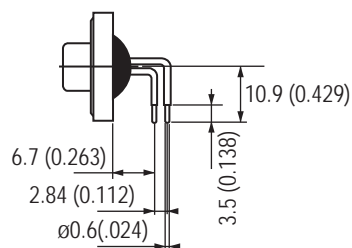


Standard density

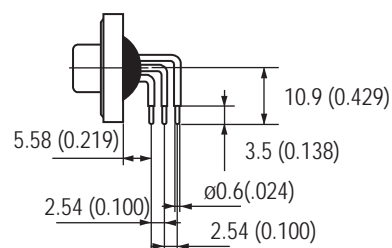


High density

Right angle PCB without brackets and boardlocks:

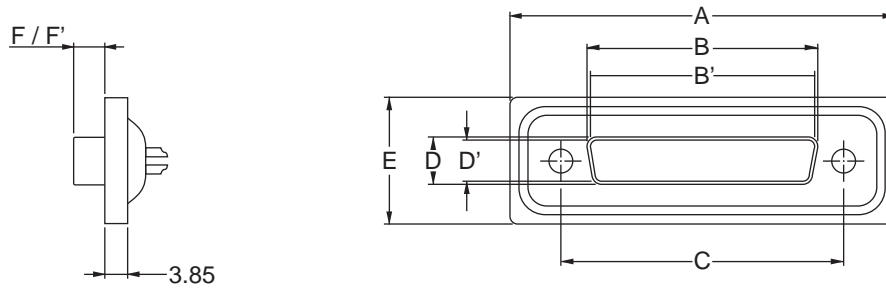


Standard density



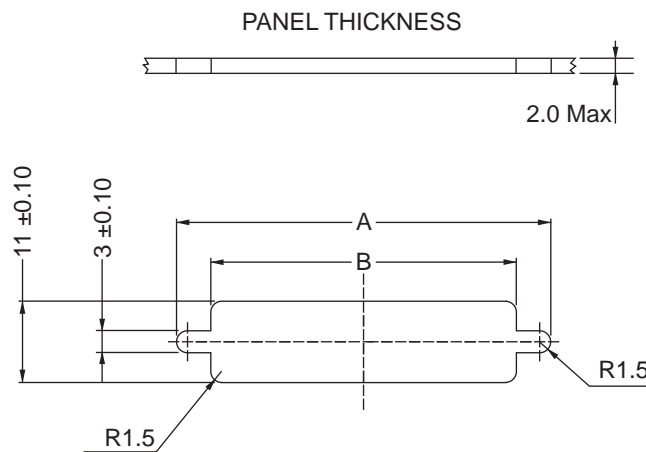
High density

Shell Size Dimensions



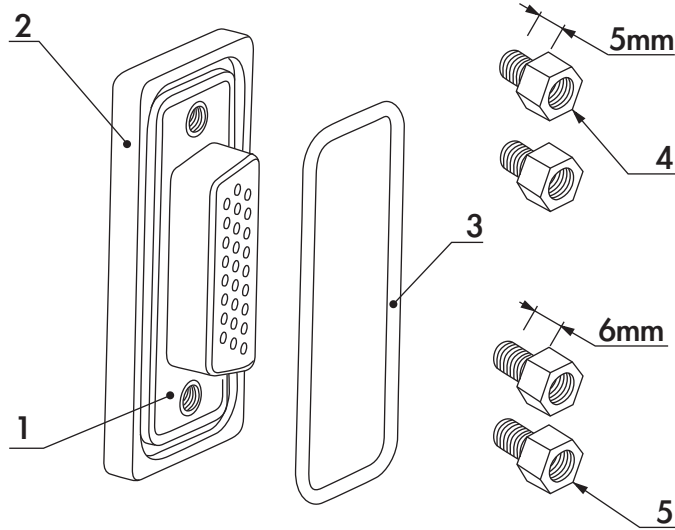
SHELL SIZE	Contact P: pin S: socket	A ±0.25 (±.010)	B 0 / -0.20 (0 / -.008)	B' +0.20 / 0 (+.008 / 0)	C ±0.10 (±.004)	D 0 / -0.25 (0 / -.010)	D' +0.25 / 0 (+.010 / 0)	E ±0.25 (±.010)	F +0.10 / -0.20 (+.004 / -.008)	F' ±0.10 (±.004)
E	P	39.4		16.8(0.661)	25.0		8.2(0.325)	21.0		5.9(0.232)
	S	(1.551)	16.4(0.646)		(0.984)	8.0(0.315)		(0.827)	6.2(0.244)	
A	P	47.7		25.1(0.988)	33.3		8.2(0.325)	21.0		5.9(0.232)
	S	(1.878)	24.8(0.976)		(1.311)	8.0(0.315)		(0.827)	6.2(0.244)	
B	P	64.5		28.8(1.528)	47.0		8.2(0.325)	21.0		5.9(0.232)
	S	(2.539)	38.5(1.513)		(1.850)	8.0(0.315)		(0.827)	6.2(0.244)	

Panel cutouts



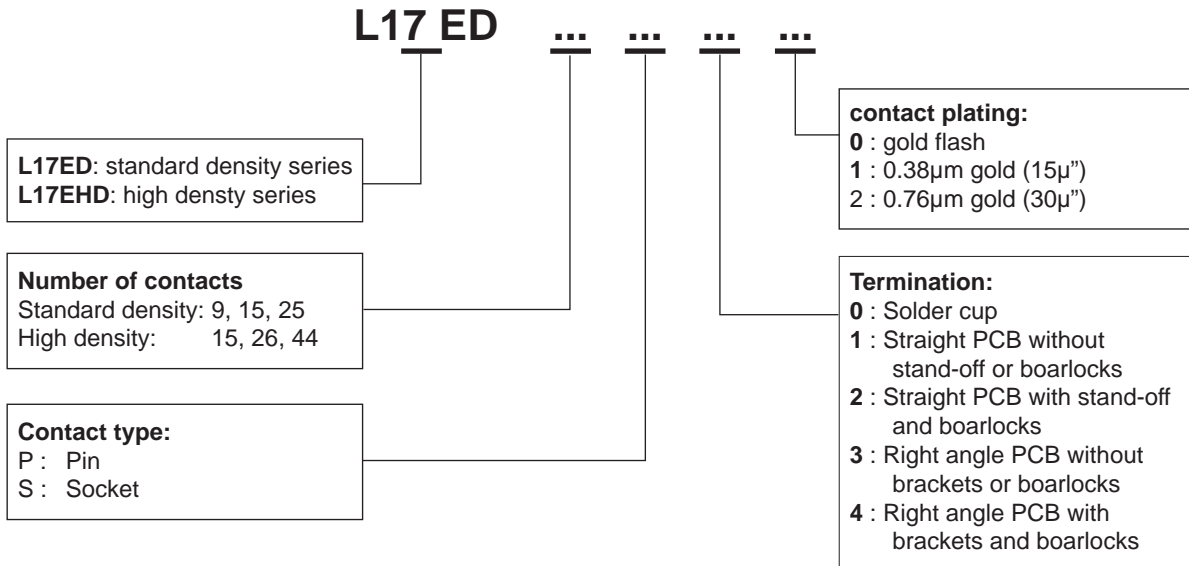
SHELL SIZE	A ±0.10(±.004)	B 0 / -0.10(0 / -.004)
E	28.8 (1.111)	20.0 (0.788)
A	36.5 (1.438)	28.0 (1.103)
B	51.0 (2.009)	41.5 (1.635)

Connector Dimensions



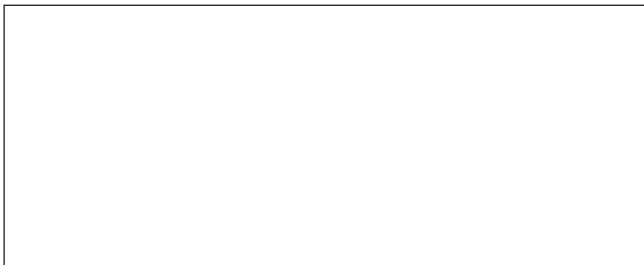
NO	Description	Material	Qty
2	Housing	Black thermoplastic UL 94-VO	1
1	Front shell	Steel tin plated	1
3	Ring	Silicone	1
4	#4-40 Front screw lock	Brass tin plated	2
5	#4-40 Front screw lock	Brass tin plated	2

How to order



For special request, please consult factory

Do not hesitate to contact us for further information



Amphenol

Amphenol IT & Communication Products

Block A3/A4, The 4th Industrial District of
Industrial Headquarters, Dong Keng Road
Gong Ming Town, Shen Zhen China
Fax: +86(0)755 2754 9955

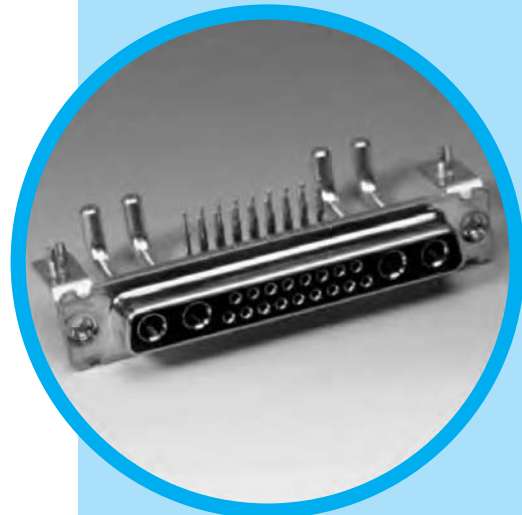
Technical Support

Tel: +86(0)755 2717 7945
Info-dsub@amphenol.com.cn
http://www.dsubconnector.com



TW

Hybrid D'Sub series



CONTENT

Specifications

• Connectors according to: MIL C24308 - NFC93425 - HE507

Materials and platings		Electrical Data	
Shells	Steel-Tin plating	Current rating	
Insulators	High temperature black thermoplastic	Signal contacts	7.5 A. with 10 A. peaks
Signal contacts	Female: machined bronze	Power contacts	
Material	Male: machined brass	PCB terminations	10 to 40 A.
Plating finish	16µ "Au over 79µ" Ni min.	Solder cup terminations	10 to 40 A.
Or	30µ "Au over 79µ" Ni min.	Crimp terminations	10 to 40 A.
Shielded contacts	Female: machined bronze	Shielded contacts	0.5 A.
Material	Male: machined brass	Voltage rating	
Plating		Signal and power contacts	300 V.R.M.S. at 50 Hz
Inner conductor	16µ "Au or 30µm Au over 79µ" Ni	Shielded contacts	150 V.R.M.S. at 50 Hz
Outer ring	10µ "Au over 79µ" Ni	Shielded contacts	
Terminations	Tinned	Frequency range	0-1 GHz
Except solder cup and crimp terminations	gold flash	Attenuation	0.2dB
Power contacts	Female: machined bronze	V. S. W. R.	1.4(+0.04/GHz)
Material	Male: machined brass	Characteristic impedance	50 Ohms
Plating		Dielectric withstanding voltage	≥ 1000 V.R.M.S. at 50Hz
Contacts	16µ "Au or 30µ" Au over 79µ" Ni	Insulation resistance	≥ 5000 M Ohms at 500 VDC
Terminations	Tinned	Contact resistance	≤ 5m Ohms
Except solder cup and crimp terminations	gold flash	Shell resistance (electrical grounding)	≤ 1m Ohm
Brackets	Steel-Tin plating		
Front jackscrews	Brass-Tin plating		
Rear clinch nuts	Brass-Tin plating		
Boardlocks	Bronze-Tin plating		
Stand-off	Brass-Tin plating		

Climatic Data		Mechanical data	
Operating temperature	-55°C + 155°C (with peaks up to 180°C)	Shells	With or without dimples
Damp heat	56 days (40°C - 95% HR)	Contact retention force in dielectric material	> 40N
Salt spray	48 hours	Maximum mating and unmating force	
		With dimples	E size = 70 N A size = 80 N B size = 100 N C size = 150 N D size = 180 N
		Without dimples	E size = 30 N A size = 50 N B size = 80 N C size = 120 N D size = 160 N
		Compatible with process	
		IR - Air convectioned	260° for 20 s.
		Resistance to solder iron heat	260°C for 30 s.
		Mating cycles	≥ 200 (classe II) or 500 (classe I)
		Blind mating system	Available upon request
		Polarization	Available with locking accessories Consult factory



DESCRIPTION

Amphenol D'Sub TW Hybrid Series permits a mix of contacts including signal, power, shielded, high voltage and fiber optics in the same housing with 18 different contacts arrangements.

This economic series was first developed from our military series, and has improved features:

- new contacts
- new high temperature black thermoplastic insert
- PCB configurations come preloaded with fixed contacts and brackets.

These connectors are supplied with screw machined contacts which are fixed in the insulator.

A complete range of housings are also available for cable application.

A full range of arrangements compatible with reflow process

APPLICATIONS

- Commercial
- Medical
- Industrial
- Telecom
- Any application requiring optimization of space



Amphenol

TW / E1

Shell and contacts plating

CLASS II

0.4µm (16µ") Au contacts gold plating
200 mating cycles

Types	Shells and plating
77 TW	Tin plated shell <i>*Male and female</i>
717 TW	Tin plated shell with dimples <i>Male only</i>




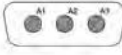
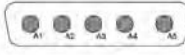
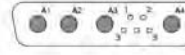

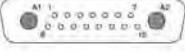










CLASS I

0.76µm (30µ") Au contacts gold plating
500 mating cycles

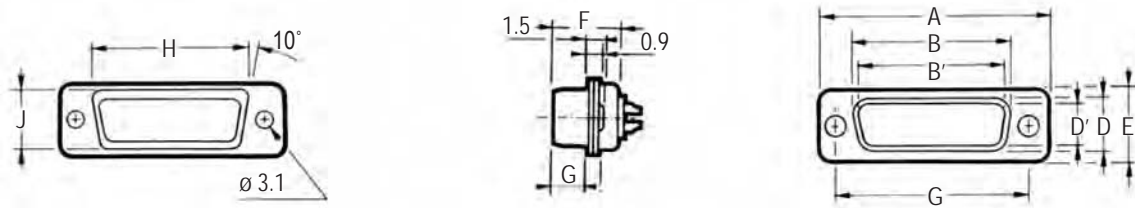
Types	Shells and plating
177 TW	Tin plated shell <i>*Male and female</i>
777 TW	Tin plated shell with dimples <i>Male only</i>

Housing arrangements

Male front view

Arrangement Shell size	 5W1 E	 7W2 A	 11W1 A
Arrangement Shell size	 3W3 A	 5W5 B	 9W4 B
Arrangement Shell size	 13W3 B	 17W2 B	 21W1 B
Arrangement Shell size	 27W2 C	 13W6 C	 17W5 C
Arrangement Shell size	 21W4 C	 8W8 C	 25W3 C
Arrangement Shell size	 24W7 D	 36W4 D	 43W2 D

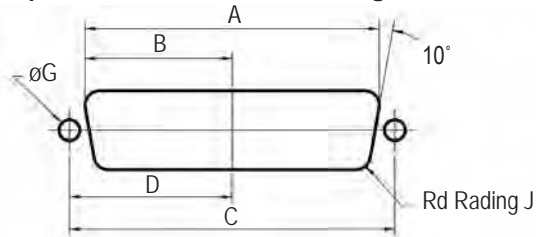
Shell size dimensions



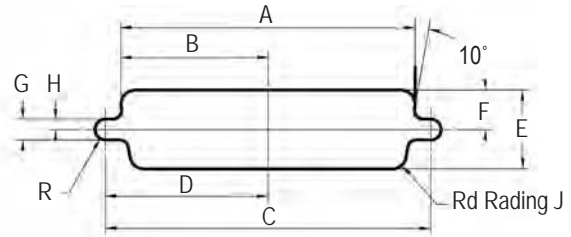
Shell size	Contact P: Pin S: Socket	A ±0.25 (±.010)	B 0/-0.20 (0/- .008)	B' +0.20/0 (+.008/0)	C ±0.10 (±.004)	D 0/-0.25 (0/- .010)	D' +0.25/0 (+.010/0)	E ±0.20 (±.008)	F +0.05/-0.20 (+.002/- .008)	F' +0.10/-0.20 (+.004/- .008)	G +0.10/-0.20 (+.004/- .008)	G' ±0.10 (±.004)	H +0.10/-0.40 (+.004/- .016)	J 0/-0.50 (0/- .020)
E	P	30.7 (1.209")		16.8 (.661")	25.0 (.984")		8.2 (.323")	12.4 (.488")		10.9 (.429")		5.9 (.232")	19.4 (.764")	11.0 (.433")
	S		16.4 (.646")			8.0 (.315")			11.1 (.437")		6.2 (.244")			
A	P	39.0 (1.535")		25.1 (.988")	33.3 (1.311")		8.2 (.323")	12.4 (.488")		10.9 (.429")		5.9 (.232")	27.7 (1.091")	11.0 (.433")
	S		24.8 (.976")			8.0 (.315")			11.1 (.437")		6.2 (.244")			
B	P	52.9 (2.083")		38.8 (1.528")	47.0 (1.850")		8.2 (.323")	12.4 (.488")		11.0 (.433")		5.8 (.228")	41.4 (1.630")	11.0 (.433")
	S		38.5 (1.513")			8.0 (.315")			11.1 (.437")		6.2 (.244")			
C	P	69.2 (2.724")		55.3 (2.177")	63.5 (2.500")		8.2 (.323")	12.4 (.488")		11.0 (.433")		5.8 (.228")	57.9 (2.280")	11.0 (.433")
	S		54.9 (2.161")			8.0 (.315")			11.1 (.437")		6.2 (.244")			
D	P	66.8 (2.630")		52.7 (2.075")	61.1 (2.406")		11.0 (.433")	15.2 (.598")		11.0 (.433")		5.8 (.228")	55.5 (2.185")	13.8 (.543")
	S		52.5 (2.067")			10.9 (.429")			11.1 (.437")		6.2 (.244")			

Panel cutouts

Optimal cutout for rear mounting

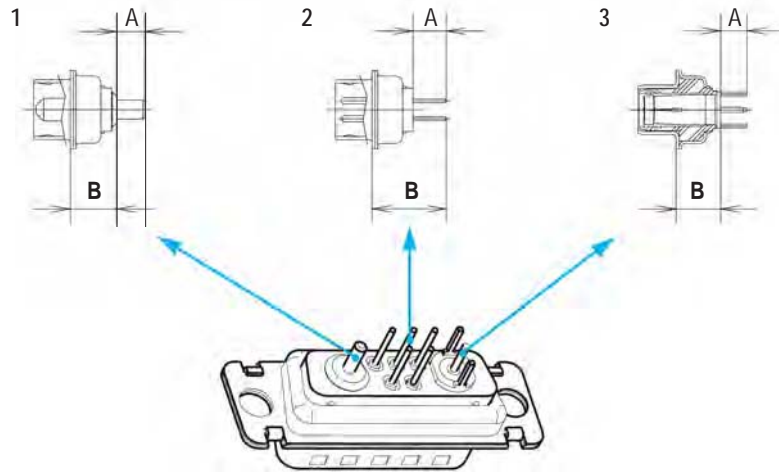


Standard cutout



Shell size	Mounting method	A ±0.20 (±.008)	B ±0.20 (±.008)	C ±0.20 (±.008)	D ±0.20 (±.008)	E ±0.20 (±.008)	F ±0.20 (±.008)	G ±0.20 (±.008)	H ±0.20 (±.008)	J ±0.20 (±.008)
E	Front	22.2 (.874")	11.1 (.437")	25.0 (.984")	12.5 (.492")	13.0 (.512")	6.5 (.256")	3.0 (.118")	1.5 (.059")	2.1 (.083")
	Rear	20.5 (.807")	10.2 (.402")							3.4 (.134")
A	Front	30.5 (1.201")	15.3 (.602")	33.3 (1.311")	16.7 (.657")	13.0 (.512")	6.5 (.256")	3.0 (.118")	1.5 (.059")	2.1 (.083")
	Rear	28.8 (1.134")	14.4 (.567")							3.4 (.134")
B	Front	44.3 (1.744")	22.1 (.870")	47.0 (1.850")	23.5 (.925")	13.0 (.512")	6.5 (.256")	3.0 (.118")	1.5 (.059")	2.1 (.083")
	Rear	42.5 (1.673")	21.3 (.839")							3.4 (.134")
C	Front	60.7 (2.390")	30.4 (1.197")	63.5 (2.500")	31.7 (1.248")	13.0 (.512")	6.5 (.256")	3.0 (.118")	1.5 (.059")	2.1 (.083")
	Rear	59.1 (2.327")	29.5 (1.161")							3.4 (.134")
D	Front	58.3 (2.295")	29.2 (1.150")	61.1 (2.406")	30.6 (1.205")	15.8 (.622")	7.9 (.311")	3.0 (.118")	1.5 (.059")	2.1 (.083")
	Rear	56.3 (2.217")	28.2 (1.110")							3.4 (.134")

Straight connector footprint



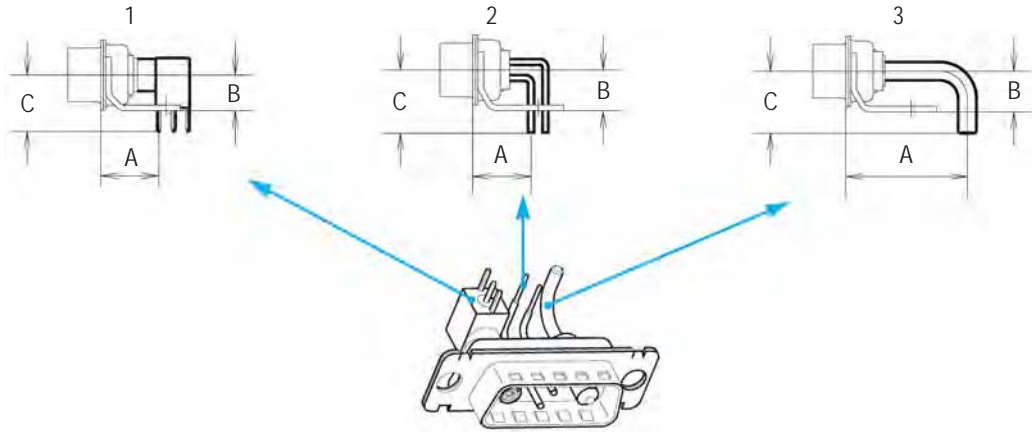
Signal tail 0.6 mm Dia. (.0236")
 1.6 mm (.063")PCB
 For other PCB thickness: consult factory.

Description		Dimensions	
		a	b
Power (.126" tail dia.)	1	4.80 mm (.198")	7.2 mm (.283")
Power (.0787" tail dia.)	1	4.80 mm (.198")	7.2 mm (.283")
Shielded	3	4.00 mm (.157")	7.2 mm (.283")
Signal	2	5.00 mm (.196")	11.50 mm (.453")

Straight contact combinations

Arrangement with signal contacts		Arrangement without signal contacts 3W3 - 5W5 - 8W8	
See above dimensions	Size 8 and 20 Contacts	See above dimensions	Size 8 Contacts
↓		↓	
P 3SY	Power 3.2 mm DIA. (.126") (20 to 40 A) and signal	P 3Y	Power only 3.2 mm DIA. (.126") (20 to 40 A)
P 2SY	Power 2 mm DIA. (.0787") (10 to 20 A) and signal	P 2Y	Power only 2 mm DIA. (.0787") (10 to 20 A)
CSY	Shielded and signal	CY	Shielded only
SY	Signal only		
No reference	Signal (Size 20) with solder cup terminations <i>Housing preloaded with contacts</i>		

Right angle connector footprint



Signal tail 0.6 mm Dia. (.0236")
 1.6 mm (.063") PCB
 For other PCB thickness: consult factory.

Description	Europe			Mix			MIL			
	a	b	c	a	b	c	a	b	c	
Shielded	1	-	-	-	-	-	-	-	-	
Signal	2	10.30mm (.406")	7.20mm (.283")	11.20mm (.441")	10.30mm (.406")	6.30mm (.248")	9.50mm (.374")	8.10mm (.319")	6.30mm (.248")	9.50mm (.374")
Power (.0787" tail dia.)	3	11.57mm (.456")	7.20mm (.283")	10.50mm (.413")	11.57mm (.456")	6.30mm (.248")	9.50mm (.374")	9.52mm (.375")	6.30mm (.248")	9.50mm (.374")
Power (.126" tail dia.)	3	21.46mm (.845")	7.20mm (.283")	10.50mm (.413")	21.46mm (.845")	6.30mm (.248")	9.50mm (.374")	21.46mm (.845")	6.30mm (.248")	9.50mm (.374")

Note: above dimensions correspond to sizes E to C. Consult factory for D sizes.
 Connector comes equipped with contacts and brackets.

Right angle contacts combinations

Arrangement with signal contacts

Arrangement without signal contacts
 3W3 - 5W5 - 8W8

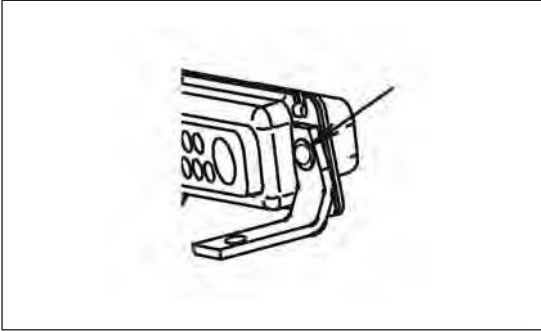
European footprint	Mixed footprint	MIL (U.S.) footprint	Size 8 and 20 Contacts	European footprint	Mixed footprint	MIL (U.S.) footprint	Size 8 contacts only
EP3SV	HP3SV	MP3SV	Power 3.2 mm DIA. (.126") (20 to 40 A) and signal	EP3V	HP3V	MP3V	Power only 3.2 mm DIA. (.126") (20 to 40 A)
EP2SV	HP2SV	MP2SV	Power 2 mm DIA. (.0787") (10 to 20 A) and signal	EP2V	HP2V	MP2V	Power only 2.0 mm DIA. (.0787") (10 to 20 A)
-	HCSV	MCSV	Shielded and signal	-	HCV	MCV	Shielded only
ESV	HSV	MSV	Signal only				

Mounting options

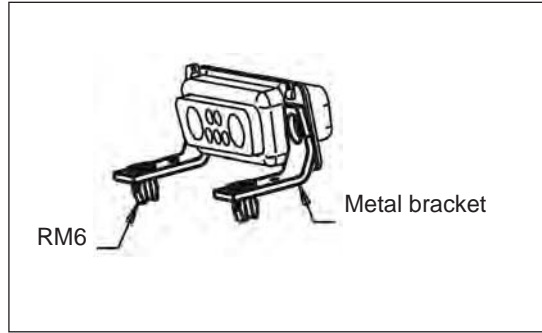
Right angle version

Connectors come equipped with metal brackets

BLANK: 3.10mm (.122") dia mounting hole

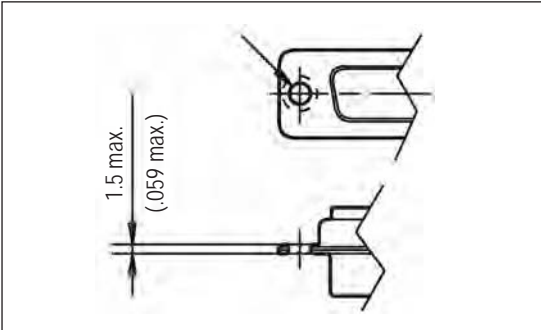


RM6: metal brackets + boardlock



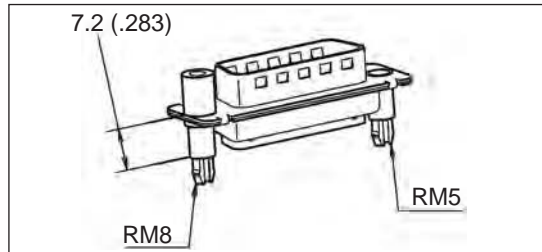
Straight version

BLANK: 3.10mm (.122") dia mounting hole



RM54: RM5 4.40 threaded

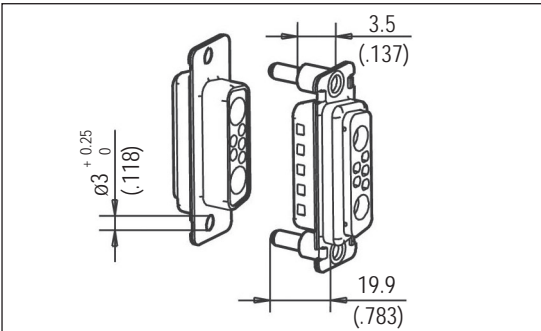
RM53: RM5 M3 threaded



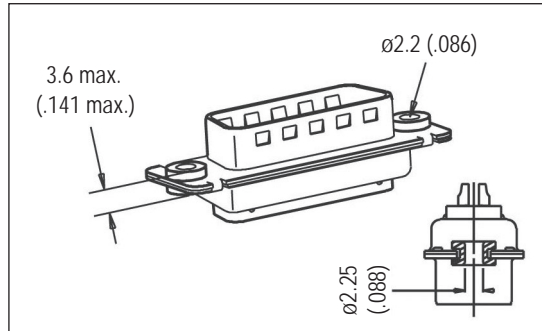
RM84: RM8 4.40 threaded

RM83: RM8 M3 threaded

A514: blind mating system



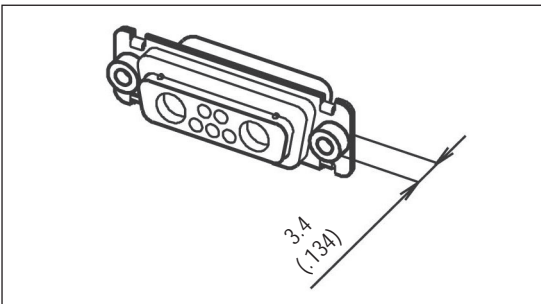
FM: float mounting system



Straight and right angle version

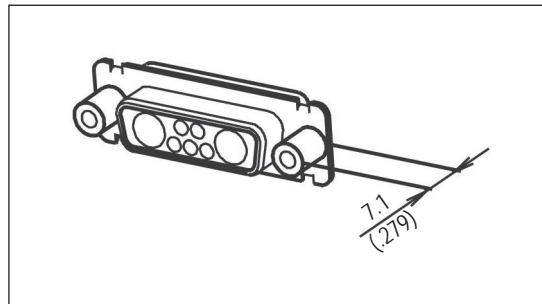
4R: 4.40 rear nut

3R: M3 rear nut

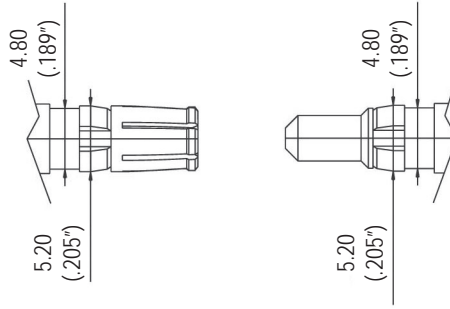


4F: 4.40 front female screwlock

3F: M3 front female screwlock



High power contacts



Solder cup version

Technical drawings of solder cup version contacts. The left drawing shows a contact with a diameter of 22 (.866) and diameters øA and øB. The right drawing shows a contact with a diameter of 22 (.866) and diameters øA and øB. The bottom drawing shows a contact with a diameter of 16 (.622).

Plug	P/N Socket	Current	Dimensions	
			A mm (inch)	B mm (inch)
L 17DM 53745-8	L 17DM 53744-7	10 to 20 Amp.	1.80 (.071")	2.55 (.100")
L 17DM 53745-7	L 17DM 53744-6	20 to 30 Amp.	2.80 (.110")	3.70 (.145")
L 17DM 53745-1	L 17DM 53744-1	30 to 40 Amp.	4.80 (.189")	5.60 (.220")

Trim dimensions: 7.5 mm (.295")

Crimp version

Technical drawings of crimp version contacts. The left drawing shows a contact with a diameter of 22 (.866) and diameters øA and øB. The right drawing shows a contact with a diameter of 22 (.866) and diameters øA and øB. The bottom drawing shows a contact with a diameter of 16 (.622).

Plug	P/N Socket	Current	Dimensions	
			A mm (inch)	B mm (inch)
L 17DM 53745-208	L 17DM 53744-207	10 to 20 Amp.	1.80 (.071")	2.55 (.100")
L 17DM 53745-207	L 17DM 53744-206	20 to 30 Amp.	2.80 (.110")	3.70 (.145")
L 17DM 53745-201	L 17DM 53744-201	30 to 40 Amp.	4.80 (.189")	5.60 (.220")

Trim dimensions: 7.5 mm (.295")

Crimping tool for all sizes
L17D479SP

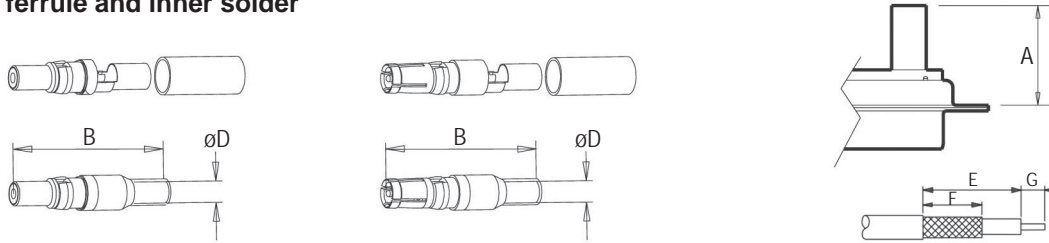


Extraction tool for sizes 8 cts



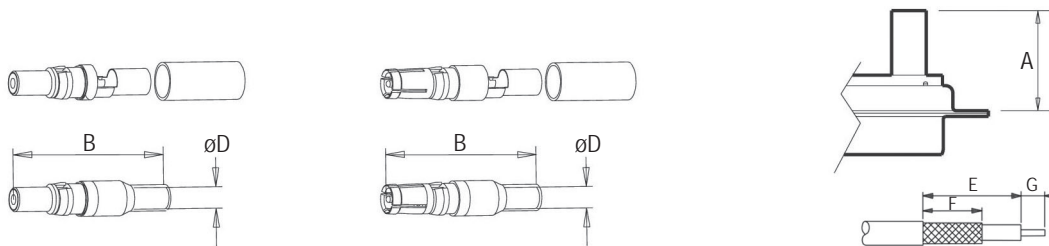
Straight shielded contacts

Crimp ferrule and inner solder



Type	P/N	Dimensions (inch)			Cable - RG	Trim dimensions (inch)		
		A Max	B	D		E	F	G
plug	L17DM 53740	18.8 (740")	23.6 (.929")	1.0 (.039")	178 B/U	7.9 (.311")	6.3 (.248")	2 (.078")
plug	L17DM 53740-1	18.8 (740")	23.6 (.929")	1.7 (.066")	179 B/U 316 B/U	7.9 (.311")	6.3 (.248")	2 (.078")
plug	L17DM 53740-3	21.5 (846")	23.6 (.929")	2.8 (.110")	180 B/U	9.5 (.374")	7.9 (.311")	2 (.078")
plug	L17DM 53740-5	21.5 (846")	23.6 (.929")	3.2 (.126")	58 C/U	9.5 (.374")	7.9 (.311")	2 (.078")
socket	L17DM 53742	18.8 (740")	23.6 (.929")	1.0 (.039")	178 B/U	7.9 (.311")	6.3 (.248")	2 (.078")
socket	L17DM 53742-1	18.8 (740")	23.6 (.929")	1.7 (.066")	179 B/U 316 B/U	7.9 (.311")	6.3 (.248")	2 (.078")
socket	L17DM 53742-3	21.5 (846")	23.6 (.929")	2.8 (.110")	180 B/U	9.5 (.374")	7.9 (.311")	2 (.078")
socket	L17DM 53742-5	21.5 (846")	23.6 (.929")	3.2 (.126")	58 C/U	9.5 (.374")	7.9 (.311")	2 (.078")

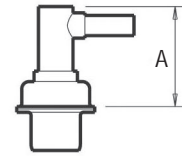
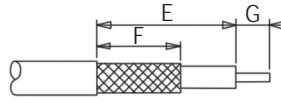
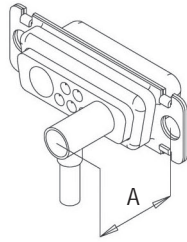
Ferrule and inner solder



Type	P/N	Dimensions (inch)			Cable - RG	Trim dimensions (inch)		
		A Max	B	D		E	F	G
short plug	L17DM 53740-5000	17.0 (669")	21.8 (.858")	1.0 (.039")	178 B/U	7.9 (.311")	6.3 (.248")	2 (.078")
plug	L17DM 53740-5001	18.8 (740")	23.6 (.929")	1.7 (.066")	179 B/U 316 B/U	7.9 (.311")	6.3 (.248")	2 (.078")
plug	L17DM 53740-5002	21.5 (846")	26.3 (1.035")	2.8 (.110")	180 B/U	9.5 (.374")	7.9 (.311")	2 (.078")
plug	L17DM 53740-5005	21.5 (846")	26.3 (1.035")	3.2 (.126")	58 C/U	9.5 (.374")	7.9 (.311")	2 (.078")
plug	L17DM 53740-5008	18.8 (740")	23.6 (.929")	1.0 (.039")	178 B/U	7.9 (.311")	6.3 (.248")	2 (.078")
short socket	L17DM 53742-5000	17.0 (669")	21.8 (.858")	1.0 (.039")	178 B/U	7.9 (.311")	6.3 (.248")	2 (.078")
socket	L17DM 53742-5001	18.8 (740")	23.6 (.929")	1.7 (.066")	179 B/U 316 B/U	7.9 (.311")	6.3 (.248")	2 (.078")
socket	L17DM 53742-5002	21.5 (846")	26.3 (1.035")	2.8 (.110")	180 B/U	9.5 (.374")	7.9 (.311")	2 (.078")
socket	L17DM 53742-5004	21.5 (846")	26.3 (1.035")	3.2 (.126")	58 C/U	9.5 (.374")	7.9 (.311")	2 (.078")
socket	L17DM 53742-50060	18.8 (740")	23.6 (.929")	1.0 (.039")	178 B/U	7.9 (.311")	6.3 (.248")	2 (.078")

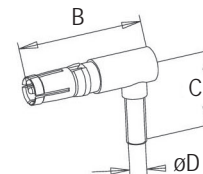
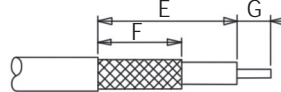
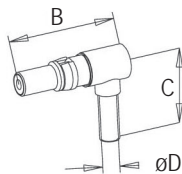
Right angled shielded contact

Crimp ferrule and inner solder



Type	P/N	Dimensions (inch)			Cable - RG	Trim dimensions (inch)		
		A Max	B	D		E	F	G
plug	L17DM 53741	13.5 (.531")	18.6 (.732")	1.0 (.039")	178 B/U	9.5 (.374")	5.9 (.232")	1.6 (.062")
plug	L17DM 53741-1	13.5 (.531")	18.6 (.732")	1.7 (.066")	179 B/U 316 B/U	9.5 (.374")	5.9 (.232")	1.6 (.062")
plug	L17DM 53741-3	13.5 (.531")	18.6 (.732")	2.8 (.110")	180 B/U	10.7 (.421")	7.9 (.311")	2.4 (.094")
plug	L17DM 53741-4	13.5 (.531")	18.6 (.732")	3.2 (.126")	58 C/U	10.7 (.421")	7.9 (.311")	2.4 (.094")
socket	L17DM 53743-2	13.5 (.531")	18.6 (.732")	1.0 (.039")	178 B/U	9.5 (.374")	5.9 (.232")	1.6 (.062")
socket	L17DM 53743-3	13.5 (.531")	18.6 (.732")	1.7 (.066")	179 B/U 316 B/U	9.5 (.374")	5.9 (.232")	1.6 (.062")
socket	L17DM 53743-5	13.5 (.531")	18.6 (.732")	2.8 (.110")	180 B/U	10.7 (.421")	7.9 (.311")	2.4 (.094")
socket	L17DM 53743-6	13.5 (.531")	18.6 (.732")	3.2 (.126")	58 C/U	10.7 (.421")	7.9 (.311")	2.4 (.094")

Ferrule and inner solder



Type	P/N	Dimensions (inch)			Cable - RG	Trim dimensions (inch)		
		A Max	B	D		E	F	G
plug	L17DM 53741-5000	13.5 (.531")	18.6 (.732")	1.0 (.039")	178 B/U	9.5 (.374")	5.9 (.232")	1.6 (.062")
plug	L17DM 53741-5001	13.5 (.531")	18.6 (.732")	1.7 (.066")	179 B/U 316 B/U	9.5 (.374")	5.9 (.232")	1.6 (.062")
plug	L17DM 53741-5003	13.5 (.531")	18.6 (.732")	2.8 (.110")	180 B/U	10.7 (.421")	7.9 (.311")	2.4 (.094")
plug	L17DM 53741-5004	13.5 (.531")	18.6 (.732")	3.2 (.126")	58 C/U	10.7 (.421")	7.9 (.311")	2.4 (.094")
socket	L17DM 53743-5000	13.5 (.531")	18.6 (.732")	1.0 (.039")	178 B/U	9.5 (.374")	5.9 (.232")	1.6 (.062")
socket	L17DM 53743-5001	13.5 (.531")	18.6 (.732")	1.7 (.066")	179 B/U 316 B/U	9.5 (.374")	5.9 (.232")	1.6 (.062")
socket	L17DM 53743-5003	13.5 (.531")	18.6 (.732")	2.8 (.110")	180 B/U	10.7 (.421")	7.9 (.311")	2.4 (.094")
socket	L17DM 53743-5004	13.5 (.531")	18.6 (.732")	3.2 (.126")	58 C/U	10.7 (.421")	7.9 (.311")	2.4 (.094")

Crimping tool

Hand crimp tool

227-0944 (without dies) (M 22 520/5-01)

RG cables	MIL reference	Amphenol P/N	dim. between 2 flat surface	
			cavity A	cavity B
RG 58 C/U	M 22 520/5-05	227 1221-05	5.41	-
RG 178 B/U	M 22 520/5-03	227 1221-03	-	2.67
RG 179 B/U	M 22 520/5-03	227 1221-03	3.25	-
RG 180 B/U	M 22 520/5-05	227 1221-05	-	4.52

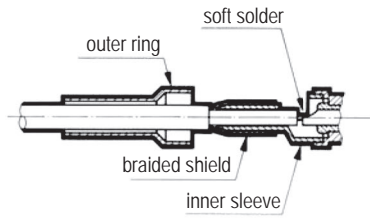
Extraction tool

Extraction tool for sizes 8 cts
L17D429SP

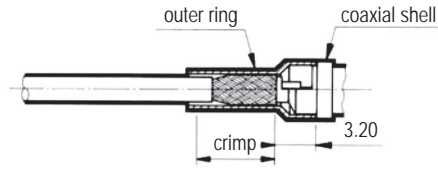


Cabling instructions for shielded contacts

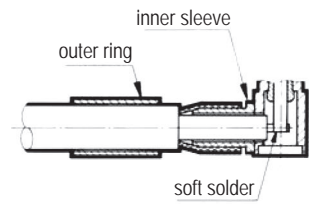
Straight crimp shielded contacts:



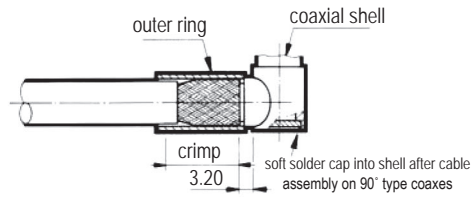
inner solder contact outer crimp contact



Right angle crimp shielded contacts:



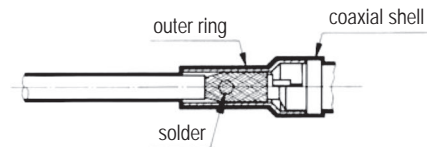
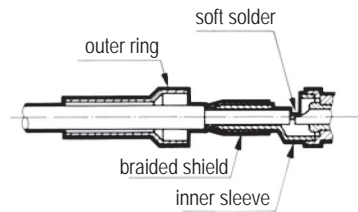
inner solder contact outer crimp contact



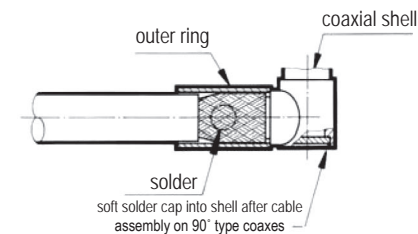
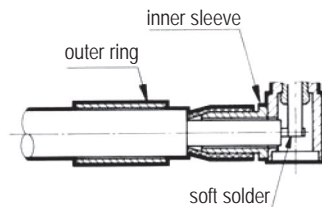
Assembly method

- Slide the outer ring over the cable jacket. Trim the cable according to the recommended dimensions.
- Insert the cable dielectric and the center conductor inside the inner sleeve.
- Solder the central conductor to the shielded center contacts.
- Slide the outer ring towards the inner sleeve and recover the braid.
- Using crimp hand tool equipped with the appropriate dies, crimp in the area defined.

Solder straight shielded contacts:



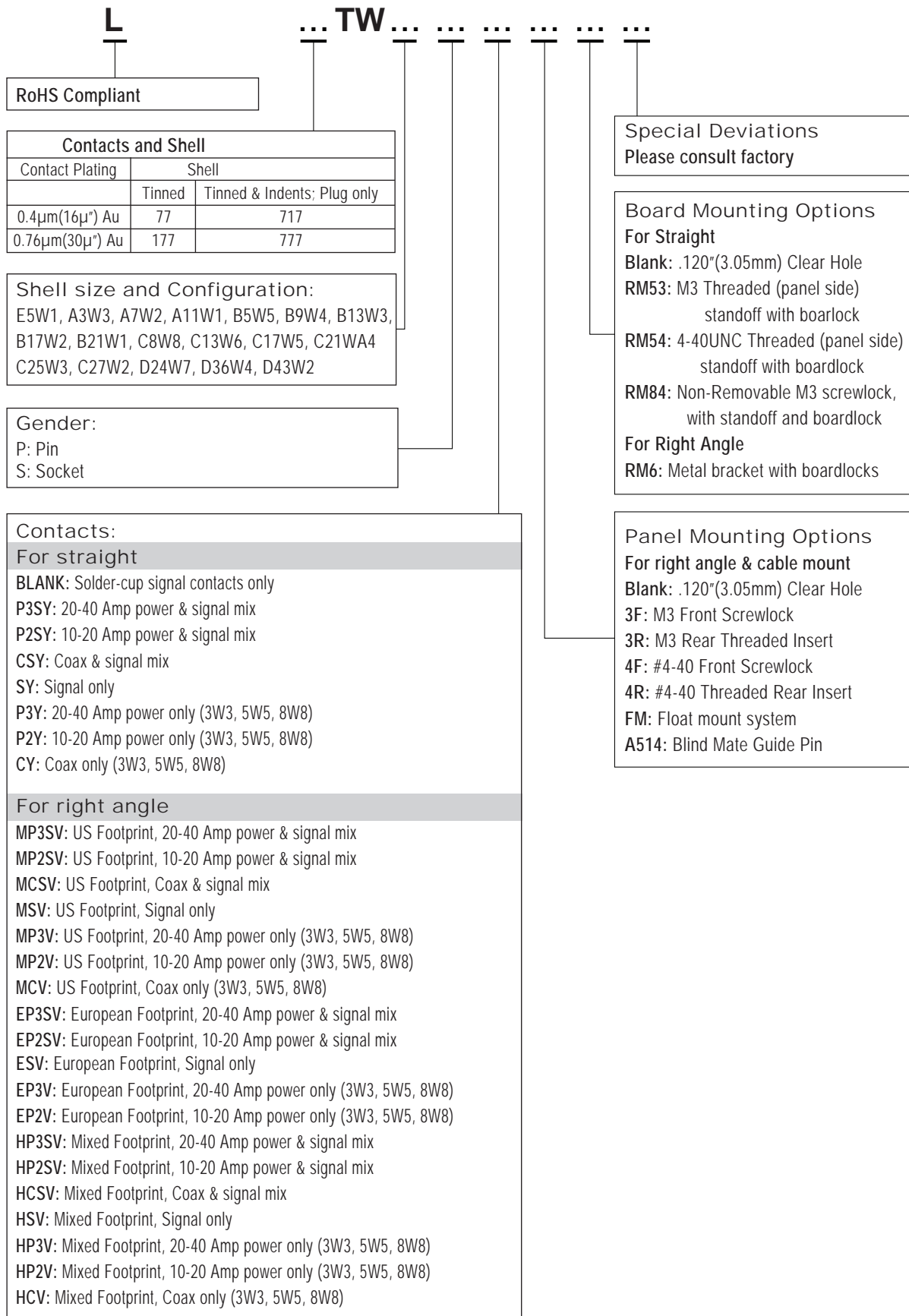
Solder right angle shielded contacts:



Assembly method

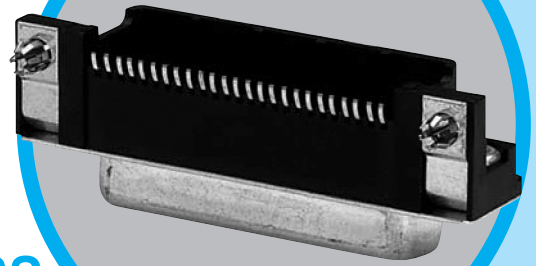
- Slide the outer ring over the cable jacket. Trim the cable according to the recommended dimensions.
- Insert the cable dielectric and the center conductor inside the inner sleeve.
- Solder the central conductor to the shielded center contacts.
- Slide the outer ring towards the inner sleeve and recover the braid.
- Solder by introducing metal through the outer ring hole.

How to build your part number



SM2

D-Sub connectors - Stamped and Formed Contacts



SURFACE MOUNT CONNECTORS

CHARACTERISTICS

Specifications

- Connectors according to MIL C24308 - NFC 93425-HE5

Materials and Platings	
Shells	Steel with tin plating
Insulator	High temperature (peak at 260°C) glass-filled thermoplastic, UL 94V-0
Socket contact	Stamped and formed brass, selected gold in mating area; 2.54µm (100µ") min. tin on termination area, with entire contact under-plated 1.27µm (50µ") min. nickel
Rear insert	Brass, 3µm up to 5µm (118µ" up to 197µ") tinned over nickel 2µm up to 3µm (78µ" to 118µ")
Boardlock	Tin plating 4µm up to 6µm (157µ" up to 236µ") over nickel 2µm up to 3µm (78µ" up to 118µ"), insertion force: Low Insertion Force = LIF (bronze) Zero Insertion Force = ZeFo (bronze)
Screwlock	Brass, 6µm up to 10µm (236µ" up to 394µ") tinned over nickel 2µm up to 3µm (78µ" up to 118µ")
Grounding	Grounding strap: brass, 4µm up to 6µm tin plating over nickel 2µm up to 3µm (78µ" up to 118µ")

Electrical Data	
Current rating	3A
Voltage rating	300V AC/rms 50Hz
Withstanding voltage	1000V AC/rms 50Hz for one minute
Insulation resistance	5000MΩ
Contact resistance	10mΩ max

Climatic Data	
Operating temperature	85°C, peak at 105°C
Damp heat	56 days (40°C - 95% HR)

Mechanical Data	
Single contact insertion force	1.2N < F < 2.5N
Single contact withdrawal force	0.4N min
LIF boardlock	8N max per connector
Coplanarity of contacts	0.2mm (.008") max

Mating and unmating force
Unit: N

No. of Cts	Mate (max)	Unmate (min)
9 (size E)	30	3.5
15 (size A)	50	4.5
25 (size B)	83	8.0

DESCRIPTION

Amphenol SMT D-Sub is offered in right angle, receptacle with brackets, as an industry standard for I / O connections.

Boardlock features:

- LIF (Low Insertion Force) boardlock especially designed to be fully compatible with pick and place machine.
- ZeFo (Zero Force Insertion) boardlock has been designed so that once placed and expanded, secures a safe locking.

*Designed for
Pick and Place
SMT process*

APPLICATIONS

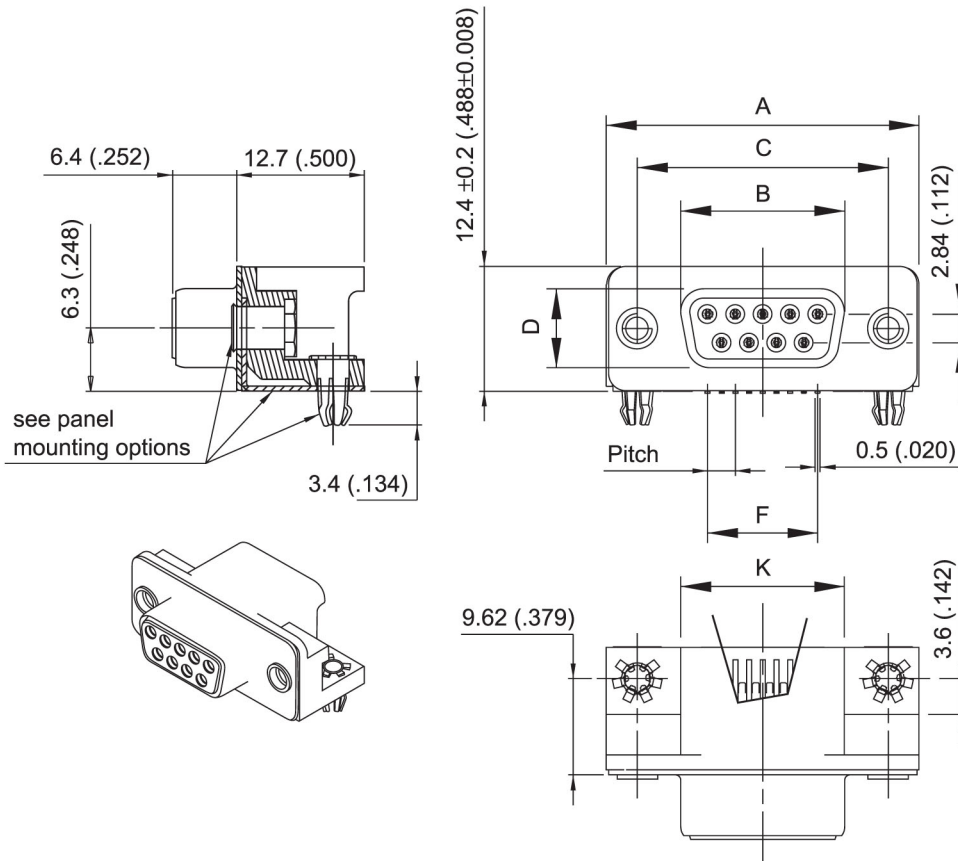
- Industrial
- Telecom
- Any industry standard I / O connections



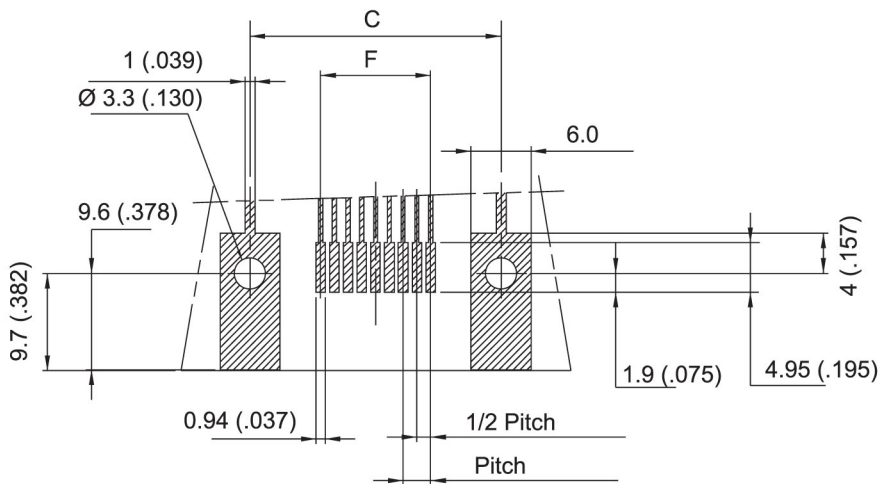
Amphenol

SM2 / E2

Shell Size Dimensions



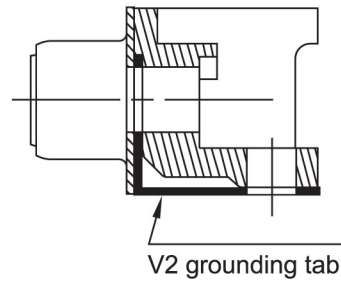
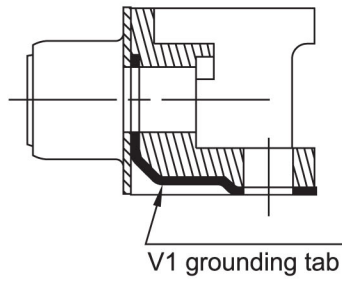
PCB LAYOUT



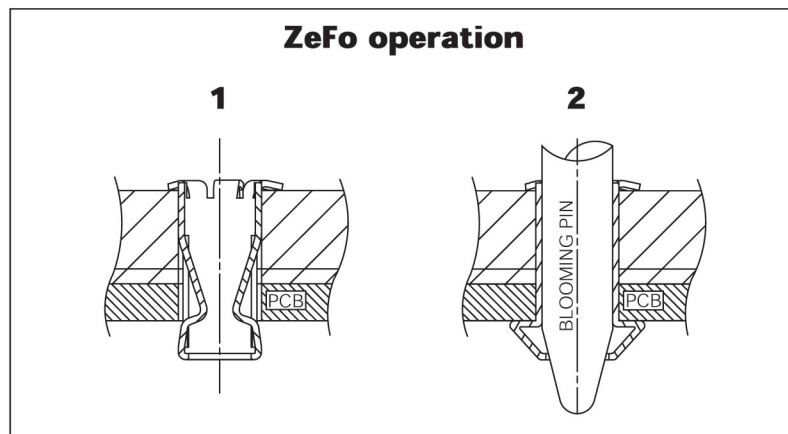
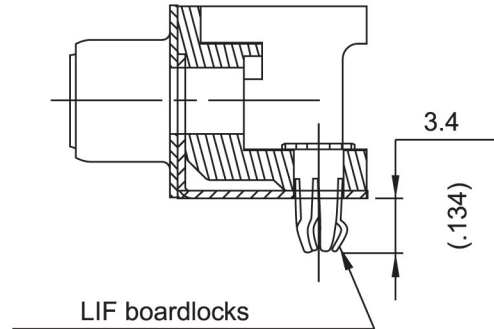
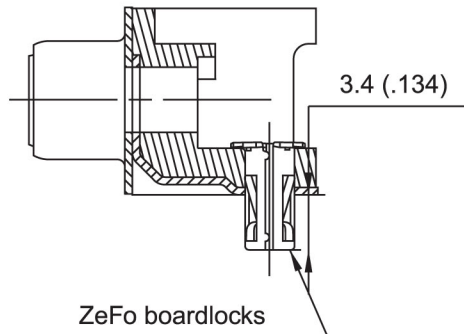
SHELL SIZE	mm (inch)						
	A +0.05 (.002) -0.1 (.004)	B 0 -0.2 (.008)	C ±0.1 (.004)	D 0 -0.25 (.01)	PITCH	F	K
E	31.15 (1.226)	16.4 (.645)	25 (.984)	8.03 (.316)	2.74 (.1078)	10.97 (.432)	16.3 (.642)
A	39.4 (1.551)	24.8 (.976)	33.3 (1.311)	8.03 (.316)	2.74 (.1078)	19.2 (.756)	24.6 (.968)
B	53.3 (2.098)	38.5 (1.515)	47 (1.850)	8.03 (.316)	2.76 (.1086)	33.12 (1.304)	38.3 (1.508)

Panel mounting option

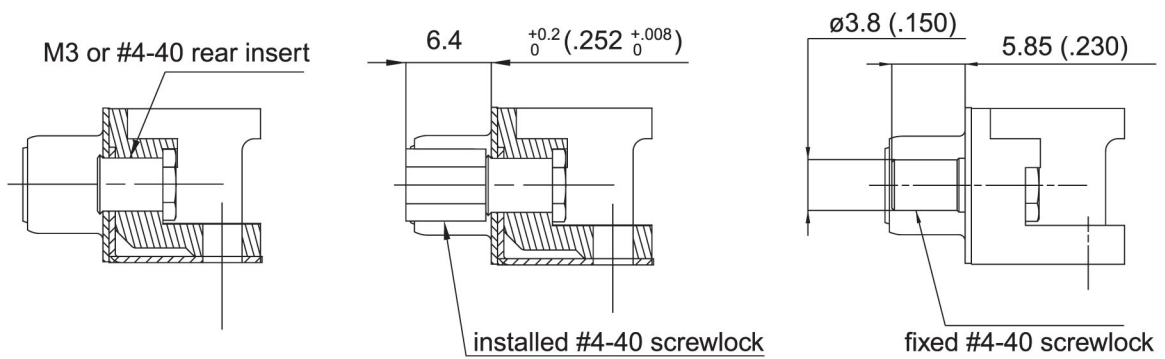
GROUNDING TABS:



BOARDLOCKS:



FLANGES ACCESSORIES:



Threaded Rear

1/2

Installed Front Female

5

Fixed Front Female

6

Stamped And Formed Contacts Solder-Cup And Straight PCB Termination

Standards: UL File: E149426
Connectors according to: MIL C24308 - NFC 93425-HE5

SPECIFICATIONS:

MATERIALS AND PLATINGS

Shells	Steel
Insulator	Glass-filled thermoplastic, UL 94V-0
Pin Contact	Brass, selected gold in mating area; 100µ" (2.54µm) min. tin-lead on termination area over 50µ" (1.27µm) min. nickel
Socket Contact	Phosphor bronze, selected gold in mating area; 100µ" (2.54µ) min. tin-lead on termination area over 50µ" (1.27µm) min. nickel
Rear Insert	Brass, 100µ" (2.54µm) min. nickel plated
Boardlock	Brass, 100µ" (2.54µm) min. nickel plated
Screwlock	Brass, 100µ" (2.54µm) min. nickel plated

ELECTRICAL DATA

Current Rating	Standard Density: 5A per contact
Voltage Rating	250V AC/ rms 50Hz
Withstanding Voltage	1000V AC/ rms 50Hz for one minute
Insulation Resistance	1000MΩ at 500V DC
Contact Resistance	20 mΩ max.

CLIMATIC DATA

Operating Temperature -67°F (-55°C) to +257°F (125°C)

MECHANICAL DATA

Single Contact Insertion Force 1.19 lb. (0.54 kg.) max.
Single Contact Withdrawal Force 0.13 lb. (0.06 kg.) min.

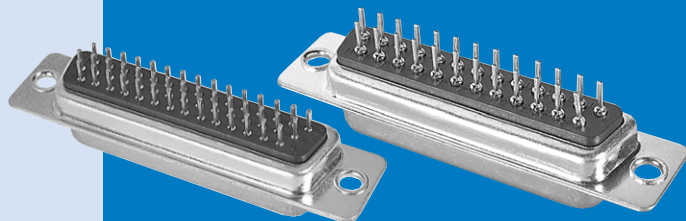
Mating and Unmating Force
Unit: lb. (kg.)

No. of Pos	SD	
	Mate (max.)	Unmate (min.)
9	3.05 (6.74)	0.36 (0.79)
15	5.09 (11.24)	0.46 (1.01)
25	8.44 (18.66)	0.81 (1.8)
37	12.51 (27.65)	1.1 (2.47)
50	14.65 (32.38)	1.6 (3.56)

Standard plating thicknesses

- gold flash
- 15µ" (0.381µm) gold
- 30µ" (0.76 µm) gold

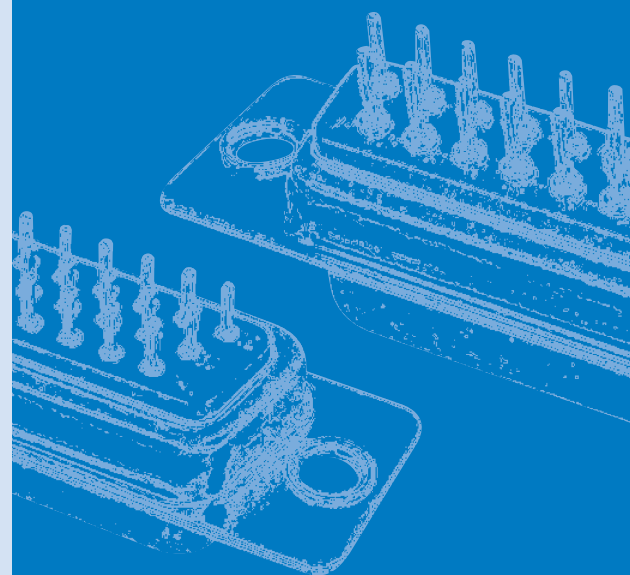
SD SERIES



Amphenol's SD series, features precision stamped and formed contacts with closed entry contact cavities in insulator.

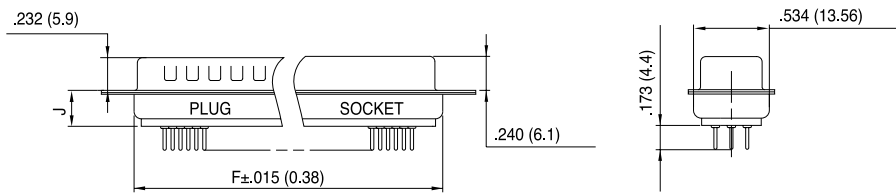
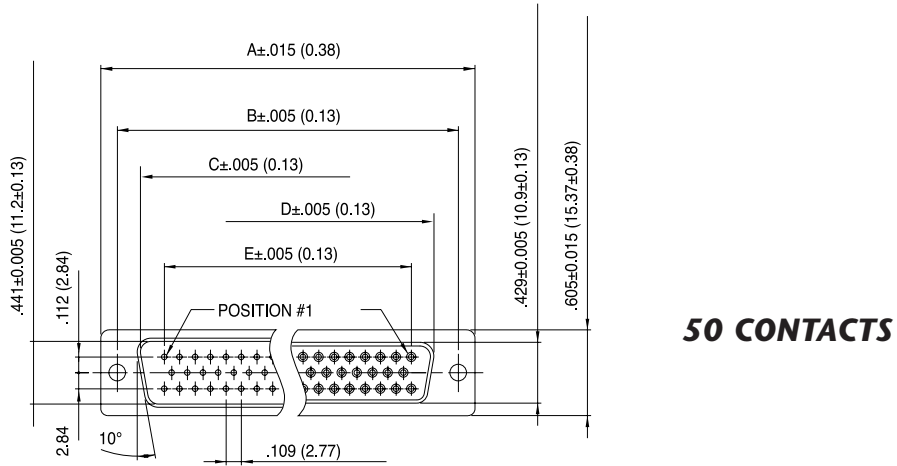
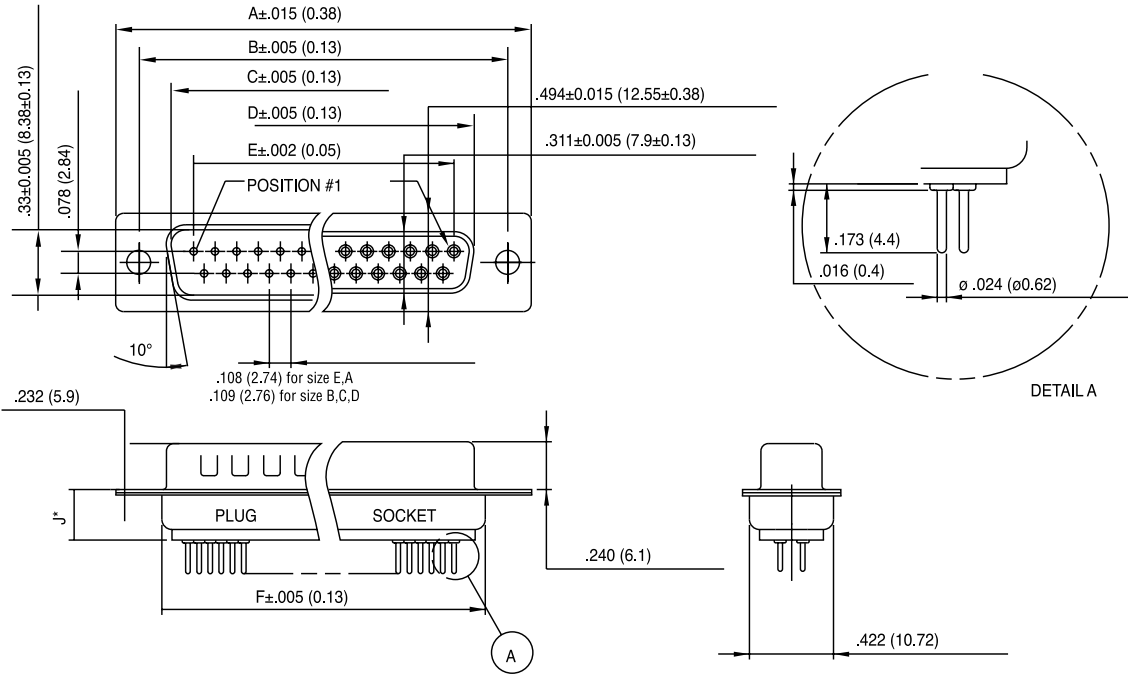
This series provides Amphenol's high standard of quality and reliability, to meet all of your commercial requirements.

- Industrial
- Telecom
- Any industry standard I / O connections



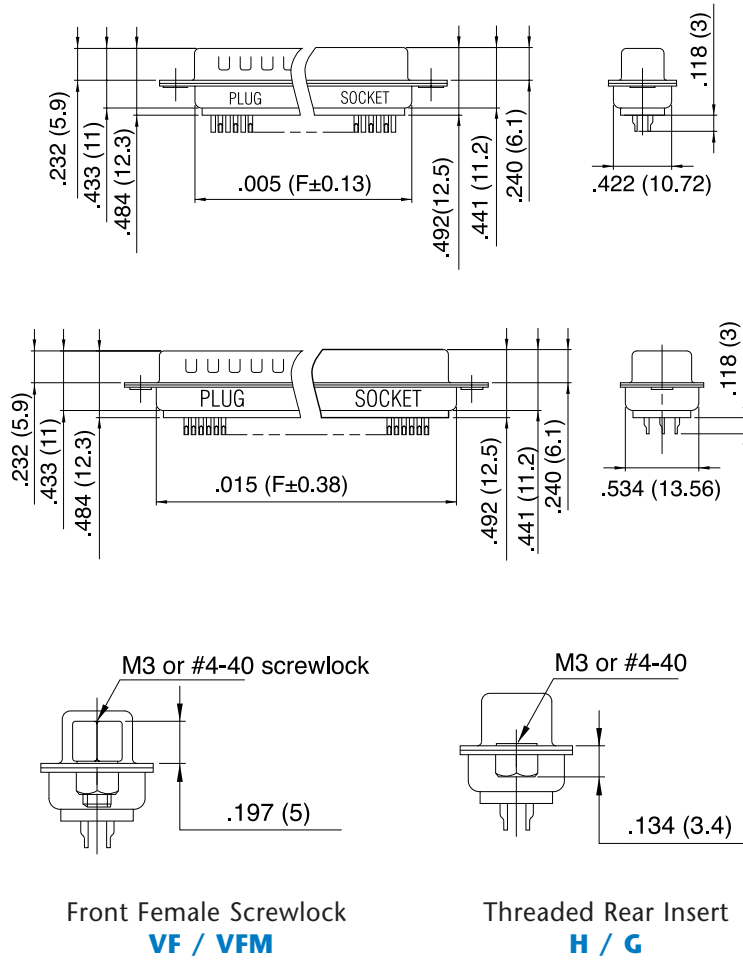
INCHES (MM)

DIMENSIONS

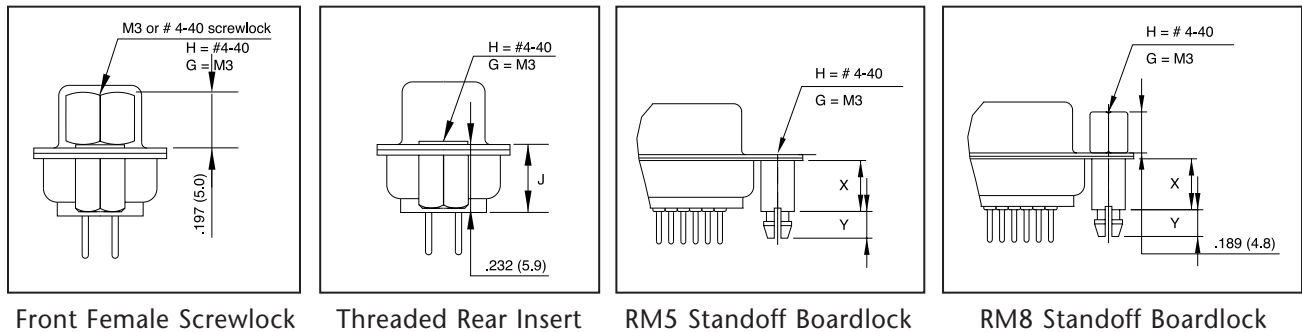


No. of Contacts	Dimensions					
	A	B	C	D	E	F
9	1.21 (30.84)	.98 (24.99)	.67 (16.92)	.64 (16.24)	.44 (11.09)	.76 (19.28)
15	1.54 (39.24)	1.31 (33.32)	.972 (24.7)	.97 (24.56)	.76 (19.39)	1.08 (27.51)
25	2.09 (53.04)	1.85 (47.04)	1.53 (38.96)	1.51 (38.38)	1.31 (33.24)	1.63 (41.30)
37	2.73 (69.32)	2.50 (63.50)	2.18 (55.42)	2.16 (54.76)	1.96 (49.86)	2.27 (57.71)
50	2.64 (67.06)	2.41 (61.11)	2.08 (52.86)	2.06 (52.34)	1.75 (44.32)	2.18 (55.3)

50 CONTACTS



PANEL MOUNTING OPTION PRINTED CIRCUIT BOARD TERMINATIONS



	RM5 RM8	RM5G RM8G
X	.236 (6.0)	.500 (12.7)
Y	.126 (4.2)	.126 (3.2)
J	.244 (6.2)	.465 (11.8)

INCHES (MM)

ORDERING INFORMATION

XXX - XX - X - X - XX - X - XXX - XXX - 309

Gold Flash	<p>77: tinned shell for receptacle</p> <p>717: tinned shell + dimples for plug</p>
15µ" (0.4µm)	<p>177: tinned shell for receptacle</p> <p>777: tinned shell + dimples for plug</p>

SD: standard density

Shell size: E, A, B, C, D

Mounting Type:

- H rear insert 4-40
- G rear insert M3
- blank standard rivet .120 (3.05)

H,G must also be used to specify the threading of RM5 or RM8 grounding tabs.

Plating Option:

valid only for 30µ" (0.76µm)

- 77 C309
- or
- 717 C309

Grounding Tabs*:

- RM5 boardlock
 - RM8 boardlock + front screwlock
- *not available with s-cup

Termination

- Straight for PCB = OL2
- Blank = solder cup

Contact Type:

- P pin
- S socket

Configuration:

- SD 9, 15, 25, 37, 50

For Filtered D-Sub, see page 56.

Fixed Machined Contact Connector

- Standards:
- UL File: E119881
 - Connectors according to MIL C24308

SPECIFICATIONS:

MATERIALS AND PLATINGS

Shells	Steel yellow chromated over zinc or tinned steel with or without dimples on plug connector
Insulator	Glass-filled thermoplastic, UL 94V-0
Rear Insert	Brass, 118µ" up to 197µ" (3µm up to 5µm) tinned over nickel 78µ" up to 118µ" (2µm up to 3µm)
Boardlock	Tin-lead plating 157µ" up to 236µ" (4µm up to 6µm) over nickel 78µ" up to 118µ" (2µm up to 3µm)
Screwlock	Brass, 236µ" up to 394µ" (6µm up to 10µm) tinned over nickel 78µ" up to 118µ" (2µm up to 3µm)
Contacts	D: brass DF: pin = brass Socket = copper alloy
Right Angle Version	Selective gold in mating area over 78µ" up to 118µ" (2µm up to 3µm) nickel; 118µ" up to 197µ" (3µm up to 5µm) tin-lead on termination area over 78µ" up to 118µ" (2µm up to 3µm) nickel
Straight Version	Full gold plating over 78µ" up to 118µ" (2µm up to 3µm) nickel

ELECTRICAL DATA

Current Rating	7.5 A
Voltage Rating	300 V AC/rms 50Hz
Withstanding Voltage	1000V AC/rms 50Hz for one minute
Insulation Resistance	5000MΩ
Contact Resistance	D: 8.5mΩ max. DF: 5mΩ max.

CLIMATIC DATA

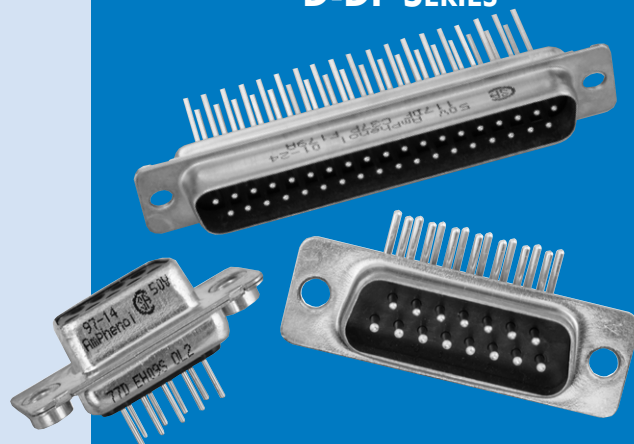
Operating Temperature	D: -67°F (-55°C) to +185°F (85°C), peak at 257°F (125°C) DF: -67°F (-55°C) to + 257°F (125°C)
------------------------------	--

MECHANICAL DATA

No. of Contacts	Mate (max.)	Unmate (min.)
9 (size E)	6.74 (3.05)	0.79 (0.36)
15 (size A)	11.24 (5.09)	1.01 (0.46)
25 (size B)	18.66 (8.44)	1.8 (0.81)
37 (size C)	27.65 (12.51)	2.47 (1.1)
50 (size D)	32.38 (14.65)	3.56 (1.6)

INCHES (MM)

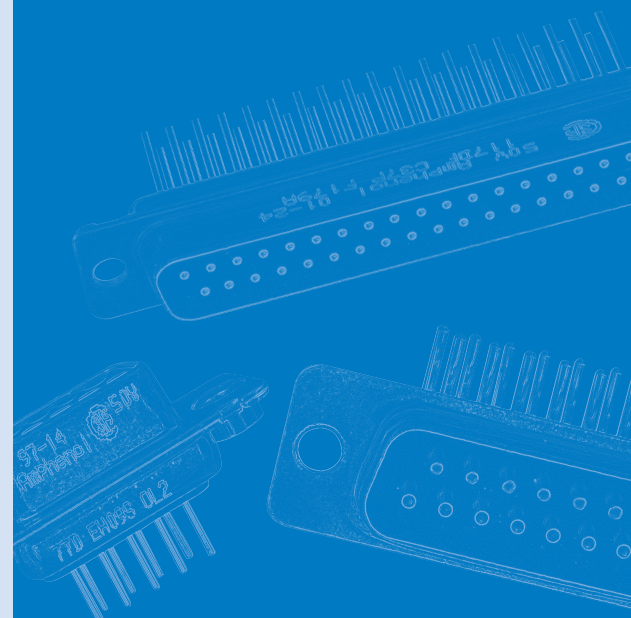
D-DF SERIES



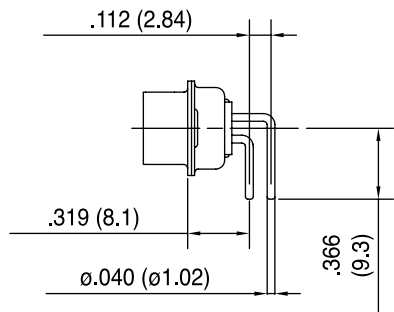
The Amphenol SD series features precision formed contacts, and 4 finger boardlocks.

This series gives you Amphenol's high standards of quality and reliability to meet all of your commercial requirements.

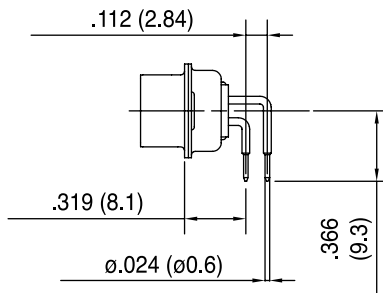
- Industrial
- Telecom
- Any industry standard I / O connections



Without bracket

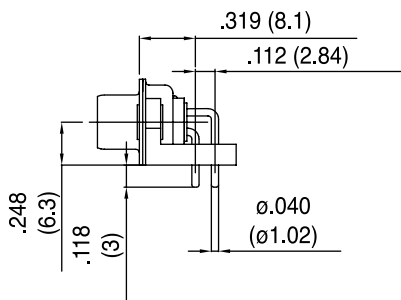


C

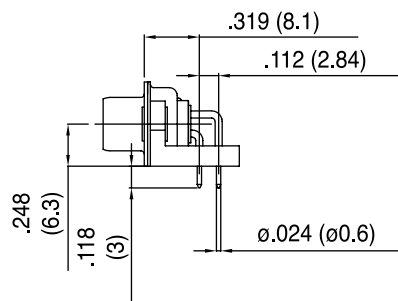


A4

Plastic bracket

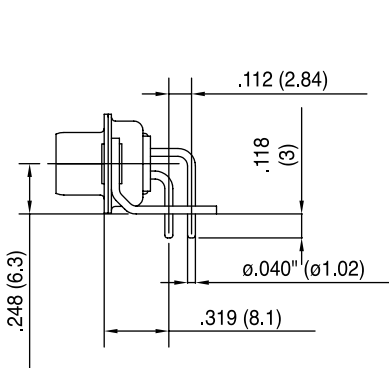


AJ3

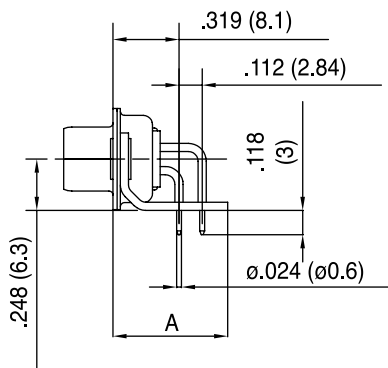


AJ4

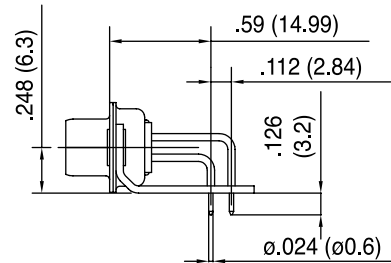
Metal bracket



A

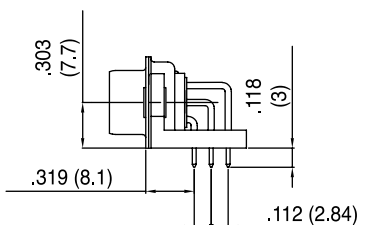


AM4 : A=.519 (13.2)
AZ4 : A=.453 (11.5)

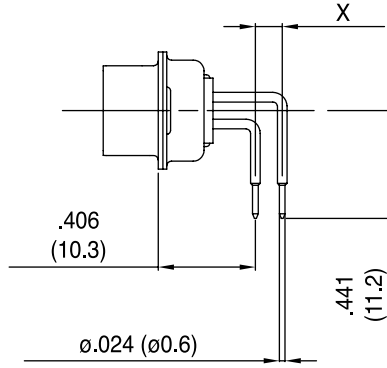


AM4B

50 contacts

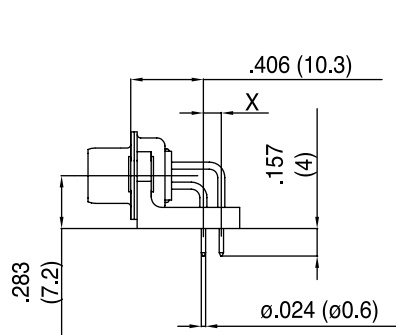


Without bracket

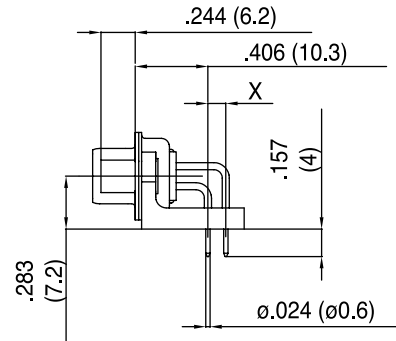


1AON : X= .100 (2.54)
1BON : X= .112 (2.84)

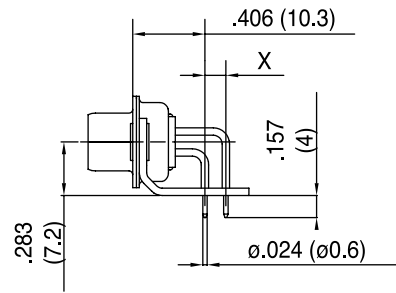
Plastic bracket



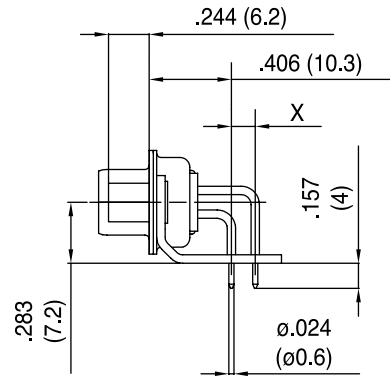
1APN : X= .100 (2.54)
1BPN : X= .112 (2.84)



1AUN : X= .100 (2.54)
1BUN : X= .112 (2.84)

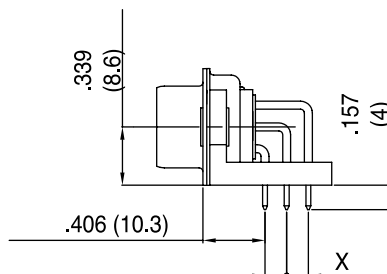


1AMN : X= .100 (2.54)
1BMN : X= .112 (2.84)



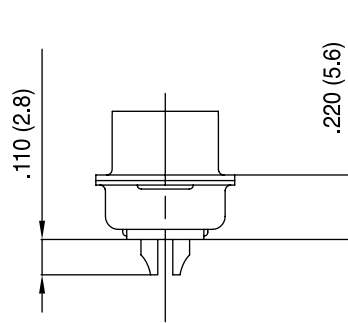
1ATN : X= .100 (2.54)
1BTN : X= .112 (2.84)

50 contacts

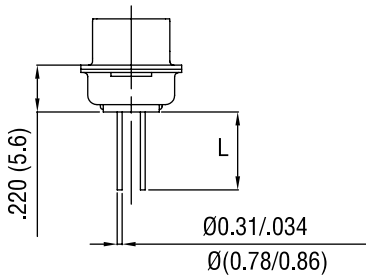


INCHES (MM)

Solder cup

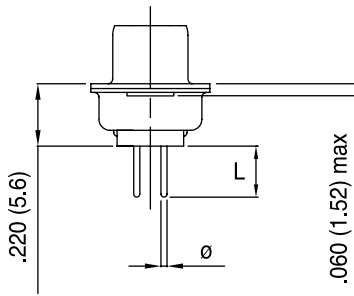


Wire Wrap



Termination	Nb of wraps	L
F179	2	.378 (9.6)
F179A	3	.512 (13)

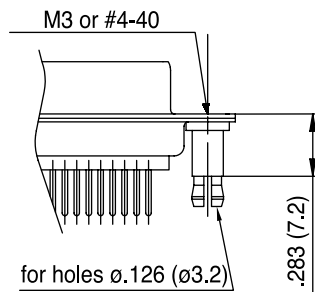
Straight PCB



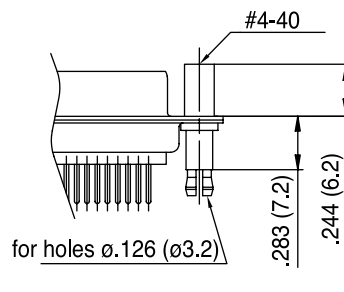
Termination	Ø	L
U	.024 (0.6)	.126 (3.2)
V	.040 (1.02)	.095 (2.4)
T	.024 (0.6)	.157 (4)
OL2	.02 (0.6)	.217 (5.5)

Grounding tabs

For straight termination



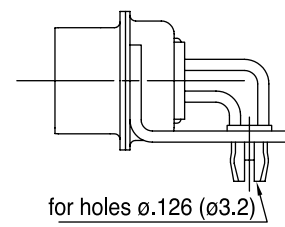
RM5



RM8

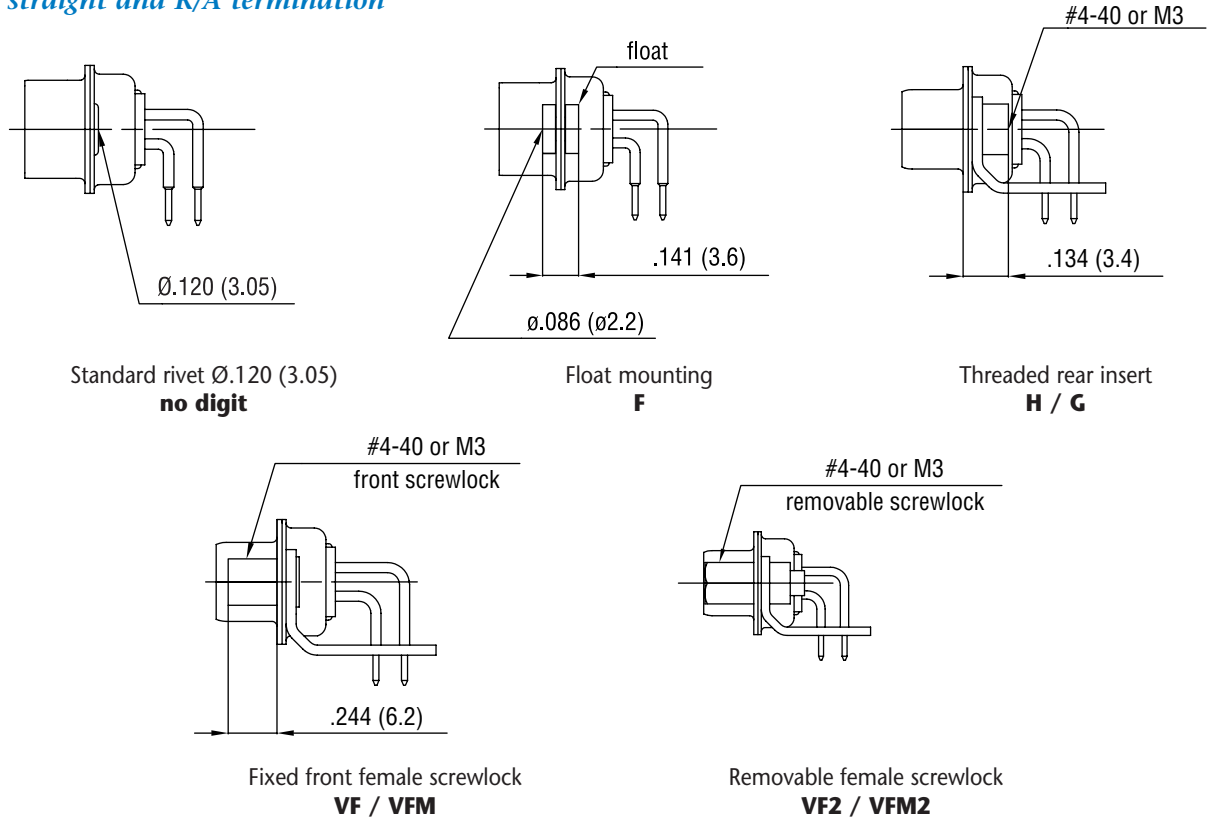
For R/A termination

FOR PCB .062 (1.6)

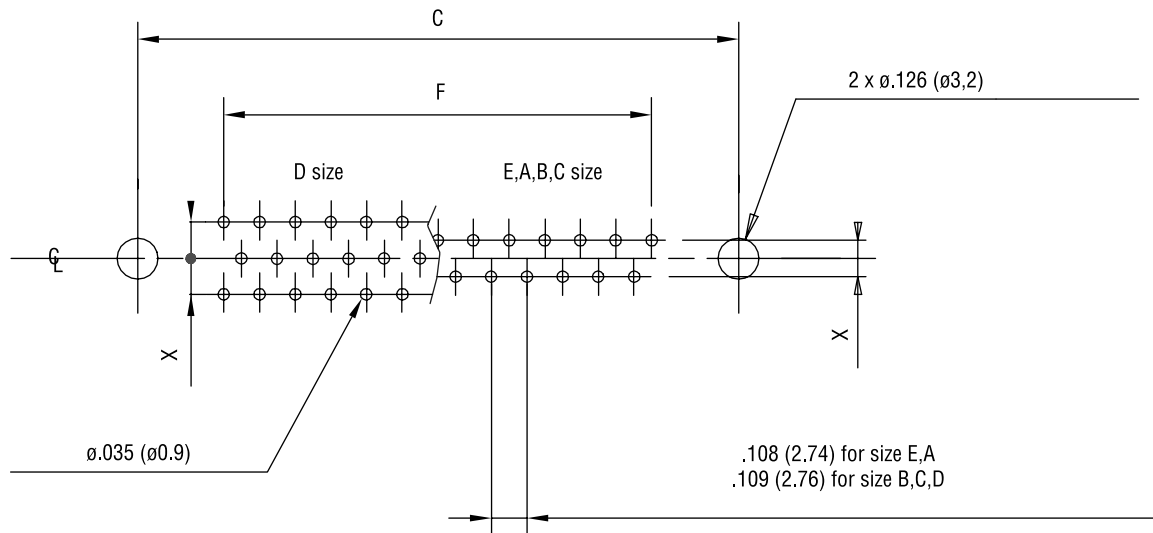


RM6

For straight and R/A termination



RECOMMENDED PCB LAYOUT



For straight PCB: X = .112 (2.84)
 For right angle PCB: MIL: X = .112 (2.84)
 European: X = .100 (2.54), .112 (2.84) in option

	size E	size A	size B	size C	size D
C $\pm .004$ (0.1)	.984 (25)	1.311 (33.3)	1.85 (47)	2.5 (63.5)	2.406 (61.1)
F $\pm .002$ (0.05)	.431 (10.96)	.755 (19.18)	1.304 (33.12)	1.956 (49.68)	1.74 (44.2)

INCHES (MM)

ORDERING INFORMATION

XXXXX X X XX X XXXXX XXXX X

8μ" (0.2μm)	17D: yellow chromated shell 77D: tinned shell for receptacle 717D: tinned shell + dimples for plug
20μ" (0.5μm)	17DF: yellow chromated shell 77DF: tinned shell for receptacle 717DF: tinned shell + dimples for plug
30μ" (0.76μm)	117DF: yellow chromated shell 177DF: tinned shell for receptacle 777DF: tinned shell + dimples for plug

Shell size: E, A, B, C, D

Mounting Options:

- H rear insert 4-40
- G rear insert M3
- F float mounting
- no digit standard rivet .122 (ø 3.1)
- *H, G must also be used to specify the threading of RM5 grounding tabs.

Configuration: 09, 15, 25, 37, 50

Contact type:

- P pin
- S socket

For specific product

Grounding tabs:

- RM5 for straight PCB mounting*
- RM8 for straight PCB mounting + female lock
- RM6 for right angle PCB mounting
- VF front screwlock 4-40
- VFM front screwlock M3
- VF2 removable screwlock 4-40
- VF2M removable screwlock M3

Termination:

solder cup: no digit

Wire Wrap:

- F179 length .378 (9.6)
- F179A length .512 (13)

Straight PCB:

- U length .126 (3.2) tail ø.024 (ø0.6)
- V length .094 (2.4) tail ø.040 (ø1.02)
- T length .157 (4) tail ø.024 (ø0.6)
- OL2 length .216 (5.5) tail ø.024 (ø0.6)

Right Angle Connector:

MIL footprint

- without bracket: C tail ø.040 (ø1.02)
- A4 tail ø.024 (ø0.6)
- plastic bracket: AJ3 tail ø.040 (ø1.02)
- AJ4 tail ø.024 (ø0.6)
- metal bracket: A tail ø.040 (ø1.02)
- AM4 A ø.519 (13.2)
- AZ4 A ø.453 (11.5)
- AM4B footprint ø.590 (14.99)

European footprint

- without bracket: 1AON X .100 (2.54)
- 1BON X .112 (2.84)
- plastic bracket: 1APN X .100 (2.54)
- 1BPN X .112 (2.84)
- 1AUN X .100 (2.54)
- 1BUN X .112 (2.84)
- metal bracket: 1AMN X .100 (2.54)
- 1BMN X .112 (2.84)
- 1ATN X .100 (2.54)
- 1BTN X .112 (2.84)

■ : Standard options

For special request, please consult factory

For Filtered D-Sub, see page 56.

Screw Termination

D-ST SERIES

SPECIFICATIONS:

MATERIALS AND PLATINGS

Shells	Steel Tin plated
Insulator	Glass filled thermoplastic, UL94V-0
Contacts	Machined brass, full gold

ELECTRICAL DATA

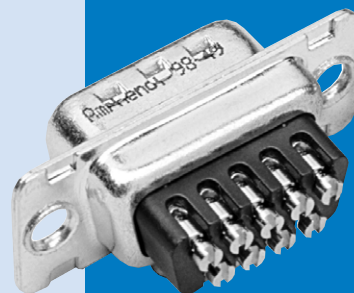
Current Rating	7,5 A max.
Voltage Rating	300 V RMS at 50 Hz
Withstanding Voltage	1000 V RMS at 50 Hz
Insulation Resistance	> 5000 Ω at 500 V DC
Contact Resistance	< 5 Ω

CLIMATIC DATA

Operating Temperature	-67°F (-55°C) to +185°F (85°C), peak at 257°F (125°C)
Damp Heat	21 days 219°F(104°C - 95% HR)
Salt Spray	48 hours

MECHANICAL DATA

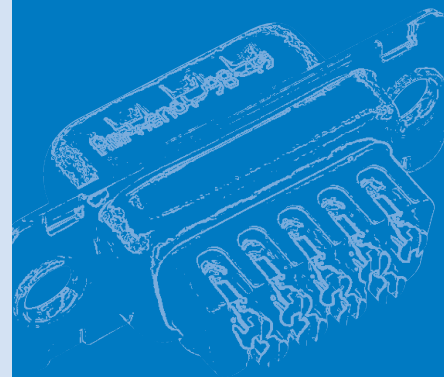
Cable Type	Solid or stranded
Cable Gauge	0,75 mm ² max. (AWG 18) - For bigger wire, please consult factory
Screw Torque	0,05 mN max.
Mating Cycles	100 (class II) or 500 (class I)



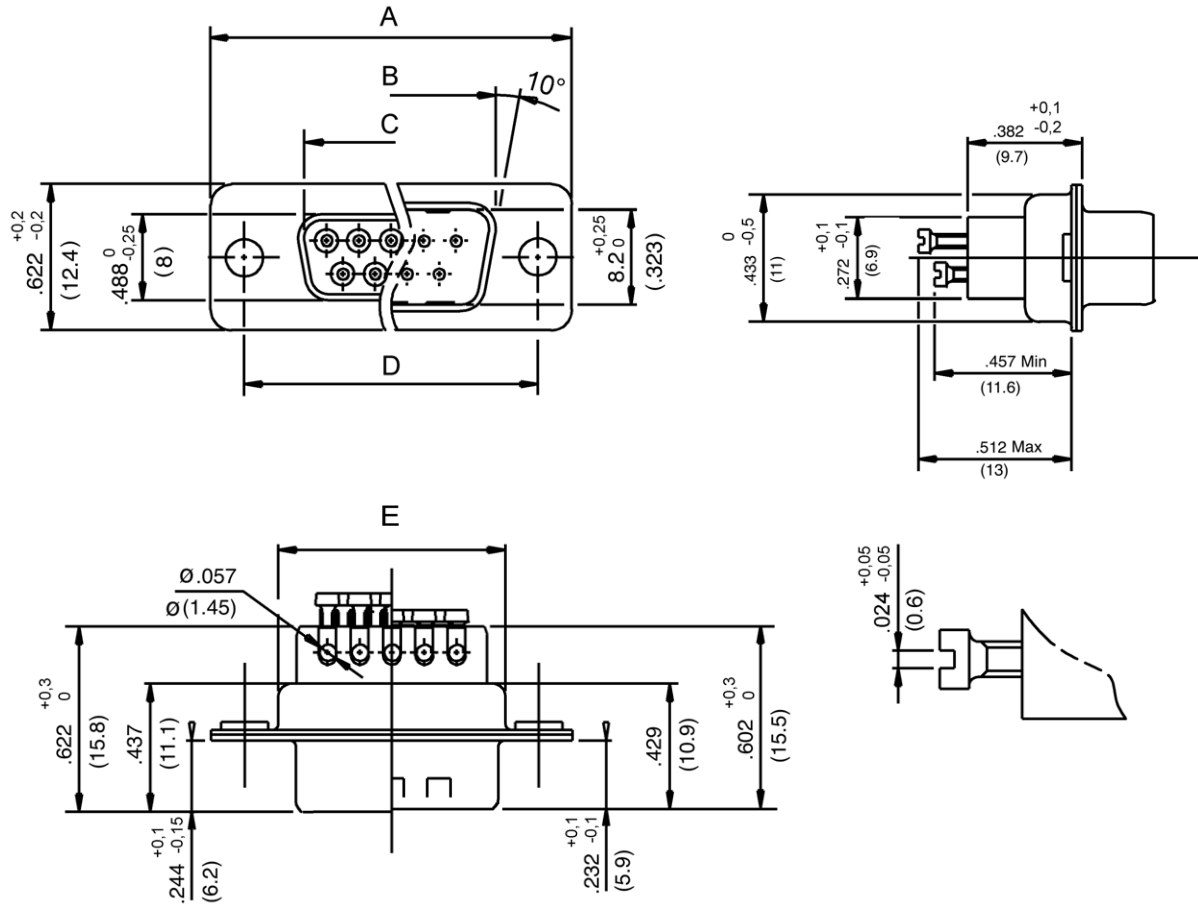
The Amphenol Screw Termination D-Sub series is especially designed for field applications.

These new connectors permit easy wiring without any specific tool; only a standard electrician's screwdriver is required. Due to their reduced overall dimensions, these connectors are compatible with all standard hoods and accessories.

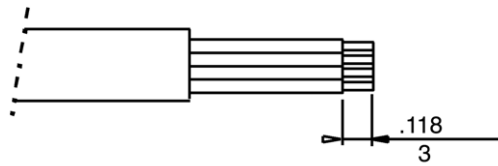
- Industry - control of speed variators and calculators.
- Houses and public buildings - control of heating, air conditioning, lighting, shutters and fire safety.
- Infrastructures - fluids control, motorway tolls and street lighting.



INCHES (MM)



Cable stripping



SIZE	A	B	C	D	E
	+0.10 (0.25) -0.10 (0.25)	0 -0.008 (0.2)	+0.008 (0.2) 0	+0.004 (0.1) -0.004 (0.1)	+0.004 (0.1) -0.016 (0.4)
9	1.209 (30.7)	.646 (16.4)	.661 (16.8)	.984 (25)	.370 (19.4)
15	1.535 (39)	.976 (24.8)	.988 (25.1)	1.311 (33.3)	1.091 (27.7)
25	2.083 (52.9)	1.516 (38.5)	1.528 (38.8)	1.850 (47)	1.630 (41.4)
37	2.724 (69.2)	2.161 (54.9)	2.177 (55.3)	2.500 (63.5)	2.280 (57.9)

ORDERING INFORMATION

717D - E09 - P - ST - 1

Class II: 77D Female connector
717D Male connector, shells with dimples

Class I: 177D Female connector
777D Male connector, shells with dimples

Size and number of contacts E09, A15, B25, C37

Type of contact: P Male
S Female

Kit connector + hood option: (See following description)
1 DPPK hood
2 DSSK hood
3 DTZK hood
4 DVZK hood

Contact termination: ST Screw termination

PLASTIC HOODS



DPPK Straight cable entry

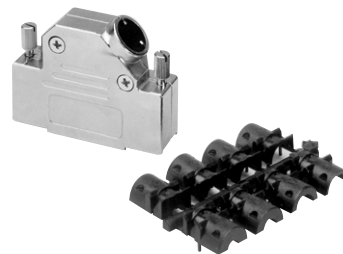


DSSK Angled cable entry

METALLIC HOODS



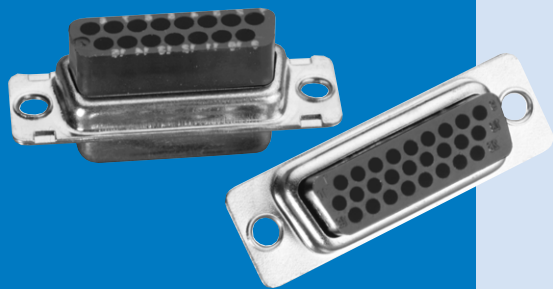
DTZK Straight cable entry



DVZK Angled cable entry

INCHES (MM)

RR-HR SERIES



Designed for high volume production, Amphenol's rear release crimp connector and contacts provide significant cost savings.

- EMI / RFI shell configuration.
- Removable, reusable contacts.
- Automatic and manual tooling available.

- Industrial
- Telecom
- Any industry standard I / O connections

Stamped And Formed Contacts Rear Release Crimp Connectors

- Standards:
- RR: UL File : E64911
 - HR: UL File : E149426
 - Connectors according to MIL C24308

SPECIFICATIONS:

MATERIALS AND PLATINGS

Shells	Steel yellow chromated over zinc or tinned steel with or without dimples on plug connector
Insulator	Black glass-filled thermoplastic, UL 94V-0
Rear Insert	Brass, 118 μ " up to 197 μ " (3 μ m up to 5 μ m) tinned over nickel 78 μ " up to 118 μ " (2 μ m up to 3 μ m)
Screwlock	Brass, 236 μ " up to 394 μ " (6 μ m up to 10 μ m) tinned over nickel 78 μ " up to 118 μ " (2 μ m up to 3 μ m)

Contacts	Under plating	Crimp side
8 μ " (0.2 μ m) gold	78 μ " (2 μ m) nickel	gold flash or tin
20 μ " (0.5 μ m) gold	78 μ " (2 μ m) nickel	gold flash or tin
30 μ " (0.76 μ m) gold	78 μ " (2 μ m) nickel	gold flash or tin

ELECTRICAL DATA

Current Rating	5A
Voltage Rating	500V AC/rms 50Hz
Withstanding Voltage	RR: 1000V AC/rms 50Hz for 1 minute HR: 1000V AC/rms 60Hz for 1 minute
Insulation Resistance	RR: 5000M Ω HR: 1000M Ω
Contact Resistance	10m Ω max.
Wire Size	20-28 AWG max. insulation out .05 (Ø1.27)

CLIMATIC DATA

Operating Temperature	67°F to 221°F (-55°C to +105°C)
-----------------------	---------------------------------

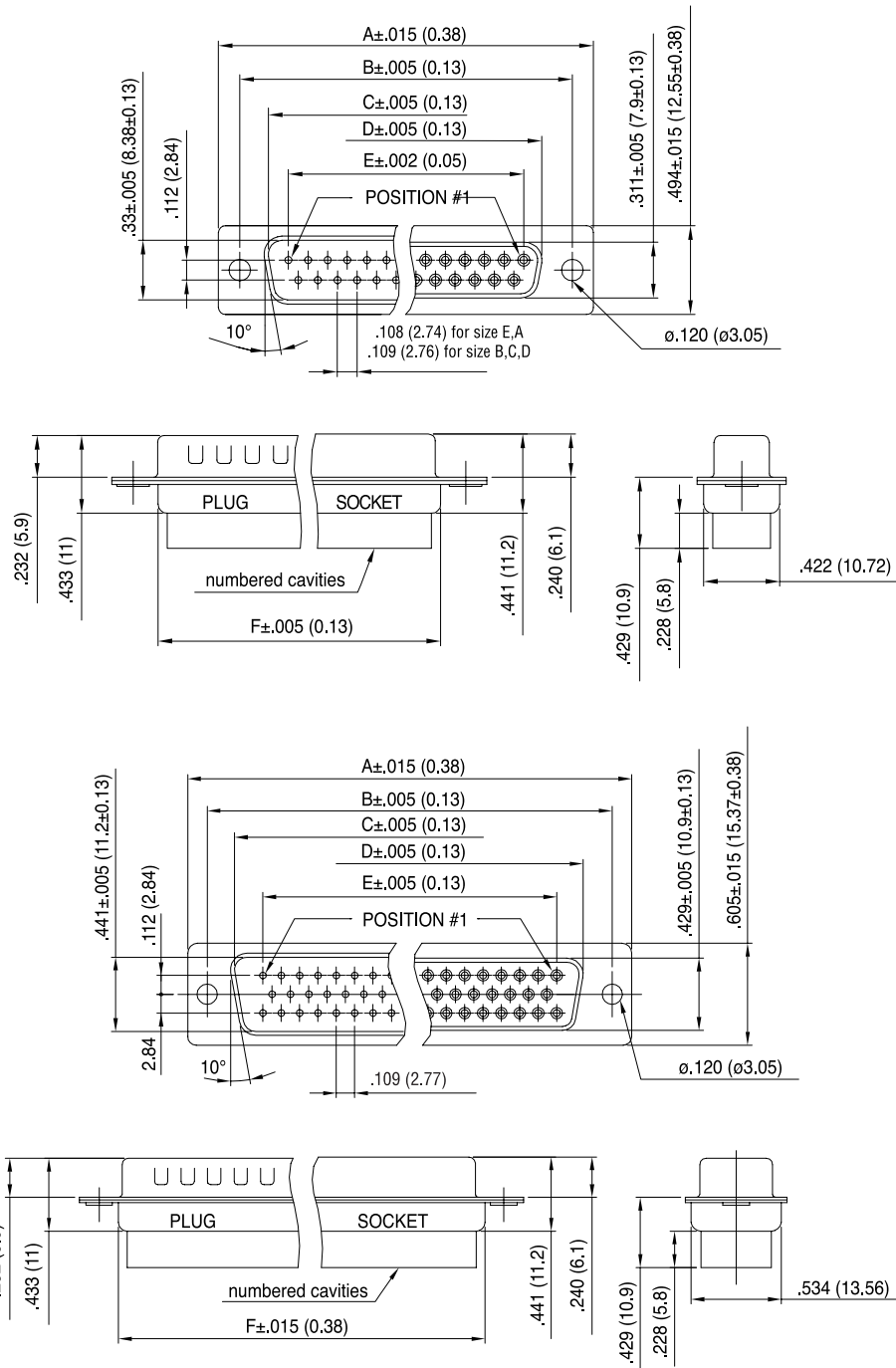
MECHANICAL DATA

Mating and Unmating Force

Unit: lb. (kg.)

No. of Contacts		Mate (max.)		Unmate (min.)	
RR	HR	RR	HR	RR	HR
9 (size E)	15 (size E)	6.74 (3.05)	8.42 (3.81)	0.79 (0.36)	1.14 (0.52)
15 (size A)	26 (size A)	11.24 (5.09)	13.16 (5.95)	1.01 (0.46)	2.32 (1.05)
25 (size B)	44 (size B)	18.66 (8.44)	20.46 (9.26)	1.8 (0.81)	3.02 (1.37)
37 (size C)	62 (size C)	27.65 (12.51)	29.78 (13.48)	2.47 (1.1)	3.88 (1.76)
50 (size D)	78 (size D)	32.38 (14.65)	34.96 (15.82)	3.56 (1.6)	4.46 (2.02)

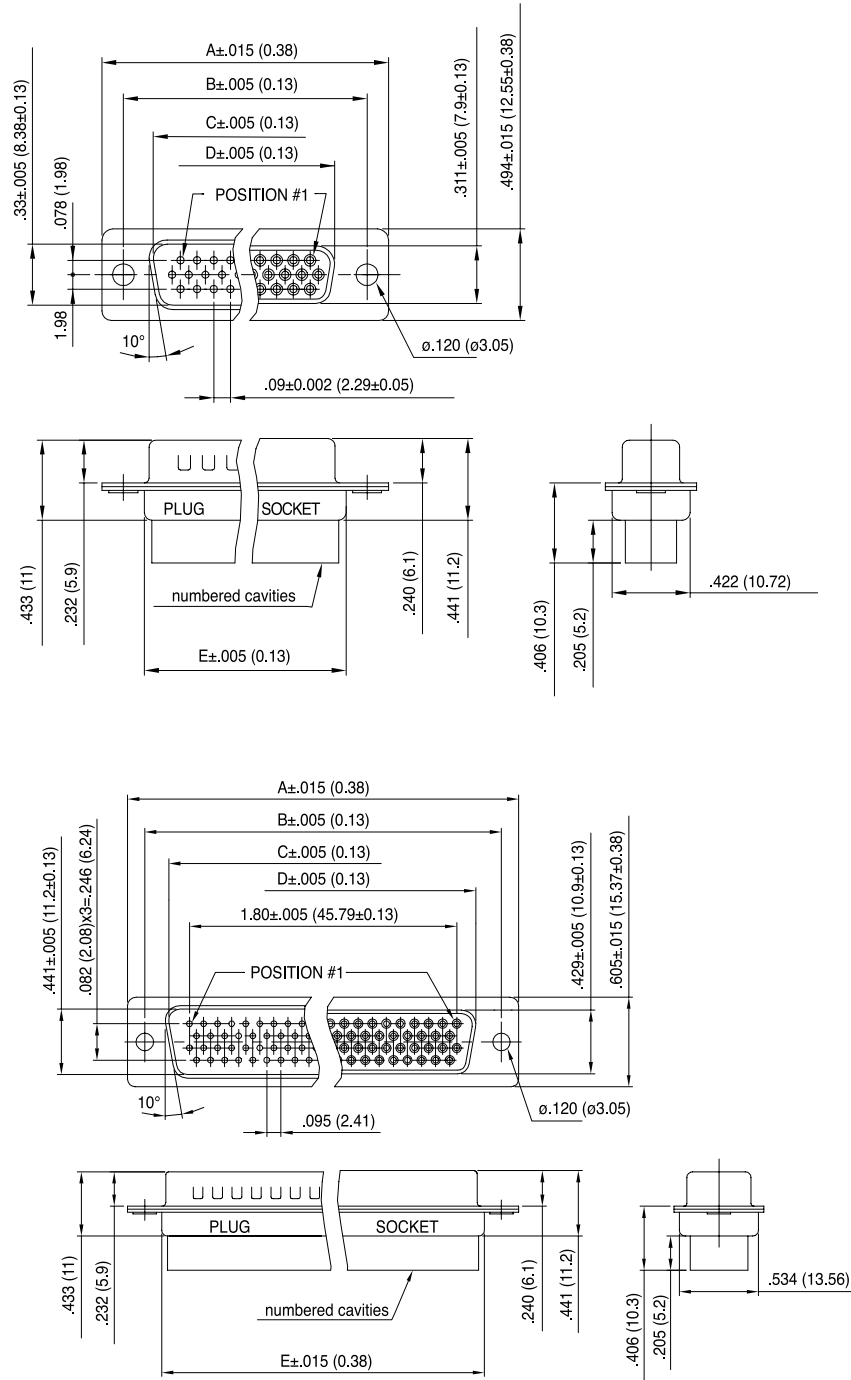
STANDARD DENSITY RR



No. of Contacts	Dimensions					
	A	B	C	D	E	F
9	1.21 (30.84)	.98 (24.99)	.67 (16.92)	.64 (16.24)	.44 (11.09)	.76 (19.28)
15	1.54 (39.24)	1.31 (33.32)	.972 (24.7)	.97 (24.56)	.76 (19.39)	1.08 (27.51)
25	2.09 (53.04)	1.85 (47.04)	1.53 (38.96)	1.51 (38.38)	1.31 (33.24)	1.63 (41.30)
37	2.73 (69.32)	2.50 (63.50)	2.18 (55.3)	2.16 (54.76)	1.96 (49.86)	2.27 (57.71)
50	2.64 (67)	2.41 (61.11)	2.08 (52.86)	2.06 (52.34)	1.75 (44.32)	2.18 (55.3)

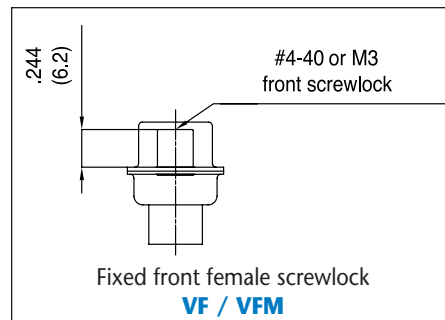
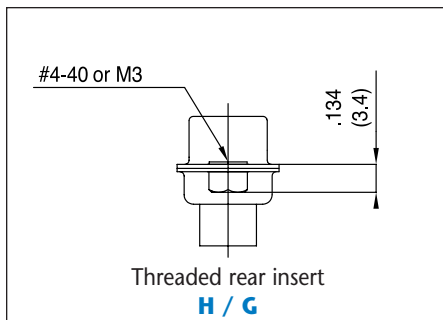
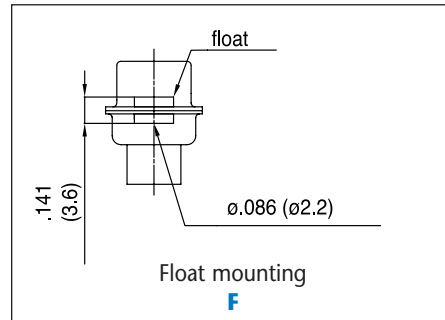
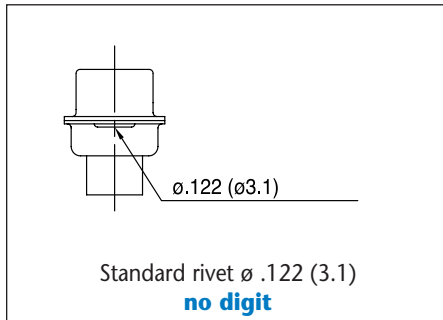
INCHES (MM)

HIGH DENSITY HR

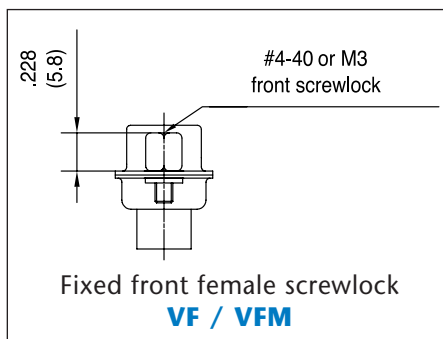
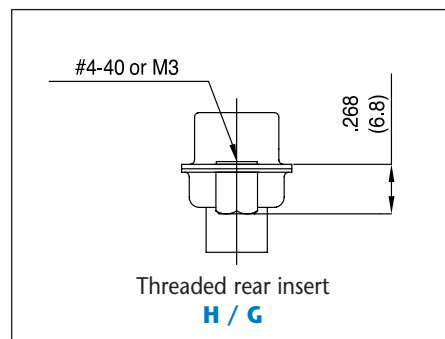
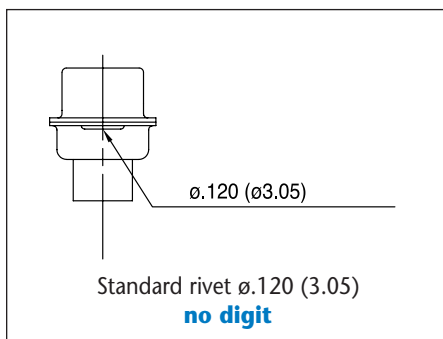


No. of Contacts	Dimensions				
	A	B	C	D	E
15	1.21 (30.84)	.98 (24.99)	.67 (16.92)	.64 (16.24)	.76 (19.28)
26	1.54 (39.24)	1.31 (33.32)	.972 (24.7)	.97 (24.56)	1.08 (27.51)
44	2.09 (53.04)	1.85 (47.04)	1.53 (38.96)	1.51 (38.38)	1.63 (41.30)
62	2.73 (69.32)	2.50 (63.50)	2.18 (55.42)	2.16 (54.76)	2.27 (57.71)
44	2.64 (67)	2.41 (61.11)	2.08 (52.86)	2.06 (52.34)	2.18 (55.3)

PANEL MOUNTING OPTION



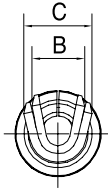
HIGH DENSITY



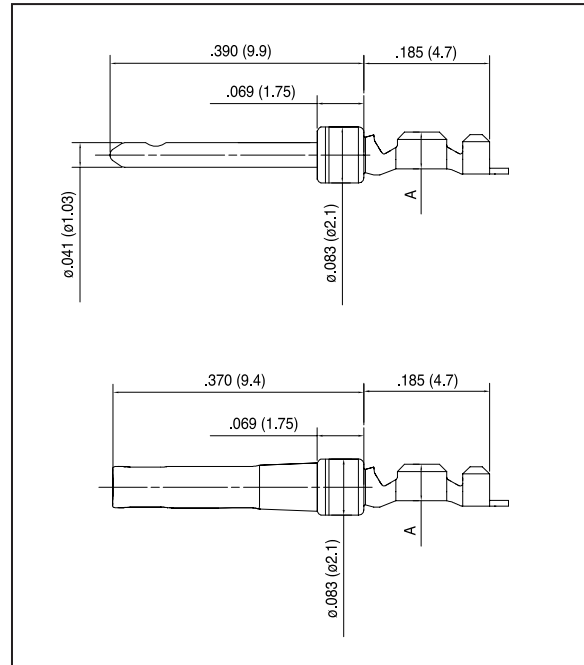
INCHES (MM)

CONTACTS

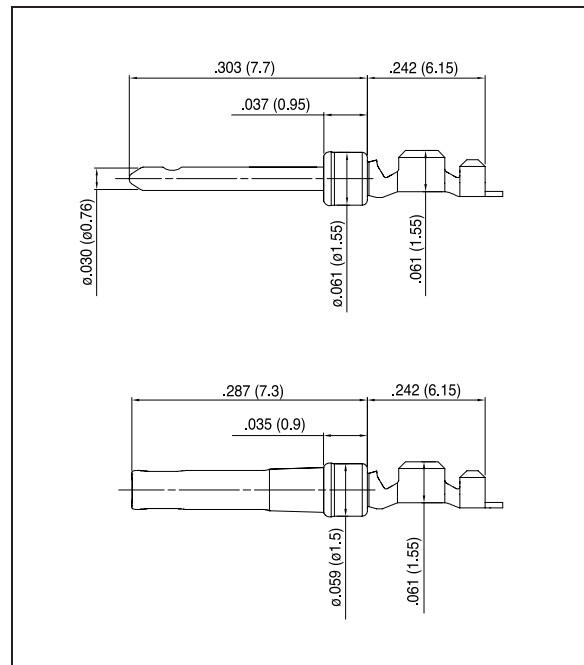
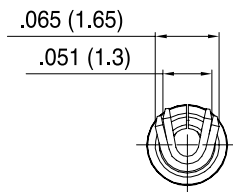
Standard density



AWG	A	B	C
20-24	.071 (1.8)	.075 (1.9)	.098 (2.5)
24-28	.055 (1.4)	.059 (1.5)	.066 (1.7)



High density



ORDERING INFORMATION - RR (STANDARD DENSITY)

Housings

XXX - RR - X - X - XX - X - XXX

117: yellow chromated shell
177: tinned shell for receptacle
777: tinned shell + dimples for plug

Shell Size: E, A, B, C, D

Rear Mounting Type :

- H** rear insert 4-40
- G** rear insert M3
- no digit** standard rivet ø.120 (3.05)
- F** float mounting

Front Mounting Type :

- VF** front screwlock 4-40
- VFM** front screwlock M3

Contact Type:

- P** pin
- S** socket

Configuration:

- 09, 15, 25, 37, 50

Contacts

17 - RR - XX - X - XX - XXX

Wire Size:

- D1:** 20 to 24 AWG
- D2:** 24 to 28 AWG

Contact Type:

- M** male
- F** female

Full Gold Plating:

- 01** 8µ*(0.2µm)
- 02** 20µ*(0.5µm)
- 04** 30µ*(0.76µm)

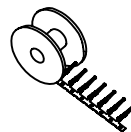
Selective Gold Plating:

- 11** 8µ*(0.2µm) Au
+ 78µ*(2µm) SnPb
- 12** 20µ*(0.5µm) Au
+ 78µ*(2µm) SnPb
- 14** 30µ*(0.76µm) Au
+ 78µ*(2µm) SnPb

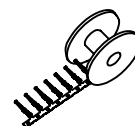
Packaging :

- 100** bulkpack unit (100 cts)
- 400** reel of 400 cts
- 2K** reel of 2000 cts
- 10K** reel of 10000 cts (right feed reel)
- 10G** reel of 10000 cts (left feed reel)

REEL WINDING DIRECTION



Left to right feed reel: **G**



Right to left feed reel: **K**

For special request, please consult factory

INCHES (MM)

ORDERING INFORMATION - HR (HIGH DENSITY)

Housings

XXX - HR - X - X - XX - X - XXX

117: yellow chromated shell
177: tinned shell for receptacle
777: tinned shell + dimples for plug

Shell Size: E, A, B, C, D

Rear Mounting type :
H rear insert 4-40
G rear insert M3
no digit standard rivet ø.120 (3.05)

Front Mounting Type :
VF front screwlock 4-40
VFM front screwlock M3

Contact Type:
P pin
S socket

Configuration:
 15, 26, 44, 62, 78

Contacts

17 - HR - D2 - X - XX - XXX

Wire Size:
24 to 28 AWG


Contact Type:
M male
F female

Full Gold Plating:
01 8µ* (0.2µm)
02 20µ* (0.5µm)
04 30µ* (0.76µm)

Selective Gold Plating:
11 8µ* (0.2µm) Au + 78µ* (2µm) SnPb
12 20µ* (0.5µm) Au + 78µ* (2µm) SnPb
14 30µ* (0.76µm) Au + 78µ* (2µm) SnPb

Packaging :
5K reel of 5000 cts (right feed reel)
5G reel of 5000 cts (left feed reel)
10K reel of 10000 cts (right feed reel)
10G reel of 10000 cts (left feed reel)

REEL WINDING DIRECTION



Left to right feed reel: **G** Right to left feed reel: **K**

For special request, please consult factory

TOOLING FOR CRIMP CONTACTS

For standard density crimp contacts: 17RR series

- | | |
|---|-------------|
| • Contact insertion and removal tool | 17D 438 SP |
| • Hand crimp tool for single contacts AWG 20 to 28 | 17D 440 SP |
| • Hand crimp tool for reels of 400 contacts | FA 0000 762 |
| crimp dies: AWG 20 to 24 | FA 0000 104 |
| crimp dies: AWG 24 to 28 | FA 0000 102 |
| • Stripping box | FE 0400 |
| • Automatic crimp machine for reels of 2000 to 10000 contacts | 970 MC |
| crimp dies: AWG 20 to 24 | 968 MC |
| crimp dies: AWG 24 to 28 | 972 MC |

For high density crimp contacts: 17HR series

- | | |
|---|--------|
| • Automatic crimp machine for reels of 2000 to 10000 contacts | 970 MC |
| crimp dies: AWG 24 to 28 | 973 MC |



For Sea, Air or Land, these connectors are SEALED! Amphenol's SD308 Sealed D-Subminiature Connectors are available in the full range of standard density and hi-density insert arrangements, pin and socket contacts. These connectors are supplied with fixed screw machine contacts and are available in Solder Cup, Straight PCB, and Right Angle PCB terminations.

- Ruggedized Computers and Peripheral Equipment
- Industrial Controllers
- 21st Century Soldier
- Ideal For Retrofit Applications Or Late Design-In

SPECIFICATIONS:

PRODUCT FEATURES

- One piece machined Aluminum Shell
- Gold Plated Screw Machine Contacts
- Hi Grade Thermoplastic Inserts -67°F to +257°F (-55°C to +125°C)
- Integrated Blind Panel Mounts
- Supplied with Conductive Panel Seal Gasket

MATERIALS AND PLATINGS

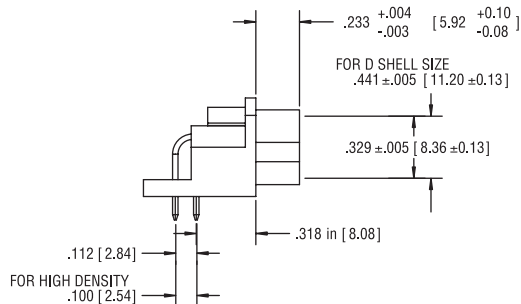
Shells	Machined aluminum alloy, tin plated
Inserts	High temperature resistant polyethersulfone per mil-p-46185
Contacts	Copper alloy, 20µ" (0.51µm) gold plated over nickel.
Seal	Silicone elastomer with nickel plated graphite flake

ELECTRICAL DATA

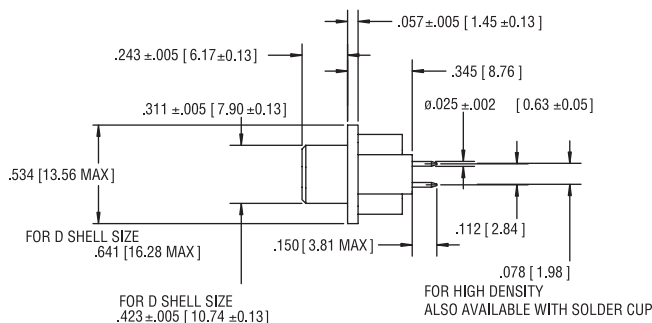
Current Rating	5A
Insulation Resistance	5 GIGOHM @ 500 VDC
Working Voltage	120 VAC
D.W.V.	1,000 VAC pin to pin & pin to shell

CLIMATIC DATA

Operating Temperature	-67°F to +257°F (-55°C to +125°C)
------------------------------	-----------------------------------



PLUG - SIDE VIEW



RECEPTACLE - SIDE VIEW

SD308 - E09 - S - A - 1 - 000

Series Designation

Shell Size & Number Of Contacts

STD Density E09, A15, B25, C37, D50
HIGH Density E15, A26, B44, C62, D78, 6106

Contact Type

S=Socket Contact P= Pin Contact

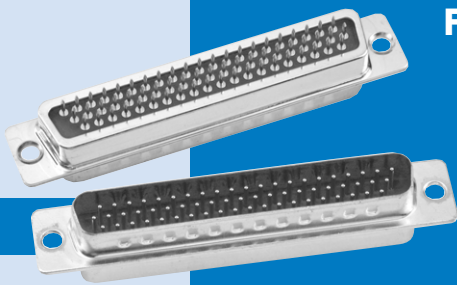
000 = Standard part
other deviations as required

Mounting Type

1 = 4-40 Blind Nut
2 = 4-40 Blind Nut with R/A Mounting Bracket

Termination Style

A = Right Angle pcb B = Vertical pcb
C = Solder Cup



SPECIFICATIONS:

DESCRIPTION

- Hi reliability filtering in multi row arrangements
- Stamped and Formed shells
- Screw Machine Contacts and Hi Reliability inserts
- Available in all Hi-Density insert patterns

MATERIALS AND PLATINGS

Shells	Stamped steel shell, tin plated
Inserts	High temperature resistant polyethersulfone per MIL-P-46185
Contacts	Machined copper alloy, 20µ" (0.51µm) gold plated over nickel
Capacitor	Barium titanate ceramic array

ELECTRICAL DATA

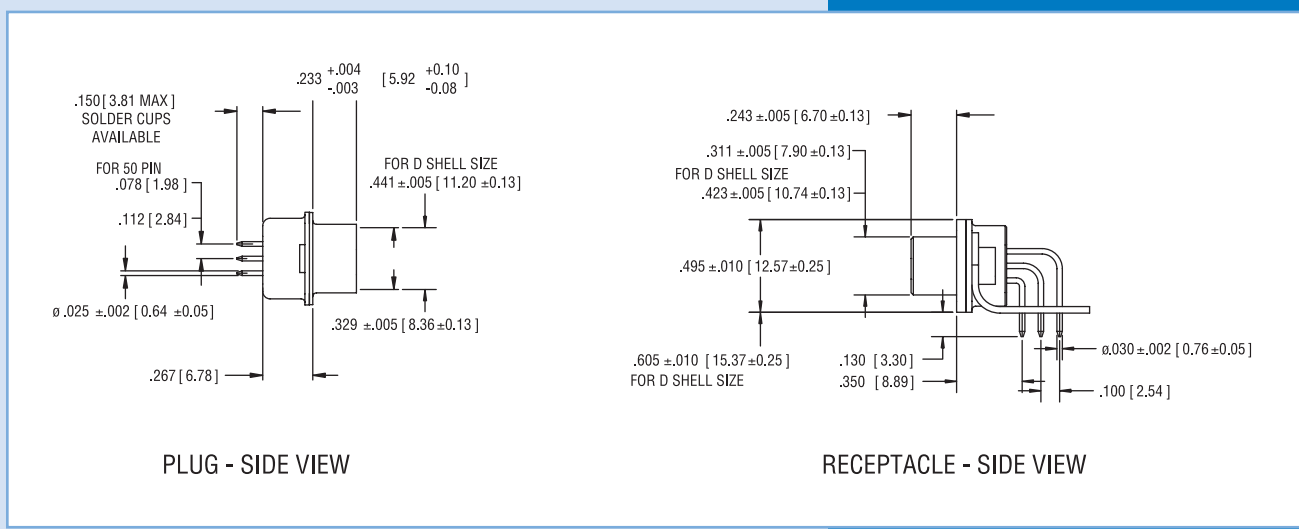
Current Rating	5 A
Insulation Resistance	5 GIGOHM @ 500 VDC
Working Voltage	200 VDC
D.W.V.	500 VDC pin to pin & pin to shell
Capacitance	+/- 20% (see P/N description)

CLIMATIC DATA

Operating Temperature	-67°F to +257°F (-55°C to +125°C)
------------------------------	-----------------------------------

For 50 position and all high density versions. Amphenol's FD308 Filtered D-Subminiature connectors are available in the full range of hi-density insert arrangements, pin and socket contacts, plus the 50 position standard density. These connectors are supplied with fixed screw machine contacts and are available in Straight and Right Angle PCB terminations and Solder Cup.

- Computers and Peripheral Equipment
- Avionics Systems Ideal For Retrofit Applications Or Late Design-In



FD308 - B44 - S - A - 1 - A2 - 000

Series Designation	FD308	000 = Standard part other deviations as required
Size & Number Of Contacts	B44	Capacitance Code
STD Density E09, A15, B25, C37, D50		A2 = 200 PF 02 = 2000 PF
High Density E15, A26, B44, C62, D78, 6104		A4 = 400 PF 05 = 5000 PF
Contact Type	S	01 = 1000 PF
S = Socket Contact P = Pin Contact		Mounting Type
Termination Style	A	1 = 4-40 Clinch Nut
A = Right Angle pcb		2 = Ø.120 (3.05) Hole
B = Vertical pcb		3 = R/A Mounting Bracket
C = Solder Cup		4 = 4-40 Clinch Nut with R/A Mounting Bracket

ORDERING INFORMATION - IDC

FCC17 - E09 - S - W - 4 - 8 - 0 - G

Series Designation

Size and Configuration

15 & 25 Size Consult Factory.

Connector Type

S: Socket P: Pin Consult Factory.

Termination Type

W: IDC *

Mounting

2: .120 (3.05) Diameter Through Hole
4: 4-40 Threaded Inserts
6: M3 Threaded Inserts

Special

G: 50 Micro Inches Gold

Modifier

0: Standard Product
x: Special or Custom Versions

Capacitance Value

D: 50 pF	5: 1,000 pF
0: 180 pF	E: 2,200 pF
F: 330 pF	9: 5,600 pF
1: 470 pF	8: 47,000 pF
4: 820 pF	

Other Capacitance values available.
Consult Factory.

ORDERING INFORMATION - FILTERED PRESS FIT

FCC17 - B25 - S - R - 4 - 8 - 0 - G

Series Designation

Size and Configuration *

Connector Type

S: Socket P: Pin Consult Factory.

Termination Type

R: Press Fit

Mounting

2: .120 (3.05) Diameter Through Hole	5: 4-40 Threaded Standoff
3: 4-40 Self Locking Threaded Insert	6: M3 Threaded Inserts
4: 4-40 Threaded Inserts	E: Code 4 with 4-40 Hex Jack Socket

Special

G: 50 Micro Inches Gold

Modifier

0: Standard Product
x: Special or Custom Versions

Capacitance Value

D: 50 pF	5: 1,000 pF
0: 180 pF	E: 2,200 pF
F: 330 pF	9: 5,600 pF
1: 470 pF	8: 47,000 pF
4: 820 pF	

Other Capacitance values available.
Consult Factory.

ORDERING INFORMATION - STACKED D-SUB

FCC17 - 2 - BP - BS - 4 - 5 - 5 - X

Series Designation

Vertical Mounting Dimension Between Connectors

1 = .625 (15.88)
2 = .750 (19.05)

Upper Connector Configuration (Size and Style)

EP: 9 pin	BP: 25 pin
ES: 9 socket	BS: 25 socket
AP: 15 pin	CP: 37 pin
AS: 15 socket	CS: 37 socket

Lower Connector Configuration

(Size and Style) same as Upper Connector Configuration

Mounting

2: .120 (3.05) Diameter Through Hole on Flanges
4: 4-40 Threaded Inserts on Flanges
E: 4-40 Hex Jack Sockets (supplied loose)

Modifier

0: Standard Product
x: Special or Custom Versions

Lower Connector Filter Capacitance
same as Upper Connector Filter Capacitance Designation

Upper Connector Filter Capacitance

D: 50 pF	5: 1,000 pF
0: 180 pF	E: 2,200 pF
F: 330 pF	7: 1,200 pF
1: 470 pF	9: 5,600 pF
4: 820 pF	8: 47,000 pF

* For Additional Mounting Options and Filter Capacitance - Consult Factory

ORDERING INFORMATION - D-SUB

FCC17 - B25 - S - C - 4 - 4 - 0 - G

Series Designation

Size

E09, A15, B25, C37

Connector type

A - Adapter P - Pin S - Socket

Termination Type

A - Right Angle PC Tail, .318 (8.08) Footprint
 B - Right Angle PC Tail, .405 (10.29) Footprint
 C - Right Angle PC Tail, .590 (14.99) Footprint
 D - Pin/Socket Adapter
 E - Vertical Mount PC Tail
 M - Solder Cup
 N - Vertical Mount PC Tail - Long Body

Mounting options*

A: 4-40 Threaded PC Tail Standoffs with Boardlock, Vertical Mount Only
 E: 4-40 Hex Jack Sockets (supplied loose)
 F: 4-40 Round Fixed Jack Sockets
 2: .120 (3.05) diameter Through hole
 3: Self-Locking 4-40 Threaded Inserts
 4: 4-40 Threaded Inserts (Standard)
 5: 4-40 Threaded Stand-Offs, Vertical Mount
 6: M3 Threaded inserts

* For Additional Mounting Options and Filter Capacitance - Consult Factory

Specials

No Digit: Standard 15µ" (0.38µm) gold
 G: 50µ" (1.27µm) gold
 K: 30µ" (0.76µm) gold
 L: Standard Connector with added ferrite block

Modifier

0 = Standard Product (Boardlocks on Right Angle D-Subs)
 B = Metal Mounting Brackets, for Right Angle D-Subs
 D = .315 (8.00) to Boardlock for .590 (14.99) footprint
 E = Plastic Bracket - No Boardlock
 F = No Boardlock, No plastic or metal Bracket - Alignment Strip Only
 X = Specials or Custom Versions

Filter Capacitance (pF)*

D: 50 pF	5: 1,000 pF
B: 100 pF	7: 1,200 pF
0: 180 pF	E: 2,200 pF
F: 330 pF	9: 5,600 pF
1: 470 pF	8: 47,000 pF
4: 820 pF	

ORDERING INFORMATION - COMBO D-SUB

FCC17 - A - 3W3 - P - M - 4 - 5 - 0 - G

Series Designation

Shell Size

A, B, C, D, E

Arrangement

Connector type

A = Adapter, P = Pin, S = Socket

Termination type

D = Pin/Socket Adapter
 E = Power PC Tail - 40A - .126 (3.20) Dia., .175 (4.44) Lg.
 K = Power Solder Cup - 10A - Wire Size 16
 L = Power Solder Cup - 20A - Wire Size 12
 M = Power Solder Cup - 40A - Wire Size 8
 R = Power Press Fit - 20A - .145 (3.68) Lg. - .126 (3.20) Dia. Hole

Mounting Options

2 = .120 (3.05) dia. mounting holes
 3 = 4-40 Threads Self locking
 4 = 4-40 Threads
 5 = 4-40 Standoffs - PC tail only
 6 = M3 Threads
 E = 4-40 Hex Jack Sockets (supplied loose)

Plating Option

Blank = Standard 30µ" (0.76µm) gold
 G = 50µ" (1.27µm) gold

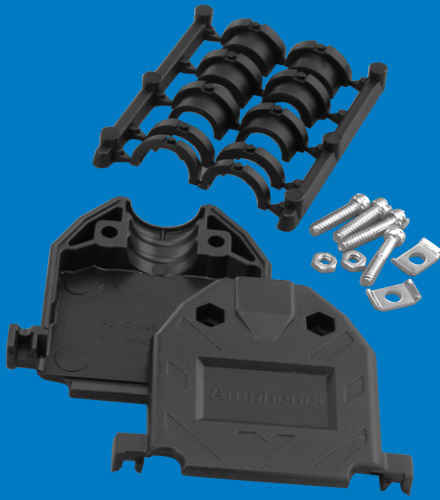
Modifier

0 = Standard
 X = Specials or Custom versions (Consult Factory)

Filter Capacitance (pF)

D: 50 pF	5: 1000 pF
B: 100 pF	7: 1200 pF
o: 180 pF	E: 2200 pF
f: 330 pF	9: 5600 pF
l: 470 pF	8: 47000 pF
4: 820 pF	

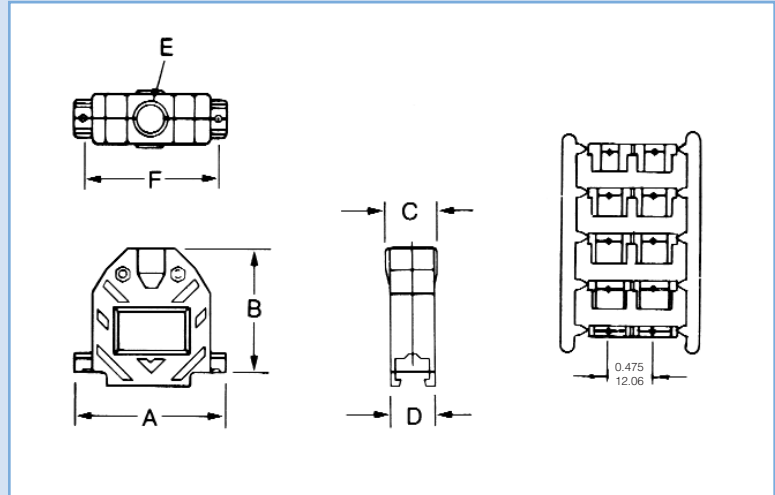
* For Additional Mounting Options and Filter Capacitance - Consult Factory



Amphenol's black plastic backshell accommodates most standard and high-density D-Subminiature connectors and is appropriate for most cable assemblies. This version is economical and highly durable. The split-grommet insert provides cable strain relief while making it easy to assemble.

SPECIFICATIONS:

Housing Material: Styrene (UL 94 VO)
Grommet Material: Polypropylene
Mounting Hardware: Steel, clear zinc finish *RoHS Compliant



DIMENSIONS AND ORDERING INFORMATION

Shell Size	Standard # of Contacts	Hi-Density # of Contacts	Part #	Dimensions						Cable Diameter Range	
				A	B	C	D	E	F	Minimum	Maximum
E	9	15	17E-1724-1	1.217 (30.91)	1.547 (39.29)	0.640 (16.26)	0.640 (16.26)	0.400 (10.16)	0.984 (24.99)	0.210 (5.33)	0.350 (8.89)
A	15	26	17E-1725-1	1.545 (39.24)	1.505 (38.23)	0.640 (16.26)	0.640 (16.26)	0.400 (10.16)	1.312 (33.32)	0.210 (5.33)	0.350 (8.89)
B	25	44	17E-1726-1	2.090 (53.08)	1.655 (42.04)	0.710 (18.03)	0.640 (16.26)	0.522 (13.26)	1.857 (47.17)	0.230 (5.84)	0.450 (11.43)
C	37	62	17E-1727-1	2.734 (69.44)	1.830 (46.48)	0.906 (23.01)	0.640 (16.26)	0.726 (18.44)	2.500 (63.50)	0.350 (8.89)	0.640 (16.26)
D	50	78	17E-1728-1	2.645 (67.18)	1.855 (47.12)	0.940 (23.88)	0.770 (19.56)	0.726 (18.44)	2.406 (61.11)	0.350 (8.89)	0.640 (16.26)

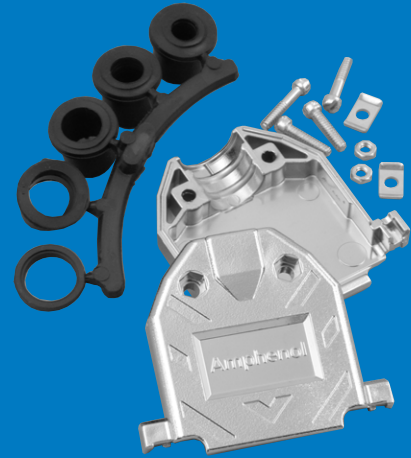
Plated Plastic Backshell

SPECIFICATIONS:

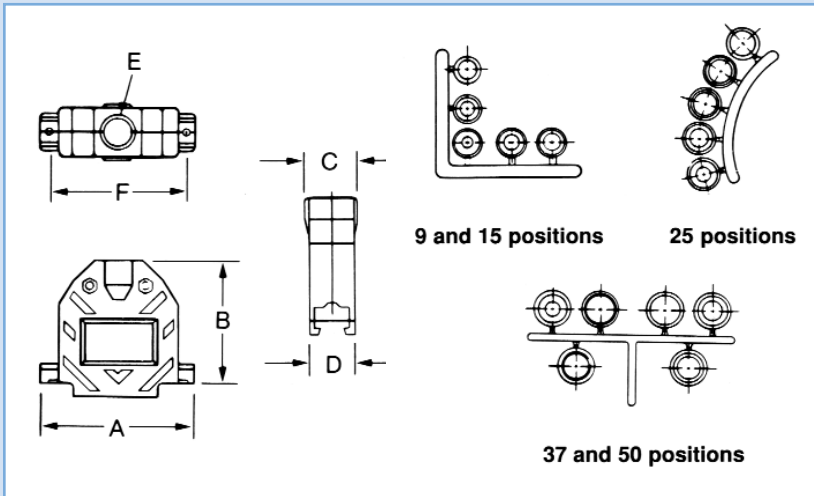
Housing Material:	ABS Polymer
Plating:	Nickel over copper
Grommet Material:	PVC (UL 94 VO)
Mounting Hardware:	Steel, clear zinc finish *RoHS Compliant

ASSEMBLY INSTRUCTIONS

1. Select the tightest insert that will fit over the cable and thread the cable through it, placing the end with the smaller O.D. (the end without the washer) towards the connector.
2. Cut the jacket, fold the shielding back over the outside of the insert and cut it just short of the washer.
3. Install jackscrews and connector.
4. Place the washer in the outermost depression in the exit area of the hood and screw the cover closed.



Amphenol's plated plastic backshell accommodates most standard and high-density D-Subminiature connectors and is appropriate for cable assemblies requiring compliance to FCC 20780. This version is highly durable and provides EMI/RFI protection. The rubber grommet compression insert forces the cable's shielding against the inside of the cable exit area, assuring shielding.

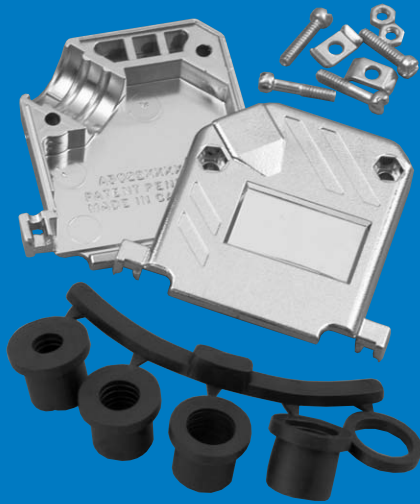


DIMENSIONS AND ORDERING INFORMATION

Shell Size	Standard # of Contacts	Hi-Density # of Contacts	Part #	Dimensions						Cable Diameter Range	
				A	B	C	D	E	F	Minimum	Maximum
E	9	15	17E-1724-2	1.217 (30.91)	1.547 (39.29)	0.640 (16.26)	0.640 (16.26)	0.400 (10.16)	0.984 (24.99)	0.210 (5.33)	0.320 (8.13)
A	15	26	17E-1725-2	1.545 (39.24)	1.505 (38.23)	0.640 (16.26)	0.640 (16.26)	0.400 (10.16)	1.312 (33.32)	0.210 (5.33)	0.320 (8.13)
B	25	44	17E-1726-2	2.000 (50.8)	1.655 (42.04)	0.710 (18.03)	0.640 (16.26)	0.522 (13.26)	1.857 (47.17)	0.230 (5.84)	0.450 (11.43)
C	37	62	17E-1727-2	2.730 (69.34)	1.830 (46.48)	0.906 (23.01)	0.640 (16.26)	0.726 (18.44)	2.500 (63.50)	0.350 (8.89)	0.650 (16.51)
D	50	78	17E-1728-2	2.645 (67.18)	1.855 (47.12)	0.940 (23.88)	0.440 (11.18)	0.726 (18.44)	2.406 (61.11)	0.350 (8.89)	0.650 (16.51)

INCHES (MM)

ACCESSORIES



Amphenol's plated plastic backshell accommodates most standard and high-density D-Subminiature connectors and is appropriate for cable assemblies requiring compliance to FCC 20780. This version is highly durable and provides EMI/RFI protection. The rubber grommet compression insert forces the cable's shielding against the inside of the cable exit area, assuring shielding. The 45° cable exit helps save space behind equipment.

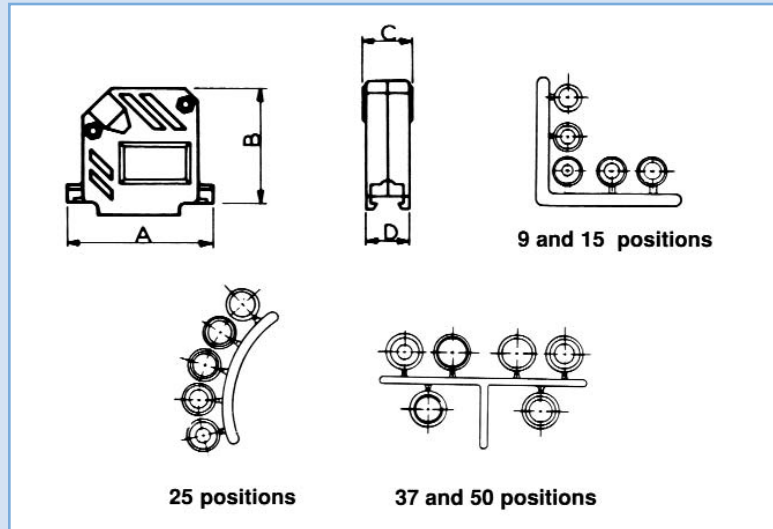
45° Plated Plastic Backshell

SPECIFICATIONS:

Housing Material:	ABS Polymer
Plating:	Nickel over copper
Grommet Material:	PVC (UL 94 VO)
Mounting Hardware:	Steel, clear zinc finish *RoHS Compliant

ASSEMBLY INSTRUCTIONS

1. Select the tightest insert that will fit over the cable and thread the cable through it, placing the end with the smaller O.D. (the end without the washer) towards the connector.
2. Cut the jacket, fold the shielding back over the outside of the insert and cut it just short of the washer.
3. Install jackscrews and connector.
4. Place the washer in the outermost depression in the exit area of the hood and screw the cover closed.



DIMENSIONS AND ORDERING INFORMATION

Shell Size	Standard # of Contacts	Hi-Density # of Contacts	Part #	Dimensions						Cable Diameter Range	
				A	B	C	D	E	F	Minimum	Maximum
E	9	15	17E-1824-2	1.217 (30.91)	1.430 (36.32)	0.640 (16.26)	0.640 (16.26)	0.400 (10.16)	0.984 (24.99)	0.210 (5.33)	0.320 (8.13)
A	15	26	17E-1825-2	1.545 (39.24)	1.568 (39.83)	0.640 (16.26)	0.640 (16.26)	0.400 (10.16)	1.312 (33.32)	0.210 (5.33)	0.320 (8.13)
B	25	44	17E-1826-2	2.090 (53.09)	1.735 (44.07)	0.710 (18.03)	0.640 (16.26)	0.522 (13.26)	1.857 (47.17)	0.230 (5.84)	0.450 (11.43)
C	37	62	17E-1827-2	2.734 (69.44)	1.976 (50.19)	0.906 (23.01)	0.640 (16.26)	0.726 (18.44)	2.500 (63.5)	0.350 (8.89)	0.650 (16.51)

Two-Piece Die Cast Shielded Backshells

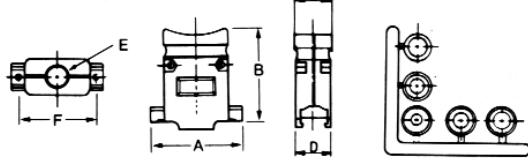
SPECIFICATIONS:

Housing Material: Die cast zinc
Grommet Material: PVC (UL 94 VO)
Mounting Hardware: Steel, clear zinc finish *RoHS Compliant

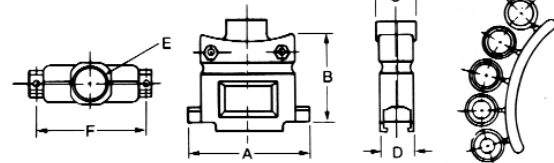
ASSEMBLY INSTRUCTIONS

1. Select the tightest insert that will fit over the cable and thread the cable through it, placing the end with the smaller O.D. (the end without the washer) towards the connector.
2. Cut the jacket, fold the shielding back over the outside of the insert and cut it just short of the washer.
3. Install jackscrews and connector.
4. Place the washer in the outermost depression in the exit area of the hood and screw the cover closed.

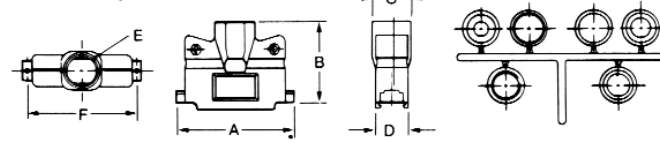
9 and 15 positions



25 positions



37 and 50 positions

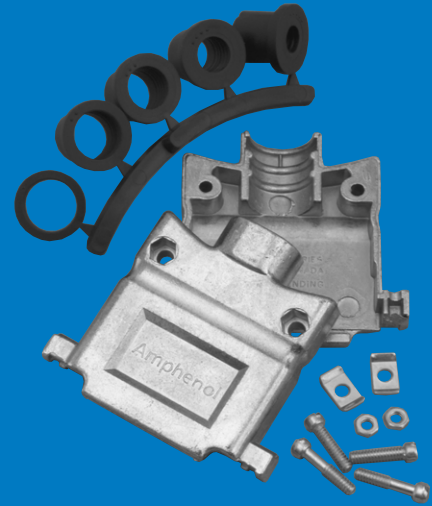


DIMENSIONS AND ORDERING INFORMATION

Shell Size	Standard # of Contacts	Hi-Density # of Contacts	Part #	Dimensions						Cable Diameter Range	
				A	B	C	D	E	F	Minimum	Maximum
E	9	15	17E-1657-09	1.217 (30.91)	1.430 (36.32)	0.640 (16.26)	0.640 (16.26)	0.400 (10.16)	0.984 (24.99)	0.210 (5.33)	0.320 (8.13)
A	15	26	17E-1657-15	1.545 (39.24)	1.568 (39.83)	0.640 (16.26)	0.640 (16.26)	0.400 (10.16)	1.312 (33.32)	0.210 (5.33)	0.320 (8.13)
B	25	44	17E-1657-25	2.090 (53.09)	1.735 (44.07)	0.710 (18.03)	0.640 (16.26)	0.522 (13.26)	1.857 (47.17)	0.230 (5.84)	0.450 (11.43)
C	37	62	17E-1657-37	2.734 (69.44)	1.976 (50.19)	0.906 (23.01)	0.640 (16.26)	0.726 (18.44)	2.500 (63.5)	0.350 (8.89)	0.640 (16.26)

INCHES (MM)

ACCESSORIES



Amphenol's metal backshell accommodates most standard and high-density D-Subminiature connectors and is appropriate for cable assemblies requiring compliance to FCC 20780. This version is highly durable and provides EMI/RFI protection. The rubber grommet compression insert forces the cable's shielding against the inside of the cable exit area, assuring shielding.