

FCC17 Series

COMBO D-SUB FILTER CONNECTORS

Specifications

Filter Characteristics: See Page 2
 Electrical Data: See Page 2
 Material and Finishes: See Page 3
 Environmental Data: See Page 3
 UL File # : E135615
 CSA File # : LR68598



These products are protected by U.S. Patent # 4500159

Ordering Information – Combo D-Sub



* For Additional Mounting Options and Filter Capacitance - Consult Factory

FCC17 Series

FILTERED STACKED D-SUB CONNECTORS

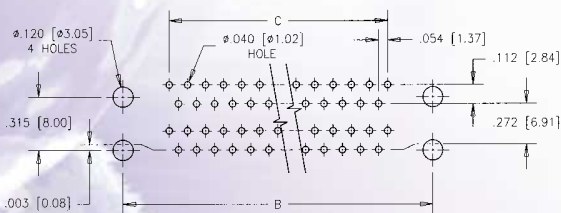
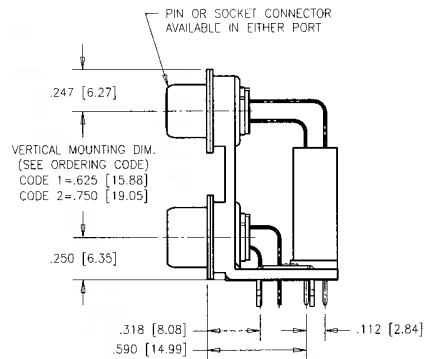
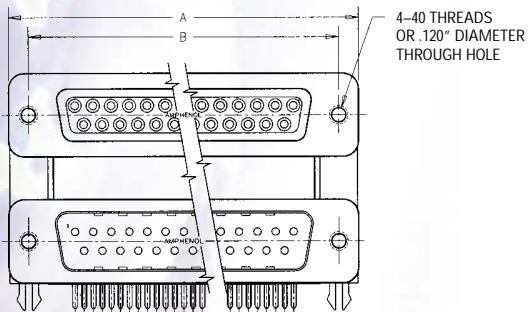
Ordering Information – Stacked D-Sub

FCC17 – 2 BP BS – 4 5 5 X

FCC17	SERIES DESIGNATION	
2	VERTICAL MOUNTING DIMENSION BETWEEN CONNECTORS 1 = .625" [15.88 mm] 2 = .750" [19.05 mm]	
BP	UPPER CONNECTOR CONFIGURATION (Size and Style) EP: 9 pin BP: 25 pin ES: 9 socket BS: 25 socket AP: 15 pin CP: 37 pin AS: 15 socket CS: 37 socket	
BS	LOWER CONNECTOR CONFIGURATION (Size and Style) same as Upper Connector Configuration	
4	MOUNTING 2: .120" [3.05 mm] Diameter Through Hole on Flanges 4: 4-40 Threaded Inserts on Flanges E: 4-40 Hex Jack Sockets (supplied loose)	
	MODIFIER 0: Standard Product x: Special or Custom Versions	X
	LOWER CONNECTOR FILTER CAPACITANCE same as Upper Connector Filter Capacitance Designation	5
	UPPER CONNECTOR FILTER CAPACITANCE	5

D: 50 pF **5:** 1,000 pF
0: 180 pF **E:** 2,200 pF
F: 330 pF **7:** 1,200 pf
1: 470 pF **9:** 5,600 pF
4: 820 pF **8:** 47,000 pF

* For Additional Mounting Options and Filter Capacitance - Consult Factory



PCB LAYOUT

Dimensions

Connector size	A	B	C
9 / 9	1.213 [30.81]	.984 [24.99]	.432 [10.97]
15 / 15	1.541 [39.14]	1.312 [33.32]	.756 [19.20]
25 / 25	2.088 [53.04]	1.852 [47.04]	1.304 [33.12]
37 / 37	2.729 [69.32]	2.500 [63.50]	1.956 [49.68]

Consult factory for alternative arrangements

FCC17 Series

FILTERED D-SUB CONNECTORS

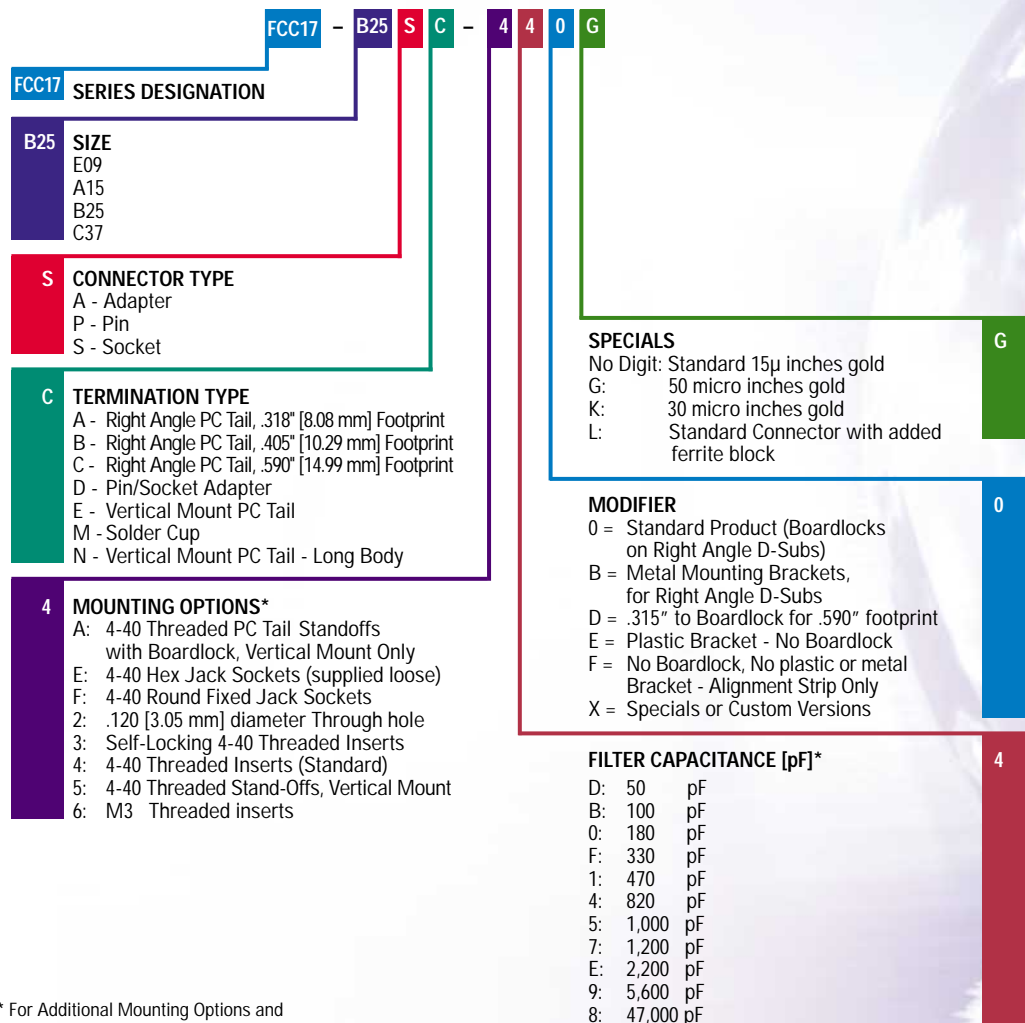
Specifications

Filter Characteristics: See Page 2
 Electrical Data: See Page 2
 Material and Finishes: See Page 3
 Environmental Data: See Page 3
 UL File # : E135615
 CSA File # : LR68598



These products are protected by U.S. Patent # 4500159

Ordering Information – D-Sub



* For Additional Mounting Options and Filter Capacitance - Consult Factory

FCC57 Series

FILTERED MICRO-RIBBON CONNECTORS

Specifications

Filter Characteristics: See Page 2
 Electrical Data: See Page 2
 Material and Finishes: See Page 3
 Environmental Data: See Page 3
 UL File # : E135615
 CSA File # : LR68598



These products are protected by U.S. Patent # 4500159

Ordering Information



High voltage capacitors available (contact factory)