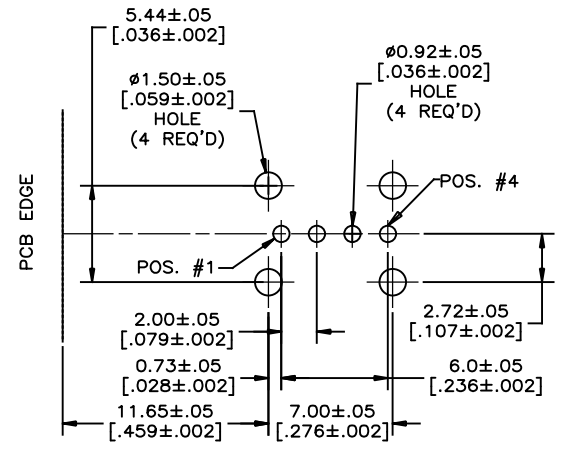
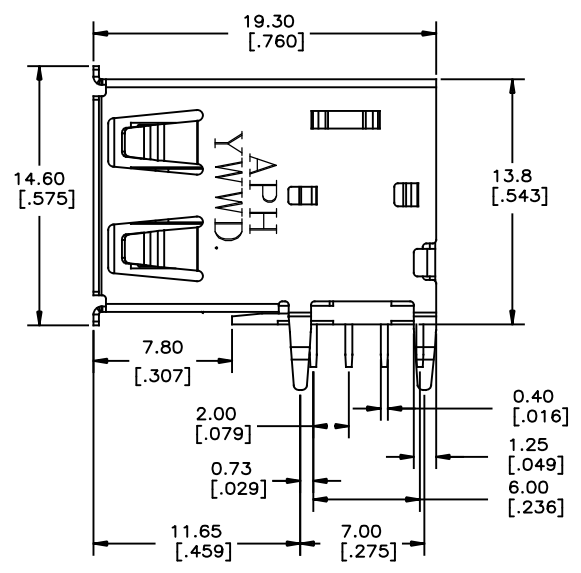
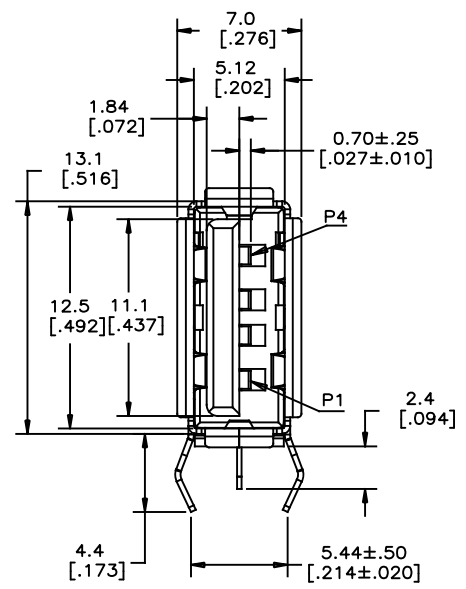
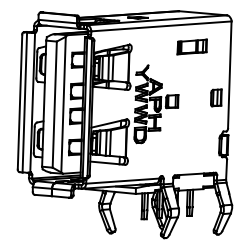
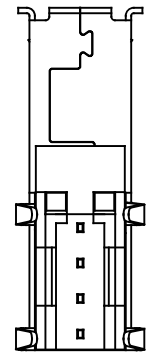


REVISIONS			
REV	DESCRIPTION, ECN, EAR NO.	DATE	APP'D
A	PRODUCT DRAWING (EAR 15161)	AUG11/22	E.Q.



RECOMMENDED PCB BOARD LAYOUT



AMPHENOL PART NUMBER: U E 2 7 - A D X 4 - X 3 2 - X X

SERIES _____
 UE27 = RECEPTACLE
 TYPE _____
 A = SERIES A
 STYLE _____
 D = VERTICAL RIGHT ANGLE PCB

PACKAGING MODIFIER
 NO DIGITS = STANDARD TRAY PACKAGING
 TR = TAPE & REEL PACKAGING
 MODIFIER
 2= FOR 2.00mm[0.079INCH] PITCH PCB
 SPECIALL CONTACT TAIL DIRECTION
 SHIELDING STYLE
 3 = REAR SHIELD
 COLOUR
 0=WHITE
 1=BLACK
 3=BLUE (PANTONE 285C)
 NUMBER OF CONTACTS
 4 = 4 CONTACTS

CONTACT PLATING OPTION _____
 5 = 0.76 MICRONS [30 MICRO"] MIN. GOLD ON CONTACT MATING AREA.
 2.54 MICRONS [100 MICRO"] MATTE-TIN PLATING ON CONTACT TAILS.
 1.27 MICRONS [50 MICRO"] MIN. NICKEL OVERALL.
 7 = GOLD FLASH ON CONTACT MATING AREA.
 2.54 MICRONS [100 MICRO"] MATTE-TIN PLATING ON CONTACT TAILS.
 1.27 MICRONS [50 MICRO"] MIN. NICKEL OVERALL.

NOTES:

- MATERIALS:**
 CONTACT: PHOSPHOR BRONZE, 0.25mm THICKNESS
 SEE AMPHENOL PART NUMBER SYSTEM FOR PLATING OPTIONS
 HOUSING: PBT, UL94V-0,
 COLOUR: SEE AMPHENOL PART NUMBER SYSTEM FOR OPTIONS
 BOTTOM COVER: HTN, UL94V-0,
 COLOUR: SEE AMPHENOL PART NUMBER SYSTEM FOR OPTIONS
 SHELL: BRASS, 0.3mm THICKNESS,
 50u" MIN. NICKEL PLATED OVERALL
 REAR SHELL: SPCC, 0.3mm THICKNESS,
 50u" MIN. NICKEL PLATED OVERALL
- FOR WAVE SOLDERING PROCESS ONLY
- PACKAGING:**
 UE27-ADX4-X32 PARTS ARE PACKAGED IN STANDARD TRAY, 80 PARTS PER TRAY,
 52 TRAYS PER CARTON. SEE SHEET 2 FOR PACKAGING DETAILS.
 UE27-ADX4-X32-TR PARTS ARE PACKAGED IN TAPE & REEL, STANDARD QUANTITY
 IS 120 PARTS PER REEL AND 12 REELS PER CARTON. SEE SHEET 3 FOR
 PACKAGING DETAILS.

THIS DOCUMENT CONTAINS PROPRIETARY INFORMATION AND SUCH INFORMATION MAY NOT BE DISCLOSED TO OTHERS FOR ANY PURPOSE OR USED FOR MANUFACTURING PURPOSES WITHOUT WRITTEN PERMISSION FROM AMPHENOL CANADA CORP.



UNLESS SPECIFIED OTHERWISE	DRAWN	A.NONG	AUG10/22
PRIMARY UNITS MILLIMETERS	CHECKED	F.WANG	AUG11/22
SECONDARY INCHES	M.E. APP'D		
REFERENCE IN PARENTHESES	Q.A. APP'D		
GENERAL TOLERANCES	DWG APP'D	E.QU	AUG11/22
1 DECIMAL PLACE ±0.30	ENG. REL. NO.	EAR #15161	
2 DECIMAL PLACES ±0.20	REF.		
3 DECIMAL PLACES ±0.10	THIRD ANGLE PROJECTION		
ANGULAR DEGREES ±1°	DO NOT SCALE DRAWING		

Amphenol Canada Corp.
 Commercial Products

UNIVERSAL SERIAL BUS RECEPTACLE,
 RIGHT ANGLE PCB TYPE,
 RoHS COMPLIANT

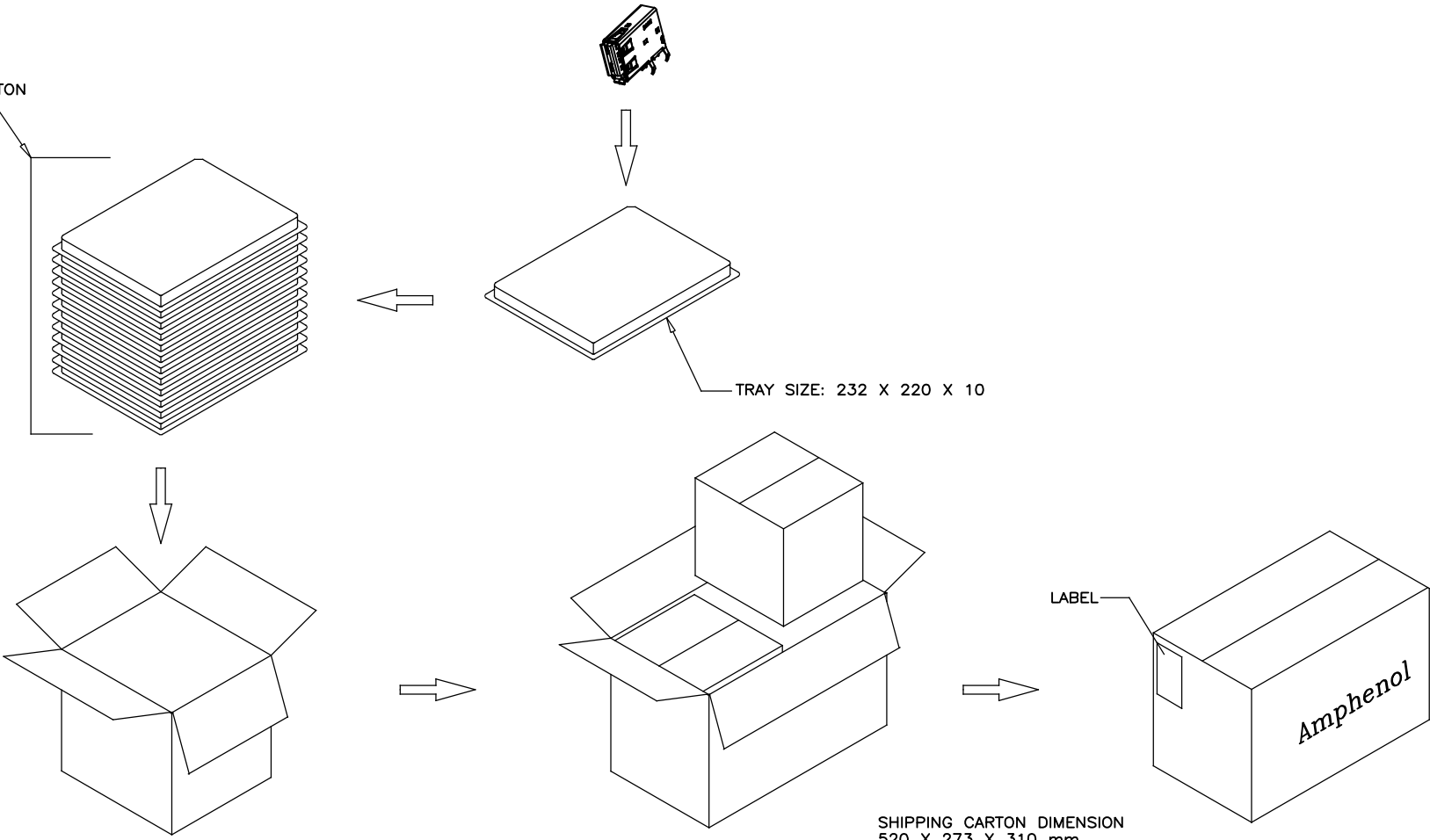
DWG NO. P-UE27-ADX4-X32-XX REV A

CODE ID NO. 03554 DWG SIZE C SCALE 5:1 SHEET 1 OF 3

REVISIONS			
REV	DESCRIPTION, ECN, EAR NO.	DATE	APP'D
A	PRODUCT DRAWING (EAR 15161)	AUG11/22	E.Q.

STANDARD TRAY PACKAGING DETAILS

26 PCS TRAY/CARTON



TRAY SIZE: 232 X 220 X 10

LABEL

SHIPPING CARTON DIMENSION
520 X 273 X 310 mm

NOTES:

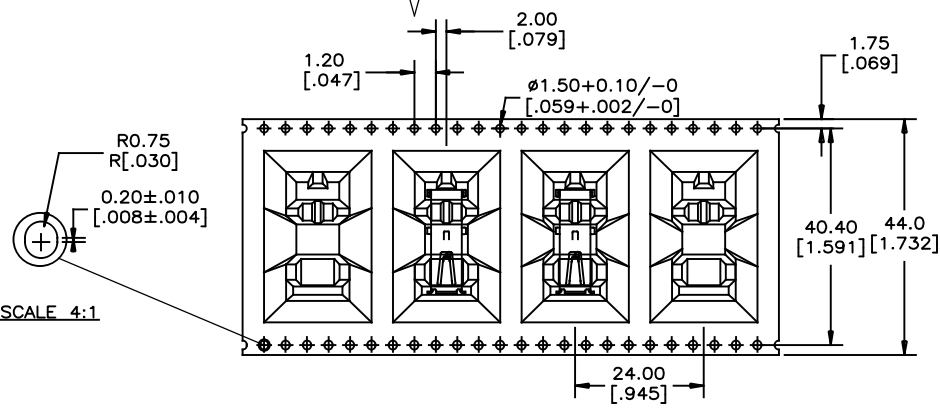
DETAILS SHOWN ARE FOR TRAY PACKAGED OPTION
80 PARTS PER TRAY, 52 TRAYS PER CARTON, 4160 PARTS PER CARTON



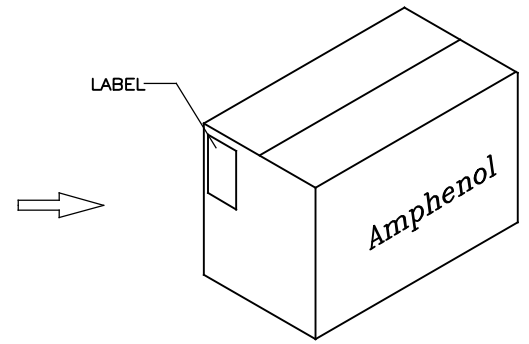
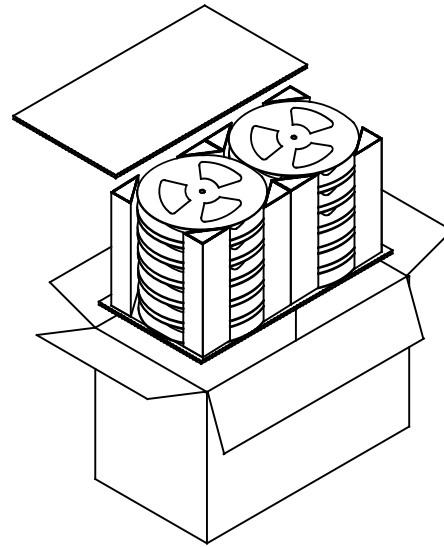
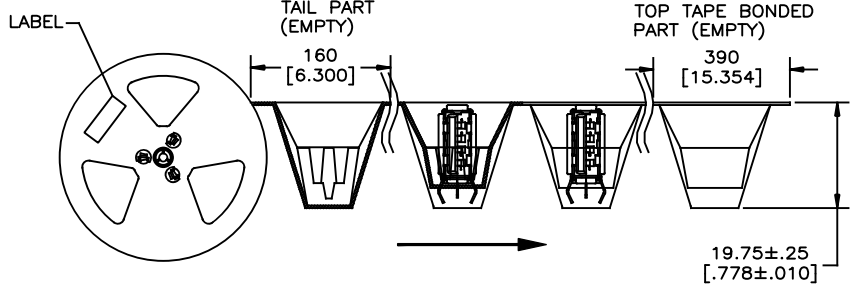
UNLESS SPECIFIED OTHERWISE		DRAWN	A.NONG	AUG10/22	Amphenol Canada Corp. Commercial Products
PRIMARY UNITS MILLIMETERS		CHECKED	F.WANG	AUG11/22	
SECONDARY INCHES		M.E. APP'D			UNIVERSAL SERIAL BUS RECEPTACLE, RIGHT ANGLE PCB TYPE, RoHS COMPLIANT
REFERENCE IN PARENTHESES		Q.A. APP'D			
GENERAL TOLERANCES		DWG APP'D	E.QU	AUG11/22	
1 DECIMAL PLACE		ENG. REL. NO. EAR #15161			DWG NO.
2 DECIMAL PLACES		REF.			P-UE27-ADX4-X32-XX
3 DECIMAL PLACES		THIRD ANGLE PROJECTION			REV
ANGULAR DEGREES		DO NOT SCALE DRAWING			A
					CODE ID NO. 03554 DWG SIZE C SCALE 5:1 SHEET 2 OF 3

REVISIONS			
REV	DESCRIPTION, ECN, EAR NO.	DATE	APP'D
A	PRODUCT DRAWING (EAR 15161)	AUG11/22	E.Q.

TAPE & REEL PACKAGING DETAILS



SCALE 4:1



SHIPPING CARTON DIMENSION
690 X 360 X 325 mm

NOTES:
 DETAILS SHOWN ARE FOR TAPE & REEL PACKAGED OPTION
 120 PARTS PER REEL, 12 REELS PER CARTON, 1440 PARTS PER CARTON



UNLESS SPECIFIED OTHERWISE	DRAWN	A.NONG	AUG10/22
PRIMARY UNITS MILLIMETERS	CHECKED	F.WANG	AUG11/22
SECONDARY INCHES	M.E. APP'D		
REFERENCE IN PARENTHESES	Q.A. APP'D		
GENERAL TOLERANCES	DWG APP'D	E.QU	AUG11/22
1 DECIMAL PLACE ±0.30	ENG. REL. NO.	EAR #15161	
2 DECIMAL PLACES ±0.20	REF.		
3 DECIMAL PLACES ±0.10	THIRD ANGLE PROJECTION		
ANGULAR DEGREES ±1°	DO NOT SCALE DRAWING		

Amphenol Canada Corp. Commercial Products			
UNIVERSAL SERIAL BUS RECEPTACLE, RIGHT ANGLE PCB TYPE, RoHS COMPLIANT			
DWG NO.	P-UE27-ADX4-X32-XX		
REV	A		
CODE ID NO.	03554	DWG SIZE	C
SCALE	5:1	SHEET	3 OF 3

THIS DOCUMENT CONTAINS PROPRIETARY INFORMATION AND SUCH INFORMATION MAY NOT BE DISCLOSED TO OTHERS FOR ANY PURPOSE OR USED FOR MANUFACTURING PURPOSES WITHOUT WRITTEN PERMISSION FROM AMPHENOL CANADA CORP.