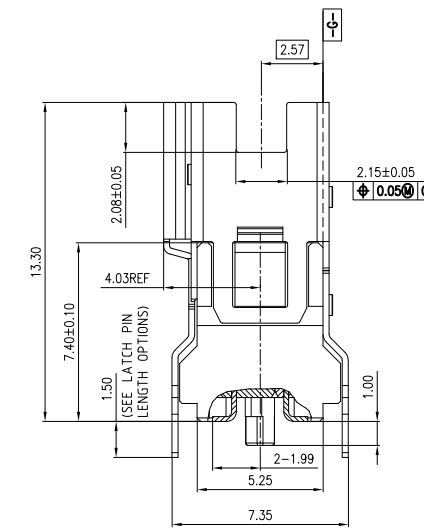
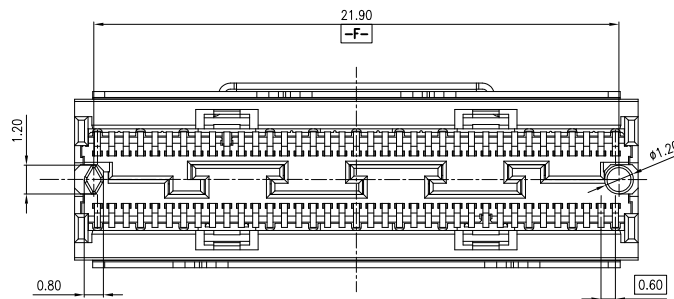
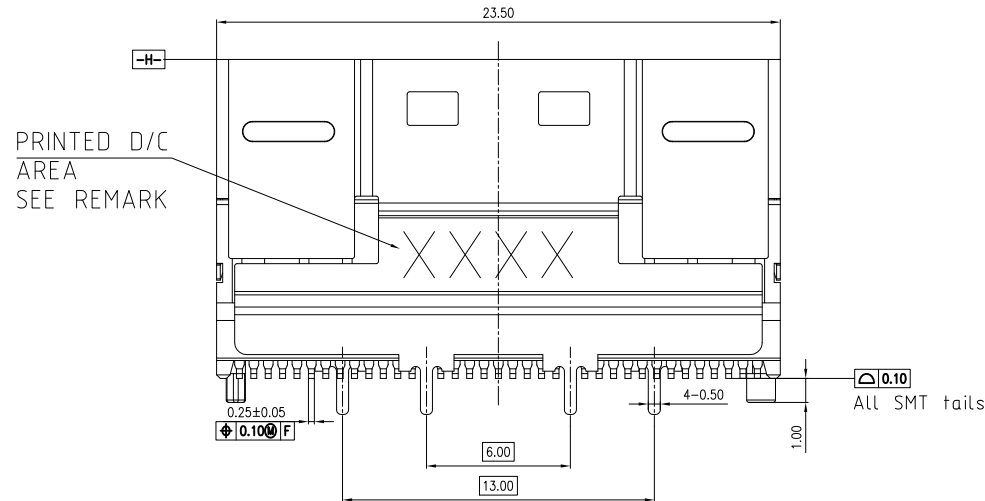
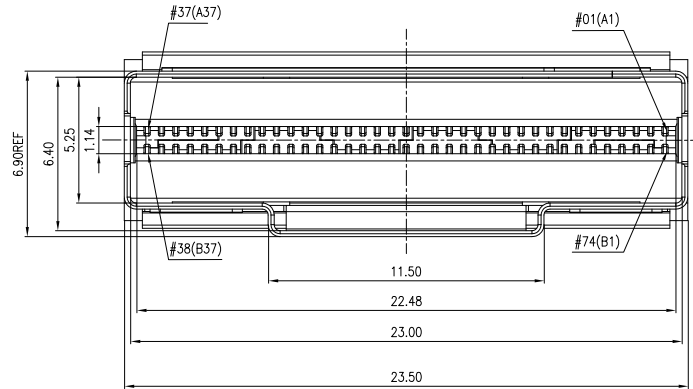
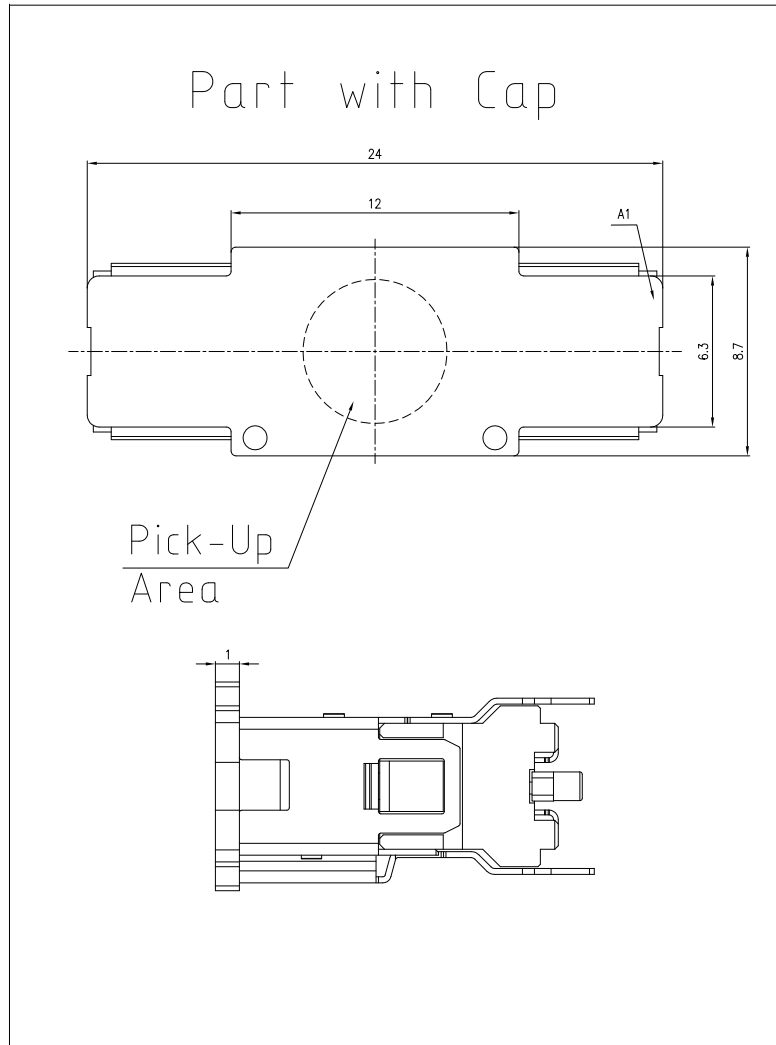


This document is the property of Amphenol Corporation and is delivered on the express condition that it is not to be disclosed, reproduced or used, in whole or in part, for manufacture or sale by anyone other than Amphenol Corporation without its prior consent, & that no right is granted to disclose or to use any information in this document.

CUSTOMER DRAWING

REVISIONS				
SYM	ECN	DESCRIPTION	DATE	APPROVED
1	N/A	FIRST RELEASE	4/26'18	IP
2	N/A	ADDING SHELL DIMENSION	5/15'18	IP
3	N/A	ADDING DIMENSION	5/17'18	IP
4	N/A	ADDING SHELL DIMENSION	5/21'18	IP
5	N/A	ADDING PCB DIMENSION	6/12'18	IP
6	N/A	CHANGING THE PACKING CARRIER	8/13'18	IP
7	N/A	CHANGING THE PACKING CARRIER WIDTH	8/21'18	IP
8	N/A	ADDING TWO CIRCULAR HOLES ON THE COVER SURFACE TO DISTINGUISH THE DIRECTION AND ADDING HOUSING COLOR DESCRIPTION	11/14'18	IP



Remark:  
 PRINTED D/C AREA  
 印刷日期代码区域  
 YYWW  
 WEEK(周)  
 YEAR(年)



UNLESS OTHERWISE SPECIFIED TOLERANCES	
U.S.	METRIC
.X	+/- 0.50
.XX	+/- 0.25
.XXX	+/- 0.20
FRACTIONS	+/-
ANGLES	+/- 3°

FOR MATERIALS AND FINISHES SEE NOTES

REMOVE SHARP EDGES

DIMENSIONS

U.S.	INCHES
(METRIC)	(MM)

APPROVAL		DATE
DRAWN	Mike	11/14'18
CHECKED		
CHECKED		
DRAWING FILE : DRAWING\U10\U10BH74X0X01X-8		
ANGLE OF PROJECTION		

Amphenol		Amphenol East Asia Limited	
TITLE CUSTOMER DRAWING FOR SLIMLINE SAS X8 VERTICAL			
SIZE	DRAWING NO.	REV.	
A3	U10BH74X0X01X	8	
SCALE	NONE	SHEET 1 OF 2	

