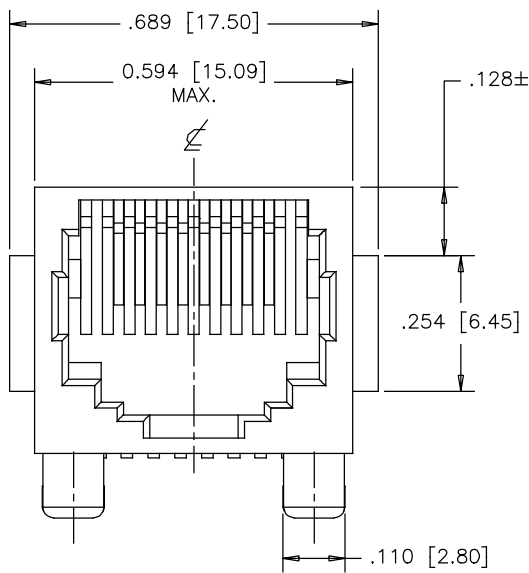
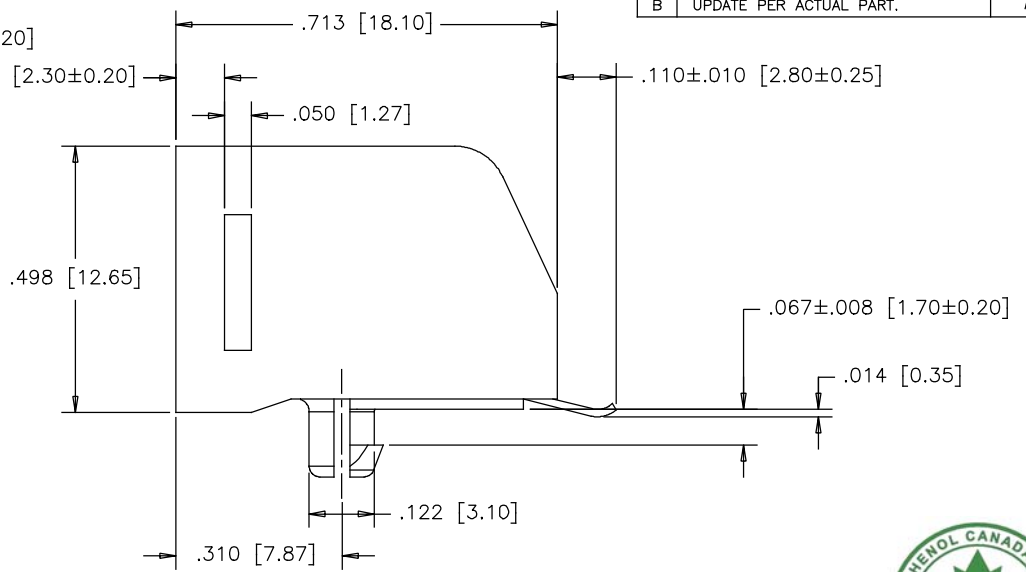


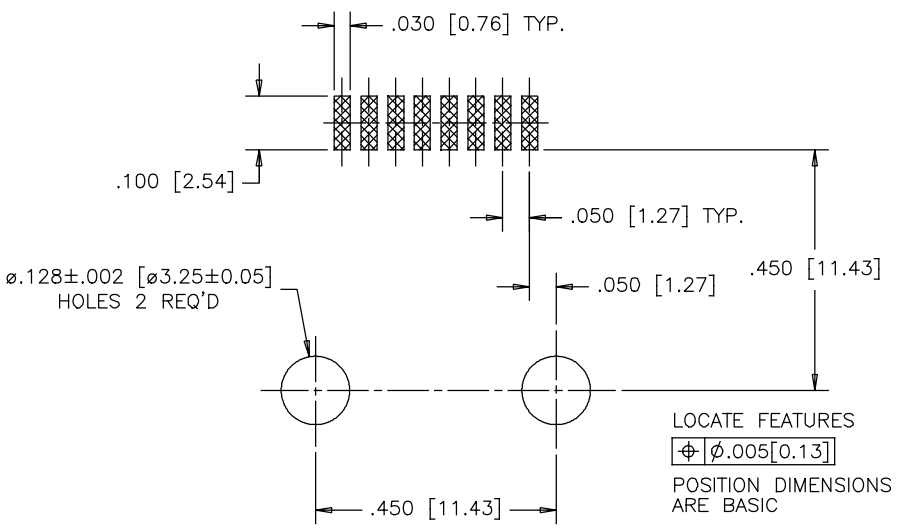
REVISIONS			
REV	DESCRIPTION, ECN, EAR NO.	DATE	APP'D
A	PROPOSAL	SEP.12/13	L.CHAN
B	UPDATE PER ACTUAL PART.	MAY21/14	L.CHAN



FRONT VIEW



SIDE VIEW



RECOMMENDED P.C.B. LAYOUT
(COMPONENT SIDE OF BOARD)

MATERIALS:

HOUSING: HIGH TEMPERATURE THERMOPLASTIC
FLAMMABILITY RATING UL94V-0
COLOR: BLACK

CONTACTS: PHOSPHOR BRONZE

PLATING: MATING AREA: SELECTIVELY PLATED GOLD—PER
PART NUMBER OPTIONS
50 MICROINCH [1.27 MICRONS] MIN. NICKEL OVERALL
100 MICROINCH [2.54 MICRONS] MIN. MATTE TIN
OR GOLD FLASH OVER TAIL

AMPHENOL PART NUMBER: RJE07-188-0X20

- GOLD PLATING**
- 1 = 06 MICROINCH
 - 2 = 15 MICROINCH
 - 3 = 30 MICROINCH
 - 4 = 50 MICROINCH

UNLESS SPECIFIED OTHERWISE	DRAWN G.HSIA	SEP.12/13
PRIMARY UNITS INCHES	CHECKED	
SECONDARY MILLIMETERS	M.E. APP'D	
REFERENCE IN PARENTHESES	Q.A. APP'D	
1 DECIMAL PLACE	DWG APP'D L.CHAN	SEP.12/13
2 DECIMAL PLACES	ENG. REL NO.	
3 DECIMAL PLACES ±0.015	REF.	
ANGULAR DEGREES	THIRD ANGLE PROJECTION	DO NOT SCALE DRAWING

Amphenol Canada Corp. www.amphenolcanada.com	
RJE07 SURFACE MOUNT MODULAR JACK 8 POSITION, 8 CONTACTS, WITHOUT SHIELD, WITH FLANGE— RoHS COMPLIANT	
DWG NO. P-RJE07-188-0X20	REV B
CODE ID NO. 03554	DWG SIZE SCALE SHEET 1 OF 1