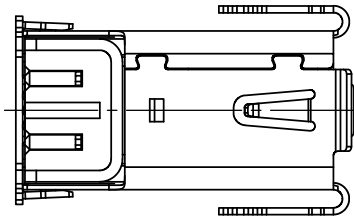
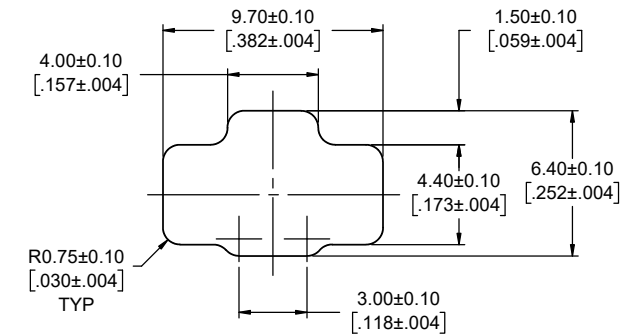
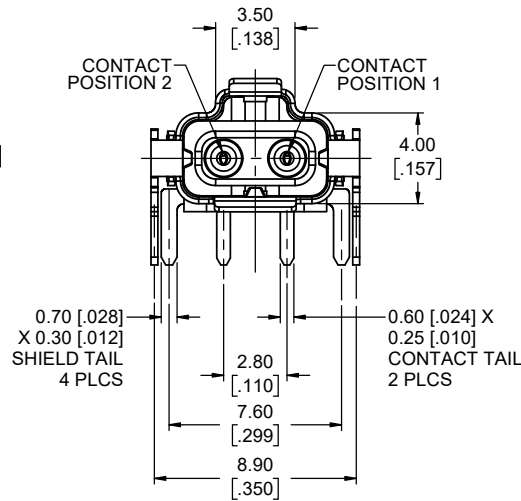
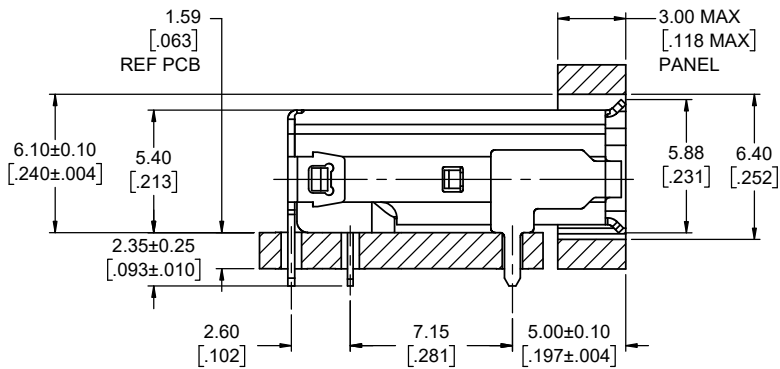
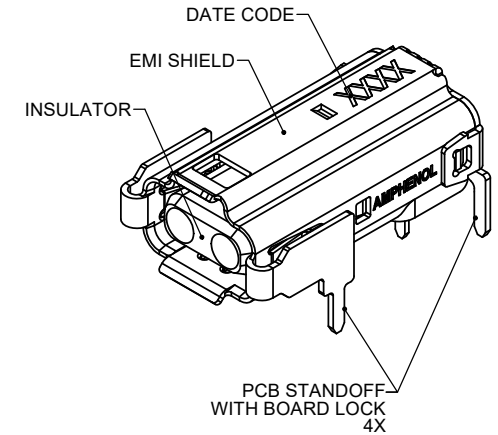


REVISIONS			
REV	DESCRIPTION, ECN, EAR NO.	DATE	APP'D
C	PRODUCT DRAWING (EAR 14781)	JUN01/20	M.P.
D	PRODUCT DRAWING (EAR 14903)	JUL13/21	M.P.



NOTES:

- MATERIALS: ALL MATERIALS ARE RoHS COMPLIANT PER EU DIRECTIVE 2011/65/EU AND AMENDMENTS.
 - EMI SHIELD: STAINLESS STEEL PLATED WITH MATTE TIN OVER NICKEL
 - CONTACTS: COPPER ALLOY PLATED WITH NICKEL OVERALL, 0.76µm (30µ") GOLD ON THE MATING AREA, AND MATTE TIN ON THE TAILS
 - INSULATOR: ENGINEERING THERMOPLASTIC, UL94V-0 FLAMMABILITY RATING, COLOUR: BLACK
- DESIGNED IN ACCORDANCE WITH IEC STANDARD 63171-6.
 - DATA TRANSMISSION WITH FREQUENCIES UP TO 600 MHZ
 - COMPATIBLE WITH 10BASE-T1, 100BASE-T1, & 1000BASE-T1
- ELECTRICAL CHARACTERISTICS:
 - CURRENT RATING: 4A
 - VOLTAGE RATING: 60VDC MAX
 - CONTACT RESISTANCE: 20mΩ MAX
- OPERATING TEMPERATURE: -40°C TO +85°C

CONTACT POSITION	SIGNAL PER IEC 63171-6
1	BI_DA+
2	BI_DA-

AMPHENOL P/N: MSPE-J2L0-B01



UNLESS SPECIFIED OTHERWISE	DRAWN	M. PAHULJE	MAY31/19
PRIMARY UNITS MILLIMETRES	CHECKED		
SECONDARY UNITS INCHES	M.E. APP'D		
REFERENCE IN PARENTHESES	Q.A. APP'D		
GENERAL TOLERANCES	DWG APPR.		
1 DECIMAL PLACE	ENG. REL. NO.	EAR 14781	
2 DECIMAL PLACES	REF.		
3 DECIMAL PLACES	THIRD ANGLE PROJECTION		
ANGULAR DEGREES	DO NOT SCALE DRAWING		

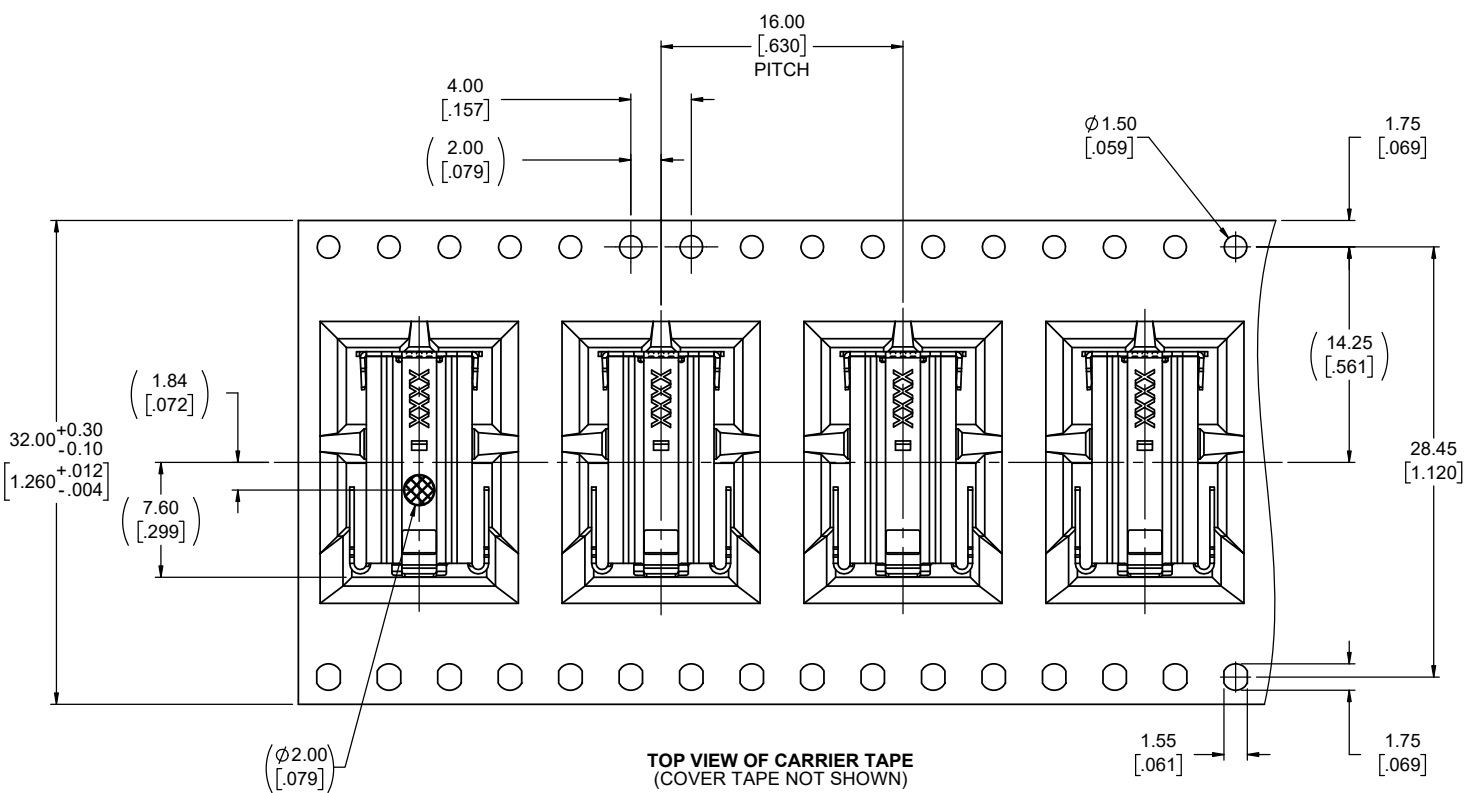
Amphenol Canada Corp.
 Commercial Products

MSPE SERIES, IP20 JACK, LATCH-LOCKING, RIGHT ANGLE PCB TERMINATION FOR PIN-IN-PASTE APPLICATIONS, RoHS COMPLIANT

P-MSPE-J2L0-B01

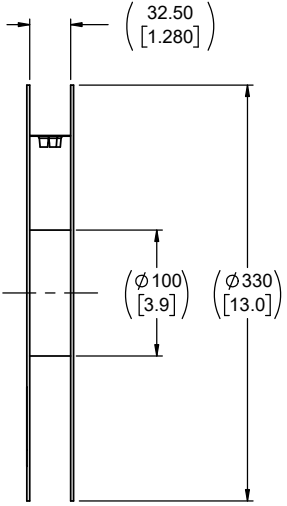
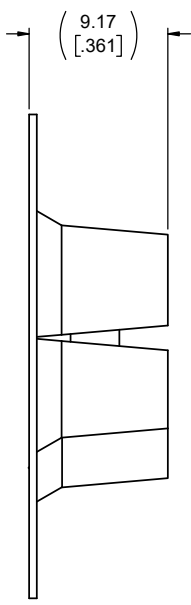
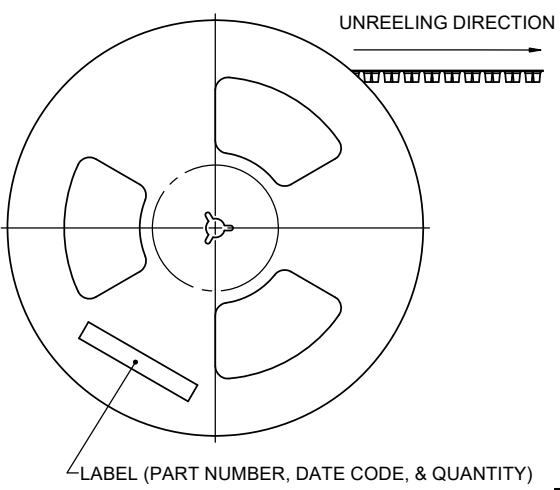
CODE ID NO. 03554 DWG SIZE: X SCALE: 6:1 SHEET 1 OF 2

REVISIONS			
REV	DESCRIPTION, ECN, EAR NO.	DATE	APP'D
C	PRODUCT DRAWING (EAR 14781)	JUN01/20	M.P.
D	PRODUCT DRAWING (EAR 14903)	JUL13/21	M.P.



($\phi 2.00$)
[.079]
RECOMMENDED
VACUUM PICKUP AREA

TOP VIEW OF CARRIER TAPE
(COVER TAPE NOT SHOWN)



PACKAGING NOTES:

1. EACH FULL REEL SHALL CONTAIN 400 CONNECTORS. FIRST & LAST 19 POCKETS OF CARRIER TAPE SHALL BE EMPTY.
2. EACH FULL CARTON SHALL CONTAIN 7 REELS, FOR A TOTAL OF 2800 CONNECTORS.

THIS DOCUMENT CONTAINS PROPRIETARY INFORMATION AND SUCH INFORMATION MAY NOT BE DISCLOSED TO OTHERS FOR ANY PURPOSE OR USED FOR MANUFACTURING PURPOSES WITHOUT WRITTEN PERMISSION FROM AMPHENOL CANADA CORP.

UNLESS SPECIFIED OTHERWISE	DRAWN	M. PAHULJE	MAY31/19
PRIMARY UNITS MILLIMETRES	CHECKED		
SECONDARY INCHES	M.E. APP'D		
REFERENCE IN PARENTHESES	Q.A. APP'D		
GENERAL TOLERANCES	DWG APPR.		
1 DECIMAL PLACE	ENG. REL. NO.	EAR 14781	
2 DECIMAL PLACES ± 0.10	REF.		
3 DECIMAL PLACES	THIRD ANGLE PROJECTION		
ANGULAR DEGREES			

Amphenol Canada Corp.
Commercial Products

MSPE SERIES, IP20 JACK, LATCH-LOCKING,
RIGHT ANGLE PCB TERMINATION
FOR PIN-IN-PASTE APPLICATIONS,
RoHS COMPLIANT

DWG. NO. **P-MSPE-J2L0-B01** REV **D**

CODE ID NO. 03554 DWG SIZE: X SCALE: 4:1 SHEET 2 OF 2

