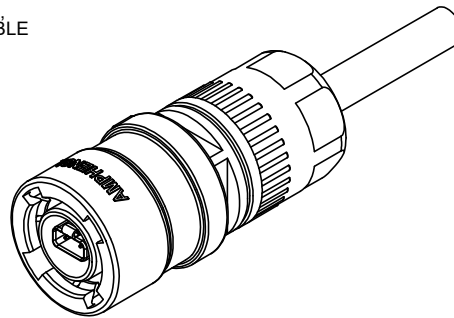
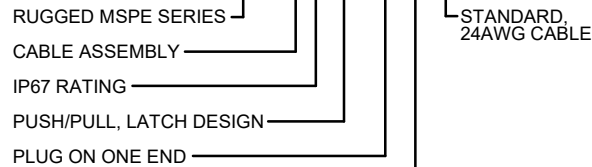


| REVISIONS | | | |
|-----------|-----------------------------|----------|-------|
| REV | DESCRIPTION, ECN, EAR NO. | DATE | APP'D |
| A | PRODUCT DRAWING (EAR 15028) | JAN28/22 | K.L. |

| CONTACT POSITION | SIGNAL PER IEC 63171-6 | WIRE INSULATION COLOUR |
|------------------|------------------------|------------------------|
| 1 | BI_DA+ | BLUE |
| 2 | BI_DA- | WHITE |

ORDERING CODE: MSPE - C 6 P 2 - A XX 10



| CABLE LENGTHS (DIMENSION 'A') | |
|-------------------------------|-------------------------------|
| | LENGTH IN CM |
| A0 TO A9 | 1 METER + 0 TO 9 DECIMETERS |
| B0 TO B9 | 2 METERS + 0 TO 9 DECIMETERS |
| C0 TO C9 | 3 METERS + 0 TO 9 DECIMETERS |
| D0 TO D9 | 4 METERS + 0 TO 9 DECIMETERS |
| E0 TO E9 | 5 METERS + 0 TO 9 DECIMETERS |
| F0 TO F9 | 6 METERS + 0 TO 9 DECIMETERS |
| G0 TO G9 | 7 METERS + 0 TO 9 DECIMETERS |
| H0 TO H9 | 8 METERS + 0 TO 9 DECIMETERS |
| J0 TO J9 | 9 METERS + 0 TO 9 DECIMETERS |
| K0 TO K9 | 10 METERS + 0 TO 9 METERS |
| L0 TO L9 | 20 METERS + 0 TO 9 METERS |
| M0 TO M9 | 30 METERS + 0 TO 9 DECAMETERS |

CABLE LENGTH ORDERING CODE EXAMPLES:
75cm = F5 6.3m = F3 25m = L5 80m = M5

NOTES:

- MATERIALS:** ALL MATERIALS ARE RoHS COMPLIANT PER EU DIRECTIVE 2011/65/EU AND AMENDMENTS.
 - HOUSING, CAP, GLAND, & INSERTS: ENGINEERING THERMOPLASTIC, UL94V-0 FLAMMABILITY RATING, COLOUR: BLACK
 - EMI SHIELD: STAINLESS STEEL PLATED WITH NICKEL
 - CONTACTS: COPPER ALLOY PLATED WITH NICKEL OVERALL, 0.76µm (30µ") GOLD ON THE MATING AREA AND GOLD FLASH ON THE TAILS
 - O-RING & GROMMET: SILICONE RUBBER, COLOUR: BLACK
 - RETAINING RING & WAVE SPRING: STAINLESS STEEL, PASSIVATED
 - CABLE: STRANDED 24 AWG COPPER, PE INSULATION, FOIL WRAPPED TWISTED PAIR, OVERALL BRAID, PUR JACKET
- DESIGNED IN ACCORDANCE WITH IEC**
 - STANDARDS 63171-6 & 61076-2-010. COMPATIBLE WITH:
 - IEEE 802.3cg, 10BASE-T1L & -T1S
 - IEEE 802.3bw, 100BASE-T1
 - IEEE 802.3bp, 1000BASE-T1
 - IEEE 802.3bu, POWER OVER DATA LINES (PoDL)
- ENVIRONMENTAL CHARACTERISTICS:**
 - OPERATING TEMPERATURE: -40°C TO +85°C
 - IP67 RATED PERFORMANCE PER IEC 60529, IN MATED CONDITION.
- ELECTRICAL CHARACTERISTICS:**
 - CURRENT RATING: 4A
 - VOLTAGE RATING: 60VDC
 - CONTACT RESISTANCE: 20mΩ MAX
 - DIELECTRIC WITHSTANDING VOLTAGE:
 - 1000VDC CONTACT TO CONTACT
- FOR MATING RECEPTACLE INFORMATION PLEASE REFER TO SALES DRAWINGS P-MSPE-J6P2-M02, P-MSPE-J6P2-E00 OR P-MSPE-J6P2-B02**



| | | | |
|----------------------------|------------------------|-----------|----------|
| UNLESS SPECIFIED OTHERWISE | DRAWN | R. DAMICO | JAN6/22 |
| PRIMARY UNITS MILLIMETRES | CHECKED | K. LAMBIE | JAN28/22 |
| SECONDARY UNITS INCHES | M.E. APP'D | | |
| REFERENCE IN PARENTHESES | Q.A. APP'D | | |
| GENERAL TOLERANCES | DWG APPR. | | |
| 1 DECIMAL PLACE | ENG. REL. NO. | EAR 15028 | |
| 2 DECIMAL PLACES | REF. | | |
| 3 DECIMAL PLACES | THIRD ANGLE PROJECTION | | |
| ANGULAR DEGREES | DO NOT SCALE DRAWING | | |

Amphenol Canada Corp.
Commercial Products

MSPE SERIES SINGLE PAIR ETHERNET CABLE ASSEMBLY, IP67 PLUG ON ONE, END, PUSH/PULL, 24 AWG CABLE, VARIOUS LENGTHS, RoHS COMPLIANT

| | | | |
|-------------|-------------------|-----------|--------|
| DWG. NO. | P-MSPE-C6P2-AXX10 | REV | A |
| CODE ID NO. | 03554 | DWG SIZE: | X |
| SCALE: | 3:1 | SHEET | 1 OF 1 |