

REVISIONS			
REV	DESCRIPTION, ECN, EAR NO.	DATE	APP'D
F	PRODUCT DRAWING (EAR 15057)	FEB7/22	K.L.

**ORDERING CODE: MRD - BX0X - M1X - 000**

**SERIES** \_\_\_\_\_

**CONNECTOR SIZE & MECHANISM**  
B = 16mm SIZE WITH LATCH LOCK

**HOUSING ORIENTATION & CONTACT TYPE**  
 F = FEMALE METAL HOUSING & SOCKET CONTACT  
 G = FEMALE METAL HOUSING & PIN CONTACT  
 H = FEMALE PLASTIC HOUSING & SOCKET CONTACT  
 J = FEMALE PLASTIC HOUSING & PIN CONTACT  
 M = MALE METAL HOUSING & PIN CONTACT  
 N = MALE METAL HOUSING & SOCKET CONTACT  
 P = MALE PLASTIC HOUSING & PIN CONTACT  
 R = MALE PLASTIC HOUSING & SOCKET CONTACT

**SPECIALS**  
000 = STANDARD

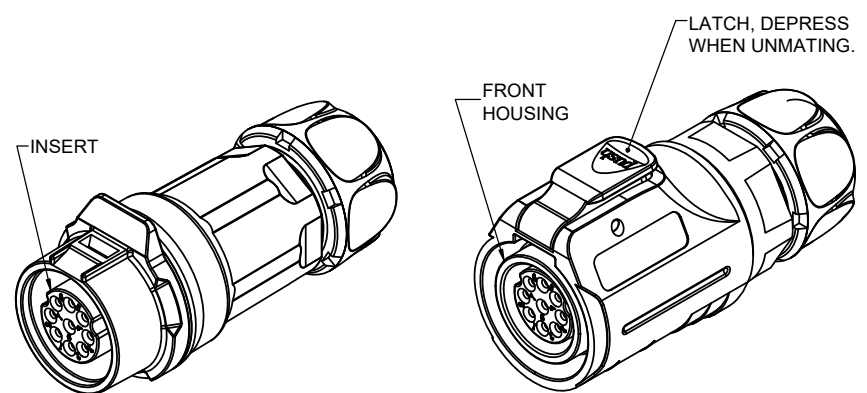
**GROMMET SIZE OPTION**  
 6 = GROMMET FOR 7.0 (.28) TO 9.0 (.35) CABLE OD  
 7 = GROMMET FOR 4.0 (.16) TO 7.0 (.28) CABLE OD

**CONTACT TERMINATION TYPE**  
M1 = SOLDER CUP FOR FIELD ASSEMBLY CABLE END

**NUMBER OF CONTACT**  
02 TO 09 = TWO TO NINE CONTACTS (06 NOT INCLUDED)

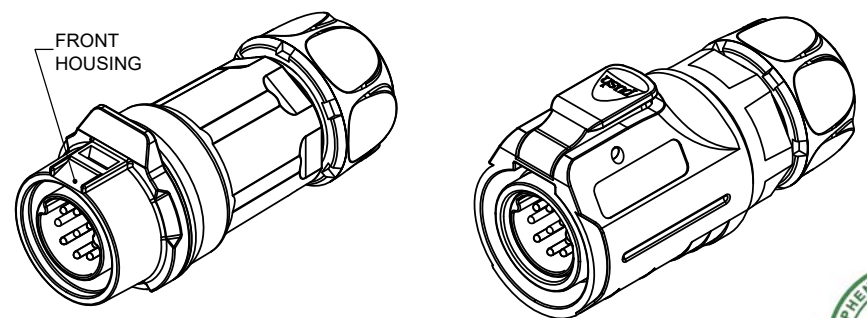
**NOTES:**

- ALL MATERIALS TO BE RoHS COMPLIANT PER EU DIRECTIVE 2011/65/EU AND AMENDMENTS.
  - INSERT, OUTER HOUSING & END CAP: THERMOPLASTIC PBT, UL FLAMMABILITY RATING 94V-0, OUTDOOR RATING F1, BLACK
  - FRONT HOUSING: THERMOPLASTIC PBT (AS ABOVE) OR ZINC ALLOY, CHROME PLATED. SEE HOUSING DESCRIPTION IN ORDERING CODE.
  - CONTACTS: COPPER ALLOY, GOLD OVER NICKEL PLATED.
  - GROMMET & O-RINGS: SILICONE RUBBER
  - LATCH: ZINC ALLOY, CHROME PLATED
- ENVIRONMENTAL PROTECTION: IP67 PER IEC 60529 IN MATED CONDITION.
- OPERATING TEMPERATURE: -40°C TO +80°C
- SEE TABLE BELOW 2 FOR ADDITIONAL CHARACTERISTICS.
- MRD CONNECTORS ON THIS DRAWING WILL MATE WITH SUITABLE OPPOSITE CONFIGURATION CABLE END CONNECTORS. MALE CONNECTORS WILL ALSO MATE WITH PANEL MOUNT FEMALE CONNECTORS PER DRAWING P-MRD-BX0X-L13-000.



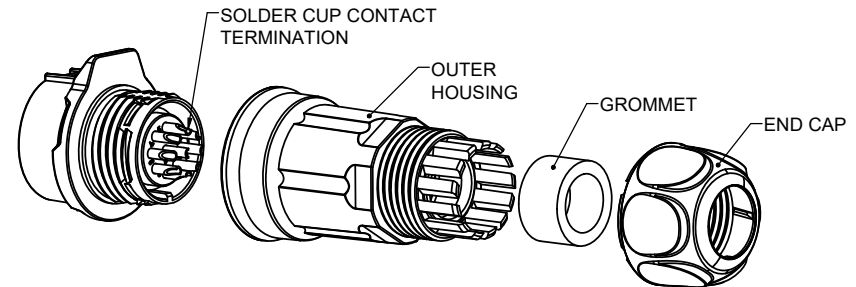
**FEMALE WITH SOCKET CONTACTS**

**MALE WITH SOCKET CONTACTS**



**FEMALE WITH PIN CONTACTS**

**MALE WITH PIN CONTACTS**



**TYPICAL CABLE ASSEMBLY METHOD**  
 SLIDE END CAP, GROMMET & OUTER HOUSING OVER CABLE, SOLDER WIRES TO CONTACTS & RE-ASSEMBLE CONNECTOR

**PART NUMBER CHARACTERISTICS TABLE:**

CONNECTOR PART NUMBER (SEE ORDERING CODE)	CONTACT QUANTITY	MAX WIRE GAUGE	CURRENT RATING	VOLTAGE RATING	DIELECTRIC WITHSTANDING VOLTAGE	CONTACT RESISTANCE
MRD-BX02-M1X-000	2	16 AWG	10A	400 VAC MAX	2500 VDC	5.0 mΩ MAXIMUM
MRD-BX03-M1X-000	3					
MRD-BX04-M1X-000	4					
MRD-BX05-M1X-000	5	20 AWG	5A	250 VAC MAX	1500 VDC	10.0 mΩ MAXIMUM
MRD-BX07-M1X-000	7					
MRD-BX08-M1X-000	8					
MRD-BX09-M1X-000	9					



UNLESS SPECIFIED OTHERWISE	DRAWN	K.XIONG	OCT9/17
PRIMARY UNITS MILLIMETERS	CHECKED	K.LAMBIE	MAR14/18
SECONDARY UNITS INCHES	M.E. APP'D		
REFERENCE IN PARENTHESES	Q.A. APP'D		
GENERAL TOLERANCES	DWG APPR.	A.GREEN	MAR14/18
1 DECIMAL PLACE	ENG. REL. NO.	EAR 14575	
2 DECIMAL PLACES ±0.25	REF.		
3 DECIMAL PLACES	THIRD ANGLE PROJECTION		
ANGULAR DEGREES	DO NOT SCALE DRAWING		

**Amphenol Canada Corp.**  
 Commercial Products

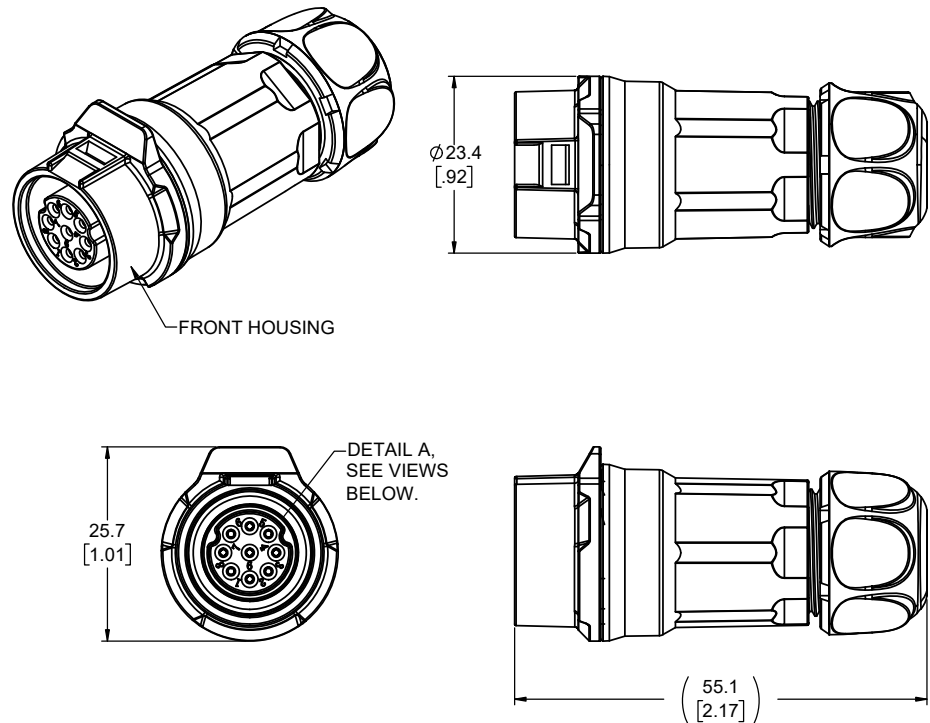
MRD SERIES RUGGED CABLE END CONNECTOR, MALE OR FEMALE, 2-5 & 7-9 POSITIONS, LATCH LOCK, FIELD ASSEMBLY, IP67 RATING, RoHS COMPLIANT

DWG. NO. **P-MRD-BX0X-M1X-000** REV **F**

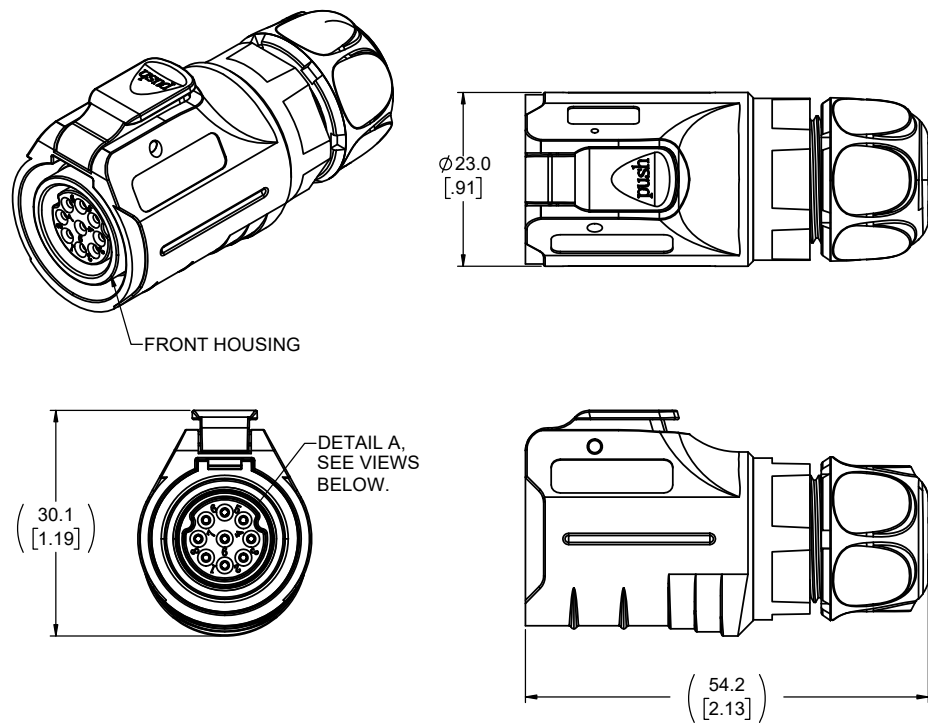
CODE ID NO. 03554 DWG SIZE: X SCALE: 2:1 SHEET 1 OF 3

REVISIONS			
REV	DESCRIPTION, ECN, EAR NO.	DATE	APP'D
F	PRODUCT DRAWING (EAR 15057)	FEB7/22	K.L.

**FEMALE WITH SOCKET CONTACTS**



**MALE WITH SOCKET CONTACTS**



**END VIEWS FOR SOCKET CONTACT MATING AREA**

DETAIL A VIEW (SCALE 4:1)							
NUMBER OF CONTACTS	2	3	4	5	7	8	9

SEE SHEET 1 FOR ORDERING CODE & ADDITIONAL INFORMATION

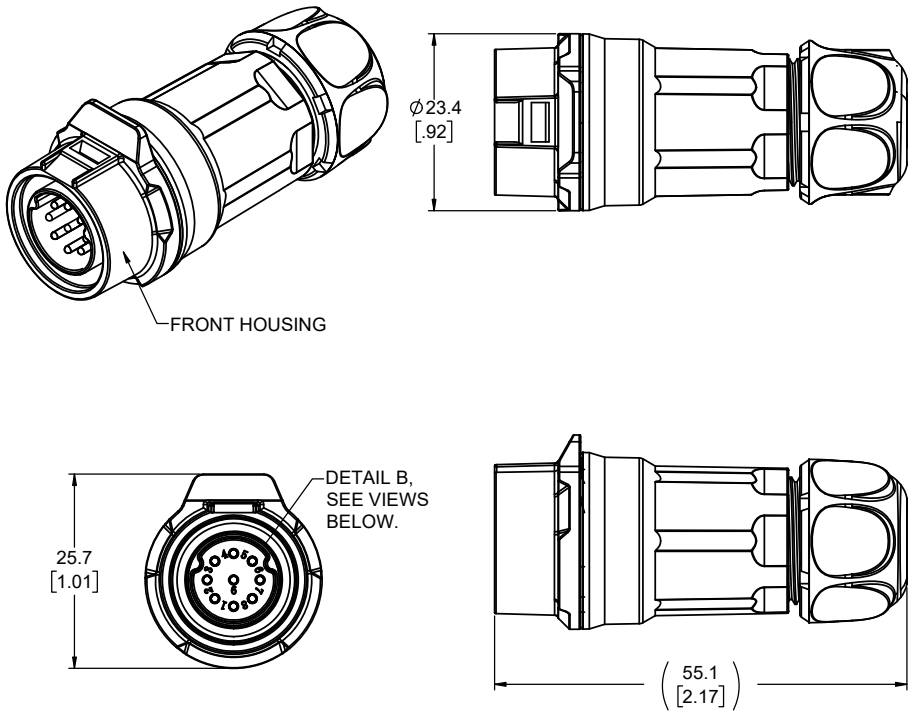


UNLESS SPECIFIED OTHERWISE	DRAWN	K.XIONG	OCT9/17
PRIMARY UNITS MILLIMETERS	CHECKED	K.LAMBIE	MAR14/18
SECONDARY INCHES	M.E. APP'D		
REFERENCE IN PARENTHESES	Q.A. APP'D		
GENERAL TOLERANCES	DWG APPR.	A.GREEN	MAR14/18
1 DECIMAL PLACE	ENG. REL. NO.	EAR 14575	
2 DECIMAL PLACES ±0.25	REF.		
3 DECIMAL PLACES	THIRD ANGLE PROJECTION		DO NOT SCALE DRAWING
ANGULAR DEGREES			

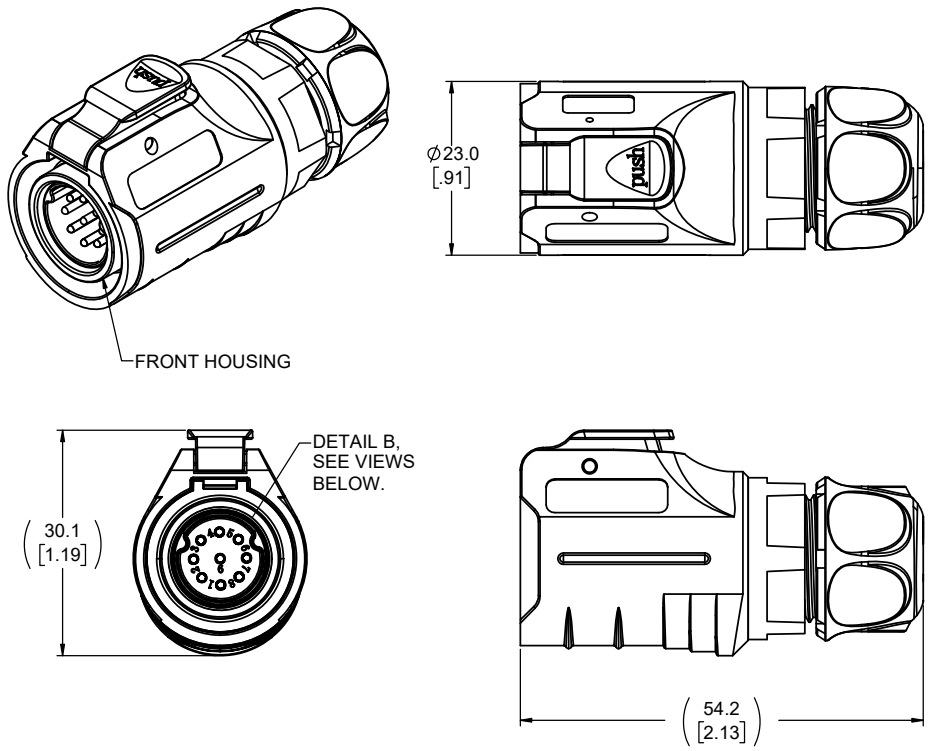
<b>Amphenol Canada Corp.</b> Commercial Products
MRD SERIES RUGGED CABLE END CONNECTOR, MALE OR FEMALE, 2-5 & 7-9 POSITIONS, LATCH LOCK, FIELD ASSEMBLY, IP67 RATING, RoHS COMPLIANT
DWG. NO. <b>P-MRD-BX0X-M1X-000</b>
CODE ID NO. 03554   DWG SIZE: X   SCALE: 2:1   SHEET 2 OF 3

REVISIONS			
REV	DESCRIPTION, ECN, EAR NO.	DATE	APP'D
F	PRODUCT DRAWING (EAR 15057)	FEB7/22	K.L.

**FEMALE WITH PIN CONTACTS**



**MALE WITH PIN CONTACTS**



**END VIEWS FOR PIN CONTACT MATING AREA**

DETAIL B VIEW (SCALE 3:1)							
NUMBER OF CONTACTS	2	3	4	5	7	8	9

SEE SHEET 1 FOR ORDERING CODE & ADDITIONAL INFORMATION



UNLESS SPECIFIED OTHERWISE	DRAWN	K.XIONG	OCT9/17
PRIMARY UNITS MILLIMETERS	CHECKED	K.LAMBIE	MAR14/18
SECONDARY INCHES	M.E. APP'D		
REFERENCE IN PARENTHESES	Q.A. APP'D		
GENERAL TOLERANCES	DWG APPR.	A.GREEN	MAR14/18
1 DECIMAL PLACE	ENG. REL. NO.	EAR 14575	
2 DECIMAL PLACES ±0.25	REF.		
3 DECIMAL PLACES	THIRD ANGLE PROJECTION		DO NOT SCALE DRAWING
ANGULAR DEGREES			

**Amphenol Canada Corp.**  
Commercial Products

MRD SERIES RUGGED CABLE END CONNECTOR, MALE OR FEMALE, 2-5 & 7-9 POSITIONS, LATCH LOCK, FIELD ASSEMBLY, IP67 RATING, RoHS COMPLIANT

DWG. NO. **P-MRD-BX0X-M1X-000** REV **F**

CODE ID NO. 03554 | DWG SIZE: X | SCALE: 2:1 | SHEET 3 OF 3