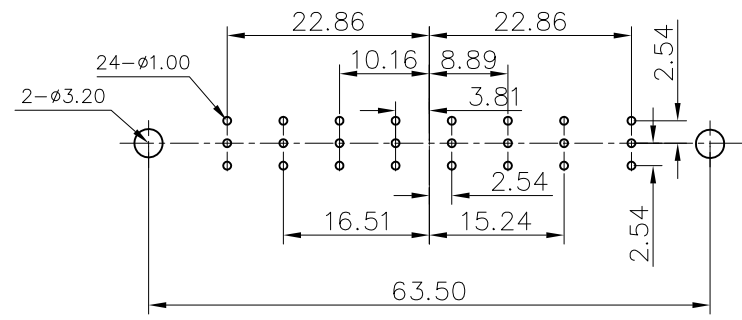
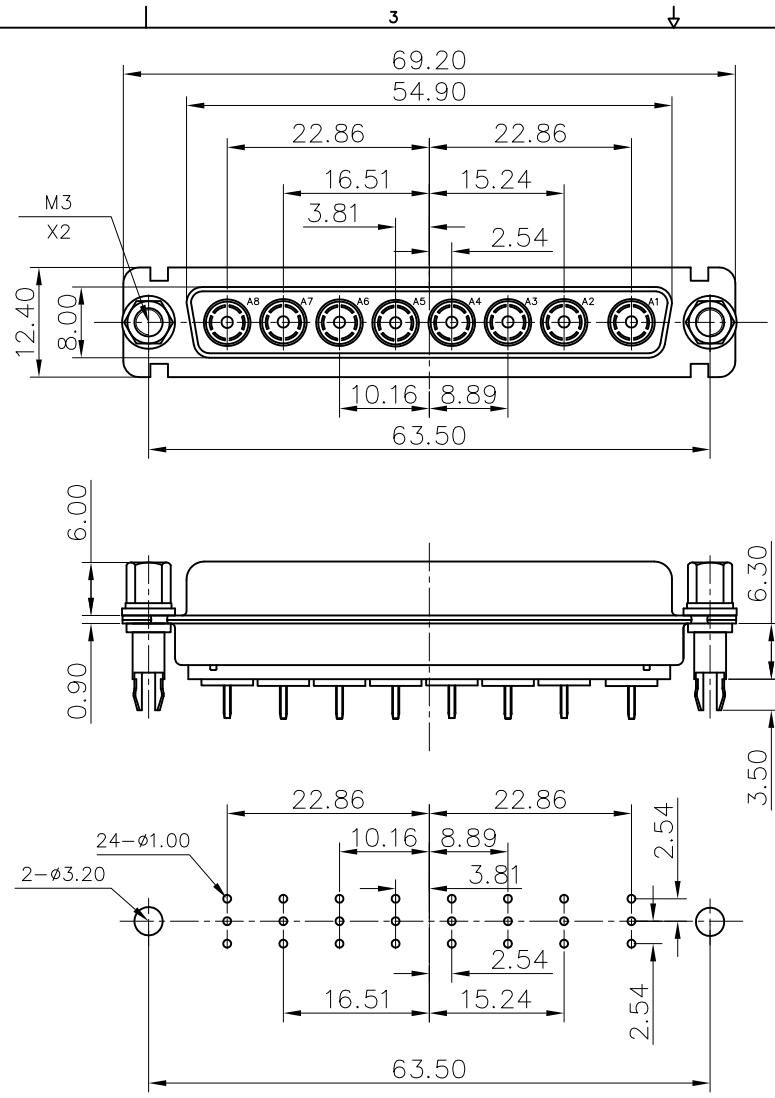


This document is the property of Amphenol Corporation and is delivered on the express condition that it is not to be disclosed, reproduced or used, in whole or in part, for manufacture or sale by anyone other than Amphenol Corporation without its prior consent, & that no right is granted to disclose or to use any information in this document.



RECOMMENDED P.C.B LAYOUT
(TOLERANCE +/-0.05)



Customer Drawing

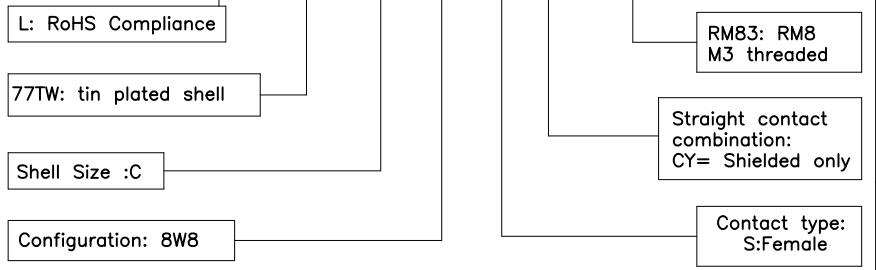
REVISIONS				
SYM	ECN	DESCRIPTION	DATE	APPROVED
1	HK--	First Release Drawing	12/29/17	IP

D-SUB TECHNICAL DATA

SHELL : Steel, 2.5um(100u") min tin over 1.25um(50u") min nickel
 BODY : Glass filled thermoplastic.
 Flame retardant to UL94 V-0, Color black
 CONTACTS : Shielded contacts: 0.40um(15u") min gold on center contact.
 over 1.25um(50u") min nickel
 Body: 0.2um(8u") min gold over 1.25um(50u") min nickel
 Insulator: PTFE,UL94V-0,Color Nature
 BOARDLOCK : Bronze,100u" min tin over 50u" min nickel
 SCREWLOCK : Steel,100u" min tin over 50u" min nickel
 WASHER : Steel,100u" min tin over 50u" min nickel
 ELECTRICAL : Voltage rating: 150V RMS at 50Hz
 Current rating 0.5A
 Withstanding Voltage 1000V AC at 50 Hz for one minute
 Insulation resistance >5000 MOhms
 Contact resistance 20 mOhms max.
 CLIMATIC : Temperature range -55°C up to +155°C
 Damp heat 56 days(40°C-95% HR)
 MARKING : Amphenol-...(Series No.)
 Manufacturing date
 Commercial reference

PRODUCT CODE

L 77TW C 8W8 S CY RM83



UNLESS OTHERWISE SPECIFIED TOLERANCES		APPROVAL		DATE
U.S.	METRIC	DRAWN	FILED	12/29/17
.X +/-	0.50			
.XX +/-	0.30			
.XXX +/-	0.20			
FRACTIONS +/-	5'			
ANGLES +/-				
FOR MATERIALS AND FINISHES SEE NOTES		DRAWING FILE :		
REMOVE SHARP EDGES		ANGLE OF PROJECTION		
DIMENSIONS				
U.S. INCHES				
METRIC MM				

Amphenol		
TITLE		
Hybrid D-SUB connectors, TW series		
SIZE	DRAWING NO.	REV.
A4	L77TWC8W8SCYRM83	1
SCALE	NONE	SHEET 1 OF 1