

This document is the property of Amphenol Corporation and is delivered in confidence. It is not to be reproduced or used by anyone other than the recipient for the purpose intended. If you are not the intended recipient, you should not disseminate or to use any information in this document.

Customer drawing

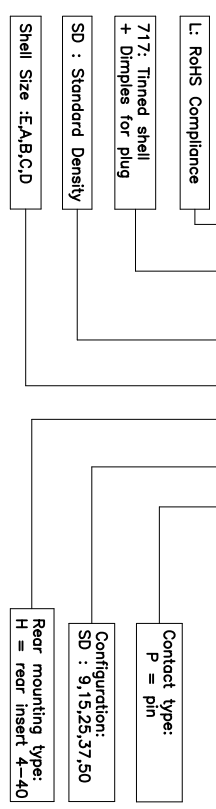
REVISONS				
SNW	ECN	DESCRIPTION	DATE	APPROVED
1	HK--	First Release Drawing	06/10/09	IP
2	HK--	update drawing	07/21/14	IP
3	HK--	update drawing	08/12/19	IP

D-SUB TECHNICAL DATA

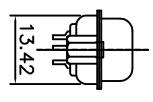
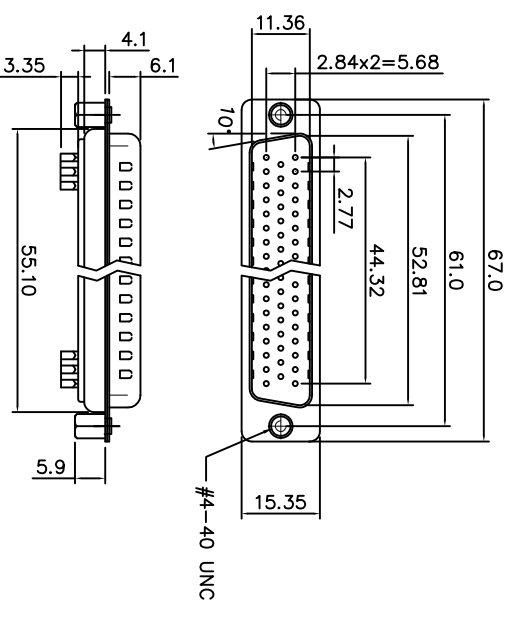
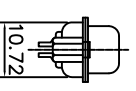
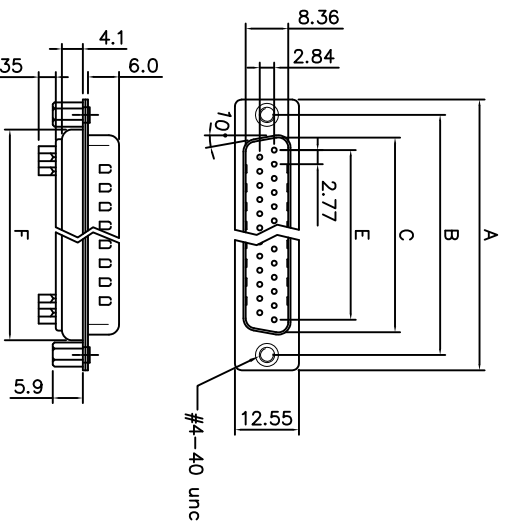
SHELL : Steel, 100u" Tin Over 50u" min nickel over 50u" min Copper
 BODY : Glass-Filled Thermoplastic PBT, UL94V-0, color Black
 CONTACTS : Copper alloy
 Gold Flash over 50u" Nickel on mating area
 100u" Tin over 50u" Nickel on solder area
 REAR NUT: Brass, Nickel Plated
 ELECTRICAL : Voltage rating 250 V Rms
 Current Rating :.3 AMP
 Withstanding Voltage : 500 V AC/rms
 Insulation resistance : 1000 MΩ min
 Contact resistance 20 mΩ max
 MARKING : Amphenol...(Series No.)
 Commercial reference
 Manufacturing date

PRODUCT CODE

L 717 SDX HXX P



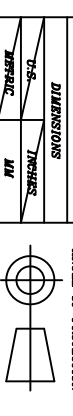
Positions	A	B	C	E	F
9	30.81	24.99	16.92	11.08	19.20
15	39.20	33.30	25.25	19.39	27.70
25	53.04	47.04	38.96	33.24	41.10
37	69.40	63.50	55.42	49.86	57.30



50 Positions

UNLESS OTHERWISE SPECIFIED		APPROVAL		DATE	
TOLERANCES	U.S.	METRIC	DRAWN	CHKD	DATE
XX +/-	0.50	0.30	Am/Am	Am/Am	06/10/09
XXX +/-	0.30	0.20	Am/Am	Am/Am	07/21/14
ANGLES +/-	5°				

Amphenol
 Amphenol East Asia Limited
 TITLE : D-sub,Solder cup,SD Series
 SIZE: DRAWING NO. : L717SDXHXXP
 SCALE : NONE
 SHEET 1 OF 1



SIZE: DRAWING NO. : L717SDXHXXP
 SCALE : NONE
 SHEET 1 OF 1