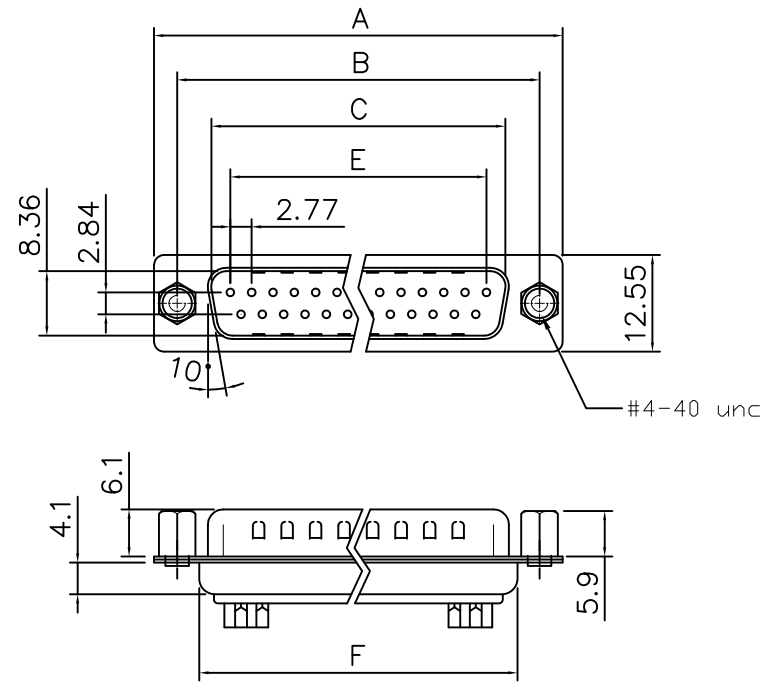


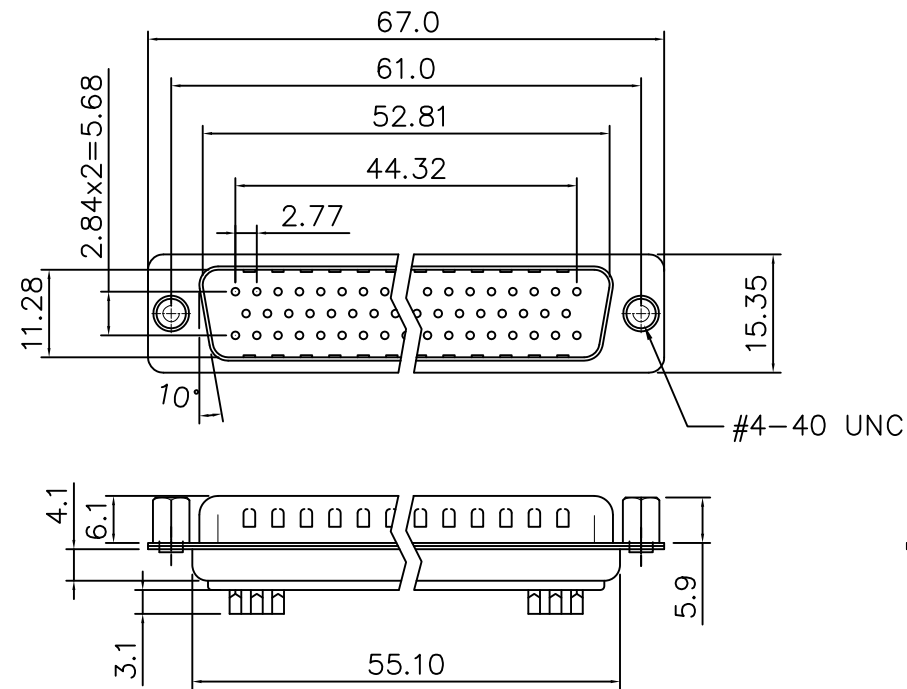
This document is the property of Amphenol Corporation and is delivered on the express condition that it is not to be disclosed, reproduced or used, in whole or in part, for manufacture or sale by anyone other than Amphenol Corporation without its prior consent, & that no right is granted to disclose or to use any information in this document.

Customer Drawing



Dimensions

Positions	A	B	C	E	F
09	30.81	24.99	16.92	11.08	19.20
15	39.20	33.30	25.25	19.39	27.70
25	53.04	47.04	38.96	33.24	41.10
37	69.40	63.50	55.42	49.86	57.30



50 POSITIONS



REVISIONS				
SYM	ECN	DESCRIPTION	DATE	APPROVED
1	HK--	First Release Drawing	12/26/16	IP

D-SUB TECHNICAL DATA

SHELL : Steel, 100u" min Tin over 50u" min Nickel over 50u" min Copper

BODY : Glass-Filled Thermoplastic PBT, UL94V-0, color Black

CONTACTS : Copper alloy
30u" Gold over 50u" Nickel on mating area
100u" Tin over 50u" Nickel on solder area

SCREWLOCK: Brass, Nickel Plated

ELECTRICAL : Voltage rating 250 V Rms
Current Rating 3 AMP
Withstanding Voltage 1000 V AC/rms
Insulation resistance 1000 MΩ min
Contact resistance 20 mΩ max

MARKING : Amphenol...(Series No.)
Commercial reference
Manufacturing date

PRODUCT CODE

L 717 SD X XX P VF C309

L: RoHS Compliant

717: tinned shell + dimples for plug

SD: standard density

Shell Size : E,A,B,C,D

C309: 30u" gold

Front mounting type:
VF:front screwlock
4-40

Contact type:
P: Pin

Configuration:
09,15,25,37,50

UNLESS OTHERWISE SPECIFIED TOLERANCES		APPROVAL		DATE
	U.S.	METRIC	DRAWN	Felicia.Liu
.X	+/-	0.50	CHECKED	Tony.Tang
.XX	+/-	0.30	CHECKED	
.XXX	+/-	0.20		
FRACTIONS	+/-			
ANGLES	+/-	5°		
FOR MATERIALS AND FINISHES SEE NOTES		DRAWING FILE :		
REMOVE SHARP EDGES		ANGLE OF PROJECTION		
DIMENSIONS				
U.S.	INCHES			
METRIC	MM			

Amphenol

TITLE
D-SUB connector, SD Series

SIZE	DRAWING NO.	REV.
A4	L717SDXXXPVFC309	1
SCALE	NONE	SHEET 1 OF 1