

This document is the property of Amphenol Corporation and is delivered on the express condition that it not be disclosed, reproduced or used, in whole or in part, for manufacture or sale by anyone other than Amphenol Corporation without its prior consent, and that no right is granted to disclose or to use any information in this document.

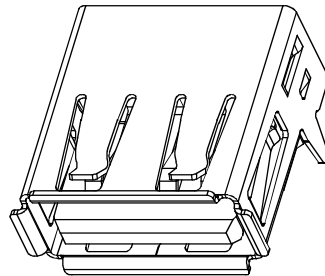
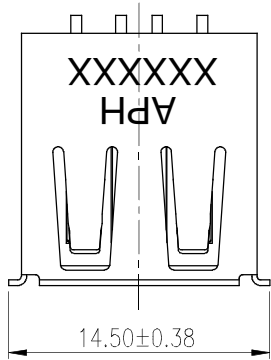
The marking on this product doesn't contain environmental hazardous materials per Material Specification S5-00259 for Sony GP compliant or per directive 2011/65/EU for RoHS compliant.



ORIGINAL

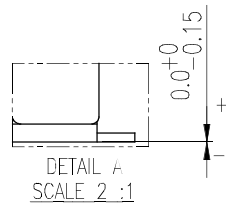
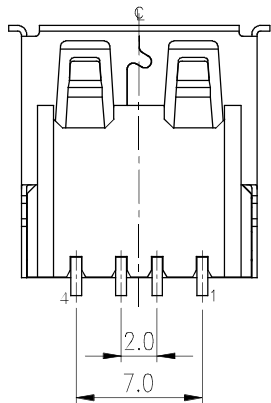
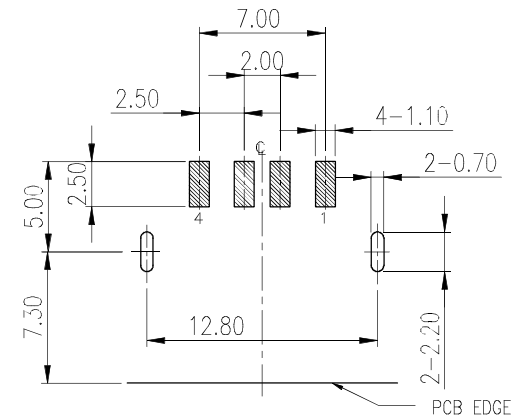
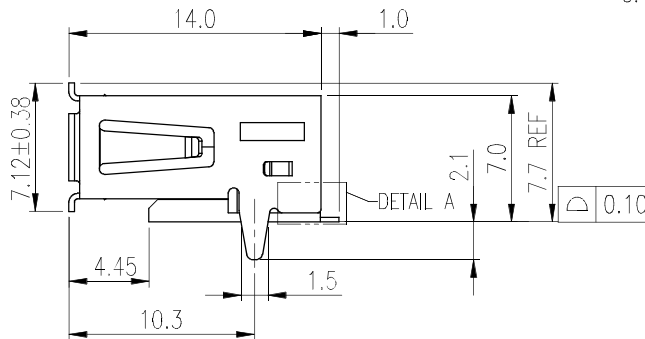
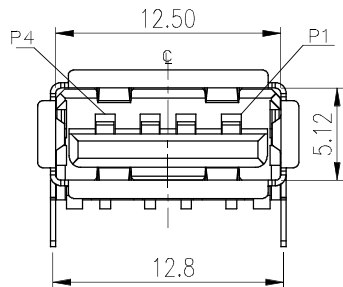


REVISIONS				
SYM	ECN No.	DESCRIPTION	DATE	APPROVED
A	NE-14184	APPROVED REVISION	10/16/2014	Arron Lin



NOTES:

- MATERIAL:
  - HOUSING: HIGH TEMPERATURE THERMAL PLASTIC, HTN, UL94V-0, COLOR: OPTION.
  - TERMINAL: COPPER ALLOY.
  - SHELL: COPPER ALLOY.
- FINISH:
  - TERMINAL: CONTACT AREA: SELECTED GOLD PLATING THICKNESS MIN.; SOLDERING AREA: MATTE TIN PLATING 100 μ" THICKNESS MIN.; UNDER PLATING: NICKEL PLATING 50 μ" THICKNESS MIN. OVERALL. SHELL: NICKEL PLATING 50 μ" THICKNESS MIN. OVERALL.
- PACKING IS PER AMTA PACKING SPECIFICATION PKS-0001.
- THIS PRODUCT DOESN'T CONTAIN ENVIRONMENTAL HAZARDOUS PER DIRECTIVE 2011/65/EU FOR RoHS COMPLIANT.
- PRODUCT SPECIFICATION REFER TO : PS-7329



PART NO. GSB141 X X P3EU  
 CONTACT FINISH: 1: GOLD FLASH, 2: 30 μ" GOLD  
 COLOR: 1: BLACK, 4: YELLOW (107U)

RECOMMENDED PCB LAYOUT  
 TOP VIEW  
 TOLERANCE: ±0.05mm  
 PCB THICKNESS: 1.60±0.05mm

TOLERANCE	APPROVALS	DATE	TITLE			Amphenol®		
X. ±0.30	DRAWN Debby Hung	10/16/2014	GSB SERIES, A TYPE RECEPTACLE, SINGLE PORT REVERSE R/A SMT TYPE			Amphenol Corporation Amphenol Taiwan Corporation		
X.X ±0.20								
X.XX ±0.20	CHECKED Roger Tsai	10/16/2014	UNIT mm SIZE A3 PART No. GSB141XPP3EU			SHEET 1 OF 1 DVG No. GSB141XPP3EU REV. A		
X.XXX ±0.10	APPROVED Arron Lin	10/16/2014						
ANGULAR ±1°	DWG TYPE CUST DWG	PROJECT CODE OTHER	UNLESS OTHERWISE SPECIFIED					

This document is the property of Amphenol Corporation and is delivered on the express condition that it is not to be disclosed, reproduced or used, in whole or in part, for manufacture or sale by anyone other than Amphenol Corporation without its prior consent, and that no right is granted to disclose or to use any information in this document.

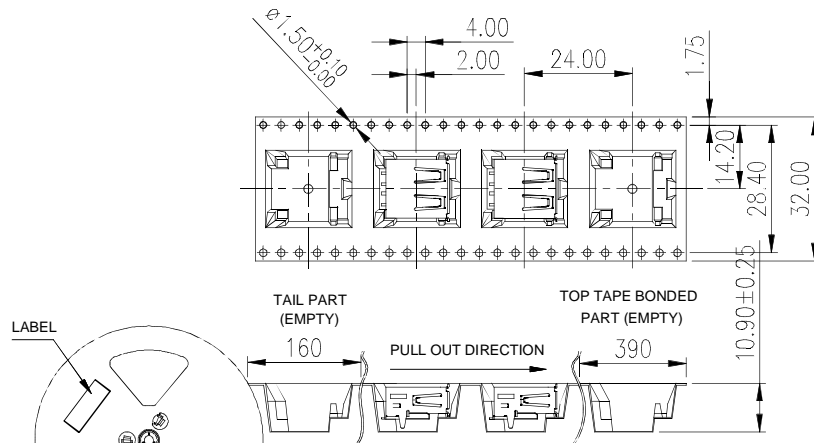
The marking on this product doesn't contain environmental hazardous materials per Material Specification SS-00259 for Sony GP compliant or per directive 2011/65/EU for RoHS compliant.



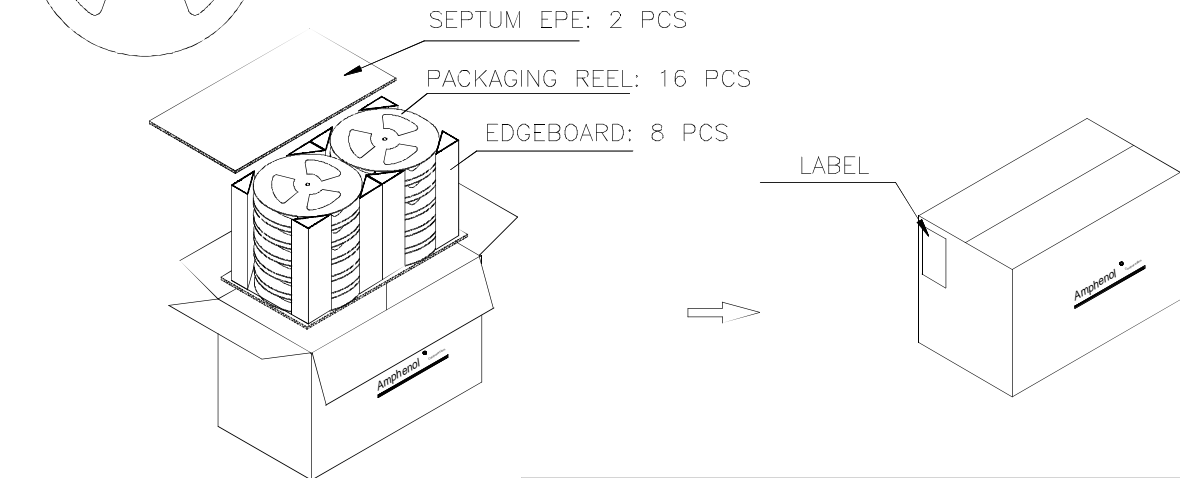
ORIGINAL



REVISIONS				
SYM	ECN No.	DESCRIPTION	DATE	APPROVED
A	NE-14184	APPROVED REVISION	10/16/2014	Arron Lin



NOTES:  
1. SHIPPING CARTON DIMENSION: 690 X 360 X 325mm.



PACKAGING BY TAPE&REEL	15.9	7.1	250	16	4000	GSB141XXP3EU
	G/W KG	N/W KG	PCS/ REEL	REELS/ CARTON	QUANTITY (PCS)	PART NUMBER

TOLERANCE	APPROVALS	DATE	TITLE		
X. X.X ±0.30 X.XX ±0.20 X.XXX ±0.10	DRAWN Debby Hung	10/16/2014	GSB SERIES, A TYPE RECEPTACLE, SINGLE PORT REVERSE R/A SMT TYPE		
	CHECKED Roger Tsai	10/16/2014			
	APPROVED Arron Lin	10/16/2014			
ANGULAR ±1°	DWG TYPE CUST DWG	PROJECT CODE OTHER	UNIT mm	SIZE A3	PART No. GSB141XXP3EU
UNLESS OTHERWISE SPECIFIED			SCALE NA	SHEET 1 OF 1	DWG No. GSB141XXP3EU

**Amphenol**®  
Amphenol Corporation  
Amphenol Taiwan Corporation

