

This document is the property of Amphenol Corporation and is delivered on the express condition that it not be disclosed, reproduced or used, in whole or in part, for manufacture or sale by anyone other than Amphenol Corporation without its prior consent, and that no right is granted to disclose or to use any information in this document.

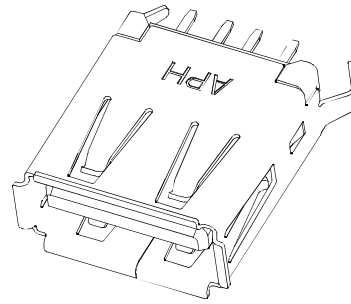
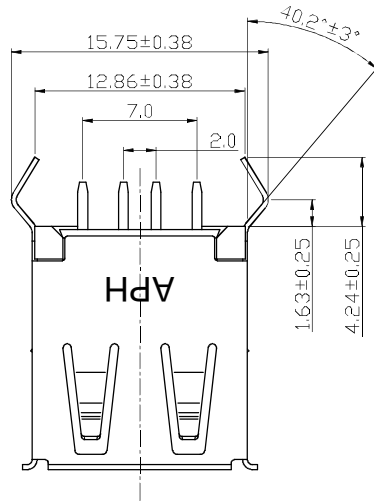
The marking on this product doesn't contain environmental hazardous materials per Material Specification SS-00259 for Sony GP compliant or per directive 2011/65/EU for RoHS compliant.



ORIGINAL

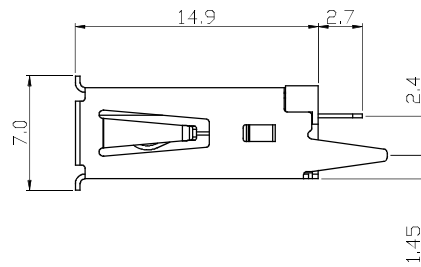
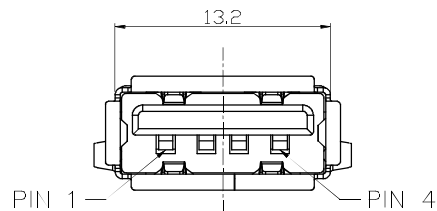


REVISIONS				
SYM	ECN No.	DESCRIPTION	DATE	APPROVED
A	NE-14031	RELEASE FOR RoHS	07/11/2014	Arron Lin



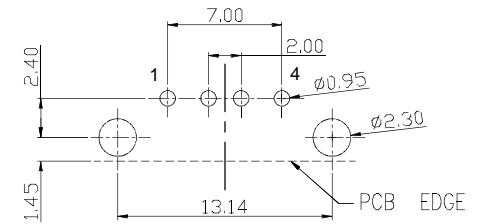
NOTES:

- MATERIAL:
 - HOUSING: HIGH TEMPERATURE THERMAL PLASTIC HTN (NON-HALOGEN FREE), UL94V-0, UL94V-0, COLOR: YELLOW(107U)
 - BOTTOM COVER: HIGH TEMPERATURE THERMAL PLASTIC HTN, UL94V-0, COLOR: YELLOW(107U)
 - TERMINAL: PHOSPHOR BRONZE.
 - SHELL: BRASS.
- FINISH:
 - TERMINAL:
 - CONTACT AREA: SELECTED GOLD PLATING;
 - SOLDERING AREA: TIN PLATING 100 U" THICKNESS MIN.;
 - UNDER PLATING: NICKEL PLATING 50 U" THICKNESS MIN. OVERALL.
 - SHELL:
 - NICKEL PLATING 50 U" THICKNESS MIN. OVERALL.
- PACKING IS PER AMTA PACKING SPECIFICATION PKS-0001.
- THIS PRODUCT DOESN'T CONTAIN ENVIRONMENTAL HAZARDOUS PER DIRECTIVE 2011/65/EU FOR RoHS COMPLIANT.
- PRODUCT SPECIFICATION REFER TO : PS-7329

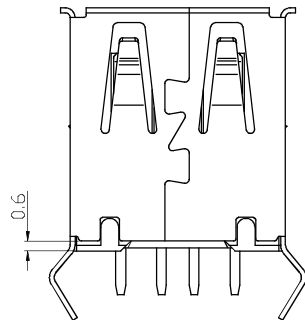


PART NO: GSB111X4KEU

CONTACT FINISH
 1 : FLASH GOLD
 2 : 30u" GOLD
 5 : 15u" GOLD



RECOMMENDED PCB LAYOUT TOP VIEW
 PCB THICKNESS: 1.60±0.05mm
 TOLERANCE: ±0.05mm



TOLERANCE	APPROVALS	DATE	TITLE		Amphenol®	
X. ±0.30	DRAWN Debby Hung	07/11/2014	UNIVERSAL SERIAL BUS RECEPTACLE, SERIES A STANDARD, STRAIGHT PCB MOUNT		Amphenol Corporation Amphenol Taiwan Corporation	
X.X ±0.20	CHECKED Roger Tsai	07/11/2014				
X.XX ±0.10	APPROVED Arron Lin	07/11/2014				
ANGULAR ±1°	DWG TYPE CUST DWG	PROJECT CODE OTHER	UNIT mm	SIZE A3	PART No. GSB111X4KEU	REV. A
UNLESS OTHERWISE SPECIFIED			SCALE NA	SHEET 1 OF 2	DWG No. GSB111X4KEU	

This document is the property of Amphenol Corporation and is delivered on the express condition that it is not to be disclosed, reproduced or used, in whole or in part, for manufacture or sale by anyone other than Amphenol Corporation without its prior consent, and that no right is granted to disclose or to use any information in this document.

The marking on this product doesn't contain environmental hazardous materials per Material Specification SS-00259 for Sony GP compliant or per directive 2011/65/EU for RoHS compliant.

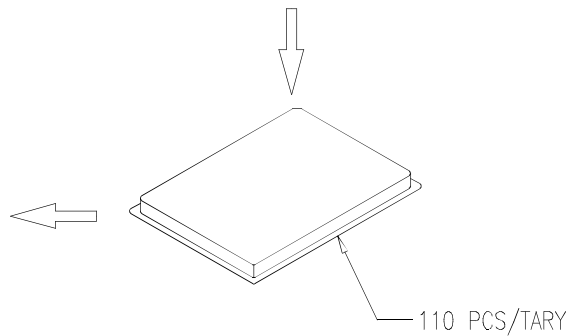
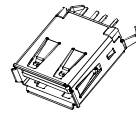
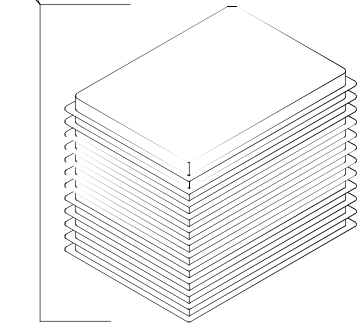


ORIGINAL



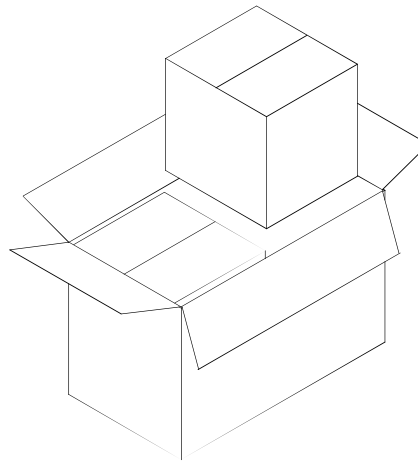
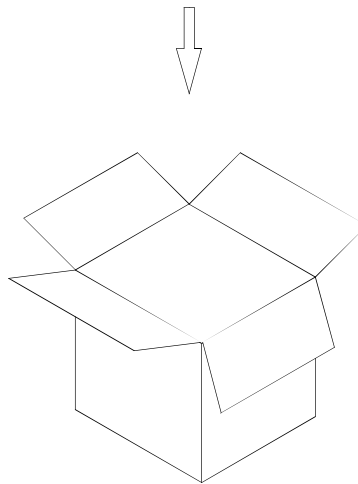
REVISIONS				
SYM	ECN No.	DESCRIPTION	DATE	APPROVED
A	NE-14031	RELEASE FOR RoHS	07/11/2014	Arron Lin

29 PCS TRAY/CARTON

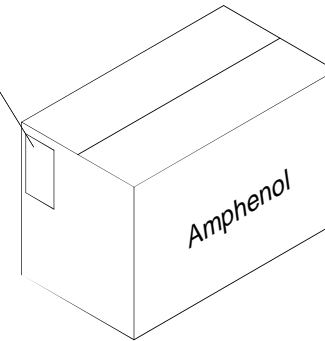


NOTES:

1. STAPLES SHOULD ONLY BE USED TO SET UP CARTON. ALL CARTON CLOSURES MUST BE DONE WITH TAPE.
2. FILL PACKAGING TRAYS WITH THE QUANTITIES AS INDICATED IN THE CHART.
3. SHIPPING CARTON DIMENSION: 520 X 273 X 310 MM.
4. TRAY SIZE: 230mm X 220mm X 10 mm



LABEL



PACKAGING BY TRAY	14.8	13.3	110	58	6380	GSB111X4KEU
	G/W KG	N/W KG	PCS/TRAY	TRAY/CARTON	QUANTITY (PCS)	PART NUMBER

TOLERANCE	APPROVALS	DATE	TITLE		PART No.		
X. ±0.30	DRAWN Debby Hung	07/11/2014	USB , SERIES A UPRIGHT , RIGHT-ANGLE PCB MOUNT		Amphenol ® Amphenol Corporation Amphenol Taiwan Corporation		
X.X ±0.20	CHECKED Roger Tsai	07/11/2014					
X.XX ±0.10	APPROVED Arron Lin	07/11/2014					
ANGULAR ±1°	DWG TYPE CUST DWG	PROJECT CODE OTHER		UNIT mm	SIZE A3	PART No. GSB111X4KEU	
UNLESS OTHERWISE SPECIFIED				SCALE NA	SHEET 2 OF 2	DWG No. GSB111X4KEU	REV. A