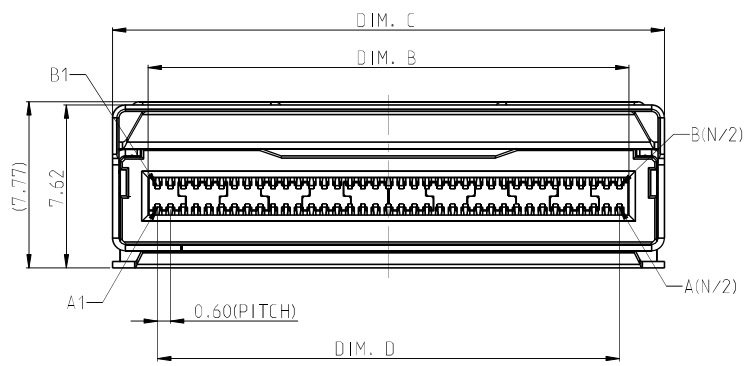


This document is the property of Amphenol Corporation and is delivered on the express condition that it is not to be disclosed, reproduced or used, in whole or in part, for manufacture or sale by anyone other than Amphenol Corporation without its prior consent, and that no right is granted to disclose or to use any information in this document.

The marking on this product doesn't contain environmental hazardous materials per directive 2011/65/EU & 2015/863/EU for RoHS compliant & per IEC 61249-2-21 for Halogen-Free compliant.

REVISIONS				
SYM	ECN No.	DESCRIPTION	DATE	BY
AX15	NA	ADDED SPEC OF 50 POS	04/08/2020	JOAN LU
AX16	NA	MODIFY DRAWING	09/11/2020	JOAN LU
AX17	NA	1. LATCH HOLE LOCATION CHANGE FROM 1.30mm TO 1.15mm 2. RECOMMENDED ATT. MATING CARD CHAMFER CHANGE FROM CO.75 TO CO.3	12/15/2020	JOAN LU



MINI COOL EDGE IO INTEGRATED CONNECTOR
 VERTICAL TYPE
 CONNECTOR SPEED
 1 : PCIE GEN 4
 2 : PCIE GEN 5

CHANNEL/PIN QTY
 1: 38P(4X+SIDE BAND OR 6X)
 2: 74P(8X+SIDE BAND OR 12X)
 4: 124P(16X+SIDE BAND OR 20X)
 5: 50P(6X+SIDE BAND OR 8X)
 6: 148P(20X+SIDE BAND OR 24X)
 7: 84P(8X+SIDE BAND OR 13X+SIDE BAND)

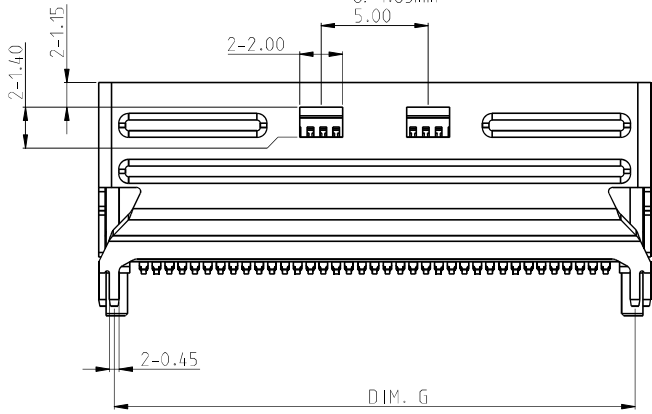
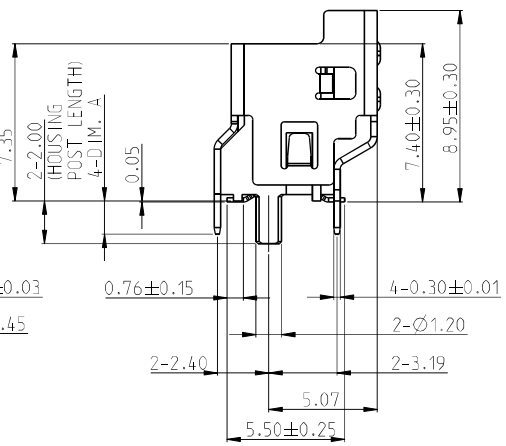
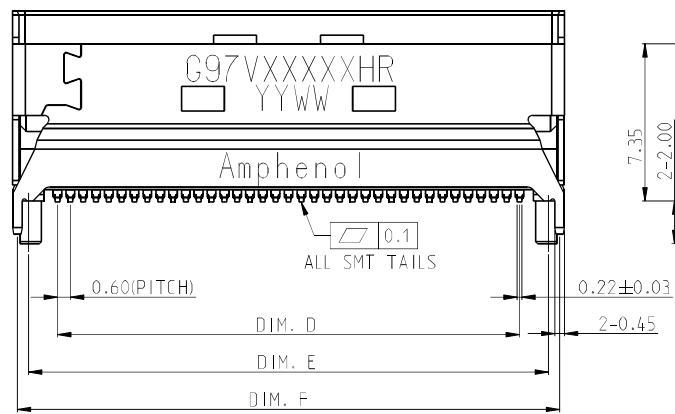
CONTACT FINISH
 2: 15u" GOLD
 3: 30u" GOLD

COMPLIANT CODE
 HR: HALOGEN-FREE & RoHS

VARIATION CODE
 BLANK: STANDARD

PACKING CODE
 2: TAPE AND REEL(WITH CAP)
 3: TAPE AND REEL(W/O PICK UP)
 4: TAPE AND REEL (WITH MYLAR, FOR G97VX7XX4HR ONLY)

SHELL PIN LENGTH OPTION(DIM.A)
 1: 1.50mm
 2: 2.20mm
 3: 3.00mm
 4: 4.20mm
 5: 1.20mm(SHELL PIN AND HOUSING POST)
 6: 1.85mm
 5.00



PART NUMBER	POS. (N)	DIM. B	DIM. C	DIM. D	DIM. E	DIM. F	DIM. G
G97VX1XXXXHR	38	11.68	15.00	10.80	13.50	14.55	13.55
G97VX5XXXXHR	50	15.28	18.60	14.40	17.10	18.15	17.15
G97VX2XXXXHR	74	22.48	25.80	21.60	24.30	25.35	24.35

NOTES:
 1. MATERIALS:
 PLASTICS : HIGH TEMPERATURE THERMOPLASTIC UL94-0,COLOR: BLACK
 SHELL : STAINLESS
 CONTACT: COPPER ALLOY
 2: FINISH
 TERMINAL : CONTACT AREA : SELECTED GOLD PLATING.
 SOLDER AREA : MATTE TIN PLATING 100u"
 UNDER PLATING: NICKEL PLATING 50u"MIN OVER ALL
 SHELL : UNDER PLATING: ELECTROLESS NICKEL PLATING 50u"MIN OVER ALL
 3.THIS PRODUCT DOESN'T CONTAIN ENVIROMENTAL HAZARDOUS MATERIALS PER DERCTIVE 2011/65/EC & 2015/863/EU FOR RoHS AND PER IEC 61249-2-21 FOR HALOGEN FREE.
 4.PRODUCT SPEC REFER TO PS-7755

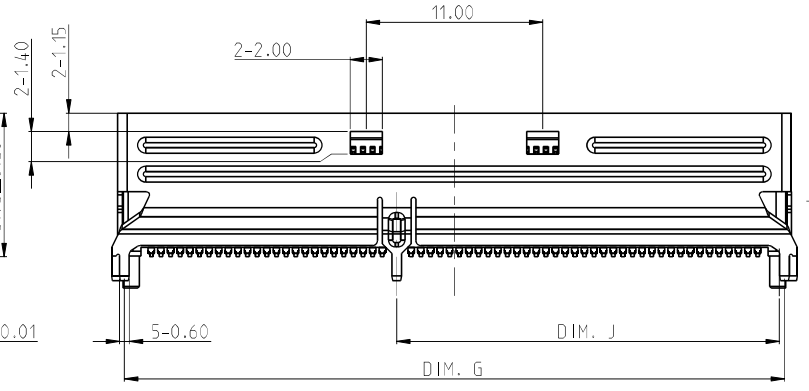
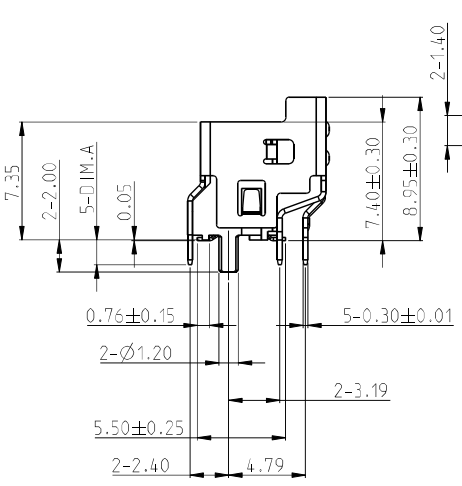
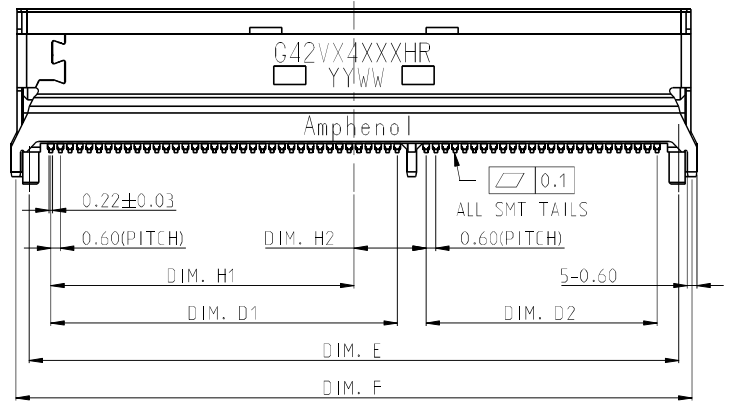
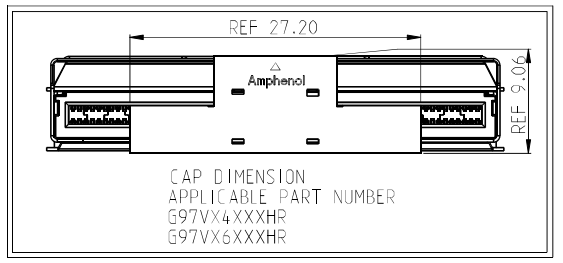
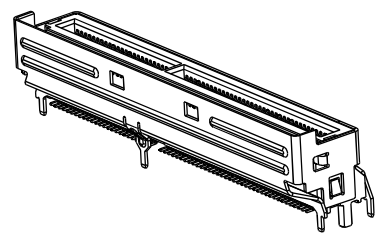
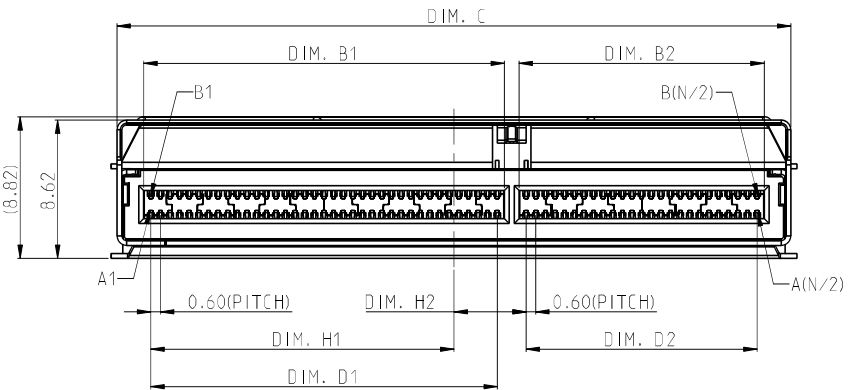
TOLERANCE	DRAWN	APPROVALS	DATE	TITLE	UNIT	SIZE	PART No.
X. X.X X.XX X.XXX ±0.30 ±0.20 ±0.10	DESIGNED	Joan Lu	12/15/2020	MINI COOL EDGE IO INTEGRATED CONNECTOR 0.6 PITCH, VERTICAL FOR PCIE. SMT TYPE	mm	A3	G97VXXXXXXHR
ANGULAR ±2°	CHECKED	Sondra Sang	12/15/2020		SCALE	1 OF 12	DWG No. G97VXXXXXXHR
UNLESS OTHERWISE SPECIFIED	APPROVED	Hank Hsu	12/15/2020		PROJECT CODE	REV.	AX17
	DWG TYPE	CUST DWG	TXXX				

Amphenol®
 Amphenol Corporation
 Amphenol Taiwan Corporation

This document is the property of Amphenol Corporation and is delivered on the express condition that it is not to be disclosed, reproduced or used, in whole or in part, for manufacture or sale by anyone other than Amphenol Corporation without its prior consent, and that no right is granted to disclose or to use any information in this document.

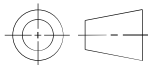
The marking on this product doesn't contain environmental hazardous materials per directive 2011/65/EU & 2015/863/EU for RoHS compliant & per IEC 61249-2-21 for Halogen-Free compliant.

REVISIONS				
SYM	ECN No.	DESCRIPTION	DATE	BY
AX15	NA	ADDED SPEC OF 50 POS	04/08/2020	JOAN LU
AX16	NA	MODIFY DRAWING	09/11/2020	JOAN LU
AX17	NA	1. LATCH HOLE LOCATION CHANGE FROM 1.10mm TO 1.15mm 2. RECOMMENDED ATE MATING CARD CHAMFER CHANGE FROM 0.75 TO 0.3	12/15/2020	JOAN LU



PART NUMBER	POS. (N)	DIM. B1	DIM. B2	DIM. C	DIM. D1	DIM. D2	DIM. E	DIM. F	DIM. G	DIM. H1	DIM. H2	DIM. J
G97VX4XXXHR	124	22.48	15.28	42.00	21.60	14.40	40.50	42.15	41.15	18.90	4.50	23.85
G97VX6XXXHR	148	22.48	22.48	49.20	21.60	21.60	47.70	49.35	48.35	22.50	0.90	23.85

TOLERANCE	APPROVALS	DATE	TITLE	Amphenol® Amphenol Corporation Amphenol Taiwan Corporation					
X. ±0.30	DESIGNED Joan Lu	12/15/2020	MINI COOL EDGE IO INTEGRATED CONNECTOR 0.6 PITCH, VERTICAL FOR PCIE. SMT TYPE	UNIT	mm				
X.X ±0.20	CHECKED Sondra Sang	12/15/2020		SIZE	A3				
X.XXX ±0.10	APPROVED Hank Hsu	12/15/2020		SCALE	NA				
ANGULAR ±2°	DWG TYPE CUST DWG	PROJECT CODE TXXX	UNIT	mm	SIZE	A3	PART No.	G97VXXXXXXHR	
UNLESS OTHERWISE SPECIFIED			SCALE	NA	SHEET	3 OF 12	DWG No.	G97VXXXXXXHR	
							REV.	AX17	



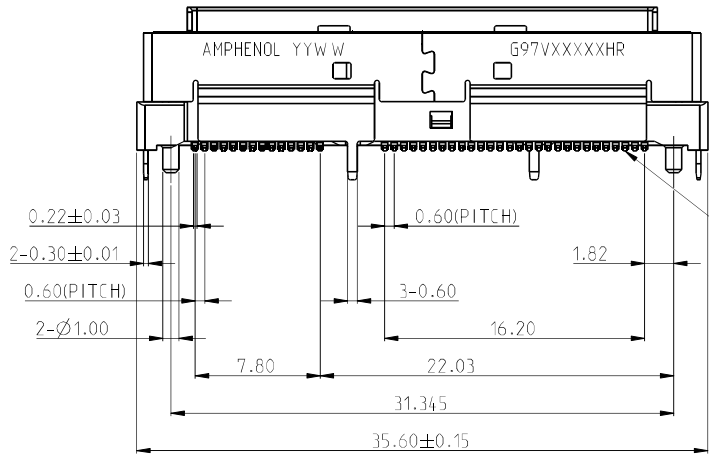
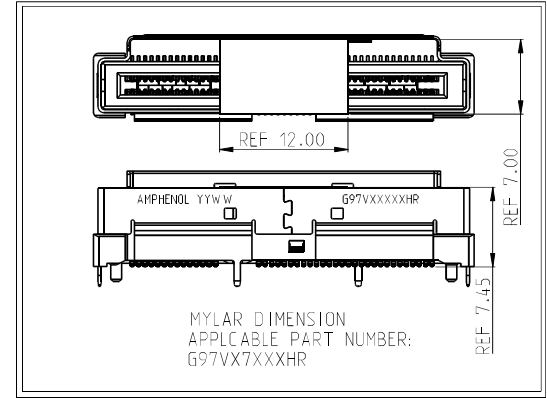
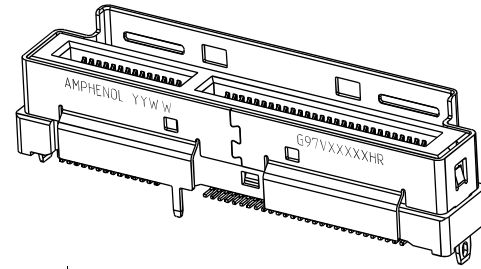
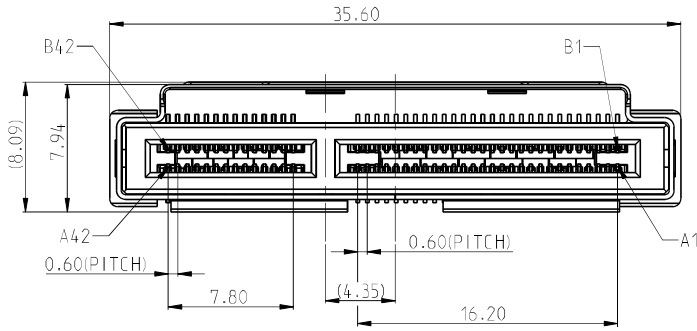
This document is the property of Amphenol Corporation and is delivered on the express condition that it is not to be disclosed, reproduced or used, in whole or in part, for manufacture or sale by anyone other than Amphenol Corporation without its prior consent, and that no right is granted to disclose or to use any information in this document.

The marking on this product doesn't contain environmental hazardous materials per directive 2011/65/EU & 2015/863/EU for RoHS compliant & per IEC 61249-2-21 for Halogen-Free compliant.

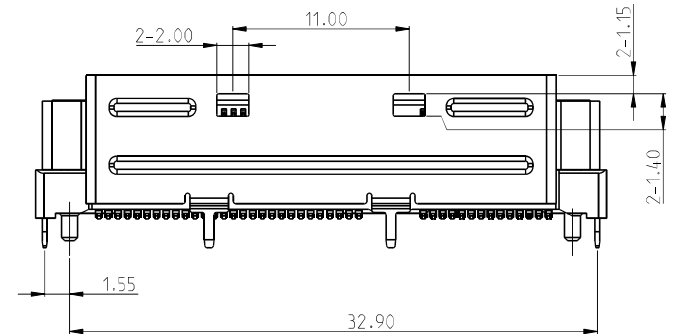
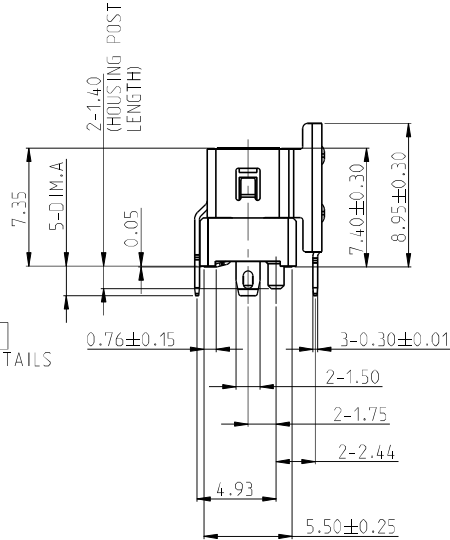
REVISIONS				
SYM	ECN No.	DESCRIPTION	DATE	BY
AX15	NA	ADDED SPEC OF 50 POS	04/08/2020	JOAN LU
AX16	NA	MODIFY DRAWING	09/11/2020	JOAN LU
AX17	NA	1. LATCH HOLE LOCATION CHANGE FROM 1.30mm TO 1.15mm 2. RECOMMENDED ATE MATING CARD CHAMFER CHANGE FROM C0.25 TO C0.3	12/15/2020	JOAN LU



G97VX7XXXXHR



0.1 ALL SMT TAILS



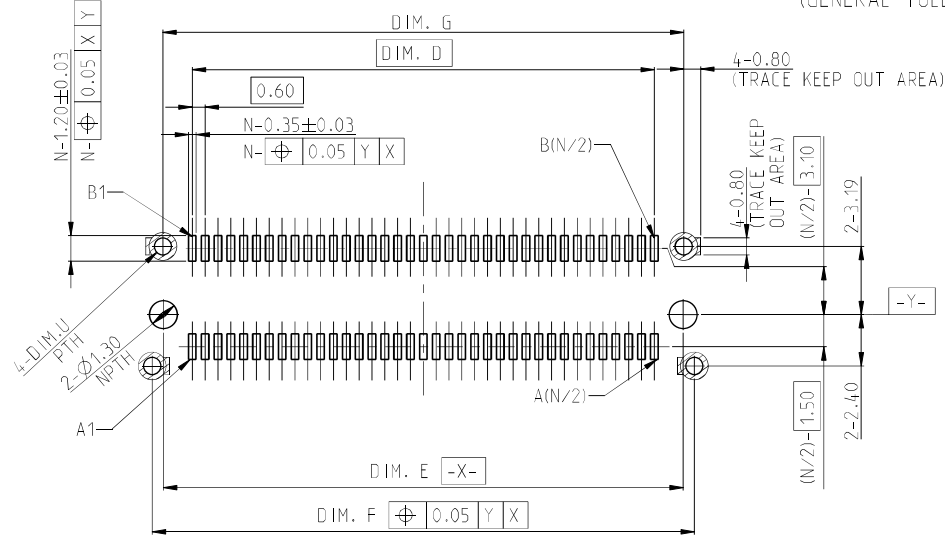
TOLERANCE	DRAWN APPROVALS	DATE	TITLE	Amphenol®		
X. ±0.30	DESIGNED Joan Lu	12/15/2020	MINI COOL EDGE IO INTEGRATED CONNECTOR 0.6 PITCH, VERTICAL FOR PCIE, SMT TYPE	Amphenol Corporation Amphenol Taiwan Corporation		
X.XX ±0.20	CHECKED Sondra Sang	12/15/2020				
X.XXX ±0.10	APPROVED Hank Hsu	12/15/2020				
ANGULAR ±2°	DWG TYPE CUST DWG	PROJECT CODE TXXX		UNIT MM	SIZE A3	PART No. G97VX7XXXXHR
UNLESS OTHERWISE SPECIFIED			SCALE NA	SHEET 4 OF 12	DWG No. G97VX7XXXXHR	REV. AX17

This document is the property of Amphenol Corporation and is delivered on the express condition that it is not to be disclosed, reproduced or used, in whole or in part, for manufacture or sale by anyone other than Amphenol Corporation without its prior consent, and that no right is granted to disclose or to use any information in this document.

The marking on this product doesn't contain environmental hazardous materials per directive 2011/65/EU & 2015/863/EU for RoHS compliant & per IEC 61249-2-21 for Halogen-Free compliant.

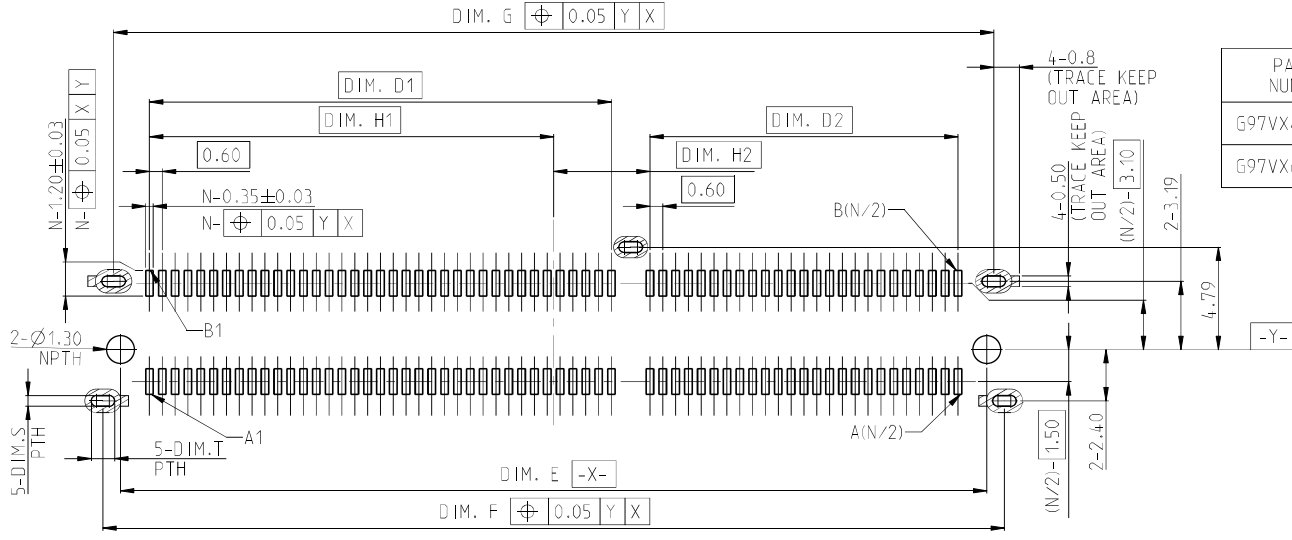
REVISIONS				
SYM	ECN No.	DESCRIPTION	DATE	BY
AX15	NA	ADDED SPEC OF 50 POS	04/08/2020	JOAN LU
AX16	NA	MODIFY DRAWING	09/11/2020	JOAN LU
AX17	NA	1. LATCH HOLE LOCATION CHANGE FROM 1.10mm TO 1.15mm 2. RECOMMENDED ATC MATING CARO CHAMFER CHANGE FROM CO.75 TO CO.3	12/15/2020	JOAN LU

RECOMMENDED PCB LAYOUT
(GENERAL TOLERANCES :+/-0.05)



PART NUMBER	POS. (N)	DIM. D	DIM. E	DIM. F	DIM. G
G97VX1XXXXHR	38	10.80	13.50	14.55	13.55
G97VX5XXXXHR	50	14.40	17.10	18.15	17.15
G97VX2XXXXHR	74	21.60	24.30	25.35	24.35

PART NUMBER (APPLY TO 38P/74P)	DIM. U
G97VXXX1XHR	0.8
G97VXXX2XHR	
G97VXXX3XHR	
G97VXXX4XHR	0.95



PART NUMBER	POS. (N)	DIM. D1	DIM. D2	DIM. E	DIM. F	DIM. G	DIM. H1	DIM. H2
G97VX4XXXXHR	124	21.60	14.40	40.50	42.15	41.15	18.90	4.50
G97VX6XXXXHR	148	21.60	21.60	47.70	49.35	48.35	22.50	0.90

PART NUMBER	POS. (N)	DIM. S	DIM. T
G97VX4XX1XHR	124	0.5	1.1
G97VX4XX2XHR			
G97VX4XX3XHR			
G97VX4XX4XHR	148	0.65	1.3
G97VX6XXXXHR			

TOLERANCE	APPROVALS	DATE
X. ±0.30	DESIGNED Joan Lu	12/15/2020
X.X ±0.20	CHECKED Sondra Sang	12/15/2020
X.XX ±0.10	APPROVED Hank Hsu	12/15/2020
ANGULAR ±2°	DWG TYPE CUST DWG	PROJECT CODE T631

TITLE
MINI COOL EDGE 10
INTEGRATED CONNECTOR
0.6 PITCH, VERTICAL
FOR PCIE, SMT TYPE

UNIT: mm
SCALE: NA

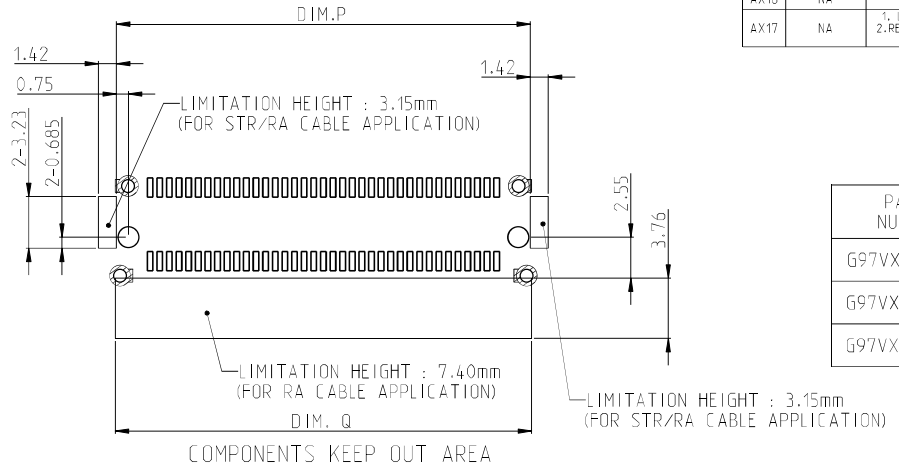
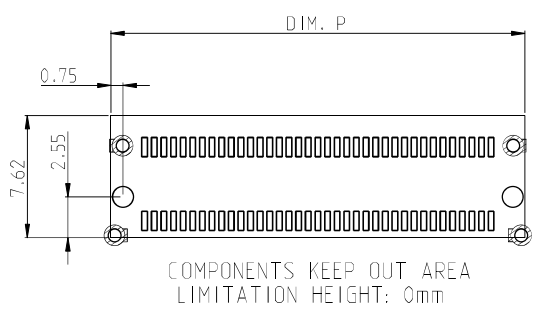
Amphenol®
Amphenol Corporation
Amphenol Taiwan Corporation

PART No. G97VXXXXXHR
SHEET 5 OF 12
DWG No. G97VXXXXXHR
REV. AX17

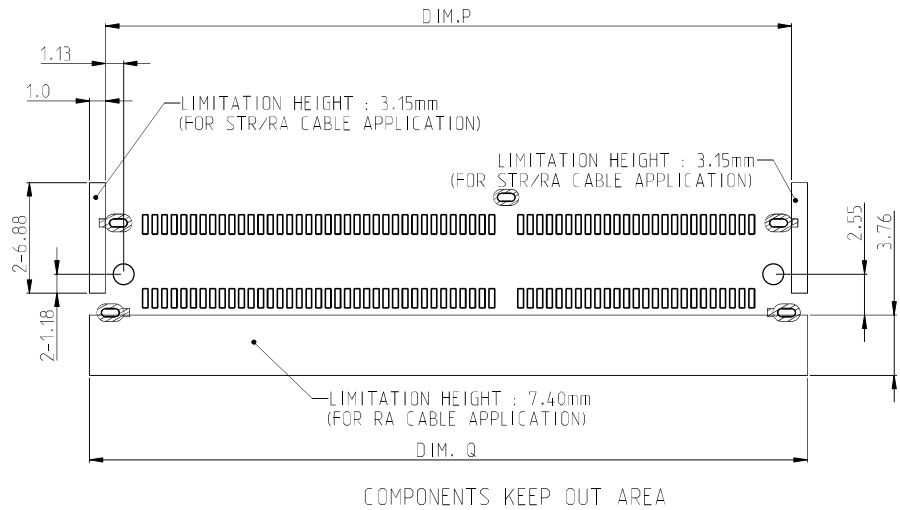
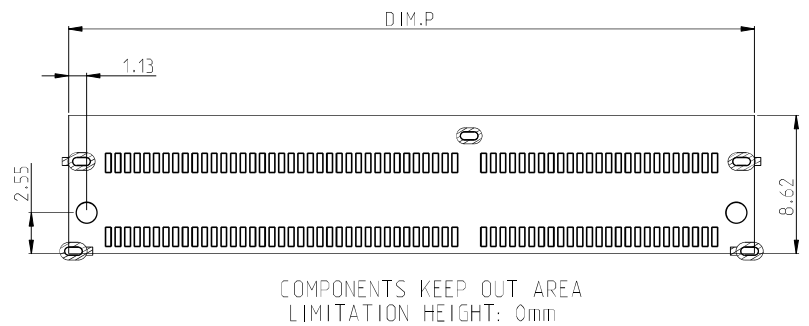
This document is the property of Amphenol Corporation and is delivered on the express condition that it is not to be disclosed, reproduced or used, in whole or in part, for manufacture or sale by anyone other than Amphenol Corporation without its prior consent, and that no right is granted to disclose or to use any information in this document.

The marking on this product doesn't contain environmental hazardous materials per directive 2011/65/EU & 2015/863/EU for RoHS compliant & per IEC 61249-2-21 for Halogen-Free compliant.

REVISIONS				
SYM	ECN No.	DESCRIPTION	DATE	BY
AX15	NA	ADDED SPEC OF 50 POS	04/08/2020	JOAN LU
AX16	NA	MODIFY DRAWING	09/11/2020	JOAN LU
AX17	NA	1. LATCH HOLE LOCATION CHANGE FROM 1.30mm TO 1.15mm 2. RECOMMENDED AIC MATING CARO CHAMFER CHANGE FROM (0.75 TO 1.0.3)	12/15/2020	JOAN LU



PART NUMBER	POS. (N)	DIM. P	DIM. Q
G97VX1XXXXHR	38	15.00	15.15
G97VX5XXXXHR	50	18.60	18.75
G97VX2XXXXHR	74	25.80	25.95



PART NUMBER	POS. (N)	DIM. P	DIM. Q
G97VX4XXXXHR	124	42.75	44.75
G97VX6XXXXHR	148	49.95	51.95



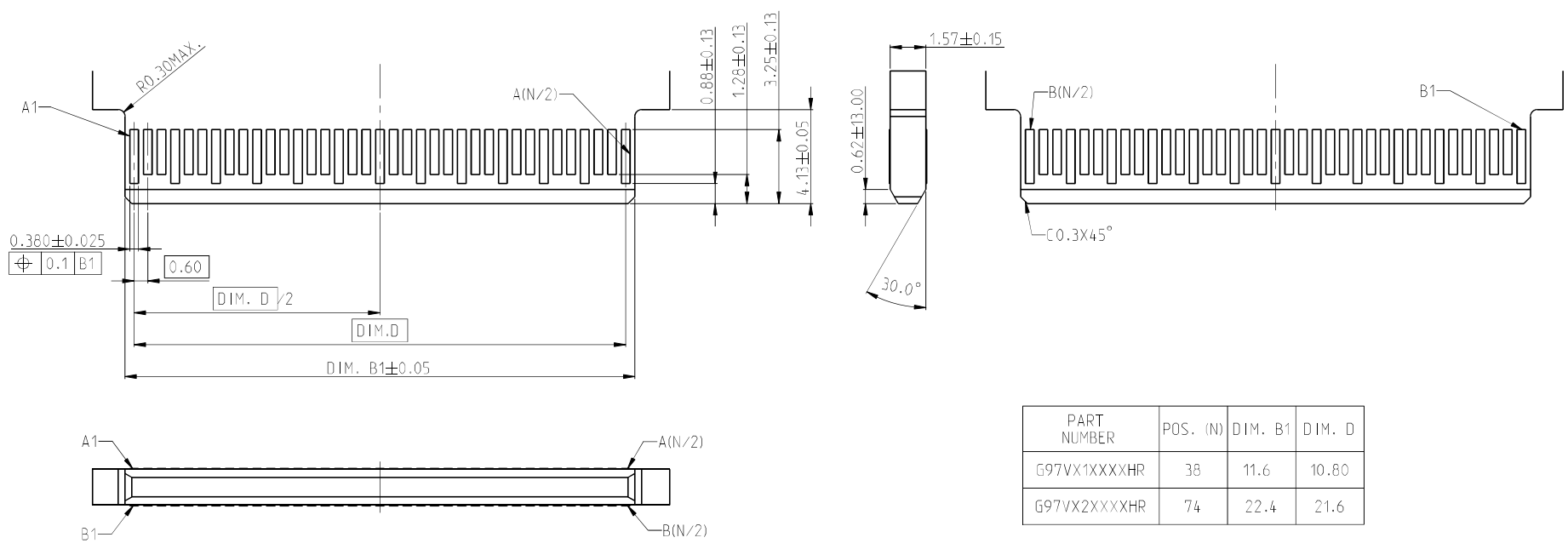
TOLERANCE	DRAWN APPROVALS	DATE	TITLE	Amphenol® Amphenol Corporation Amphenol Taiwan Corporation		
X. ±0.30 X.X ±0.20 X.XX ±0.20 X.XXX ±0.10	DESIGNED Joan Lu	12/15/2020	MINI COOL EDGE IO INTEGRATED CONNECTOR 0.6 PITCH, VERTICAL FOR PCIE, SMT TYPE	UNIT	SIZE	PART No.
ANGULAR ±2°	CHECKED Sondra Sang	12/15/2020		mm	A3	G97VXXXXHR
UNLESS OTHERWISE SPECIFIED	APPROVED Hank Hsu	12/15/2020		SCALE	SHEET	DWG No.
	DWG TYPE CUST DWG	PROJECT CODE T631		NA	6 OF 12	G97VXXXXHR

This document is the property of Amphenol Corporation and is delivered on the express condition that it is not to be disclosed, reproduced or used, in whole or in part, for manufacture or sale by anyone other than Amphenol Corporation without its prior consent, and that no right is granted to disclose or to use any information in this document.

The marking on this product doesn't contain environmental hazardous materials per directive 2011/65/EU & 2015/863/EU for RoHS compliant & per IEC 61249-2-21 for Halogen-Free compliant.

REVISIONS				
SYM	ECN No.	DESCRIPTION	DATE	BY
AX15	NA	ADDED SPEC OF 50 POS	04/08/2020	JOAN LU
AX16	NA	MODIFY DRAWING	09/11/2020	JOAN LU
AX17	NA	1. LATCH HOLE LOCATION CHANGE FROM 1.30mm TO 1.50mm 2. RECOMMENDED AIC MATING CARD CHAMFER CHANGE FROM C0.75 TO C0.3	12/15/2020	JOAN LU

RECOMMENDED AIC MATING CARD DIMENSIONS



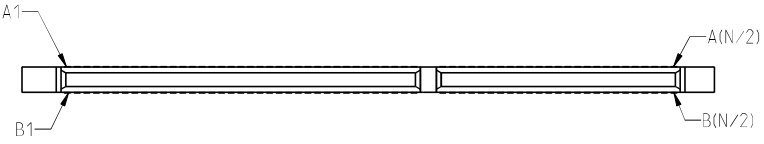
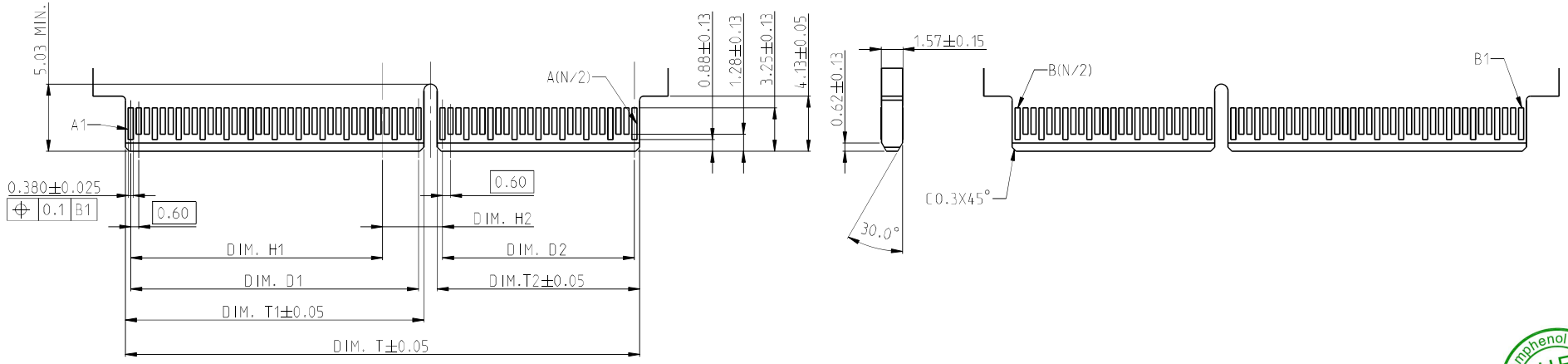
<p>TOLERANCE</p> <p>X. ±0.30</p> <p>X.X ±0.20</p> <p>X.XX ±0.10</p> <p>ANGULAR ±2°</p> <p>UNLESS OTHERWISE SPECIFIED</p>	<p>DRAWN APPROVALS</p> <p>DESIGNED Joan Lu</p> <p>CHECKED Sondra Sang</p> <p>APPROVED Hank Hsu</p> <p>DWG TYPE CUST DWG</p>	<p>DATE</p> <p>12/15/2020</p> <p>12/15/2020</p> <p>12/15/2020</p> <p>PROJECT CODE TXXX</p>	<p>TITLE</p> <p>MINI COOL EDGE IO INTEGRATED CONNECTOR 0.6 PITCH, VERTICAL FOR PCIE, SMT TYPE</p>	<p>UNIT mm</p> <p>SCALE NA</p>	<p>SIZE A3</p> <p>SHEET 8 OF 12</p>	<p>PART No. G97VXXXXXHR</p> <p>DWG No. G97VXXXXXHR</p> <p>REV. AX17</p>
	<p>APPROVALS</p> <p>Joan Lu</p> <p>Sondra Sang</p> <p>Hank Hsu</p>			<p>Amphenol®</p> <p>Amphenol Corporation</p> <p>Amphenol Taiwan Corporation</p>		
	<p>DATE</p> <p>12/15/2020</p>			<p>UNIT mm</p> <p>SCALE NA</p>		
	<p>DWG TYPE CUST DWG</p>			<p>SIZE A3</p> <p>SHEET 8 OF 12</p>		

This document is the property of Amphenol Corporation and is delivered on the express condition that it is not to be disclosed, reproduced or used, in whole or in part, for manufacture or sale by anyone other than Amphenol Corporation without its prior consent, and that no right is granted to disclose or to use any information in this document.

The marking on this product doesn't contain environmental hazardous materials per directive 2011/65/EU & 2015/863/EU for RoHS compliant & per IEC 61249-2-21 for Halogen-Free compliant.

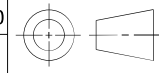
REVISIONS				
SYM	ECN No.	DESCRIPTION	DATE	BY
AX15	NA	ADDED SPEC OF 50 POS	04/08/2020	JOAN LU
AX16	NA	MODIFY DRAWING	09/11/2020	JOAN LU
AX17	NA	1. LATCH HOLE LOCATION CHANGE FROM 1.30mm TO 1.15mm 2. RECOMMENDED AIC MATING CARD CHAMFER CHANGE FROM 0.75 TO 0.3	12/15/2020	JOAN LU

RECOMMENDED AIC MATING CARD DIMENSIONS



PART NUMBER	POS. (N)	DIM. D1	DIM. D2	DIM. H1	DIM. H2	DIM. T	DIM. T1	DIM. T2
G97VX4XXXXHR	124	21.60	14.40	18.90	4.50	38.6	22.4	15.2
G97VX6XXXXHR	148	21.60	21.60	22.50	0.90	45.8	22.4	22.4

<p>TOLERANCE</p> <p>X. ±0.30</p> <p>X.X ±0.20</p> <p>X.XX ±0.10</p> <p>ANGULAR ±2°</p> <p>UNLESS OTHERWISE SPECIFIED</p>	<p>DRAWN</p> <p>APPROVALS</p> <p>DATE</p>	<p>TITLE</p> <p>MINI COOL EDGE IO INTEGRATED CONNECTOR 0.6 PITCH, VERTICAL FOR PCIE, SMT TYPE</p>	<p>Amphenol®</p> <p>Amphenol Corporation</p> <p>Amphenol Taiwan Corporation</p>
	<p>DESIGNED</p> <p>Joan Lu</p> <p>12/15/2020</p>	<p>CHECKED</p> <p>Sondra Sang</p> <p>12/15/2020</p>	
	<p>APPROVED</p> <p>Hank Hsu</p> <p>12/15/2020</p>	<p>UNIT</p> <p>mm</p> <p>SIZE</p> <p>A3</p>	
	<p>DWG TYPE</p> <p>CUST DWG</p> <p>PROJECT CODE</p> <p>TXXX</p>	<p>SCALE</p> <p>NA</p> <p>SHEET</p> <p>9 OF 12</p> <p>DWG No.</p> <p>G97VXXXXXHR</p> <p>REV.</p> <p>AX17</p>	

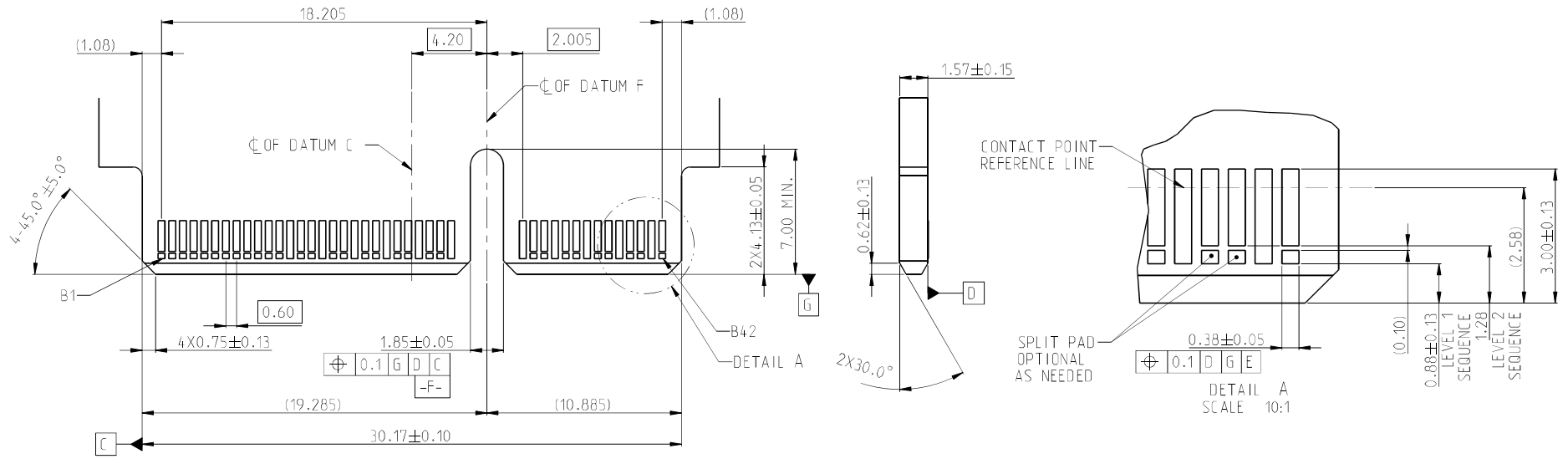


This document is the property of Amphenol Corporation and is delivered on the express condition that it is not to be disclosed, reproduced or used, in whole or in part, for manufacture or sale by anyone other than Amphenol Corporation without its prior consent, and that no right is granted to disclose or to use any information in this document.

The marking on this product doesn't contain environmental hazardous materials per directive 2011/65/EU & 2015/863/EU for RoHS compliant & per IEC 61249-2-21 for Halogen-Free compliant.

REVISIONS				
SYM	ECN No.	DESCRIPTION	DATE	BY
AX15	NA	ADDED SPEC OF 50 POS	04/08/2020	JOAN LU
AX16	NA	MODIFY DRAWING	09/11/2020	JOAN LU
AX17	NA	1. LATCH HOLE LOCATION CHANGE FROM 1.10mm TO 1.15mm 2. RECOMMENDED AIC MATING CARD CHAMFER CHANGE FROM 0.75 TO 1.03	12/15/2020	JOAN LU

RECOMMENDED AIC MATING CARD DIMENSIONS G97VX7XXXXHR



NOTE: POSITION A1 ON OPPOSITE SIDE OF CARD OF B1

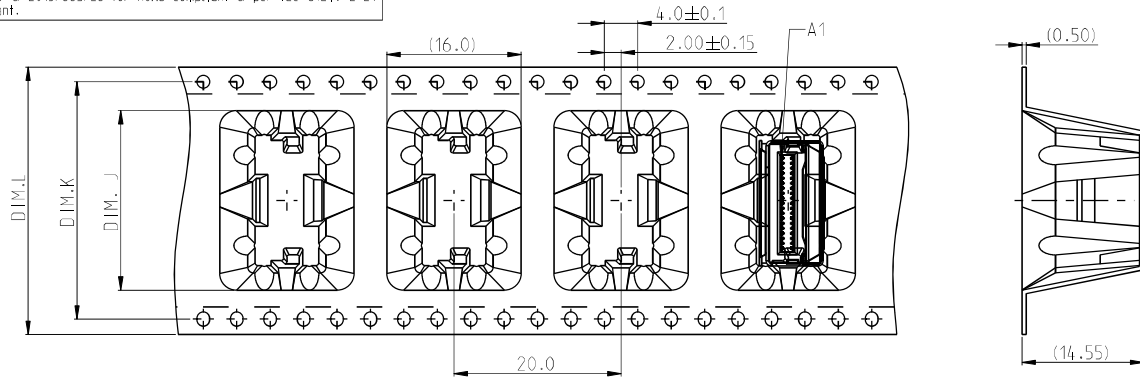


TOLERANCE	DRAWN	APPROVALS	DATE	TITLE	UNIT	SIZE	PART No.
X. ±0.30	DESIGNED	Joan Lu	12/15/2020	MINI COOL EDGE 10 INTEGRATED CONNECTOR 0.6 PITCH, VERTICAL FOR PCIE, SMT TYPE	MM	A3	G97VXXXXHR
X.X ±0.20	CHECKED	Sondra Sang	12/15/2020		SCALE	NA	G97VXXXXHR
X.XXX ±0.10	APPROVED	Hank Hsu	12/15/2020		SHEET	10 OF 12	REV. AX17
ANGULAR ±2°	DWG TYPE	CUST DWG	PROJECT CODE		TXXX		
UNLESS OTHERWISE SPECIFIED							

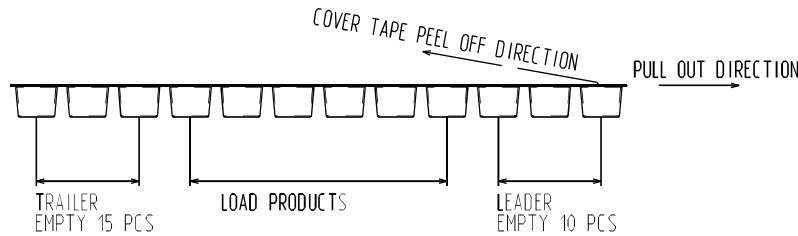
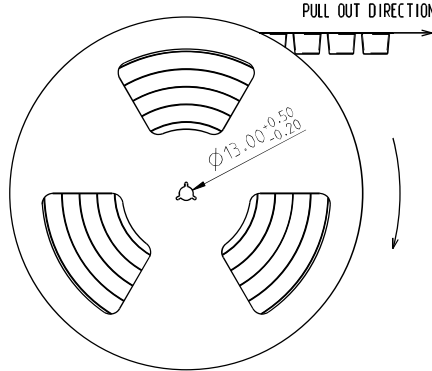
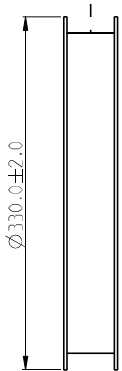
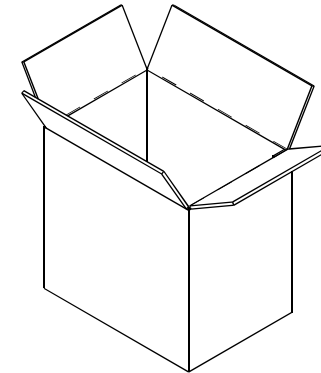
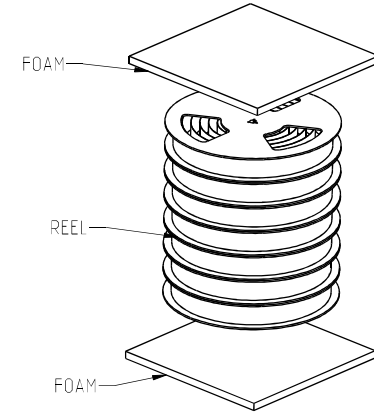
This document is the property of Amphenol Corporation and is delivered on the express condition that it is not to be disclosed, reproduced or used, in whole or in part, for manufacture or sale by anyone other than Amphenol Corporation without its prior consent, and that no right is granted to disclose or to use any information in this document.

The marking on this product doesn't contain environmental hazardous materials per directive 2011/65/EU & 2015/863/EU for RoHS compliant & per IEC 61249-2-21 for Halogen-Free compliant.

REVISIONS				
SYM	ECN No.	DESCRIPTION	DATE	BY
AX15	NA	ADDED SPEC OF 50 POS	04/08/2020	JOAN LU
AX16	NA	MODIFY DRAWING	09/11/2020	JOAN LU
AX17	NA	1. LATCH HOLE LOCATION CHANGE FROM 1.10mm TO 1.15mm 2. RECOMMENDED ATE MATING CARD CHAMFER CHANGE FROM 0.75 TO 0.3	12/15/2020	JOAN LU



PART NUMBER	POS. (N)	DIM. J	DIM. K	DIM. L	REEL (Q'TY)	CARTON (PCS)
G97VX1XXXXHR	38	(21.5)	28.4±0.1	32.0±0.3	7	1400
G97VX5XXXXHR	50	(27.7)	40.4±0.1	44.0±0.3	5	1000
G97VX2XXXXHR	74	(34.0)	52.4±0.1	56.0±0.3	4	800
G97VX4XXXXHR	124	(39.5)	68.40±0.1	72.0±0.3	3	600
G97VX6XXXXHR	148	(57.9)	68.40±0.1	72.0±0.3	3	600



- NOTE 2:
- CARTON SIZE 340L X 340W X 265H
 - PREFER TO AMTA LABELING STANDARD.
 - CARTON CLOSURES MUST BE SEALED WITH TAPE.

- NOTE 1:
- MATERIAL:
CARRIER TAPE: POLYSTYRENE, BLACK
COVER TAPE: TRANSPARENT POLYSTYRENE
REEL: POLYSTYRENE, BLACK
 - ALL TAPE AND REEL SPECIFICATION FOLLOW EIA-481 STANDARD.
 - THIS PRODUCT DOESN'T CONTAIN ENVIRONMENTAL HAZARDOUS PER DIRECTIVE 2002/95/EC FOR RoHS.

TOLERANCE	DRAWN APPROVALS	DATE	TITLE	UNIT	SIZE	PART No.
X. X.X ±0.30 X.XX ±0.20 X.XXX ±0.10	DESIGNED Joan Lu	12/15/2020	MINI COOL EDGE 10 INTEGRATED CONNECTOR 0.6 PITCH, VERTICAL FOR PCIE, SMT TYPE	MM	A3	G97VXXXXXHR
	CHECKED Sondra Sang	12/15/2020				
	APPROVED Hank Hsu	12/15/2020				
ANGULAR ±2°	DWG TYPE CUST DWG	PROJECT CODE TXXX		SCALE NA	SHEET 11 OF 12	DWG No. G97VXXXXXHR
UNLESS OTHERWISE SPECIFIED						REV. AX17

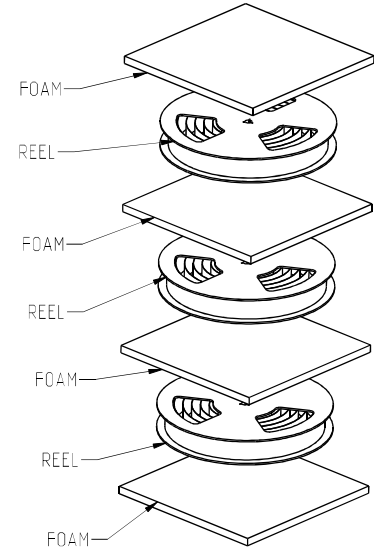
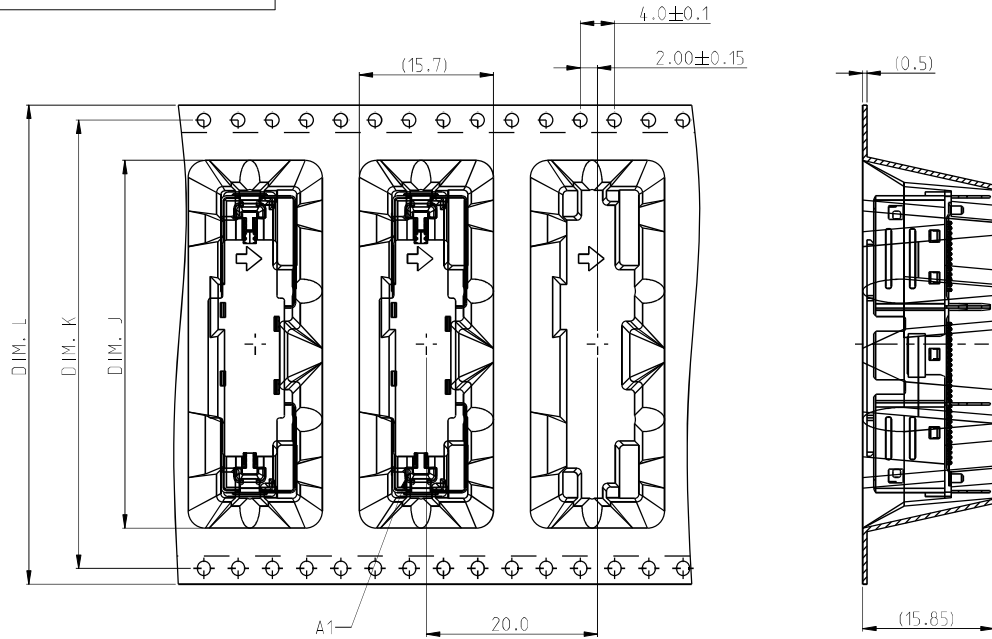
Amphenol®
Amphenol Corporation
Amphenol Taiwan Corporation

This document is the property of Amphenol Corporation and is delivered on the express condition that it is not to be disclosed, reproduced or used, in whole or in part, for manufacture or sale by anyone other than Amphenol Corporation without its prior consent, and that no right is granted to disclose or to use any information in this document.

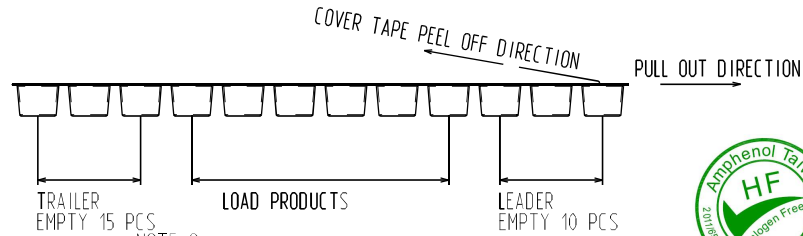
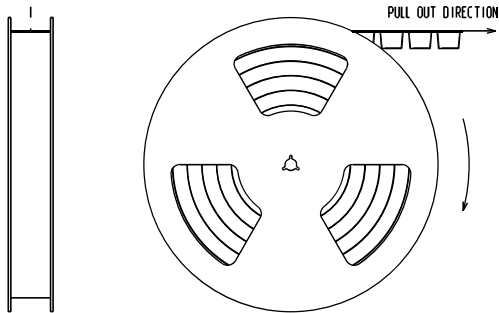
The marking on this product doesn't contain environmental hazardous materials per directive 2011/65/EU & 2015/863/EU for RoHS compliant & per IEC 61249-2-21 for Halogen-Free compliant.

G97VX7XXXXHR

REVISIONS				
SYM	ECN No.	DESCRIPTION	DATE	BY
AX15	NA	ADDED SPEC OF 50 POS	04/08/2020	JOAN LU
AX16	NA	MODIFY DRAWING	09/11/2020	JOAN LU
AX17	NA	1. LATCH HOLE LOCATION CHANGE FROM 1.10mm TO 1.15mm 2. RECOMMENDED ATE MATING CARD CHAMFER CHANGE FROM 0.25 TO 0.3	12/15/2020	JOAN LU

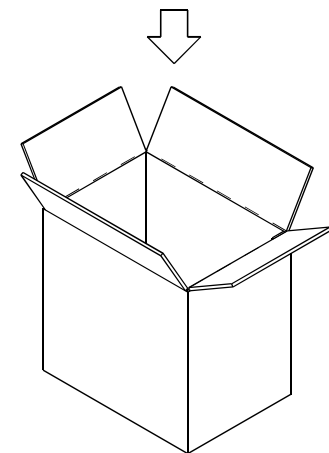


PART NUMBER	POS. (N)	DIM. J	DIM. K	DIM. L	REEL (Q'TY)	CARTON (PCS)
G97VX7XXXXHR	84	(43)	52.4±0.1	56.0±0.3	3	600



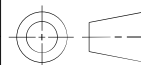
NOTE 2:

- CARTON SIZE 340L X 340W X 240H
- PREFER TO AMTA LABELING STANDARD.
- CARTON CLOSURES MUST BE SEALED WITH TAPE.



- NOTE 1:
- MATERIAL:
 - CARRIER TAPE: POLYSTYRENE, BLACK
 - COVER TAPE: TRANSPARENT POLYSTYRENE
 - REEL: POLYSTYRENE, BLACK
 - ALL TAPE AND REEL SPECIFICATION FOLLOW EIA-481 STANDARD.
 - THIS PRODUCT DOESN'T CONTAIN ENVIRONMENTAL HAZARDOUS PER DIRECTIVE 2002/95/EC FOR RoHS.

TOLERANCE	DRAWN	APPROVALS	DATE	TITLE	UNIT	SIZE	PART No.
X, X.X ±0.30	DESIGNED	Joan Lu	12/15/2020	MINI COOL EDGE 10 INTEGRATED CONNECTOR 0.6 PITCH, VERTICAL FOR PCIE, SMT TYPE	MM	A3	G97VXXXXHR
X.XX ±0.20	CHECKED	Sondra Sang	12/15/2020				
X.XXX ±0.10	APPROVED	Hank Hsu	12/15/2020				
ANGULAR ±2°	DWG TYPE	CUST DWG		PROJECT CODE	SCALE	SHEET	DWG No.
UNLESS OTHERWISE SPECIFIED				TXXX	NA	12 OF 12	G97VXXXXHR



Amphenol®
Amphenol Corporation
Amphenol Taiwan Corporation

REV. AX17