

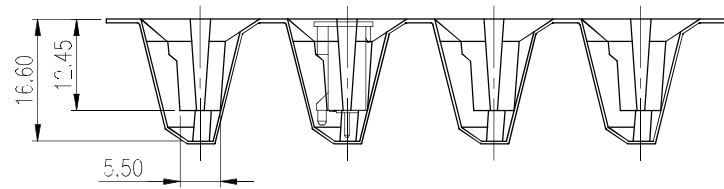
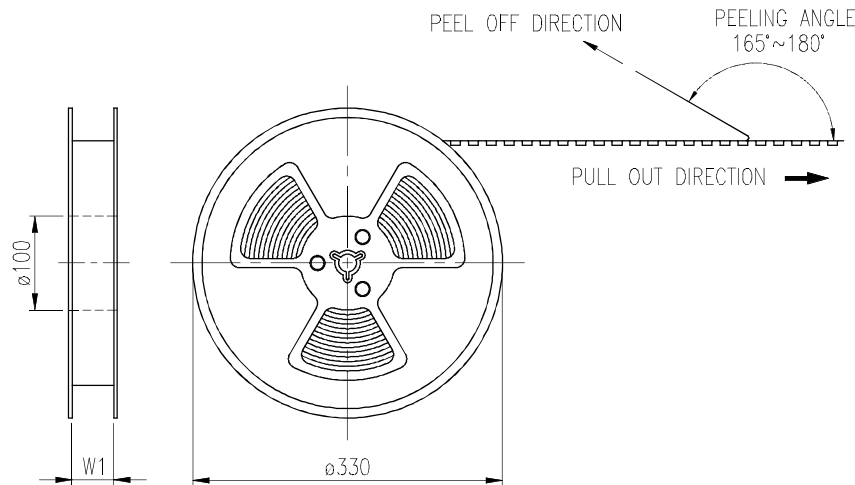
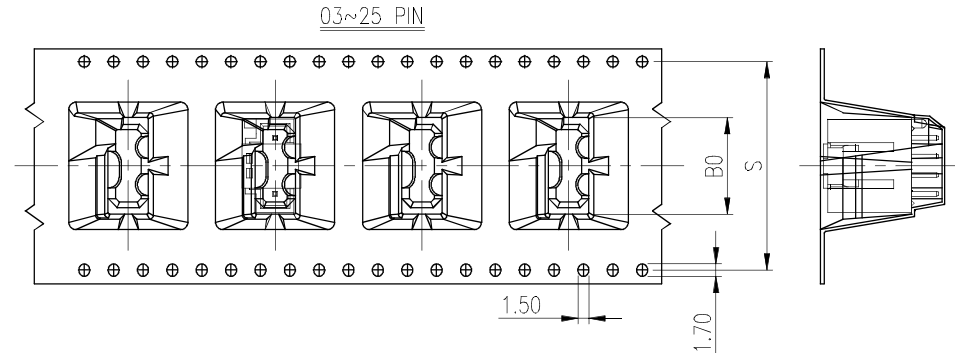
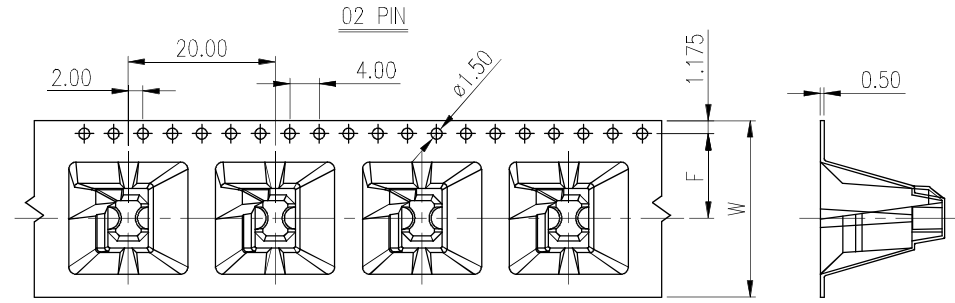
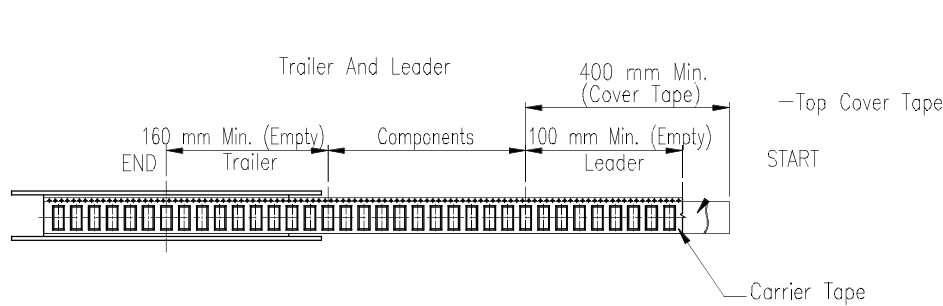


This document is the property of Amphenol Corporation and is delivered on the express condition that it is not to be disclosed, reproduced or used, in whole or in part, for manufacture or sale by anyone other than Amphenol Corporation without its prior consent, and that no right is granted to disclose or to use any information in this document.

The marking on this product doesn't contain environmental hazardous materials per Material Specification 55-00259 for Sony GP compliant or per directive 2011/65/EU for RoHS compliant.

**FOR REFERENCE ONLY**

REVISIONS				
SYM	ECN No.	DESCRIPTION	DATE	APPROVED
AX1	EDSR#6064	NON-RELEASE REVISION	01/26/2016	Roger Tsai
AX2	EDSR#6134	UPDATE PACKAGE	03/08/2016	Roger Tsai
AX3		UPDATE DRAWING	07/27/2016	Roger Tsai
AX4	EDSR#7366	UPDATE PACKAGE	04/27/2017	Roger Tsai



1. 10 SPROCKET HOLE PITCH CUMULATIVE TOLERANCE  $\pm 0.20$
2. CARRIER CAMBER IS WITHIN 1 mm IN 250 mm
3. THE TOTAL TEARING CONTROL RANGE OF TOP COVER TAPE IS 10~130g, REFERENCE SPEC: EIA-481-D
4. PEELING SPEED: 300mm/MINUTES, REFERENCE SPEC: EIA-481-D
5. MATERIAL: TRANSPARENT CONDUCTIVE POLYSTYRENE ALLOY.(UP-5000)
6. ALL DIMENSIONS MEET EIA-481-D REQUIREMENTS
7. THICKNESS :  $0.70 \pm 0.05$ mm
8. COMPONENT LOAD PER 13" REEL : 200 PCS

PIN	DIM.(mm)					PIN	DIM.(mm)					PIN	DIM.(mm)				
	B0	F	S	W	W1		B0	F	S	W	W1		B0	F	S	W	W1
1x02	8.12	7.50		24.00	24.50	1x07	20.82					1x12	33.52				
1x03	10.66					1x08	23.36	20.20	40.40	44.00	44.50	1x13	36.06	26.20	52.40	56.00	56.50
1x04	13.20	14.20	28.40	32.00	32.50	1x09	25.90					1x14	38.60				
1x05	15.74					1x10	28.44					1x15	41.14				
1x06	18.28	20.20	40.40	44.00	44.50	1x11	30.98	26.20	52.40	56.00	56.50						

TOLERANCE		APPROVALS		DATE		TITLE			PART No.		
X.		DRAWN	Karen Su	04/27/2017	G888A SERIES, PROTECTED			Amphenol®			
X.X	$\pm 0.30$	CHECKED	Roger Tsai	04/27/2017	HEADER, 2.54 PITCH, SINGLE			Amphenol Corporation			
X.XX	$\pm 0.20$	APPROVED	Roger Tsai	04/27/2017	ROW, VERTICAL PCB MOUNT			Amphenol Taiwan Corporation			
X.XXX	$\pm 0.10$					UNIT	mm	SIZE	A3	G888A1XXX2XT2HR	
ANGULAR	$\pm 1^\circ$	DWG TYPE	CUST DWG	PROJECT CODE	PHD	SCALE	NA	SHEET	3 OF 4	DWG No.	G888A1XXX2XT2HR
UNLESS OTHERWISE SPECIFIED										REV.	AX4

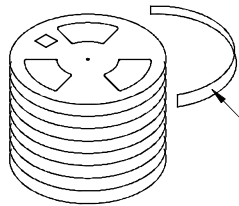
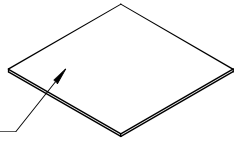
This document is the property of Amphenol Corporation and is delivered on the express condition that it is not to be disclosed, reproduced or used, in whole or in part, for manufacture or sale by anyone other than Amphenol Corporation without its prior consent, and that no right is granted to disclose or to use any information in this document.

The marking on this product doesn't contain environmental hazardous materials per Material Specification 55-00759 for Sony GP compliant or per directive 2011/65/EU for RoHS compliant.

REVISIONS				
SYM	ECN No.	DESCRIPTION	DATE	APPROVED
AX1	EDSR#6064	NON-RELEASE REVISION	01/26/2016	Roger Tsai
AX2	EDSR#6134	UPDATE PACKAGE	03/09/2016	Roger Tsai
AX3		UPDATE DRAWING	07/27/2016	Roger Tsai
AX4	EDSR#7366	UPDATE PACKAGE	04/27/2017	Roger Tsai

# FOR REFERENCE ONLY

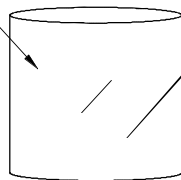
PARTITION BOARD 2 PCS



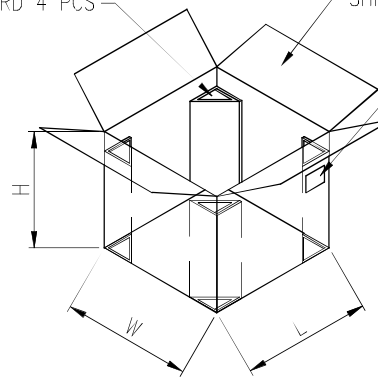
PROTECT TAPE



INNER BAG

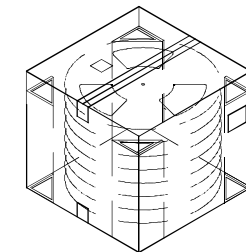


TRIANGLE BOARD 4 PCS



SHIPPING CARTON

TABEL



PACKING MATERIAL		PACKING CAPACITY			
PART NAME	DIM.(mm)	PIN	PCS/RE	RE/BC	PCS/BC
REEL	ø330*(W+0.5)	1x02	180	9	1,620
CARTON	350*350*340	1x03~1x05	180	7	1,260
		1x06~1x10	180	6	1,080
		1x11~1x15	180	5	900

TOLERANCE	APPROVALS	DATE	TITLE			Amphenol®		
X. ±0.30	DRAWN Karen Su	04/27/2017	G888A SERIES, PROTECTED HEADER, 2.54 PITCH, SINGLE ROW, VERTICAL PCB MOUNT			Amphenol Corporation Amphenol Taiwan Corporation		
X.X ±0.20	CHECKED Roger Tsai	04/27/2017						
X.XXX ±0.10	APPROVED Roger Tsai	04/27/2017						
ANGULAR ±1°	DWG TYPE CUST DWG	PROJECT CODE PHD	UNIT mm	SIZE A3	PART No. G888A1XXX2XT2HR			
UNLESS OTHERWISE SPECIFIED			SCALE NA	SHEET 4 OF 4	DWG No. G888A1XXX2XT2HR	REV. AX4		