

This document is the property of Amphenol Corporation and is delivered on the express condition that is not to be disclosed, reproduced or used, in whole or in part, for manufacture or sale by anyone other than Amphenol Corporation without its prior consent, and that no right is granted to disclose or to use any information in this document.

The marking on this product doesn't contain environmental hazardous materials per Material Specification SS-00259 for Sony GP compliant or per directive 2011/65/EU for RoHS compliant.

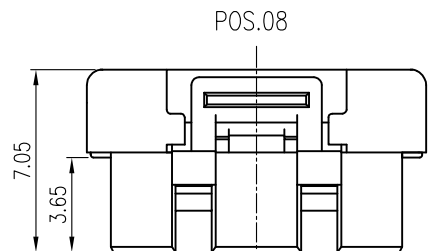
FOR REFERENCE ONLY

REVISIONS				
SYM	ECN No.	DESCRIPTION	DATE	APPROVED
A	NE-16275	RELEASE REVISION	12/05/2016	Roger Tsai
BX1	EDSR#8436	ADDED POS.08	04/25/2018	Roger Tsai

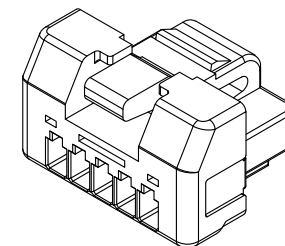
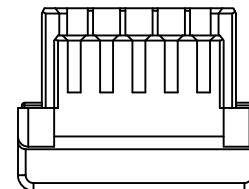
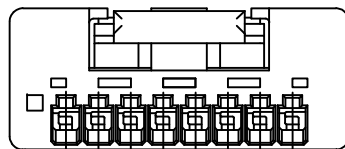
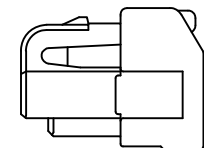
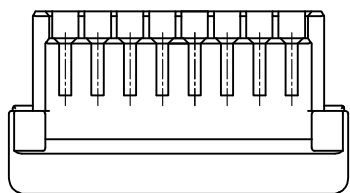
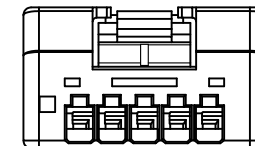
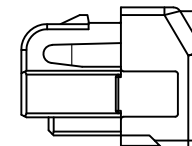
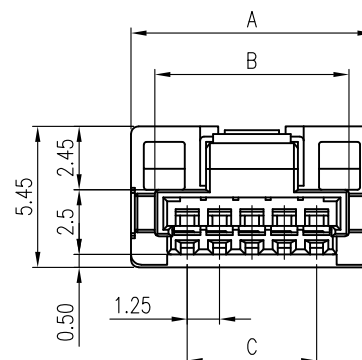
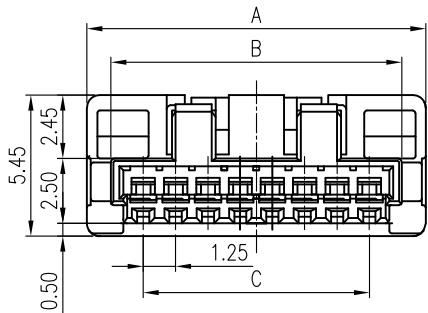
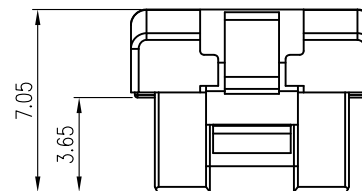
NOTES:

1. HOUSING: NYLON 66 (HALOGEN FREE), UL 94V-0, COLOR-OPTION.
2. THIS PRODUCT DOESN'T CONTAIN ENVIRONMENTAL HAZARDOUS MATERIAL PER DIRECTIVE 2011/65/EU FOR RoHS.
3. PACKING MUST BE PER Amphenol PACKING SPECIFICATION PKS-0001
4. PRODUCT SPECIFICATION REFER TO : PS-7582.
5. TEST SUMMARY REFER TO : TS-7582-XXX.

PART NO: G884H XX X CHR
 NO. OF POS. | COLOR OF HOUSING
 1. WHITE
 2. BLACK



POS.02~POS.07



G884H 08 X CHR	8	13.10	11.25	8.75
G884H 07 X CHR	7	11.85	10.00	7.50
G884H 06 X CHR	6	10.60	8.75	6.25
G884H 05 X CHR	5	9.35	7.50	5.00
G884H 04 X CHR	4	8.10	6.25	3.75
G884H 03 X CHR	3	6.85	5.00	2.50
G884H 02 X CHR	2	5.60	3.75	1.25
PART NUMBER	NO. OF POSITIONS	DIMENSIONS		
		A	B	C

TOLERANCE		APPROVALS		DATE	TITLE		Amphenol®		
X.		DRAWN Aqua Chou		04/25/2018	G884 SERIES, SOCKET CRIMP TYPE, 1.25MM PITCH HOUSING		Amphenol Corporation Amphenol Taiwan Corporation		
X.X	±0.30	CHECKED Karen Su		04/25/2018					
X.XX	±0.20	APPROVED Roger Tsai		04/25/2018					
X.XXX	±0.10	DWG TYPE CUST DWG		PROJECT CODE SKT	UNIT mm		SIZE A3	PART No. G884HXXXCHR	
ANGULAR	±1°	UNLESS OTHERWISE SPECIFIED			SCALE NA		SHEET 1 OF 2	DWG No. G884HXXXCHR	
					REV. BX1				

This document is the property of Amphenol Corporation and is delivered on the express condition that is not to be disclosed, reproduced or used, in whole or in part, for manufacture or sale by anyone other than Amphenol Corporation without its prior consent, and that no right is granted to disclose or to use any information in this document.

The marking on this product doesn't contain environmental hazardous materials per Material Specification SS-00259 for Sony GP compliant or per directive 2011/65/EU for RoHS compliant.

FOR REFERENCE ONLY

REVISIONS				
SYM	ECN No.	DESCRIPTION	DATE	APPROVED
A	NE-16275	RELEASE REVISION	12/05/2016	Roger Tsai
BX1	EDSR#8436	ADDED POS.08	04/25/2018	Roger Tsai

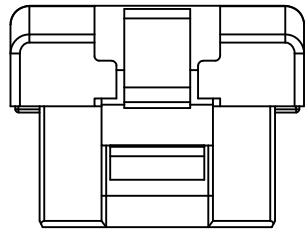


FIGURE 1

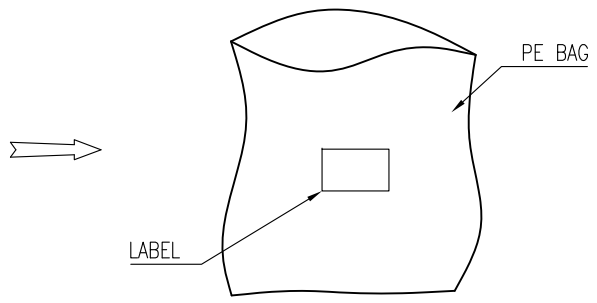


FIGURE 2

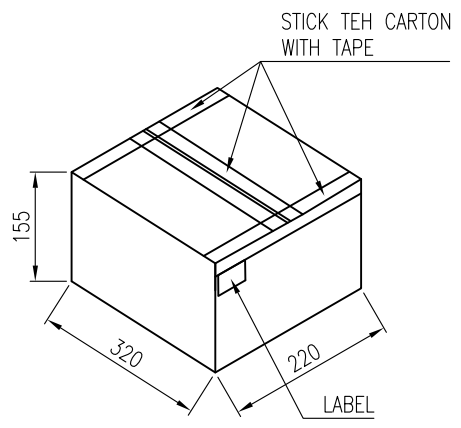


FIGURE 4

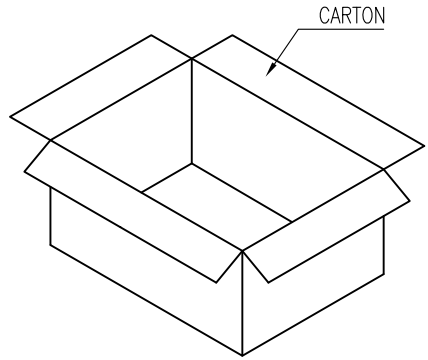
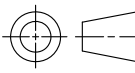


FIGURE 3

Pos.	PCS/BAG	PCS/Carton	Net (Kg)	Gross (Kg)
2	1000	25000	2.55	3.00
3	1000	25000	3.10	3.55
4	1000	20000	2.72	3.17
5	1000	20000	3.00	3.45
6	1000	15000	2.46	2.91
7	1000	15000	2.67	3.12

TOLERANCE	APPROVALS	DATE	TITLE		Amphenol®	
X. ±0.30	DRAWN Aqua Chou	04/25/2018	G884 SERIES, SOCKET CRIMP TYPE, 1.25MM PITCH HOUSING		Amphenol Corporation Amphenol Taiwan Corporation	
X.X ±0.20	CHECKED Karen Su	04/25/2018				
X.XX ±0.10	APPROVED Roger Tsai	04/25/2018	 UNIT mm SIZE A3 SCALE NA SHEET 2 OF 2		PART No. G884HXXXCHR	
ANGULAR ±1°	DWG TYPE CUST DWG	PROJECT CODE SKT			DWG No. G884HXXXCHR	
UNLESS OTHERWISE SPECIFIED						