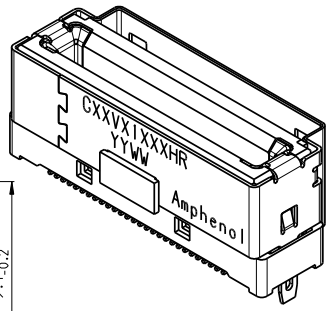


This document is the property of Amphenol Corporation and is delivered on the express condition that is not to be disclosed, reproduced or used, in whole or in part, for manufacture or sale by anyone other than Amphenol Corporation without its prior consent, and that no right is granted to disclose or to use any information in this document.

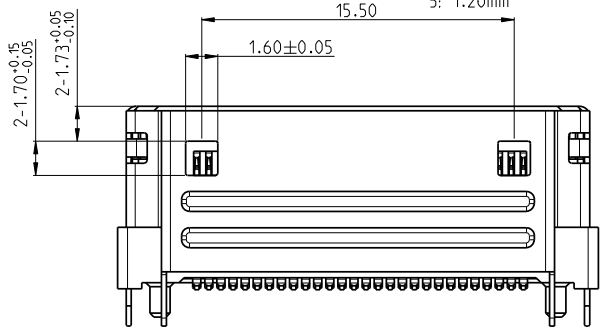
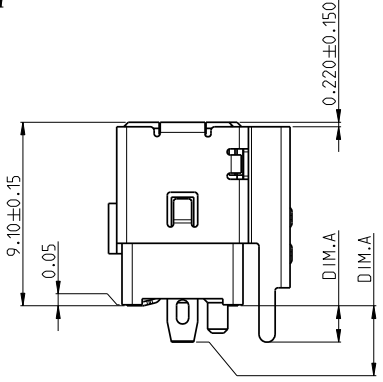
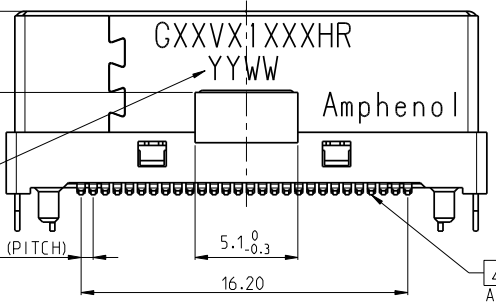
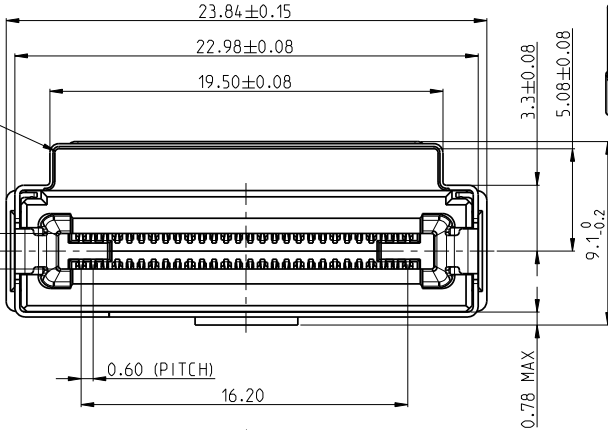
The marking on this product doesn't contain environmental hazardous materials per Material Specification SS-00259 for Sony GR compliant or per directive 2011/65/EU for RoHS compliant or per IEC 61249-2-21 for Halogen-Free compliant.

| REVISIONS | | | | |
|-----------|---------|--------------------------|------------|----------|
| SYM | ECN No. | DESCRIPTION | DATE | APPROVED |
| AX1 | NA | INITIAL REVISION | 07/23/2018 | JOAN LU |
| AX2 | NA | REVISED DRAWING | 08/21/2018 | JOAN LU |
| AX3 | NA | MODIFY CAGE | 09/27/2018 | JOAN LU |
| AX4 | NA | ADDED DATE CODE AND LOGO | 10/11/2018 | JOAN LU |

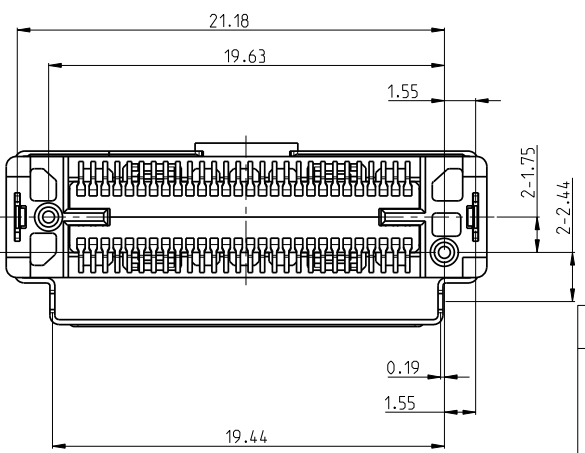


MC10 Z SERIES
 VERTICAL TYPE
 CONNECTOR SPEED
 3 : 56 G
 CHANNEL/PIN QTY
 1: 1C
 CONTACT FINISH
 3: 30u" GOLD

COMPLIANT CODE
 HR: HALOGEN-FREE & RoHS
 VARIATION CODE
 BLANK: STANDARD
 PACKING CODE
 2: TAPE AND REEL
 SHELL PIN LENGTH OPTION(DIM.A)
 1: 1.85mm
 2: 2.50mm
 3: 3.30mm
 4: 4.50mm
 5: 1.20mm



FOR REFERENCE ONLY



NOTES:
 1. MATERIALS:
 PLASTICS : HIGH TEMPERATURE THERMOPLASTIC UL94-0.
 SHELL : STAINLESS
 CONTACT: COPPER ALLOY
 2. FINISH
 TERMINAL : CONTACT AREA ; SELECTED GOLD PLATING
 SOLDER AREA : MATTE TIN PLATNG 100u".
 UNDER PLATING: NICKEL PLATING 50u"MIN OVER ALL
 SHELL : UNDER PLATING: ELECTROLESS NICKEL PLATING 50u"MIN OVER ALL
 3. THIS PRODUCT DOESN'T CONTAIN ENVIROMENTAL HAZARDOUS MATERIALS PER DERCTIVE 2011/65/EC FOR RoHS AND PER IEC 61249-2-21 FOR HALOGEN FREE.

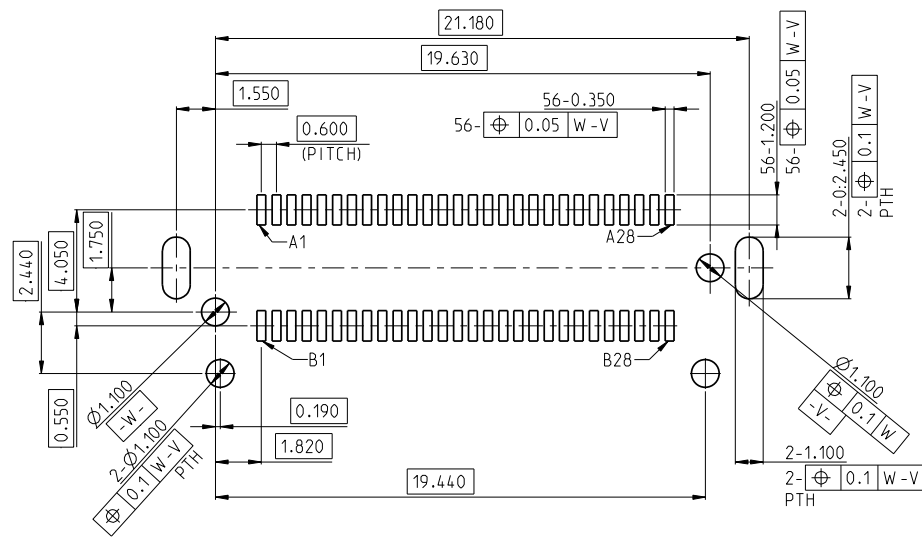


| | | | | | | | | |
|--|----------|-------------|--------------|--|--|--------------|-------|--------|
| TOLERANCE | DRAWN | APPROVALS | DATE | TITLE | Amphenol® Amphenol Corporation Amphenol Taiwan Corporation | | | |
| X. X.X ±0.30 X.XX ±0.20 X.XXX ±0.10 | DESIGNED | Joan Lu | 11/16/2018 | MC10 Z SERIES, 1C CONNECTOR 0.6 PITCH, VERTICAL STANDARD, SMT TYPE | UNIT | mm | SIZE | A3 |
| ANGULAR ±2° | CHECKED | Sondra Sang | 11/16/2018 | | SCALE | NA | SHEET | 1 OF 2 |
| UNLESS OTHER WISE SPECIFIED | APPROVED | Hank Hsu | 11/16/2018 | | PART No. | G64 VX1XXXHR | | |
| | DWG TYPE | CUST DWG | PROJECT CODE | TXXX | DWG No. | G64 VX1XXXHR | | |
| | | | | | REV. | AX4 | | |

This document is the property of Amphenol Corporation and is delivered on the express condition that is not to be disclosed, reproduced or used, in whole or in part, for manufacture or sale by anyone other than Amphenol Corporation without its prior consent, and that no right is granted to disclose or to use any information in this document.

The marking on this product doesn't contain environmental hazardous materials per Material Specification SS-00259 for Sony GP compliant or per directive 2011/65/EU for RoHS compliant or per IEC 61249-2-21 for Halogen-Free compliant.

| REVISIONS | | | | |
|-----------|---------|--------------------------|------------|----------|
| SYM | ECN No. | DESCRIPTION | DATE | APPROVED |
| AX1 | NA | INITIAL REVISION | 07/23/2018 | JOAN LU |
| AX2 | NA | REVISED DRAWING | 08/21/2018 | JOAN LU |
| AX3 | NA | MODIFY CAGE | 09/27/2018 | JOAN LU |
| AX4 | NA | ADDED DATE CODE AND LOGO | 10/11/2018 | JOAN LU |



RECOMMENDED PCB LAYOUT
(GENERAL TOLERANCES : +/-0.05)

FOR REFERENCE ONLY



| | | | | | | | | |
|-------------|----------------------------|-------------|--------------|--|---|--------------|-------|--------|
| TOLERANCE | DRAWN | APPROVALS | DATE | TITLE | Amphenol® Amphenol Corporation Amphenol Taiwan Corporation | | | |
| X. | DESIGNED | Joan Lu | 11/16/2018 | MC10 Z SERIES, 1C CONNECTOR 0.6 PITCH, VERTICAL STANDARD, SMT TYPE | PART No. | G64 VX1XXXHR | | |
| X.X ±0.30 | CHECKED | Sondra Sang | 11/16/2018 | | UNIT | mm | SIZE | A3 |
| X.XX ±0.20 | APPROVED | Hank Hsu | 11/16/2018 | | SCALE | NA | SHEET | 2 OF 2 |
| X.XXX ±0.10 | DWG TYPE | CUST DWG | PROJECT CODE | TXXX | REV. | AX4 | | |
| ANGULAR ±2° | UNLESS OTHERWISE SPECIFIED | | | | DWG No. | G64 VX1XXXHR | | |