

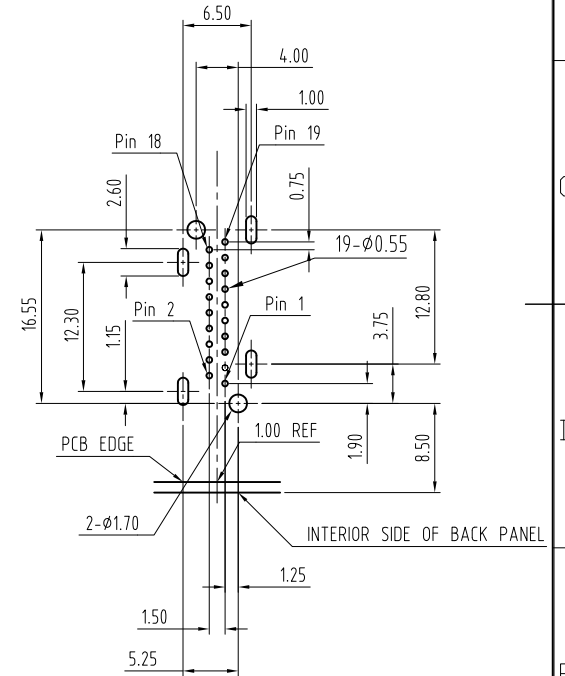
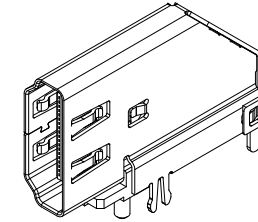
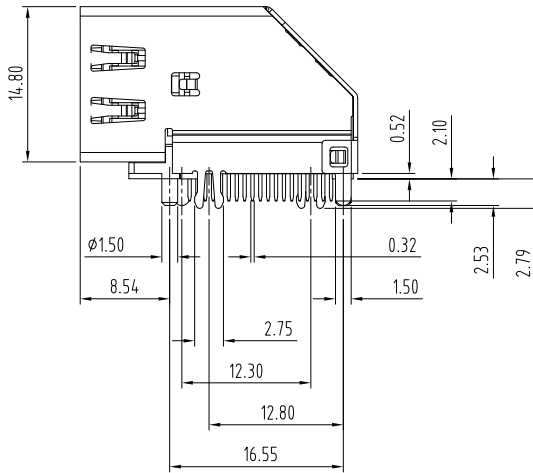
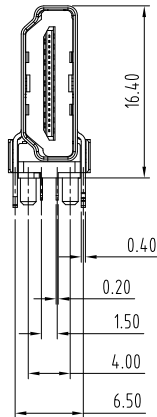
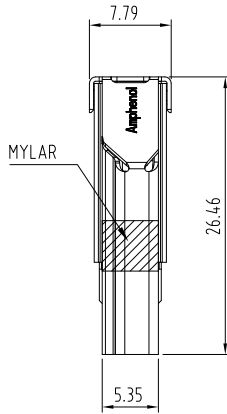
This document is the property of Amphenol Corporation and is delivered on the express condition that it not be disclosed, reproduced or used, in whole or in part, for manufacture or sale by anyone other than Amphenol Corporation without its prior consent, and that no right is granted to disclose or to use any information in this document.

The marking on this product doesn't contain environmental hazardous materials per Material Specification SS-00259 for Sony GP compliant or per directive 2011/65/EU for RoHS compliant or per IEC 61249-2-21 for Halogen-Free compliant.



ORIGINAL

REVISIONS				
SYM	ECN No.	DESCRIPTION	DATE	BY
A	NE-12112	RELEASE TO PRODUCTION	07/03/2012	Chenny Yeh
B	NE-20063	ADD W/O MYLAR OPTION	05/13/2020	Chenny Yeh



- NOTES:
- MATERIAL:
 - HOUSING: HIGH TEMPERATURE THERMO PLASTIC UL94V-0 COLOR BLACK
 - TERMINAL: COPPER ALLOY
 - SHELL: STAINLESS STEEL
 - FINISH:
 - TERMINAL:
 - CONTACT AREA: SELECTIVE GOLD PLATING.
 - SOLDERING AREA: MATT TIN PL. 100 μ" THICKNESS MIN.
 - UNDER PLATING: NICKEL PLATING. 50 μ" THICKNESS MIN, OVERALL.
 - SHELL: ELECTROLESS NICKEL
 - THIS PRODUCT DOESN'T CONTAIN ENVIRONMENTAL HAZARDOUS MATERIALS PER DIRECTIVE 2011/65/EU FOR RoHS AND PER IEC 61249-2-21 FOR HALOGEN FREE COMPLIANT.
 - PRODUCT SPECIFICATION REFER TO : PS-7393

RECOMMENDED PCB LAYOUT (THK=1.60±0.05)
TOLERANCE:±0.05

TOLERANCE	DRAWN	APPROVALS	DATE	TITLE	UNIT	SCALE	SIZE	SHEET	REV.
X.	DESIGNED	Chenny Yeh	05/13/2020	HDMI CONNECTOR 19 PIN, 0.75 PITCH UP/RIGHT, DIP TYPE	m	NA	A3	1 OF 2	B
X.X	CHECKED	Sondra Sang	05/13/2020						
X.XX	APPROVED	Hank Hsu	05/13/2020						
X.XXX	DWG TYPE	CUST DWG	PROJECT CODE T526						
ANGULAR			±2°						
UNLESS OTHERWISE SPECIFIED									

Amphenol[®]
Amphenol Corporation
Amphenol Taiwan Corporation

PART No. **G45A19X7X083HR**

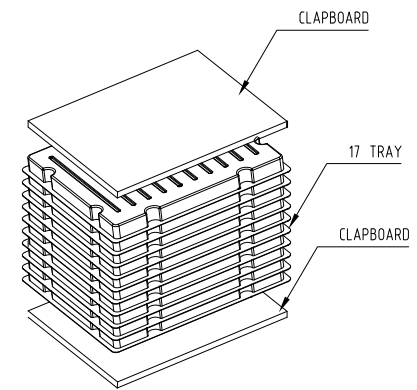
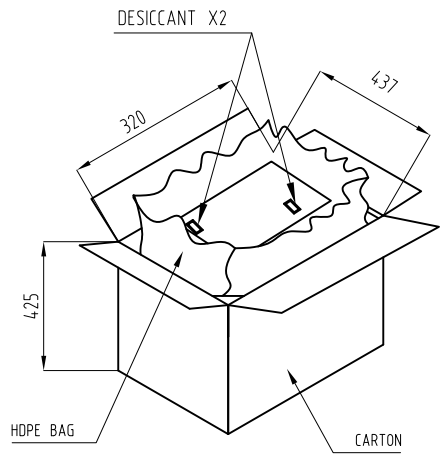
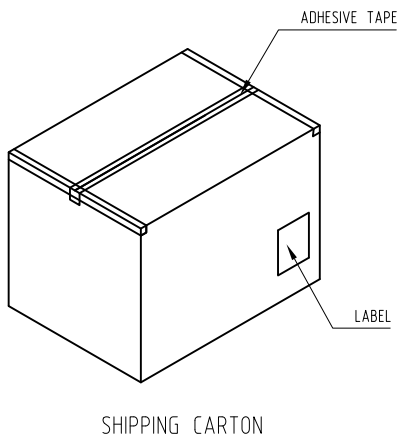
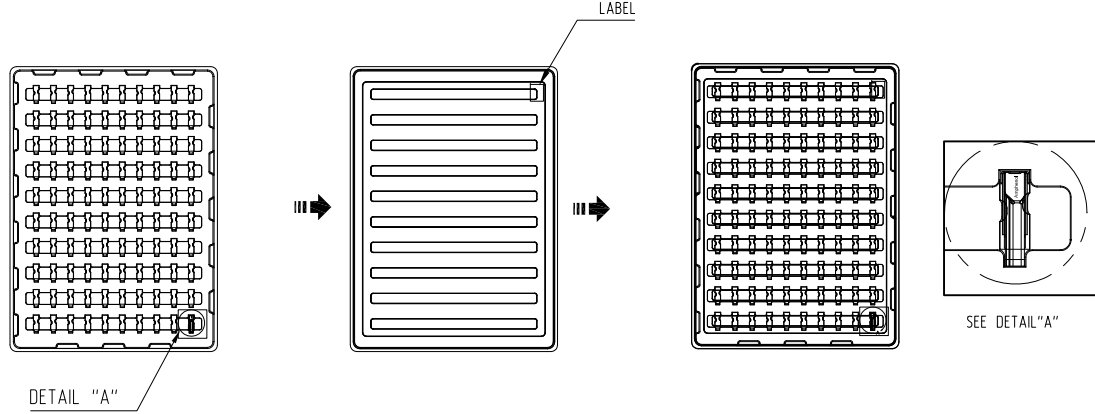
DWG No. **G45A19X7X083HR**

ORIGINAL

This document is the property of Amphenol Corporation and is delivered on the express condition that is not to be disclosed, reproduced or used, in whole or in part, for manufacture or sale by anyone other than Amphenol Corporation without its prior consent, and that no right is granted to disclose or to use any information in this document.

The marking on this product doesn't contain environmental hazardous materials per Material Specification SS-00259 for Sony GP compliant or per directive 2011/65/EU for RoHS compliant or per IEC 61249-2-21 for Halogen-Free compliant.

REVISIONS				
SYM	ECN No.	DESCRIPTION	DATE	BY
A	NE-12112	RELEASE TO PRODUCTION	07/03/2012	Chenny Yeh
B	NE-20063	ADD W/O MYLAR OPTION	05/13/2020	Chenny Yeh



G45A19X7XXXXHR	100	17	1700	1	2
PART NO.	PCS/TRAY	TRAY/CARTON	PCS/CARTON	LAYER	CLAPBOARD

TOLERANCE	DRAWN	APPROVALS	DATE	TITLE		
X. ±0.30	DESIGNED	Chenny Yeh	05/13/2020	HDMI CONNECTOR 19 PIN, 0.75 PITCH UP/RIGHT, DIP TYPE		
X.X ±0.20	CHECKED	Sondra Sang	05/13/2020			
X.XXX ±0.10	APPROVED	Hank Hsu	05/13/2020			
ANGULAR ±2°	DWG TYPE	CUST DWG	PROJECT CODE T526			
UNLESS OTHERWISE SPECIFIED				UNIT mm	SCALE NA	SIZE A3
				SHEET 2 OF 2	PART No. G45A19X7X083HR	DWG No. G45A19X7X083HR
				REV. B		

Amphenol®
Amphenol Corporation
Amphenol Taiwan Corporation