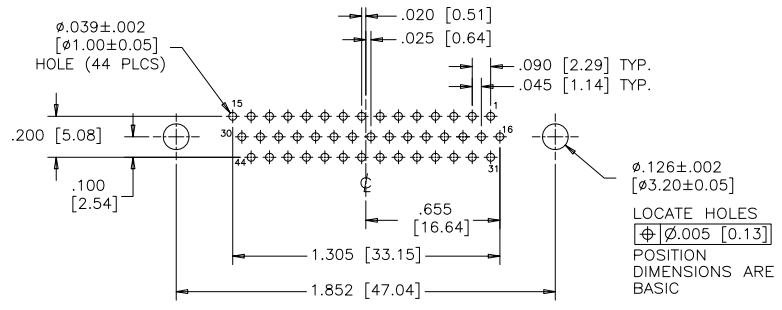
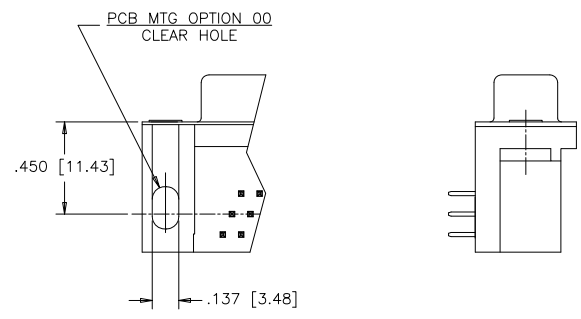
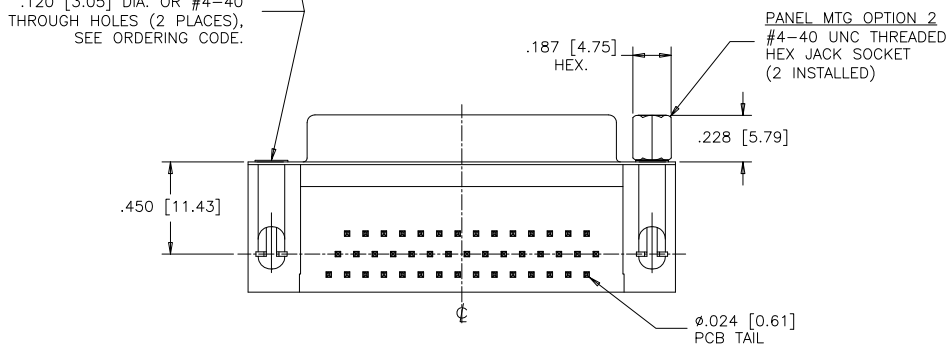
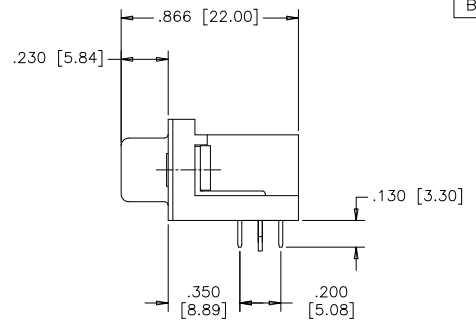
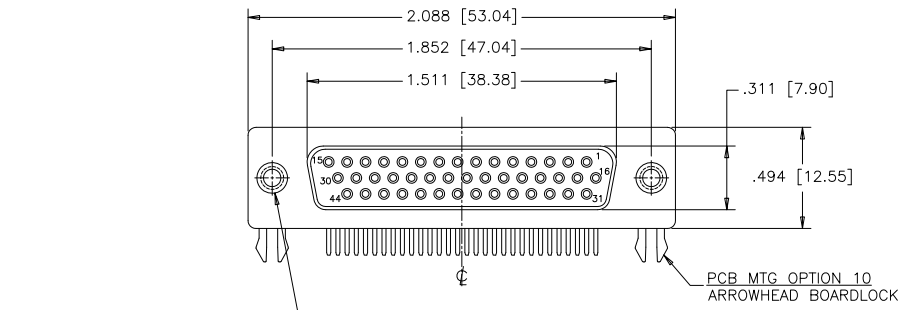


REVISIONS			
REV	ECN, ERN NO.	DATE	APPRD.
B	PRODUCT DRAWING (EAR 14658)	MAY4/18	K.L.



RECOMMENDED P.C.B LAYOUT
(COMPONENT SIDE OF BOARD)

ORDERING CODE:

PART NUMBER: 1 7 E B H - 0 4 4 S A M - 2 1 0

- SERIES
- NUMBER OF CONTACTS 044
- STYLE S= SOCKET
- CONTACT PLATING OPTIONS FOR ENGAGEMENT AREA
 - AA= 3µ" [0.08 MICRONS] GOLD FLASH
 - CH= 15µ" [0.38 MICRONS] GOLD
 - AM= 30µ" [0.76 MICRONS] GOLD
- PCB MOUNTING OPTIONS
 - 00= CLEAR HOLE
 - 10= ARROWHEAD BOARDLOCK
- PANEL MOUNTING OPTIONS
 - 0= .120 [3.05] CLEAR HOLE
 - 1= #4-40 THREADED HOLE
 - 2= #4-40 UNC THREADED HEX JACK SOCKETS

SPECIFICATIONS:

- MATERIALS: ALL MATERIALS ARE RoHS COMPLIANT.
- SHELLS: STEEL, NICKEL PLATED.
- INSERTS: HIGH TEMPERATURE RESISTANT NYLON, GLASS REINFORCED, UL FLAMMABILITY RATING 94V-0, COLOUR: BLACK.
- CONTACTS: COPPER ALLOY, GOLD PLATING (SEE ORDERING CODE) OVER 50µ" [1.27 MICRONS] NICKEL ON ENGAGEMENT AREA WITH 100µ" [2.54 MICRONS] MIN. MATTE TIN ON CONTACT TERMINALS.
- BOARDLOCK: COPPER ALLOY, TIN PLATED.

ELECTRICAL DATA:

- CURRENT RATING: 3 AMP
- CONTACT RESISTANCE: 15 MILLIOHMS MAX.
- INSULATION RESISTANCE: 5000 MEGOHMS MIN.
- DIELECTRIC WITHSTANDING VOLTAGE: 1000 VAC rms
- OPERATING TEMPERATURE: -55°C TO +105°C

DRAWN	J.LEE	DATE	DEC12/06
DESIGNED			
CHECKED	K.LAMBIE	DATE	DEC12/06
I. E. APPRD.			
Q. A. APPRD.			
DWG. APPRD.			
ENG. REL. NO.			
REF.	EAR 12992		
DIMENSIONS ARE IN	CODE ID. NO.		
INCHES [mm]	03554		

Amphenol Canada Corp.
TITLE: 17EBH SERIES HIGH DENSITY D-SUB CONNECTOR, 44 SIZE SOCKET, RIGHT ANGLE PCB CONTACTS, PLATING & MOUNTING OPTIONS, RoHS COMPLIANT

DWG	DRAWING NO.	REV.
C	P-17EBH-044SXX-XX0	B
SCALE	2/1	WT. _____ SURF. _____ SHEET 1 OF 1

THIS DOCUMENT CONTAINS PROPRIETARY INFORMATION AND SUCH INFORMATION MAY NOT BE DISCLOSED TO OTHERS FOR ANY PURPOSE OR USED FOR MANUFACTURING PURPOSES WITHOUT WRITTEN PERMISSION FROM AMPHENOL CANADA CORP.