

Amphenol

MODULAR JACKS

PRODUCT CATALOGUE



Now You're Connected!

Amphenol

The Company

Amphenol Commercial Products Group of Amphenol Canada Corp., a subsidiary of Amphenol Corporation, is an ISO 9001 certified facility located in Toronto, Canada. Our activities are dedicated to the design, development, and manufacturing of interconnect products intended for use in the data communications and telecommunications markets. Our expertise in understanding and supporting our customers' interconnect needs has earned Amphenol Canada a reputation of quality and excellence among the world's leading users of electronic components.

About the Catalogue

This modular jack catalogue represents some of our more popular products within this product category. Other product categories include, but is not limited to: D-Sub, Micro-Ribbon, USB, Headers and Sockets, CoolPower connectors, VHDCI, Capacitively Decoupled BNC, filtered connectors (D-Subs and micro-ribbon), and rugged connectors (RJ, USB, D-Subs, and bulkhead adapters).

All of our modular jacks are RoHS compliant.

All drawings in this document are measured in inches [mm], unless otherwise indicated.



Notice: Specifications are subject to change without notice. Contact your nearest Amphenol sales office for the latest specifications. All statements, information, and data given herein are believed to be accurate and reliable, but are presented without guarantee, warranty, or responsibility of any kind, expressed, or implied. Statements or suggestions concerning possible use of our products are made without representation or warranty that any such use is free of patent infringement, and are not recommended to infringe any patent. The user should not assume that all safety measures are indicated or that other measures may not be required. Amphenol and RJ vista are registered trademarks.

CONTENTS

Right Angle (Side Entry)

▶ THROUGH-HOLE

| | | |
|-------|-------------------------------------|-------|
| RJHSE | Tab Up, Multiport | 4-7 |
| RJESE | Tab Up, Standard Profile | 8-10 |
| RJE37 | Tab Up, Single Port, Low Profile | 11-12 |
| RJE39 | Tab Up, Narrow, 2 and 8 Port | 13-14 |
| RJE01 | Tab Up, RJ11 (six position) | 15-16 |
| RJSBE | Tab Down, 1, 2 and 4 Port | 17-19 |
| FRJAE | Tab Down, Filtered and Shielded | 20-22 |
| RJE02 | Tab Down, Single Port, High Profile | 23-24 |
| RJE03 | Tab Down, Single Port, Low Profile | 25-26 |
| RJE05 | Tab Down, Ultra Low Profile | 27-28 |
| RJE09 | Tab Down, Standard Profile | 29-31 |
| RJULE | Tab Down, Recessed, Low Profile | 32-33 |
| RJE73 | Tab Down, Single Port, Low Profile | 34-35 |

▶ SURFACE MOUNT

| | | |
|-------|------------------------------------|-------|
| RJSSE | Tab Up, with Light Pipes | 36-38 |
| RJCSE | Tab Up, Standard Profile | 39-40 |
| RJLSE | Tab Down, Ultra Low Profile | 41-42 |
| RJE07 | Tab down, Single port | 43-44 |
| RJE15 | Tab Down, Single Port, Low Profile | 45-46 |

▶ PRESS FIT

| | | |
|-------|----------------|-------|
| RJE56 | Tab Down, RJ45 | 47-48 |
|-------|----------------|-------|

Stacked

| | | |
|-------|--------------------------------------|-------|
| RJSAE | 2, 4 and 8 ports with Shield Options | 61-63 |
| RJSNE | 4 over 4 ports with Shield Options | 64-65 |

Vertical (Top Entry)

▶ THROUGH-HOLE

| | | |
|-------|-------------------------------|-------|
| RJHSE | Tab Up, Multiport | 4-7 |
| RJE06 | Single Port, Slim Profile | 49-50 |
| RJE08 | Single Port, Standard Profile | 51-52 |
| RJE74 | Single Port, Standard Profile | 53-54 |
| RJE88 | Single Port, Low Profile | 55-56 |
| RJE1J | Single Port, Narrow Profile | 57-58 |

▶ SURFACE MOUNT

| | | |
|-------|----------------------------|-------|
| RJE23 | Single Port, Surface Mount | 59-60 |
|-------|----------------------------|-------|

Category 5e

| | | |
|-------|------------------------------------|-------|
| RJE48 | Right Angle, Low Profile | 66-67 |
| RJE58 | Right Angle, Standard Profile | 68-70 |
| RJE72 | Right Angle, Recessed, Low Profile | 71-72 |

Category 6

| | | |
|-------|------------------------------------|-------|
| RJE45 | Vertical, Single Port, Low Profile | 73-74 |
| RJE49 | Right Angle, Low Profile | 75-76 |
| RJE59 | Right Angle, Standard Profile | 77-79 |
| RJE71 | Right Angle, Recessed, Low Profile | 80-81 |

Category 6A

| | | |
|-------|-------------------------------|-------|
| RJE60 | Right Angle, Standard Profile | 82-84 |
|-------|-------------------------------|-------|

Additional Products

| | | |
|-------|--------------|-------|
| RJE17 | RJ45 Coupler | 85-86 |
|-------|--------------|-------|

| | |
|---------------------|-------|
| Coming Soon & Other | 88-89 |
|---------------------|-------|

| | |
|-------------|---|
| LED OPTIONS | 3 |
|-------------|---|

Note:  Denotes LEDs are available for connectors in the series

LED OPTIONS

LED Designation

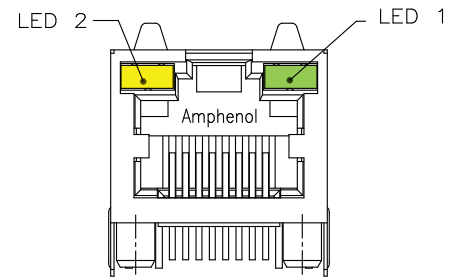
Ex. RJHSE - 538X*

| LED Code | LED 2 Left | | LED 1 Right | |
|----------|------------|--------|-------------|--------|
| 0 | Blocked | | Blocked | |
| 1 | Yellow | | Green | |
| 2 | Blocked | | Green | |
| 3 | Yellow | | Blocked | |
| 4 | Green | | Yellow | |
| 5 | Green | | Green | |
| 6 | Yellow | | Yellow | |
| 7 | Red | | Green | |
| 8 | Green | | Red | |
| 9 | Green | | Blocked | |
| A | Green | Yellow | Green | Yellow |
| B | Red | Green | Red | Green |
| C | Red | Green | Green | Yellow |
| D | Green | | Green | Yellow |
| E | Yellow | | Green | Yellow |
| F | Green | Yellow | Yellow | |
| G | Green | Orange | Green | Orange |
| H | Green | Yellow | Green | |
| J | Red | Green | Yellow | |
| K | Yellow | | Green | Orange |
| L | Green | Yellow | Red | |
| M | Red | | Yellow | |
| N | Green | Red | Green | Yellow |
| P | Green | | Red | Green |
| R | Green | Orange | Green | |
| T | Red | | Red | |
| V | Red | Green | Green | |

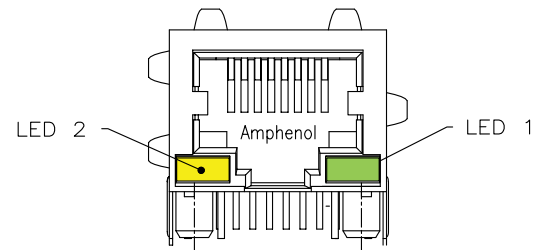
*LED Designation Code

Note: A black X in the part number refers to the LED designation code for all drawings in this catalogue.

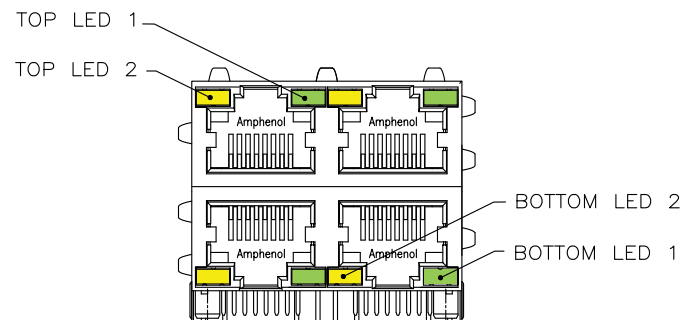
For Tab Up Connectors:



For Tab Down Connectors:



For Stacked Connectors:



Other LED options are available. If you do not see what you're looking for, please email sales@amphenolcanada.com to request the complete the LED ordering options.



5

3

TAB UP, MULTIPORT, WITH LEDs

A series of EMI Quiet Modular Jack connectors with built-in LEDs. This product is ideal for LAN applications such as adapter cards and routers. Shielded and non-shielded versions are available, with a variety of LED colors and ports.



SPECIFICATIONS

Material

| | |
|-------------------|--|
| Insulator: | High temp. thermoplastic; Complies with UL 94V-0; Black |
| Contacts: | Phosphor bronze hard temper with gold thickness options (6μ", 15μ", 30μ", 50μ") over 50μ" min. nickel on contact mating area; 100μ" min. matte tin plating on soldering tail |
| Shield: | Stainless steel with tin dipped tails |
| LED: | Tin plating on LED tails |

Mechanical

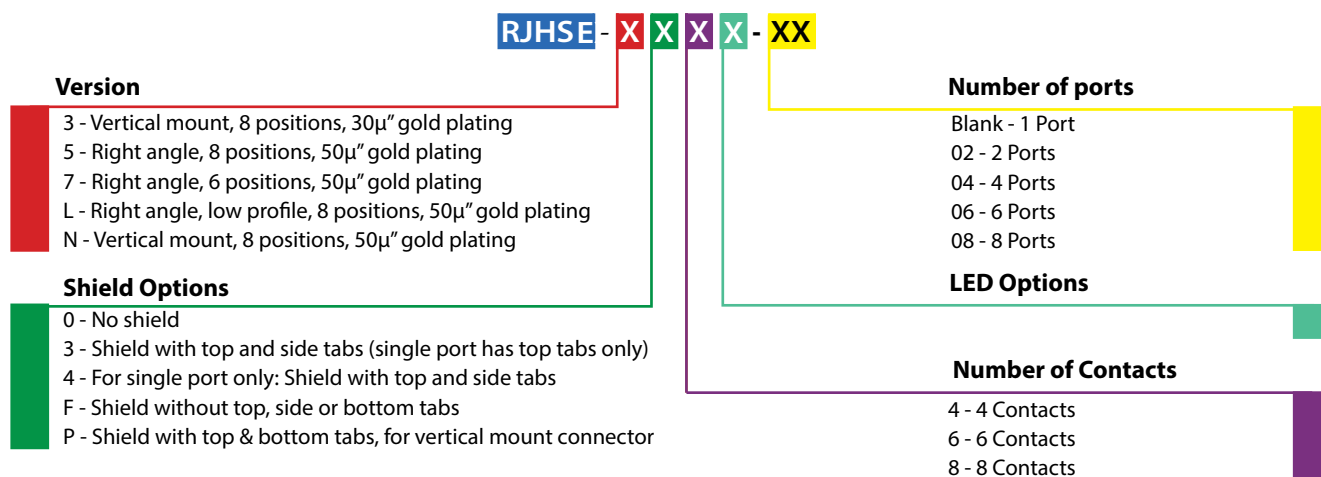
| | |
|---|--|
| Insertion Force: | 5 lbs max. |
| Pull Retention Force: | 20 lbs min. |
| Durability: | 750 mating & unmating cycles |
| Recommended Soldering Temperature: | Wave soldering peaked at 260°C for 5 secs max. |
| Operating Temperature: | -55°C to + 105°C |
| UL File #: | E135615 |
| CSA File #: | LR685398 |

*Note: Connectors without LEDs are suitable for IR Reflow

Electrical

| | |
|-------------------------------|--|
| Contact Resistance | 20 mΩ max. |
| Insulation resistance: | 500 MΩ min. at 500V DC for 2 mins max. |
| Current Rating: | 1.5 Amps per contact |
| Voltage Rating: | 125 Volts AC |
| DWV: | 1000 VAC, 60 Hz. 1 min. |
| Standard LEDs: | For 5.0 V Systems |
| Forward Voltage: | 2.1 Volts typical |
| Reverse Voltage: | 6 Volts min. |
| Luminous Intensity: | 0.5 mcd min. at 2mA |
| Low Current LEDs: | For 3.3 V Systems |
| Forward Voltage: | 2 Volts typical |
| Reverse Voltage: | 6 Volts min. |
| Luminous Intensity: | 1 mcd min. at 2mA |

ORDERING INFORMATION



Didn't find what you were looking for?

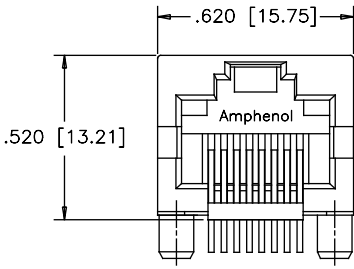
Please contact sales@amphenolcanada.com and let us know what you need.

RJHSE

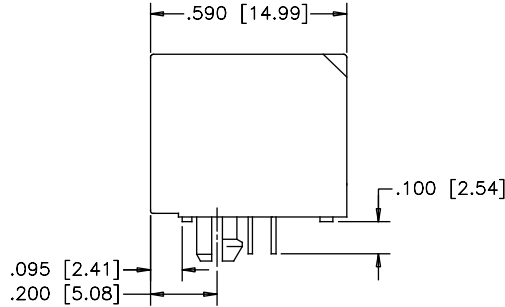
TAB UP, MULTIPORT, WITH LEDS

Single Port Non-Shielded

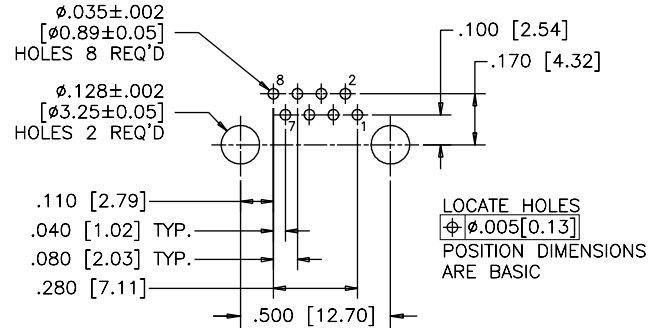
RJHSE-508X*



FRONT VIEW



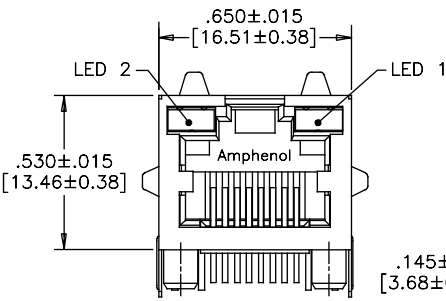
SIDE VIEW



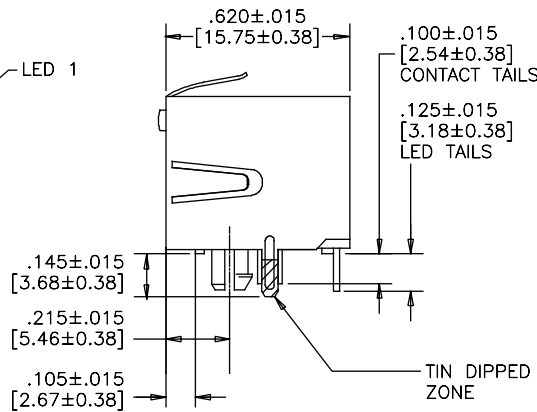
RECOMMENDED PCB LAYOUT

Shielded - With Top & Side Ground Tabs

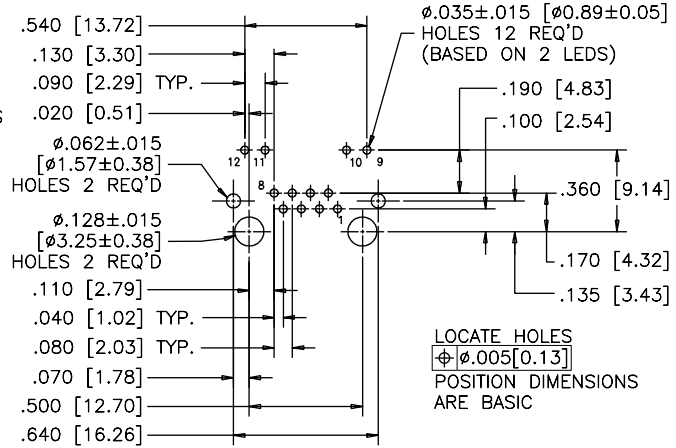
RJHSE-548X



FRONT VIEW



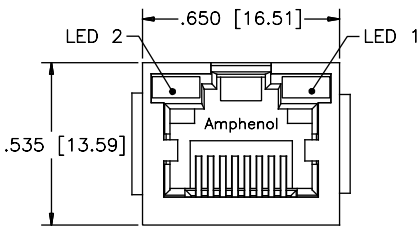
SIDE VIEW



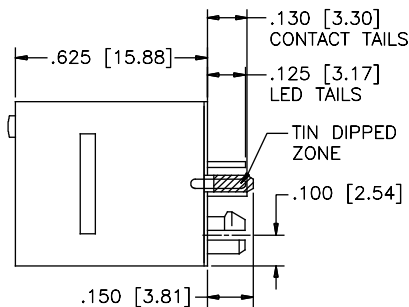
RECOMMENDED PCB LAYOUT

Vertical Mount

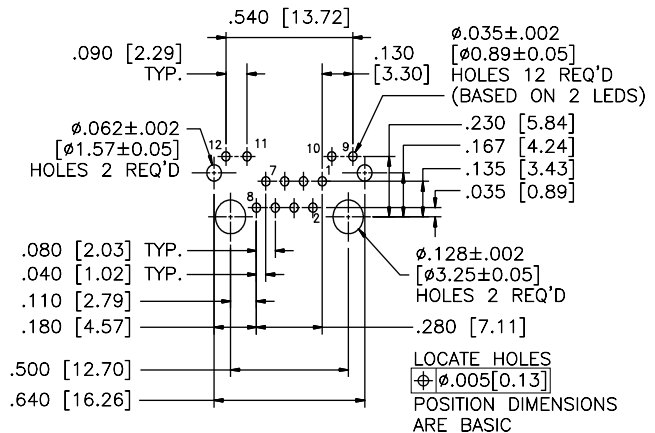
RJHSE-338X



FRONT VIEW



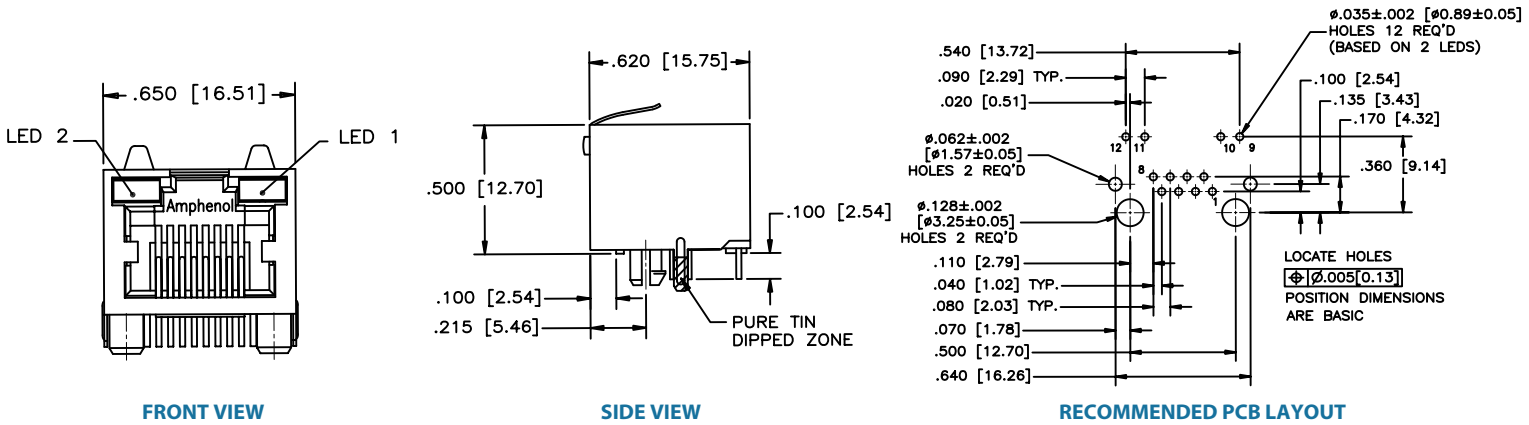
SIDE VIEW



RECOMMENDED PCB LAYOUT

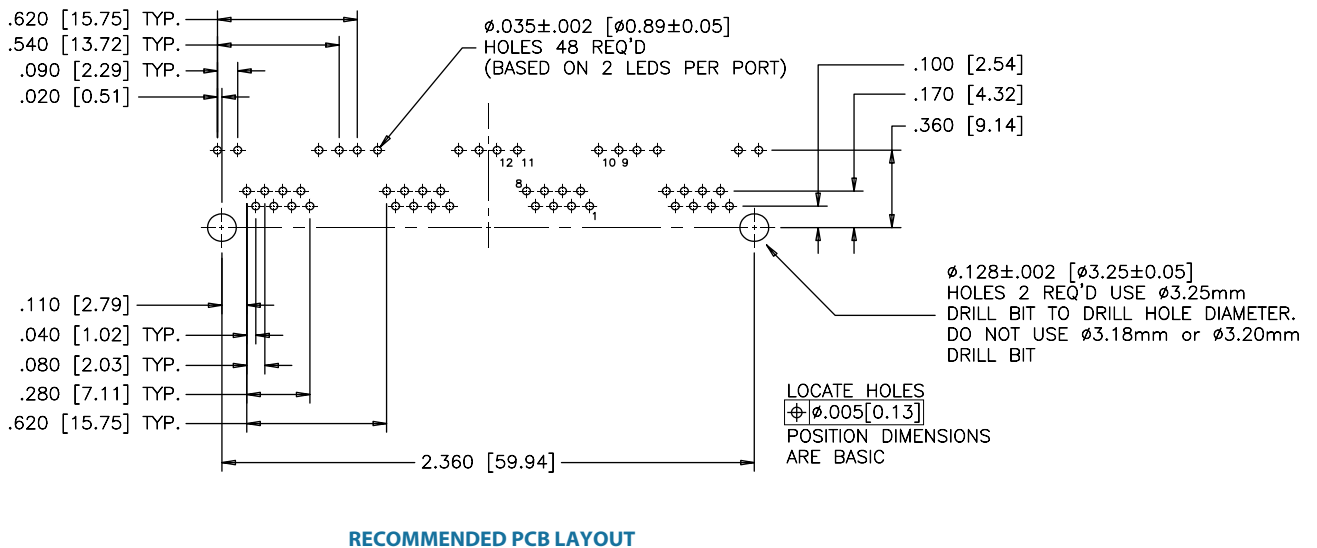
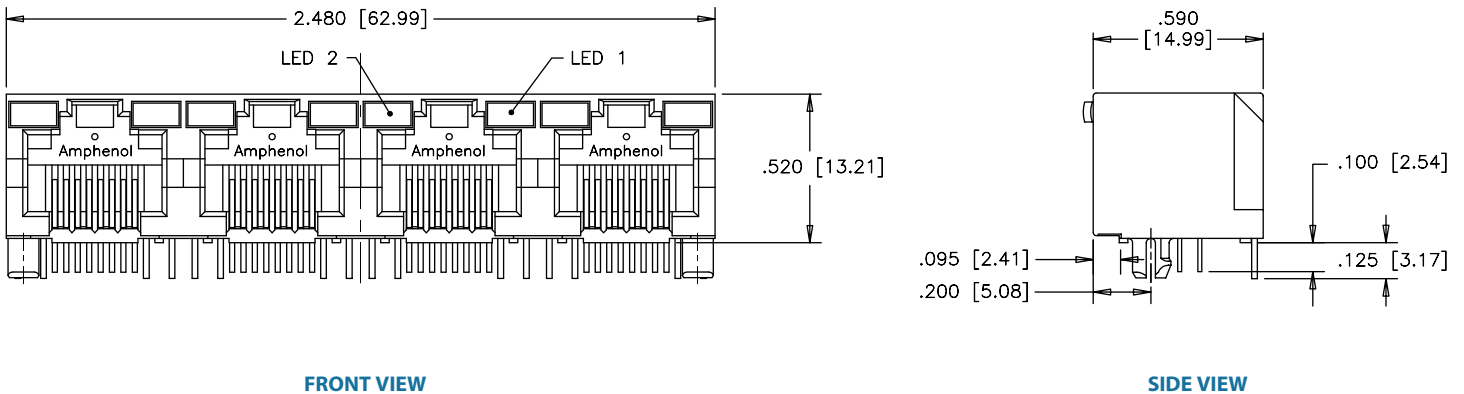
Single Port Shielded - Low Profile

RJHSE-L38X



Multi Port Non-Shielded

RJHSE-508X-04

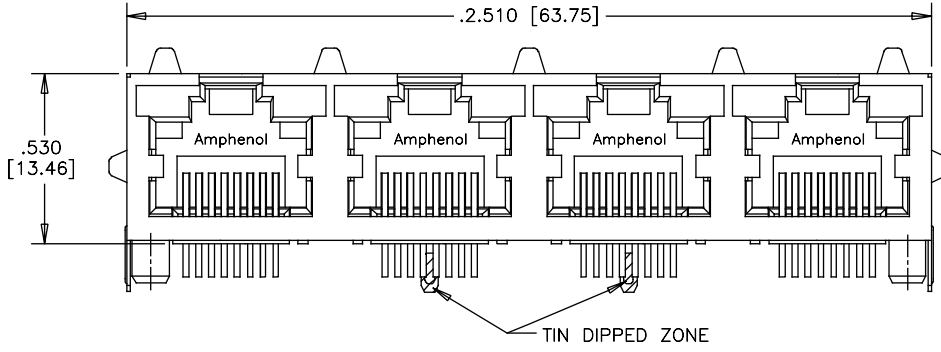


RJHSE

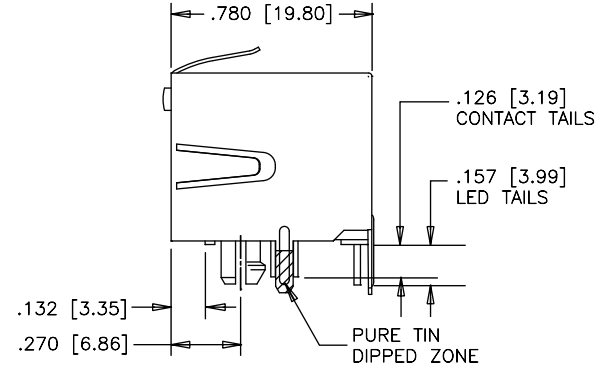
TAB UP, MULTIPOINT, WITH LEDS

Multi Port Shielded

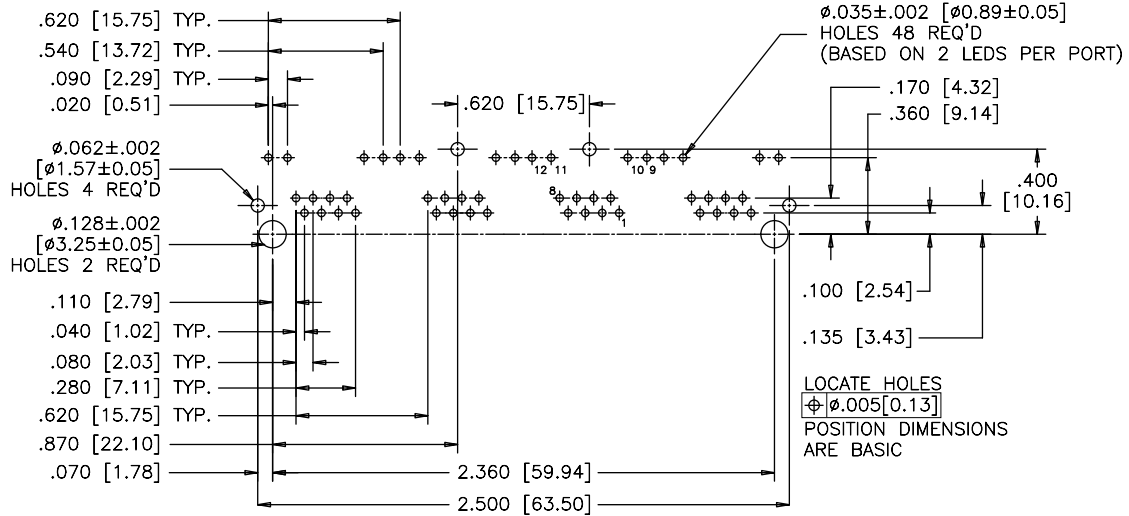
RJHSE-538X-04



FRONT VIEW



SIDE VIEW



RECOMMENDED PCB LAYOUT

Notes

TAB UP, RJ45 & RJ11, STANDARD PROFILE

This family of EMI quiet modular jack connectors with integrated LEDs features the same data transfer capabilities as our existing series of LED-integrated modular jacks. This product is an economical solution ideal for LAN applications and is intended for use with low temperature soldering processes. Shielded and non-shielded versions are available with a variety of LED options. Also offered in both single and multi port configurations.



SPECIFICATIONS

Material

| | |
|-------------------|--|
| Insulator: | Engineering thermoplastic; Complies with UL 94V-0; Black |
| Contacts: | Phosphor bronze hard temper with gold thickness options (6 μ ", 15 μ ", 30 μ ", 50 μ ") over 50 μ " min. nickel on contact mating area; 100 μ " min. matte tin plating on soldering tail |
| Shield: | Stainless steel with tin dipped tails |
| LED: | Tin plating on LED tails |

Mechanical

| | |
|---|--|
| Insertion Force: | 5 lbs max. |
| Pull Retention Force: | 20 lbs min. |
| Durability: | 750 mating & unmating cycles |
| Recommended Soldering Temperature: | Wave soldering peaked at 260°C for 5 secs max. |
| Operating Temperature: | -55°C to +85°C |

Electrical

| | |
|--------------------------------|---|
| Contact Resistance | 20 m Ω max. |
| Insulation resistance: | 500 M Ω min. at 500V DC for 2 mins max. |
| Current Rating: | 1.5 Amps per contact |
| Voltage Rating: | 125 Volts AC |
| DWV: | 1000 VAC, 60 Hz. 1 min. |
| LED Forward DC Current: | 20mA typical |
| LED Forward Voltage: | 1.9 Volts max. at 2mA (for single colours) 2.6 Volts max. at 2mA (for bicolours) |
| LED Reverse Voltage: | 5 Volts min. |
| LED Light Intensity: | 0.4 to 1.5 mcd min. at 2mA (for single colours) 0.5 mcd min. at 2mA (for bicolours) |
| LED Wave Length: | Yellow: 587 \pm 7 nm measured at 20mA Green: 565 \pm 6 nm measured at 20mA Red: 625 \pm 5 nm measured at 20mA |

ORDERING INFORMATION

RJHSE - X X X X - X X XX

Version

- 3 - Vertical mount, 8 positions, with panel stops
- 7 - Right angled, 6 positions
- 8 - Right angled, 8 positions

Shield Options

- 0 - No shield
- 3 - Standard shield, 1 to 8 port (single port without side tabs)
- 4 - Single port shield, top and side tabs

Number of Contacts

- 4 - 4 Contacts
- 6 - 6 Contacts
- 8 - 8 Contacts

LED Options

Special Identifier

- Blank - Standard black housing
- 02 - Yellow housing colour
- 03 - Red housing colour

Number of Ports

- 1 - 1 Port
- 2 - 2 Ports
- 4 - 4 Ports

Contact Plating

- 0 - 6 μ " gold plating
- 1 - 15 μ " gold plating
- 2 - 30 μ " gold plating
- 3 - 50 μ " gold plating
- F - 1~3 μ " gold plating

Didn't find what you were looking for?

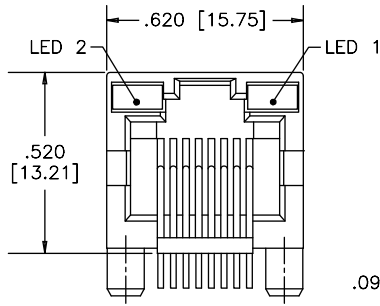
Please contact sales@amphenolcanada.com and let us know what you need.

RJESE

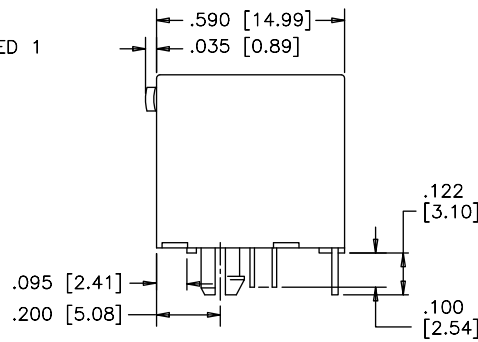
TAB UP, RJ45 & RJ11, STANDARD PROFILE

Single Port Non-Shielded

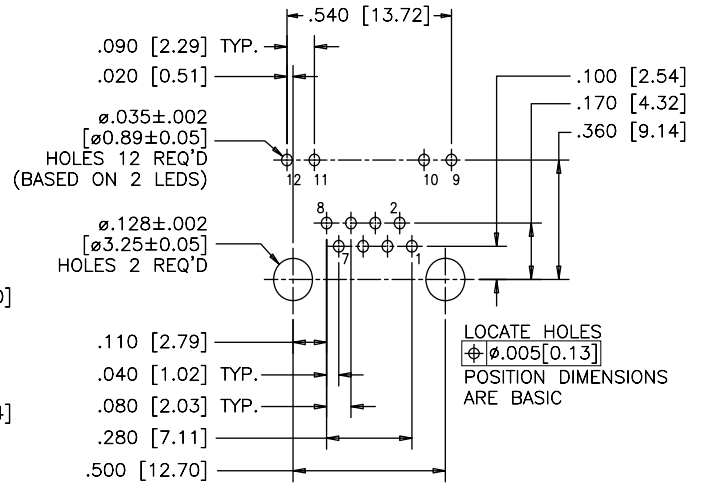
RJESE-808X-X1



FRONT VIEW



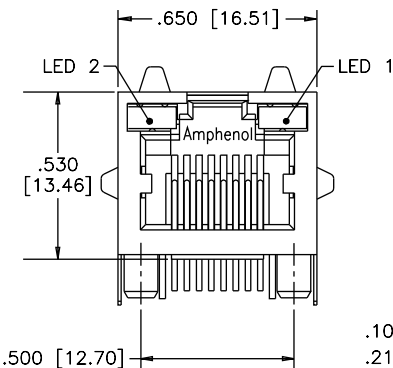
SIDE VIEW



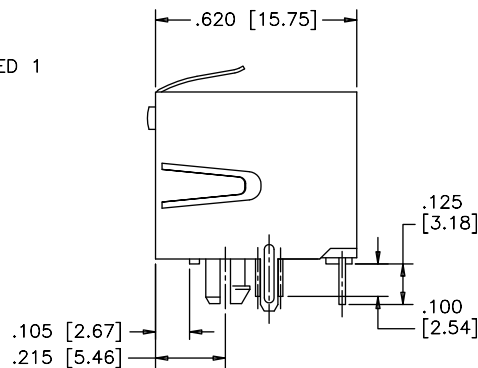
RECOMMENDED PCB LAYOUT

Shielded

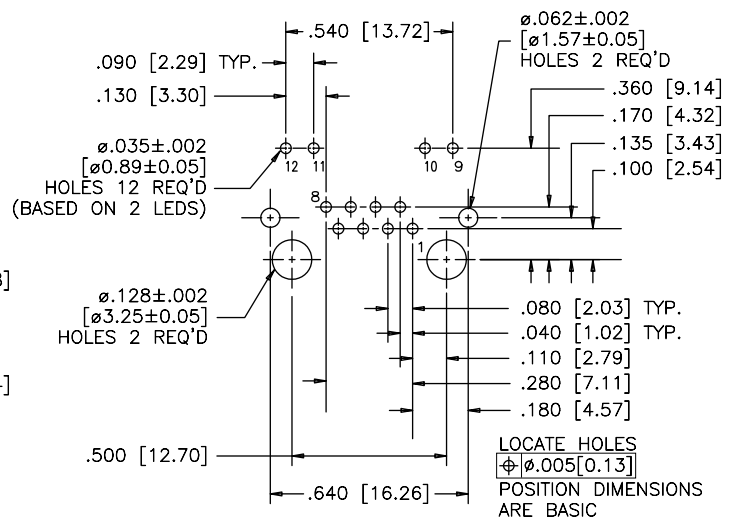
RJESE-848X-X1



FRONT VIEW



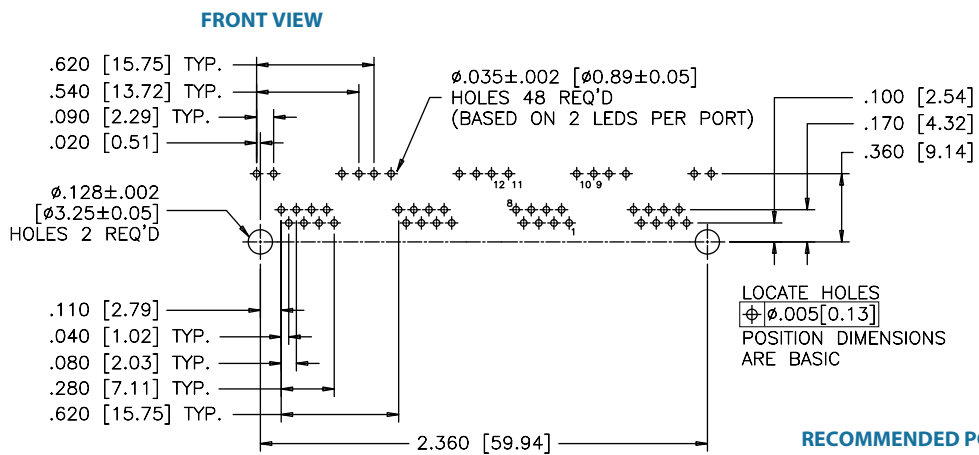
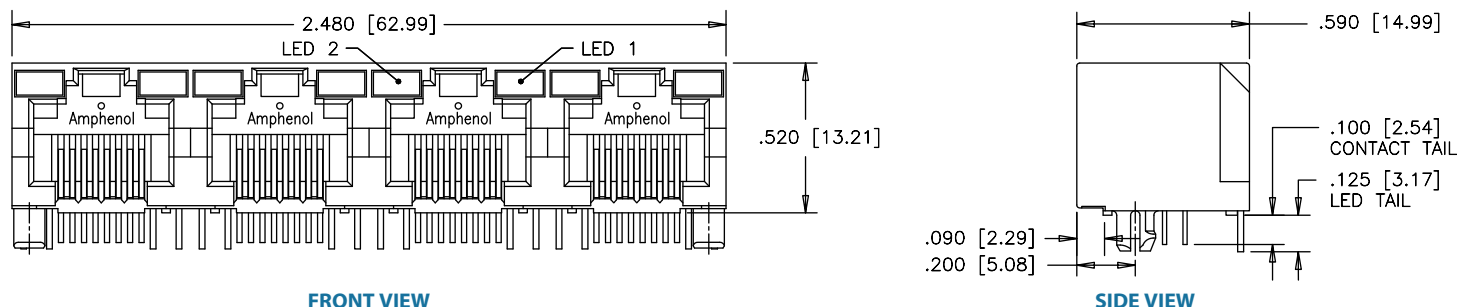
SIDE VIEW



RECOMMENDED PCB LAYOUT

Multi Port Non-Shielded

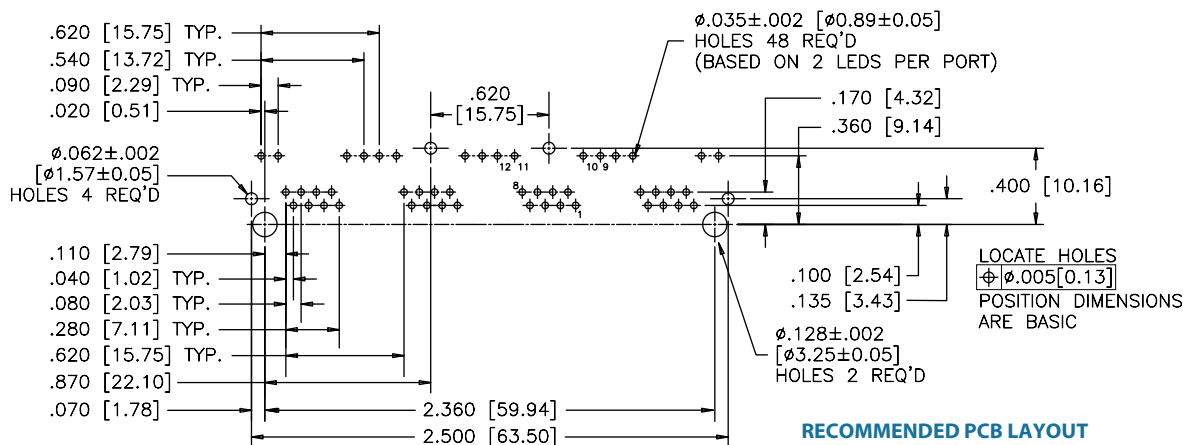
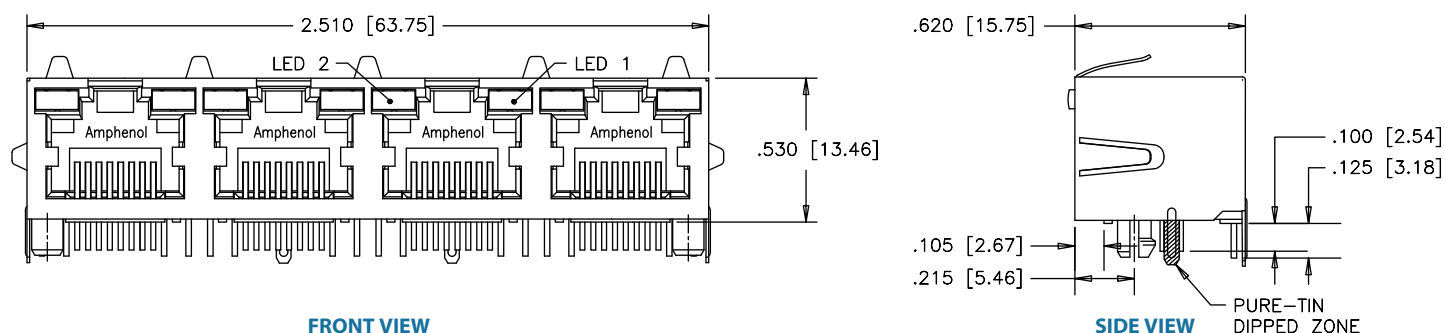
RJESE-808X-X4



RECOMMENDED PCB LAYOUT

Shielded

RJESE-838X-X4



RECOMMENDED PCB LAYOUT

RJE37

TAB UP, SINGLE PORT, LOW PROFILE, WITH LEDs

TAB UP, SINGLE PORT, LOW PROFILE, WITH LEDs

Single port through-hole (THT) series with multiple shield and LED options. Similar to our single port RJHSE series, but with a slightly lower profile and longer body. Inverted latch orientation for easy mating with industry standard plugs.



SPECIFICATIONS

Material

| | |
|-------------------|--|
| Insulator: | High temp. thermoplastic; Complies with UL 94V-0; Black |
| Contacts: | Phosphor bronze hard temper with gold thickness options (6µ", 15µ", 30µ", 50µ") over 50µ" min. nickel on contact mating area; 100µ" min. matte tin plating on soldering tail |
| Shield: | Stainless steel with tin dipped tails |
| LED: | Tin plating on LED tails |

Mechanical

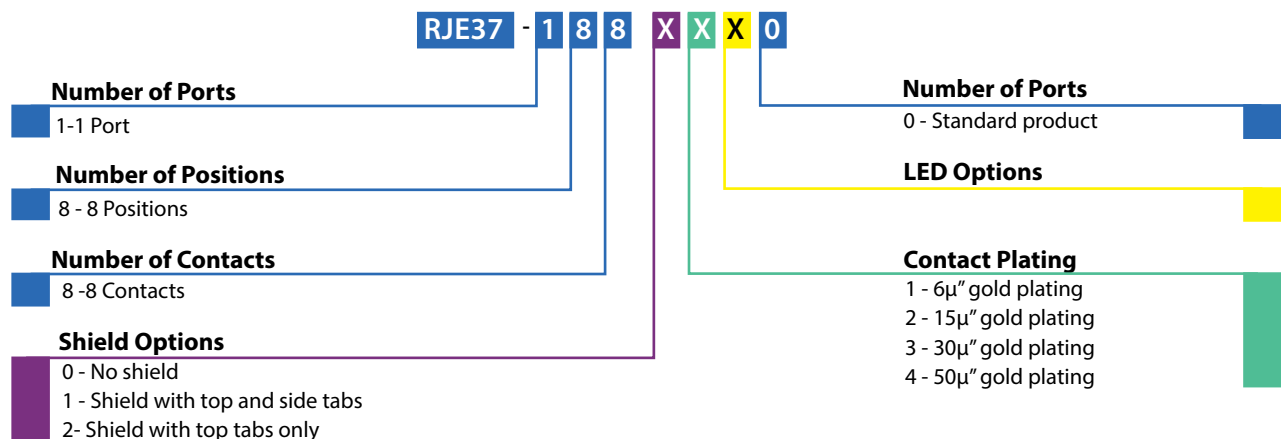
| | |
|---|--|
| Insertion Force: | 5 lbs max. |
| Pull Retention Force: | 20 lbs min. |
| Durability: | 750 mating & unmating cycles |
| Recommended Soldering Temperature: | Wave soldering peaked at 260°C for 5 secs max. |
| Operating Temperature: | -55°C to +85°C |

*Note: Connectors without LEDs are suitable for IR Reflow

Electrical

| | |
|---------------------------------|---|
| Contact Resistance | 20 mΩ max. |
| Insulation resistance: | 500 MΩ min. at 500V DC for 2 mins max. |
| Current Rating: | 1.5 Amps per contact |
| Voltage Rating: | 125 Volts AC |
| DWV: | 1000 VAC, 60 Hz. 1 min. |
| LED Forward DC Current : | 20mA typical |
| LED Forward Voltage: | 2.6 Volts max. at 2mA |
| LED Reverse Voltage: | 5 Volts min. |
| LED Light Intensity: | 0.4 to 1.5 mcd min. at 2mA (for single colours) 0.5 mcd min. at 2mA (for bicolours) |
| LED Wave Length: | Yellow: 585 ± 7 nm measured at 20mA Green: 568 ± 6 nm measured at 20mA Red: 640 ± 5 nm measured at 20mA |

ORDERING INFORMATION



Didn't find what you were looking for?

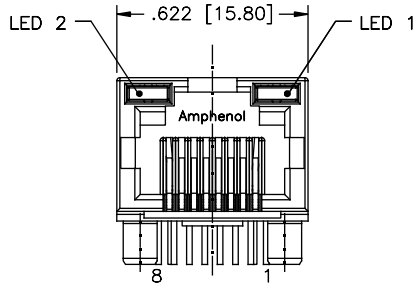
Please contact sales@amphenolcanada.com and let us know what you need.

RJE37

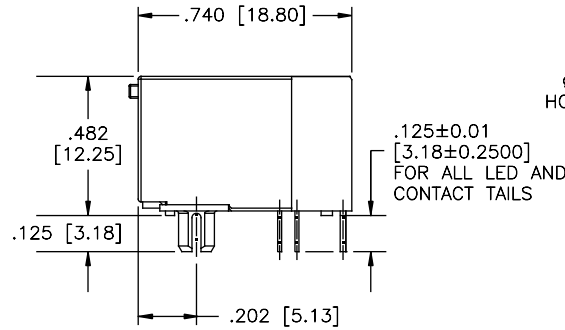
TAB UP, SINGLE PORT, LOW PROFILE, WITH LEDs

Single Port Non-Shielded

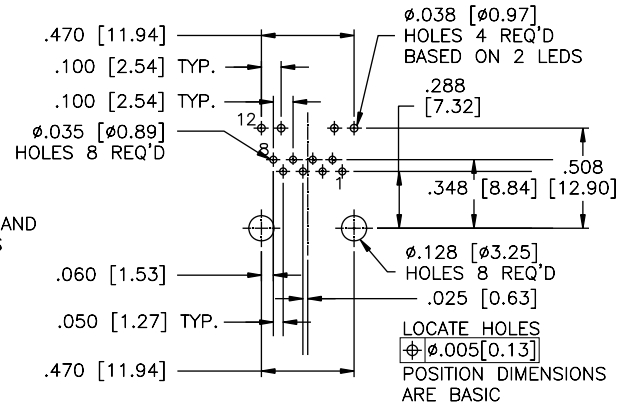
RJE37-188-0XX0



FRONT VIEW



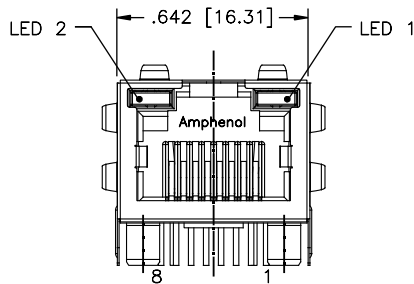
SIDE VIEW



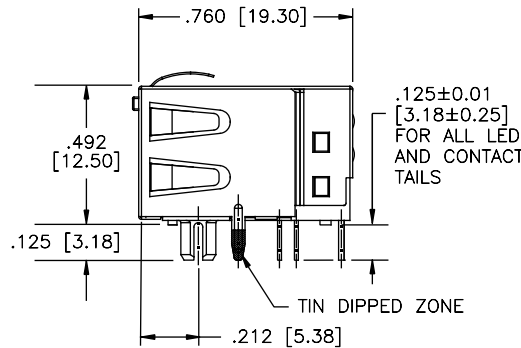
RECOMMENDED PCB LAYOUT

Shielded - With Full Tabs

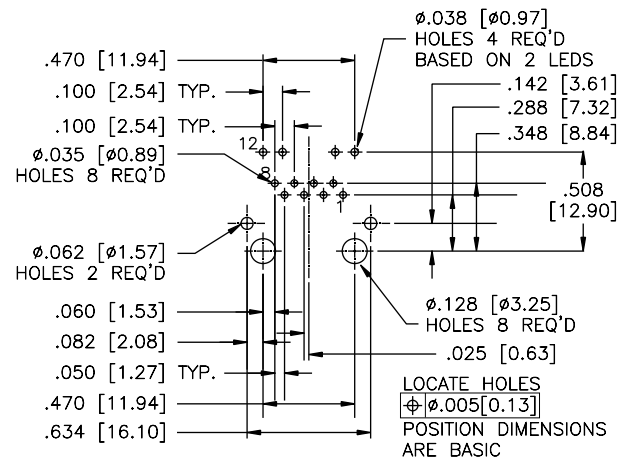
RJE37-188-1XX0



FRONT VIEW



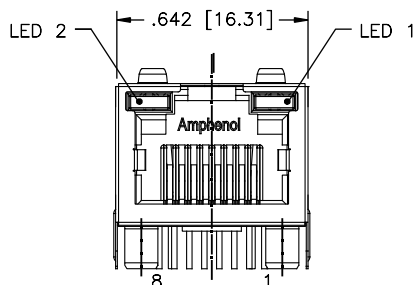
SIDE VIEW



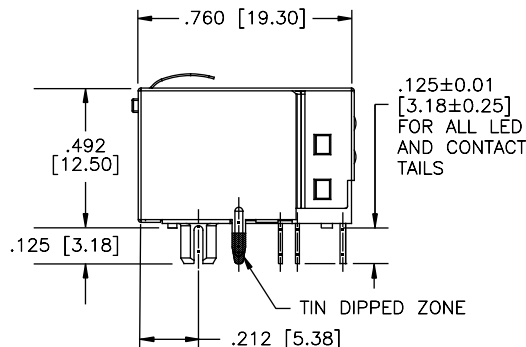
RECOMMENDED PCB LAYOUT

Shielded - With Top Tabs Only

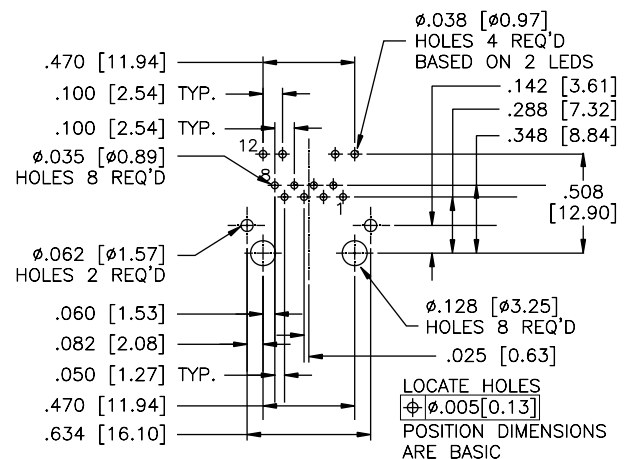
RJE37-188-2XX0



FRONT VIEW



SIDE VIEW



RECOMMENDED PCB LAYOUT

RJE39

TAB UP, NARROW, TWO AND EIGHT PORT

TAB UP, NARROW, TWO AND EIGHT PORT

Single and eight port through-hole (THT) series with multiple shield and LED options. Similar to the RJHSE series, but with a narrower profile. This series is ideal for programs that need multiple connectors, but have limited PCB space.



SPECIFICATIONS

Material

| | |
|-------------------|--|
| Insulator: | High temp. thermoplastic; Complies with UL 94V-0; Black |
| Contacts: | Phosphor bronze hard temper with gold thickness options (6 μ ", 15 μ ", 30 μ ", 50 μ ") over 50 μ " min. nickel on contact mating area; 100 μ " min. matte tin plating on soldering tail |
| Shield: | Stainless steel with tin dipped tails |
| LED: | Tin plating on LED tails |

Mechanical

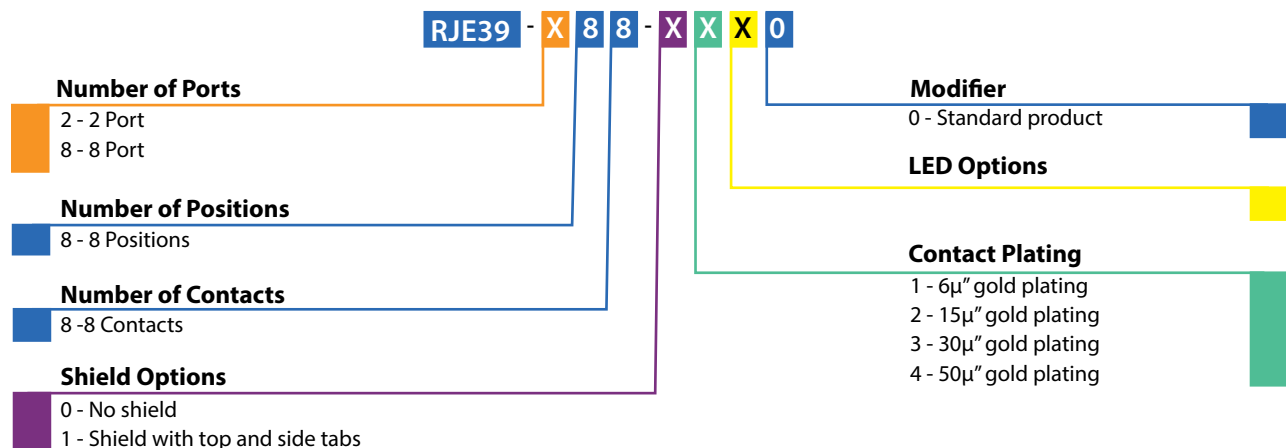
| | |
|---|--|
| Insertion Force: | 5 lbs max. |
| Pull Retention Force: | 20 lbs min. |
| Durability: | 750 mating & unmating cycles |
| Recommended Soldering Temperature: | Wave soldering peaked at 260°C for 5 secs max. |
| Operating Temperature: | -55°C to +85°C |

*Note: Connectors without LEDs are suitable for IR Reflow

Electrical

| | |
|--------------------------------|---|
| Contact Resistance | 20 m Ω max. |
| Insulation resistance: | 500 M Ω min. at 500V DC for 2 mins max. |
| Current Rating: | 1.5 Amps per contact |
| Voltage Rating: | 125 Volts AC |
| DWV: | 1000 VAC, 60 Hz. 1 min. |
| LED Forward DC Current: | 20mA typical |
| LED Forward Voltage: | 2.6 Volts max. at 2mA (for single colour) |
| LED Reverse Voltage: | 5 Volts min. |
| LED Light Intensity: | 4.5 to 6.0 mcd min. at 20mA (for single colours) |
| LED Wave Length: | Yellow: 588 \pm 7 nm measured at 20mA Green: 570 \pm 6 nm measured at 20mA Red: 628 \pm 5 nm measured at 20mA |

ORDERING INFORMATION



Didn't find what you were looking for?

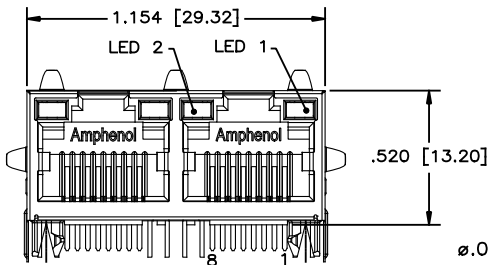
Please contact sales@amphenolcanada.com and let us know what you need.

RJE39

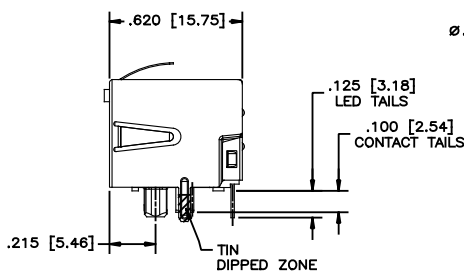
TAB UP, NARROW, TWO AND EIGHT PORT

Two Port Shielded

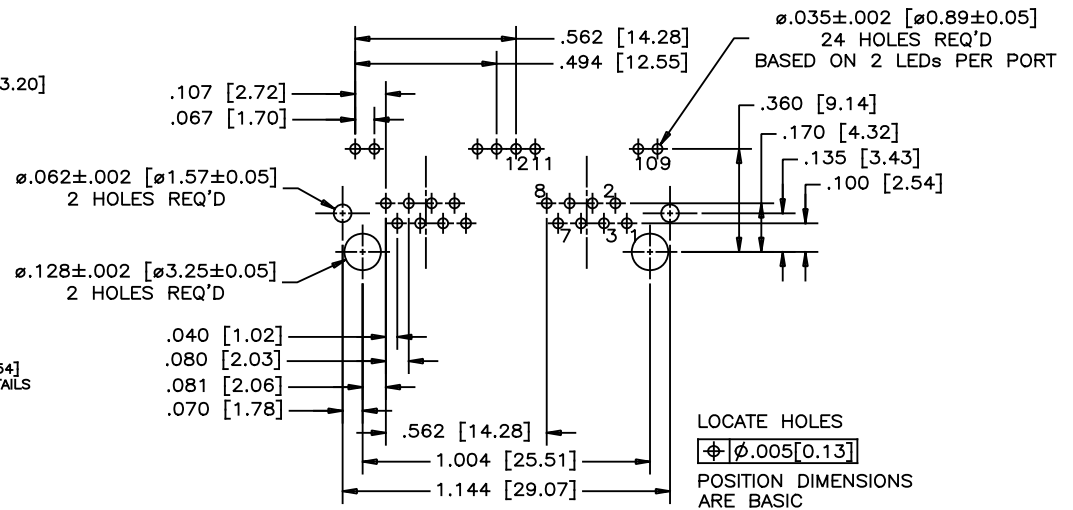
RJE39-288-1XX0



FRONT VIEW



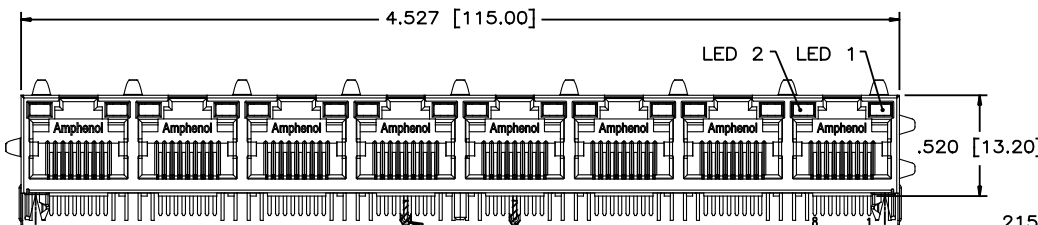
SIDE VIEW



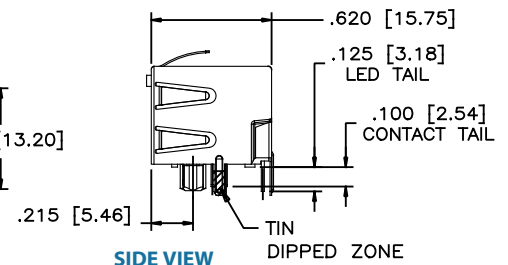
RECOMMENDED PCB LAYOUT

Eight Port Shielded

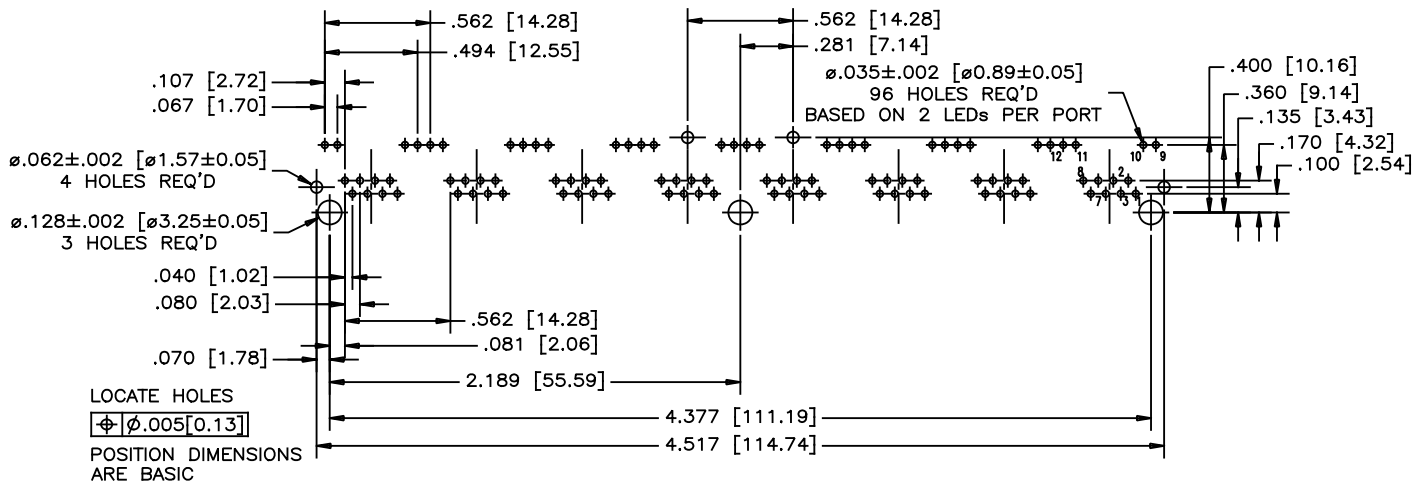
RJE39-888-1XX0



FRONT VIEW



SIDE VIEW



RECOMMENDED PCB LAYOUT

RJE01

TAB UP, RJ11 (SIX POSITION)

TAB UP, RJ11 (SIX POSITION)

The RJE01 series of 6-position jacks are designed for superior EMI performance. The inverted connector provides shorter leads, eliminating the EMI antenna effect of the standard connector footprint. Typical performance improvement over their standard connector counterparts is 5-10 dB over the frequency range.



SPECIFICATIONS

Material

| | |
|-------------------|--|
| Insulator: | High temp. thermoplastic; Complies with UL 94V-0; Black |
| Contacts: | Phosphor bronze hard temper with gold thickness options (6 μ ", 15 μ ", 30 μ ", 50 μ ") over 50 μ " min. nickel on contact mating area; 100 μ " min. matte tin plating on soldering tail |
| Shield: | Stainless steel with tin dipped tails |

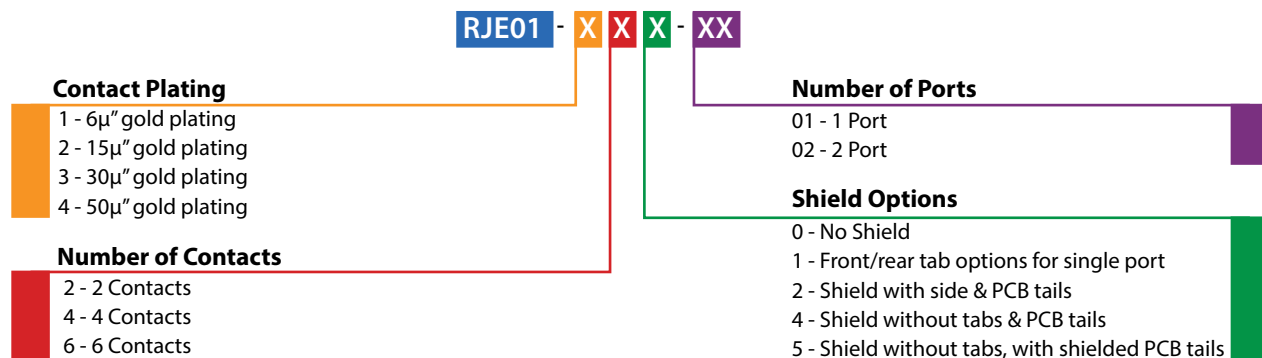
Electrical

| | |
|-------------------------------|--|
| Contact Resistance | 20 m Ω max. |
| Insulation resistance: | 500 M Ω min. at 500V DC for 2 mins max. |
| Current Rating: | 1.5 Amps per contact |
| Voltage Rating: | 125 Volts AC |
| DWV: | 1000 VAC, 60 Hz. 1 min. |

Mechanical

| | |
|---|--|
| Insertion Force: | 5 lbs max. |
| Pull Retention Force: | 20 lbs min. |
| Durability: | 750 mating & unmating cycles |
| Recommended Soldering Temperature: | Wave soldering peaked at 260°C for 5 secs max. |
| Operating Temperature: | -55°C to + 85°C |
| UL File #: | E135615 |
| CSA File #: | LR685398 |

ORDERING INFORMATION



Didn't find what you were looking for?

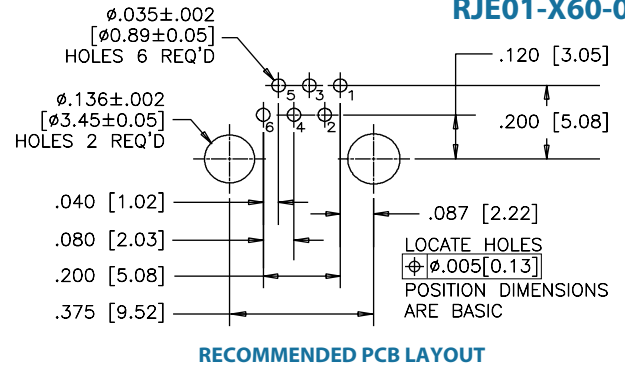
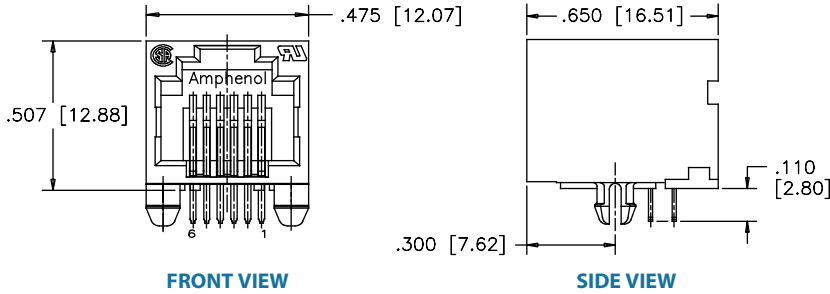
Please contact sales@amphenolcanada.com and let us know what you need.

RJE01

TAB UP, RJ11 (SIX POSITION)

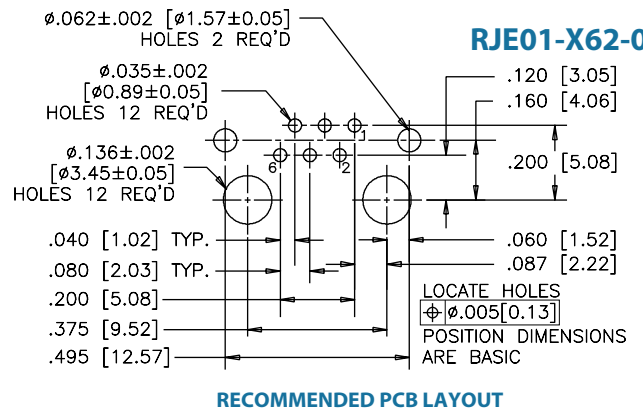
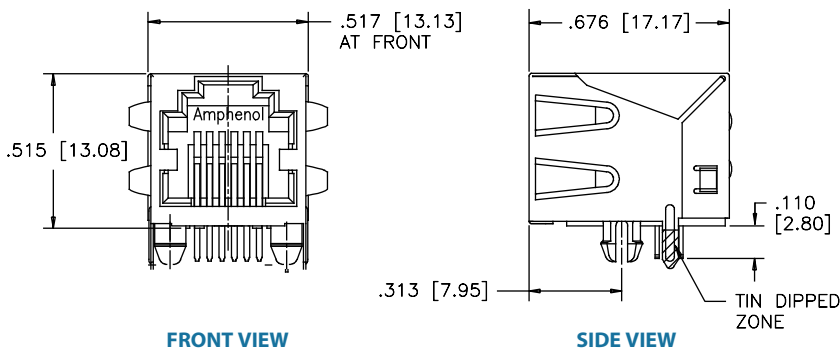
Single Port

Non-Shielded



RJE01-X60-01

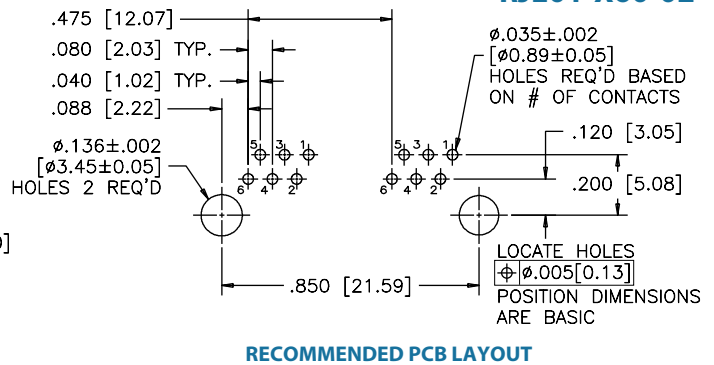
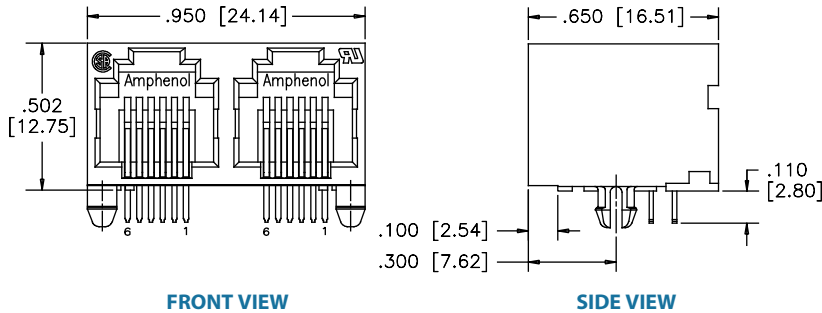
Shielded



RJE01-X62-01

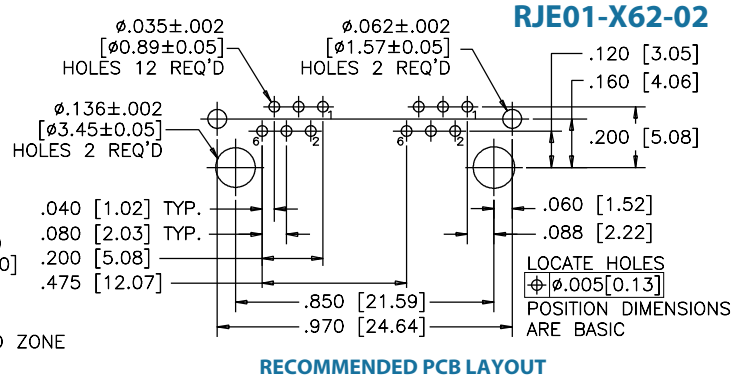
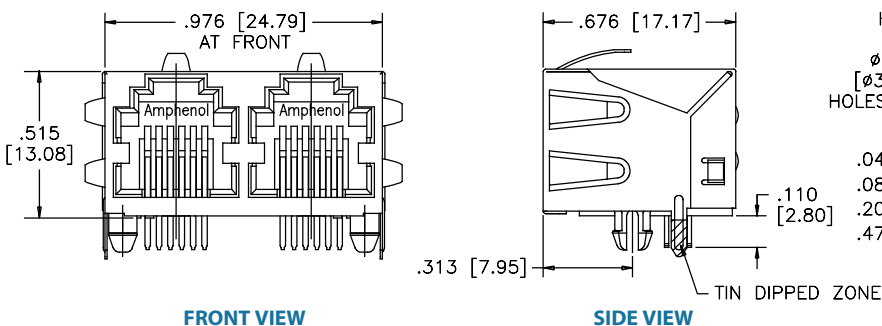
Multi Port

Non-Shielded



RJE01-X60-02

Shielded



RJE01-X62-02

RJSBE

TAB DOWN, 1, 2 AND 4 PORT WITH LEDs

TAB DOWN, 1, 2 AND 4 PORT WITH LEDs

The RJSBE series of modular jacks supports Ethernet Protocols. Shielding is available with or without a Ferrite Filter filter for increased EMI performance and LEDs for link activity and network speed verification.



SPECIFICATIONS

Material

| | |
|-------------------|--|
| Insulator: | High temp. thermoplastic; Complies with UL 94V-0; Black |
| Contacts: | Phosphor bronze hard temper with gold thickness options (6 μ "", 15 μ "", 30 μ "", 50 μ "") over 50 μ " min. nickel on contact mating area; 100 μ " min. matte tin plating on soldering tail |
| Shield: | Copper alloy; nickel plated with tin dipped tails |
| LED: | Tin plating on LED tails |

Mechanical

| | |
|---|--|
| Insertion Force: | 5 lbs max. |
| Pull Retention Force: | 20 lbs min. |
| Durability: | 750 mating & unmating cycles |
| Recommended Soldering Temperature: | Wave soldering peaked at 260°C for 5 secs max. |
| Operating Temperature: | -55°C to + 85°C |
| UL File #: | E135615 |
| CSA File #: | LR685398 |

Note* Connectors without LEDs are suitable for IR Reflow

Electrical

| | |
|--------------------------------|---|
| Contact Resistance | 20 m Ω max. |
| Insulation resistance: | 500 M Ω min. at 500V DC for 2 mins max. |
| Current Rating: | 1.5 Amps per contact |
| Voltage Rating: | 125 Volts AC |
| DWV: | 1000 VAC, 60 Hz. 1 min. |
| LED Forward DC Current: | 20mA typical |
| LED Forward Voltage: | 1.9 Volts max. at 2mA (for single colours) 2.6 Volts max. at 2mA (for bicolours) |
| LED Reverse Voltage: | 5 Volts min. |
| LED Light Intensity: | 0.4 to 1.5 mcd min. at 2mA (for single colours) 0.5 mcd min. at 2mA (for bicolours) |
| LED Wave Length: | Yellow: 587 \pm 7 nm measured at 20mA Green: 565 \pm 6 nm measured at 20mA Red: 625 \pm 5 nm measured at 20mA |

ORDERING INFORMATION

RJSBE - X X X X - C X

Version

5 - 8 Positions, 50 μ " gold plating
7 - 6 Positions, 50 μ " gold plating
D - 8 Positions, 6 μ " gold plating
G - 8 Positions, 15 μ " gold plating
J - 8 Positions, 30 μ " gold plating

Shield Options

0 - No shield
2 - Shield with top and side tabs, filtered
3 - Shield with top and side tabs, no filter
F - Shield with no tabs, no filter

Number of Ports

Blank - 1 Port
02 - 2 Ports
04 - 4 Ports

LED Options

Number of Contacts

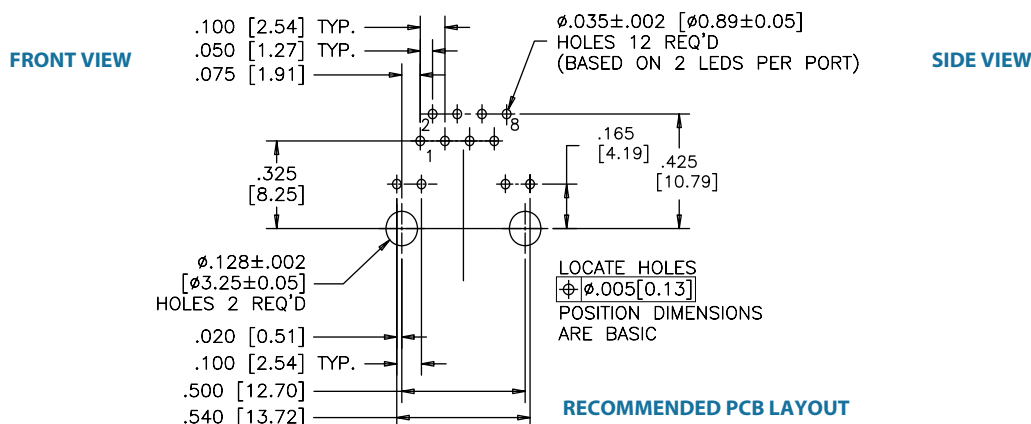
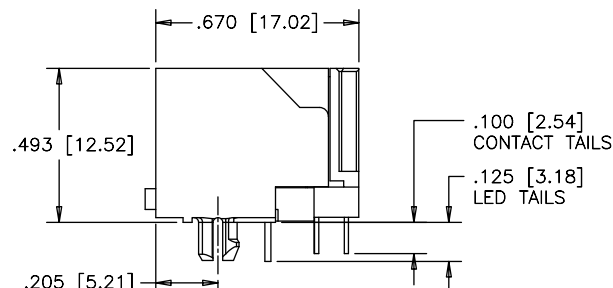
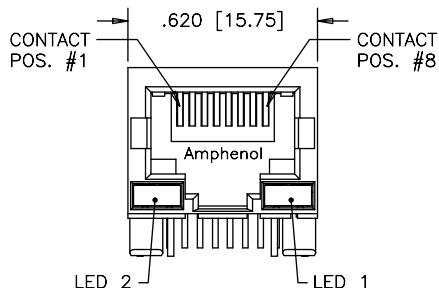
4 - 4 Contacts
6 - 6 Contacts
8 - 8 Contacts

Didn't find what you were looking for?

Please contact sales@amphenolcanada.com and let us know what you need.

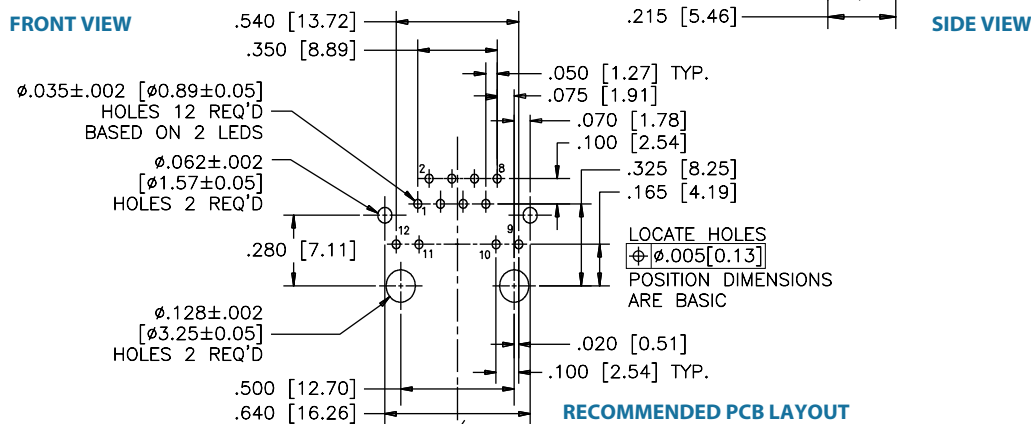
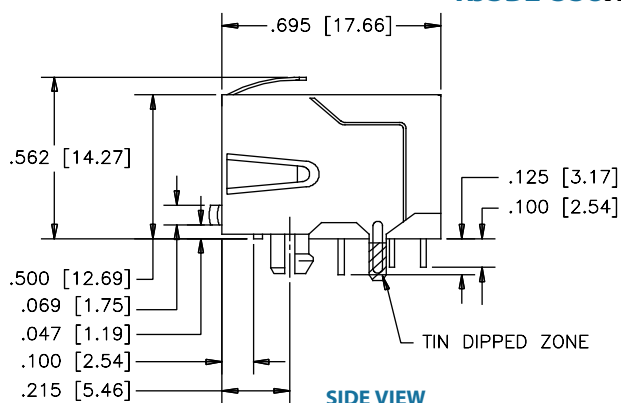
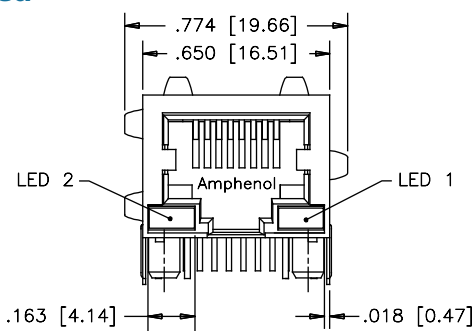
Single Port Non-Shielded

RJSBE-508X-C1



Shielded

RJSBE-538X-C1

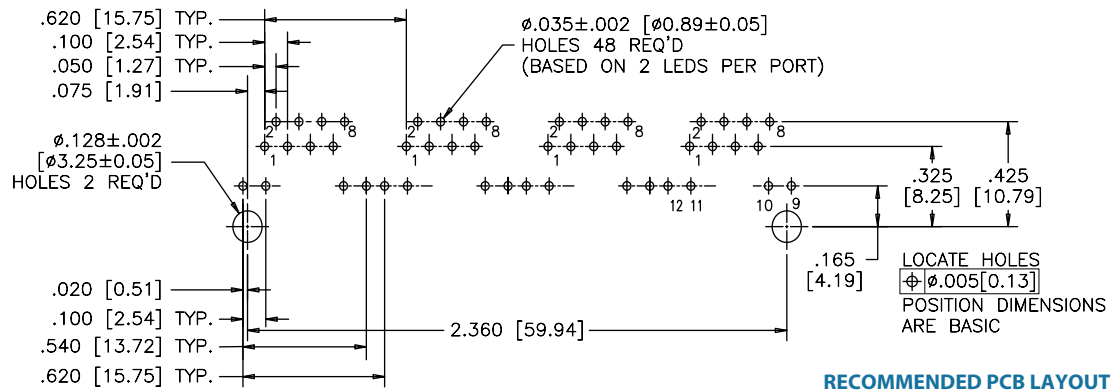
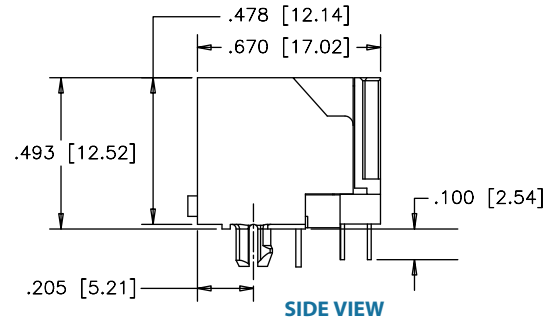
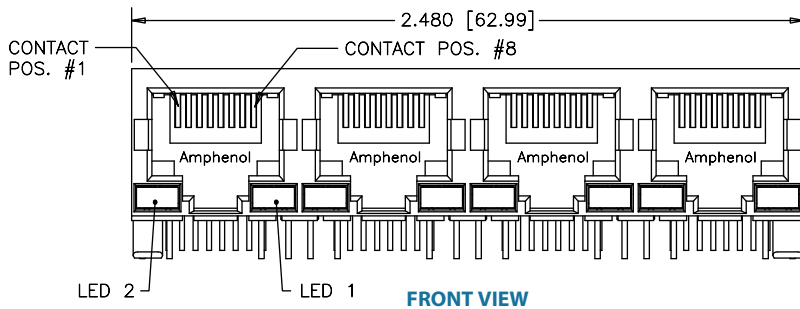


RJSBE

TAB DOWN, 1, 2 AND 4 PORT WITH LEDs

Multi Port Non-Shielded

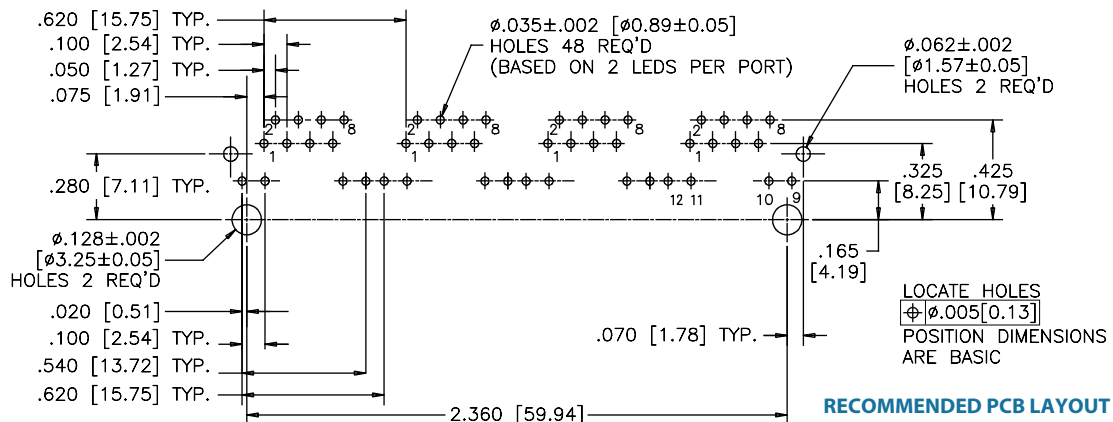
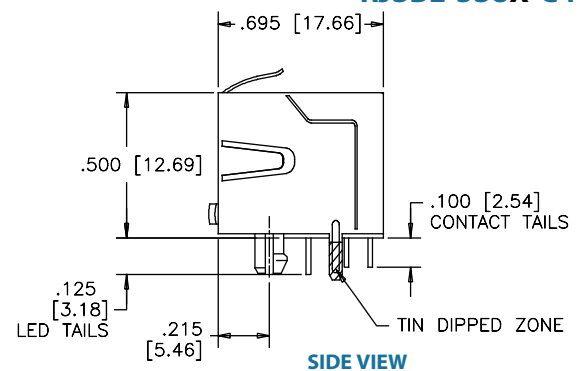
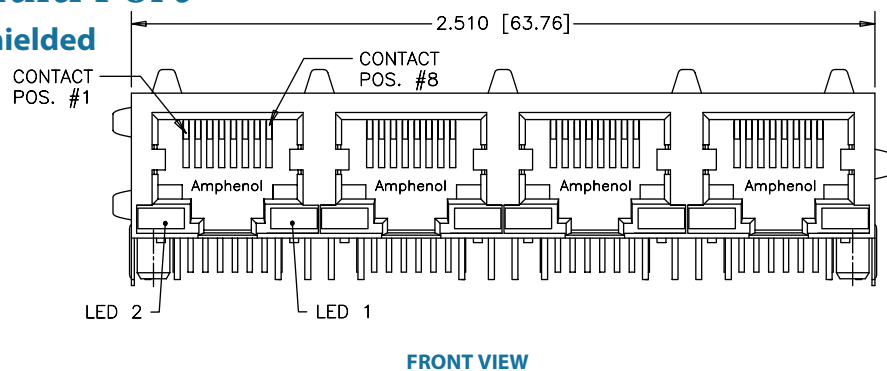
RJSBE-508X-C4



RECOMMENDED PCB LAYOUT

Multi Port Shielded

RJSBE-538X-C4



RECOMMENDED PCB LAYOUT

TAB DOWN, FILTERED AND SHIELDED

The FRJAE series of shielded and filtered modular jacks offer low cost and effective EMC control within standard RJ11 & RJ45 connector footprints. EMC control is offered by a completely shielded connector and/or with the use of a high resistivity, high impedance Ferrite Block. No board layout changes are required for its use. Simply replace the standard non-filtered connector for superior EMC performance.



SPECIFICATIONS

Material

| | |
|-------------------|--|
| Insulator: | High temp. thermoplastic; Complies with UL 94V-0; Black |
| Contacts: | Phosphor bronze hard temper with gold thickness options (6 μ ", 15 μ ", 30 μ ", 50 μ ") over 50 μ " min. nickel on contact mating area; 100 μ " min. matte tin plating on soldering tail |
| Shield: | Copper alloy; nickel plated with tin dipped tails |
| Filter: | High impedance, high resistivity ferrite Block |

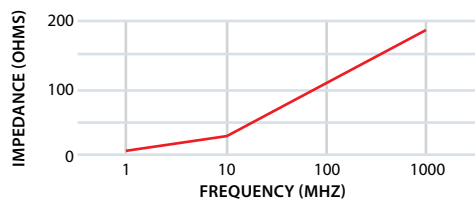
Electrical

| | |
|-------------------------------|--|
| Contact Resistance | 20 m Ω max. |
| Insulation resistance: | 500 M Ω min. at 500V DC for 2 mins max. |
| Current Rating: | 1.5 Amps per contact |
| Voltage Rating: | 125 Volts AC |
| DWV: | 1000 VAC, 60 Hz. 1 min. |

Mechanical

| | |
|---|--|
| Insertion Force: | 5 lbs max. |
| Pull Retention Force: | 20 lbs min. |
| Durability: | 750 mating & unmating cycles |
| Recommended Soldering Temperature: | Wave soldering peaked at 260°C for 5 secs max. |
| Operating Temperature: | -55°C to +85°C |
| UL File #: | E135615 |
| CSA File #: | LR68598 |

IMPEDANCE CHARACTERISTICS



ORDERING INFORMATION

FRJAE - X X X - XX

Version

- 4 - 8 Positions
- 6 - 6 Positions

Shield Options

- 0 - Non-filtered without shield
- 1 - Filtered with front tab shield
- 3 - Non-filtered with front tab shield
- 4 - Filtered without shield
- 6 - Filtered with rear tab shield
- 7 - Filtered without PCB tails shield
- 8 - Non-filtered with rear tab shield

Number of Ports

- Blank - 1 Port
- 02 - 2 Ports
- 04 - 4 Ports
- 06 - 6 Ports
- 08 - 8 Ports

Number of Contacts

- 2 - 2 Contacts
- 4 - 4 Contacts
- 6 - 6 Contacts
- 8 - 8 Contacts

Didn't find what you were looking for?

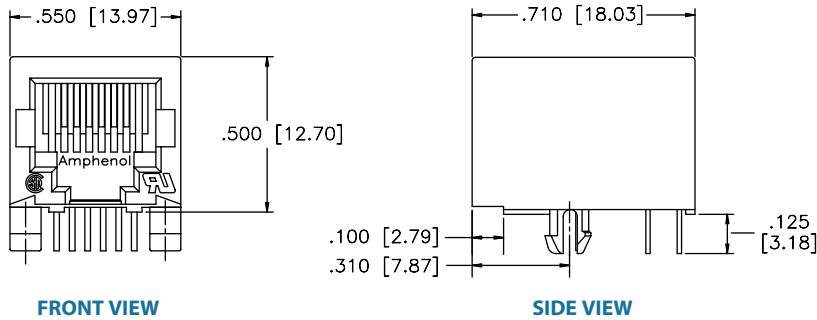
Please contact sales@amphenolcanada.com and let us know what you need.

FRJAE

TAB DOWN, FILTERED AND SHIELDED

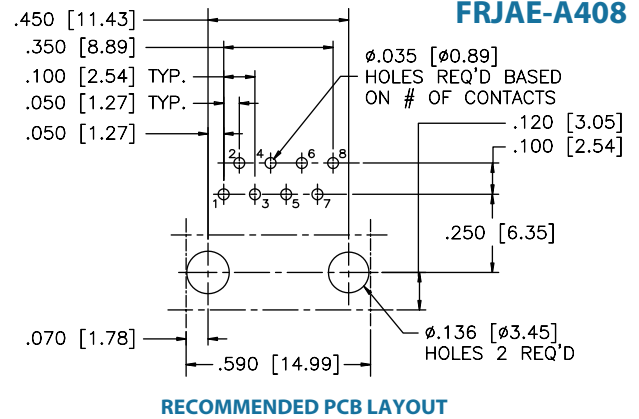
Single Port

Non-Shielded



FRONT VIEW

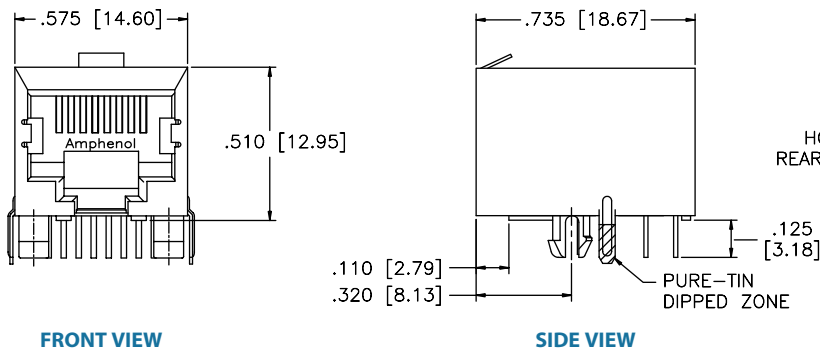
SIDE VIEW



RECOMMENDED PCB LAYOUT

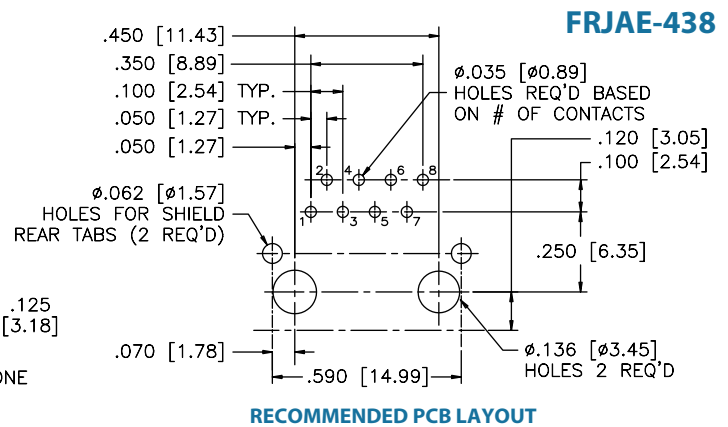
FRJAE-A408

Shielded



FRONT VIEW

SIDE VIEW

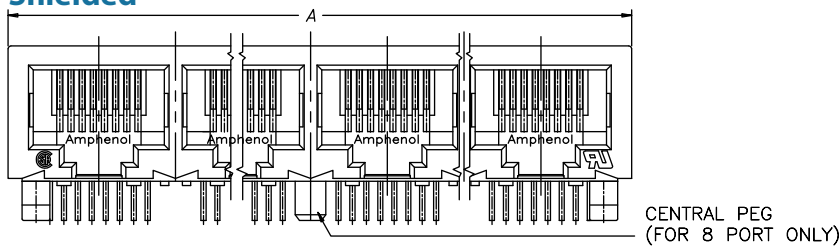


RECOMMENDED PCB LAYOUT

FRJAE-438

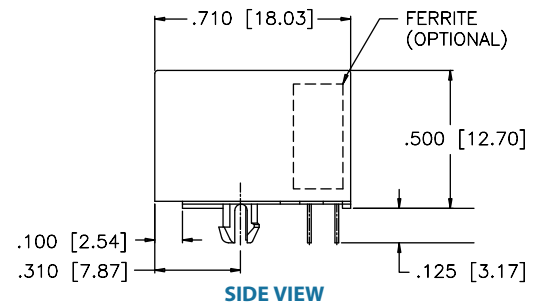
Multi Port

Non-Shielded



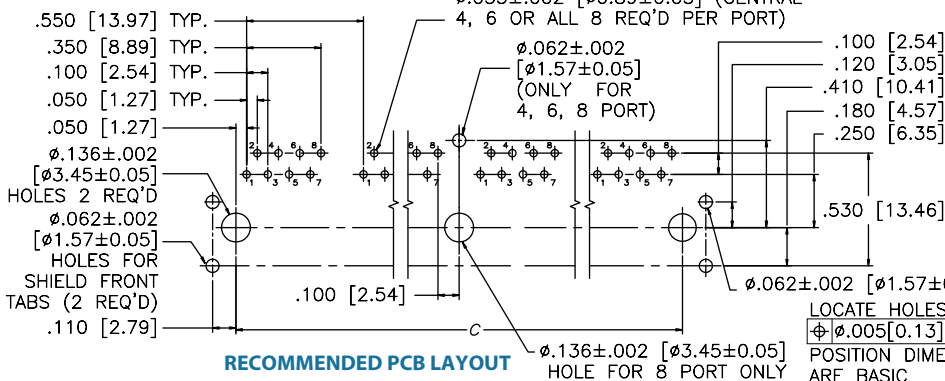
FRONT VIEW

CENTRAL PEG (FOR 8 PORT ONLY)



SIDE VIEW

FRJAE-4X8-0X



RECOMMENDED PCB LAYOUT

LOCATE HOLES
 ϕ .005 [0.13]
 POSITION DIMENSIONS
 ARE BASIC

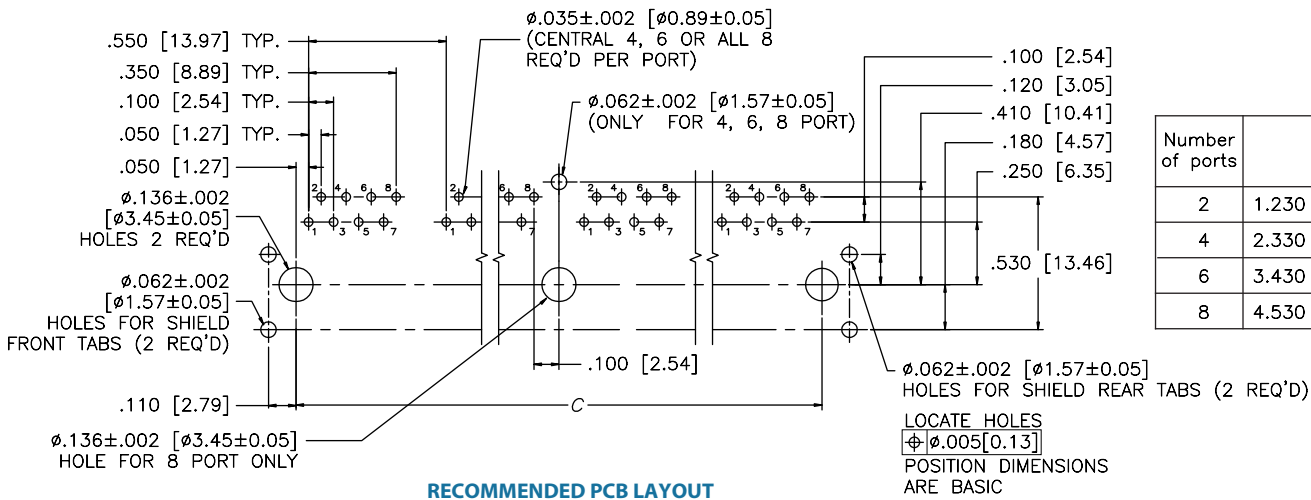
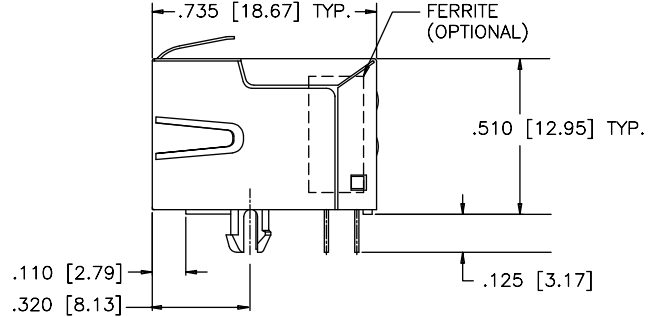
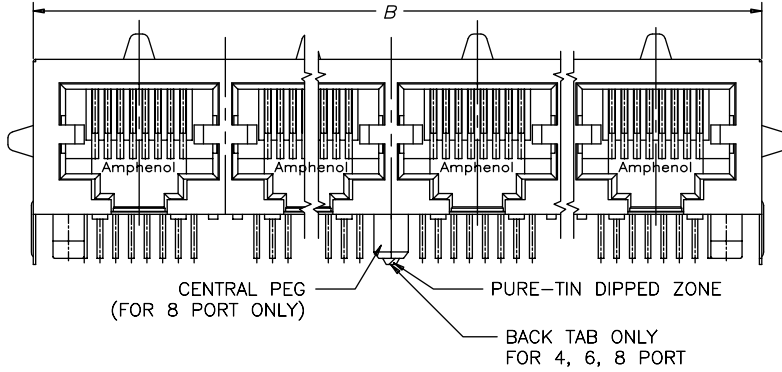
| Number of ports | A | C |
|-----------------|----------------|----------------|
| 2 | 1.200 [30.48] | 1.000 [25.40] |
| 4 | 2.300 [58.42] | 2.100 [53.34] |
| 6 | 3.400 [86.36] | 3.200 [81.28] |
| 8 | 4.500 [114.30] | 4.300 [109.22] |

FRJAE

TAB DOWN, FILTERED AND SHIELDED

Multi Port Shielded

FRJAE-418-0X



| Number of ports | B | C |
|-----------------|----------------|----------------|
| 2 | 1.230 [31.24] | 1.000 [25.40] |
| 4 | 2.330 [59.18] | 2.100 [53.34] |
| 6 | 3.430 [87.12] | 3.200 [81.28] |
| 8 | 4.530 [115.06] | 4.300 [109.22] |

Notes

RJE02

TAB DOWN, SINGLE PORT, HIGH PROFILE

TAB DOWN, SINGLE PORT, HIGH PROFILE

RJE02 series is a group of products within a family of standard modular jacks designed to meet requirements for a variety of applications options within the RJE02 family include options with and without a panel stops, and RJ11 & RJ45 configurations.



SPECIFICATIONS

Material

| | |
|-------------------|--|
| Insulator: | High temp. thermoplastic; Complies with UL 94V-0; Black |
| Contacts: | Phosphor bronze hard temper with gold thickness options (6μ", 15μ", 30μ", 50μ") over 50μ" min. nickel on contact mating area; 100μ" min. matte tin plating on soldering tail |
| Shield: | Copper alloy; nickel plated with tin dipped tail |

Electrical

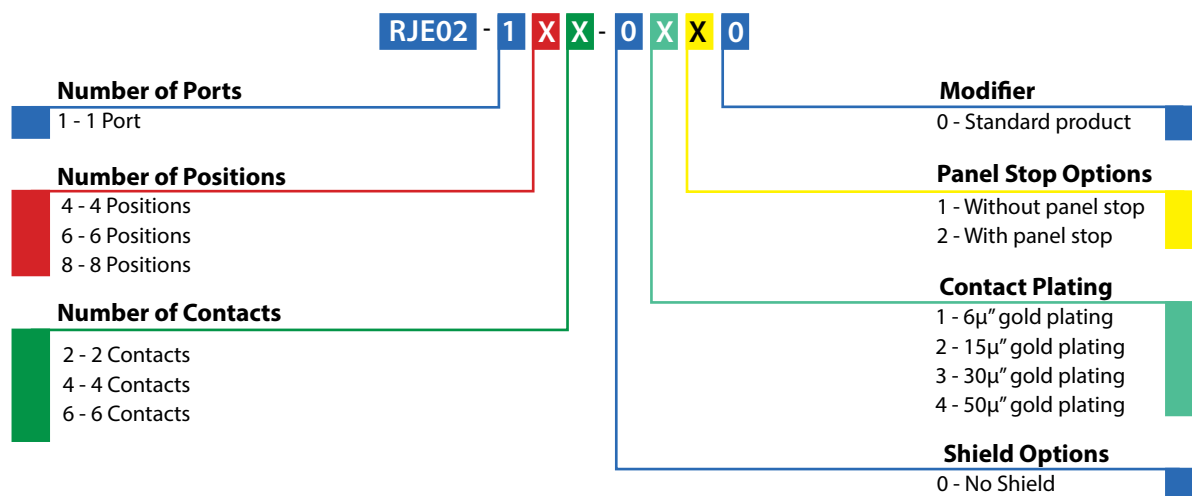
| | |
|-------------------------------|--|
| Contact Resistance | 20 mΩ max. |
| Insulation resistance: | 500 MΩ min. at 500V DC for 2 mins max. |
| Current Rating: | 1.5 Amps per contact |
| Voltage Rating: | 125 Volts AC |
| DWV: | 1500 VAC, 60 Hz. 1 min. |

Mechanical

| | |
|---|--|
| Insertion Force: | 5 lbs max. |
| Pull Retention Force: | 20 lbs min. |
| Durability: | 750 mating & unmating cycles |
| Recommended Soldering Temperature: | Wave soldering peaked at 260°C for 5 secs max. |
| Operating Temperature: | - 40°C to + 85°C |

**Note: Connectors with high temp. material are suitable for IR Reflow*

ORDERING INFORMATION



Didn't find what you were looking for?

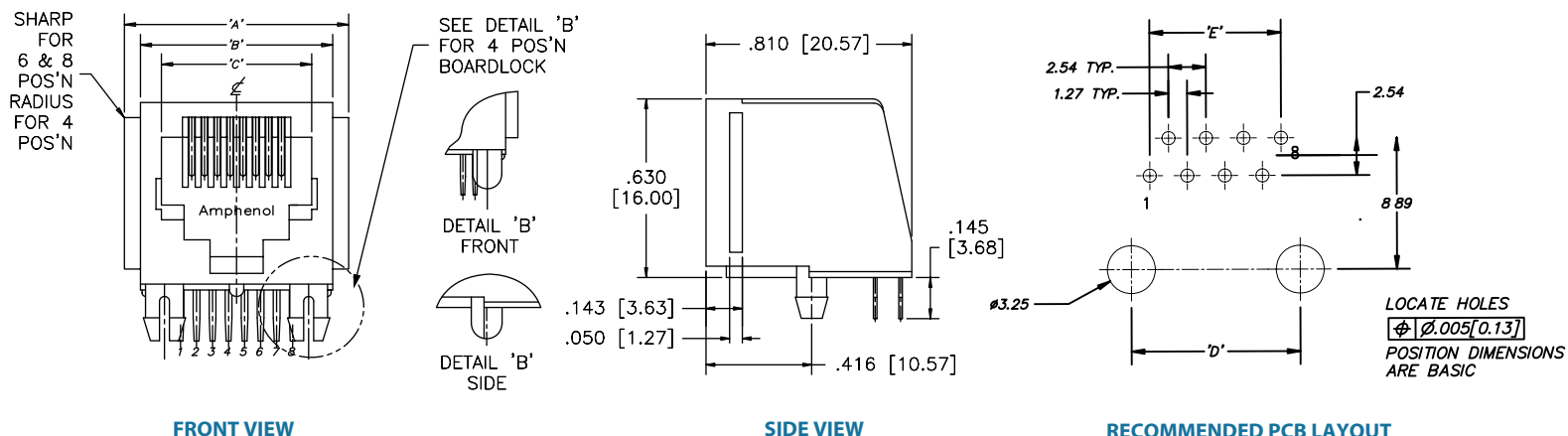
Please contact sales@amphenolcanada.com and let us know what you need.

RJE02

TAB DOWN, SINGLE PORT, HIGH PROFILE

Single Port Non-Shielded

RJE02-1XX-0X20



FRONT VIEW

SIDE VIEW

RECOMMENDED PCB LAYOUT

| Part # | No. of Positions | No. of Contacts | Dimensions | | | | |
|----------------|------------------|-----------------|--------------|--------------|--------------|--------------|-------------|
| | | | A | B | C | D | E |
| RJE02-142-0X20 | 4 | 2 | .540 [13.72] | .440 [11.18] | .309 [7.85] | .300 [7.62] | .050 [1.27] |
| RJE02-144-0X20 | 4 | 4 | .540 [13.72] | .440 [11.18] | .309 [7.85] | .300 [7.62] | .150 [3.81] |
| RJE02-162-0X20 | 6 | 2 | .620 [15.75] | .520 [13.21] | .389 [9.88] | .400 [10.16] | .050 [1.27] |
| RJE02-164-0X20 | 6 | 4 | .620 [15.75] | .520 [13.21] | .389 [9.88] | .400 [10.16] | .150 [3.81] |
| RJE02-166-0X20 | 6 | 6 | .620 [15.75] | .520 [13.21] | .389 [9.88] | .400 [10.16] | .150 [3.81] |
| RJE02-188-0X20 | 8 | 8 | .700 [17.78] | .600 [15.24] | .469 [11.91] | .450 [11.43] | .350 [8.89] |

Notes

RJE03

TAB DOWN, SINGLE PORT, LOW PROFILE

TAB DOWN, SINGLE PORT, LOW PROFILE

RE03 series is a group of products within a family of standard modular jacks designed to meet requirements for a variety of applications. Options within the RJE03 family include shielded and non-shielded, and RJ11 & RJ45 configurations.



SPECIFICATIONS

Material

| | |
|-------------------|--|
| Insulator: | High temp. thermoplastic; Complies with UL 94V-0; Black |
| Contacts: | Phosphor bronze hard temper with gold thickness options (6µ", 15µ", 30µ", 50µ") over 50µ" min. nickel on contact mating area; 100µ" min. matte tin plating on soldering tail |
| Shield: | Copper alloy; nickel plated with tin dipped tail |

Electrical

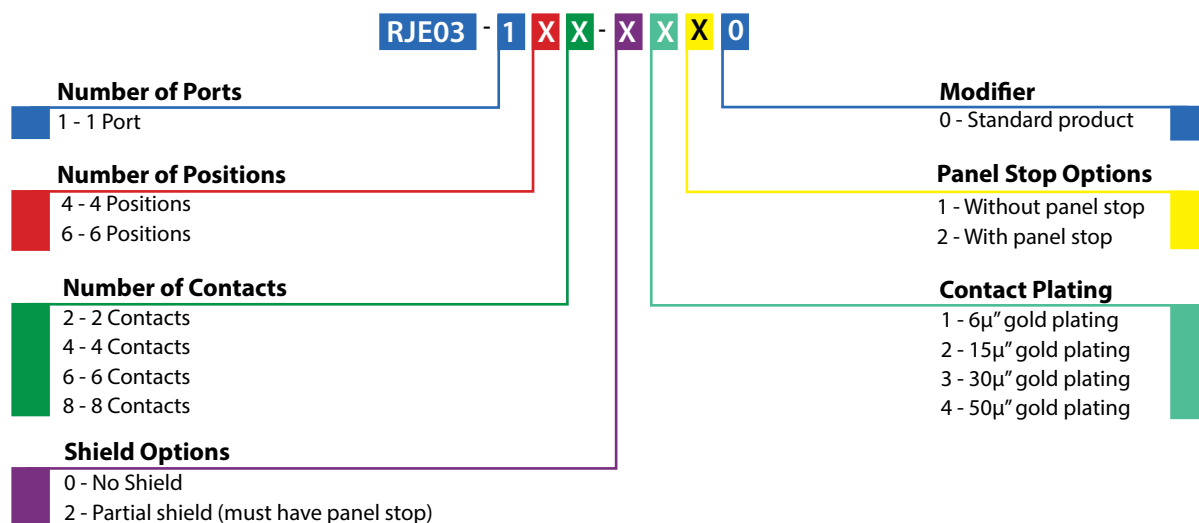
| | |
|-------------------------------|--|
| Contact Resistance | 20 mΩ max. |
| Insulation resistance: | 500 MΩ min. at 500V DC for 2 mins max. |
| Current Rating: | 1.5 Amps per contact |
| Voltage Rating: | 125 Volts AC |
| DWV: | 1000 VAC, 60 Hz. 1 min. |

Mechanical

| | |
|---|--|
| Insertion Force: | 5 lbs max. |
| Pull Retention Force: | 20 lbs min. |
| Durability: | 750 mating & unmating cycles |
| Recommended Soldering Temperature: | Wave soldering peaked at 260°C for 5 secs max. |
| Operating Temperature: | - 40°C to + 85°C |

**Note: Connectors with high temp. material are suitable for IR Reflow*

ORDERING INFORMATION



Didn't find what you were looking for?

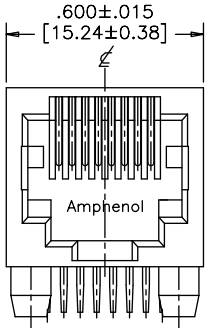
Please contact sales@amphenolcanada.com and let us know what you need.

RJE03

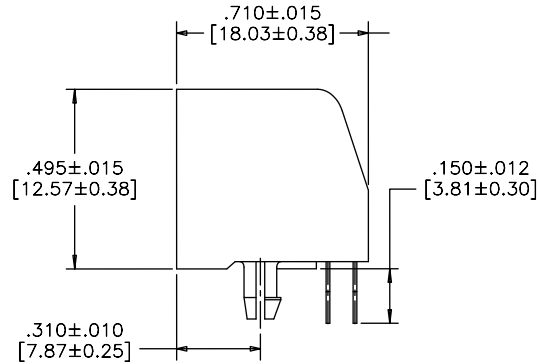
TAB DOWN, SINGLE PORT, LOW PROFILE

Single Port Non-Shielded

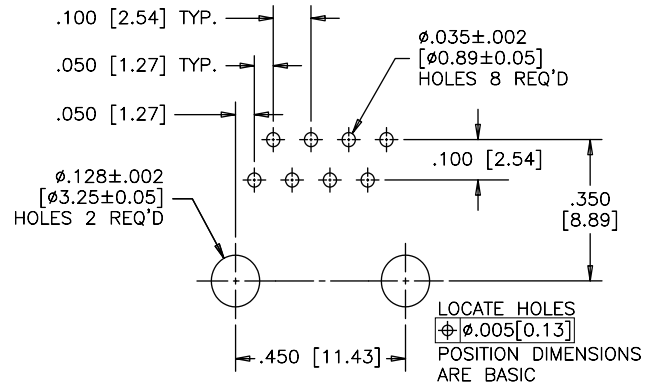
RJE03-188-0X10



FRONT VIEW



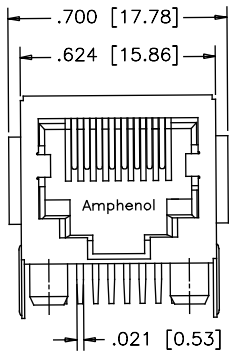
SIDE VIEW



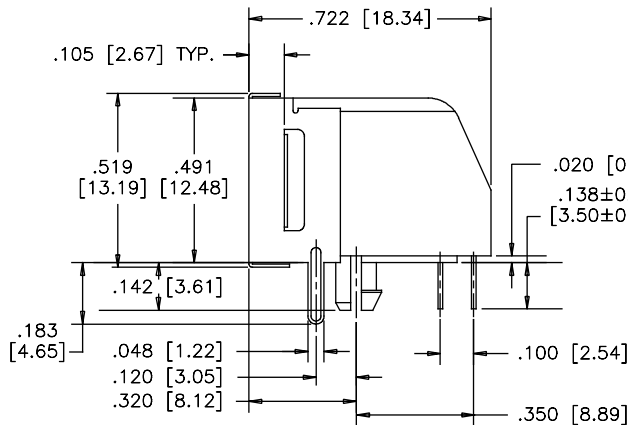
RECOMMENDED PCB LAYOUT

Shielded with Panel Stop

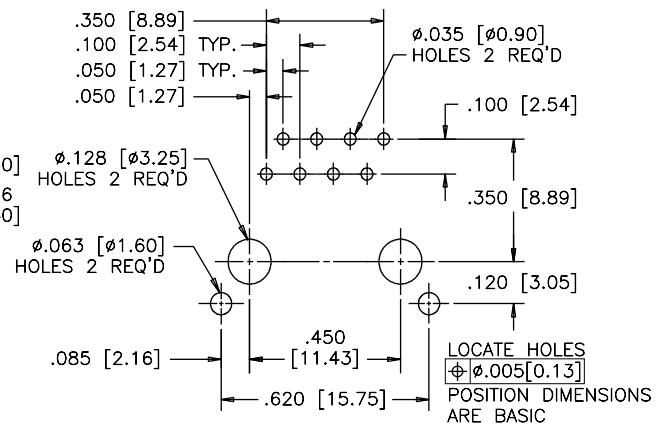
RJE03-188-2X20



FRONT VIEW



SIDE VIEW



RECOMMENDED PCB LAYOUT

Notes

RJE05

TAB DOWN, ULTRA LOW PROFILE

TAB DOWN, ULTRA LOW PROFILE

RJE05 series is a group of products within a family of standard modular jacks designed to meet requirements for a variety of applications. Options within the RJE05 family include shielded or non-shielded, and RJ11 & RJ45 configurations.



SPECIFICATIONS

Material

| | |
|-------------------|--|
| Insulator: | High temp. thermoplastic; Complies with UL 94V-0; Black |
| Contacts: | Phosphor bronze hard temper with gold thickness options (6 μ ", 15 μ ", 30 μ ", 50 μ ") over 50 μ " min. nickel on contact mating area; 100 μ " min. matte tin plating on soldering tail |
| Shield: | Copper alloy; nickel plated with tin dipped tail |

Electrical

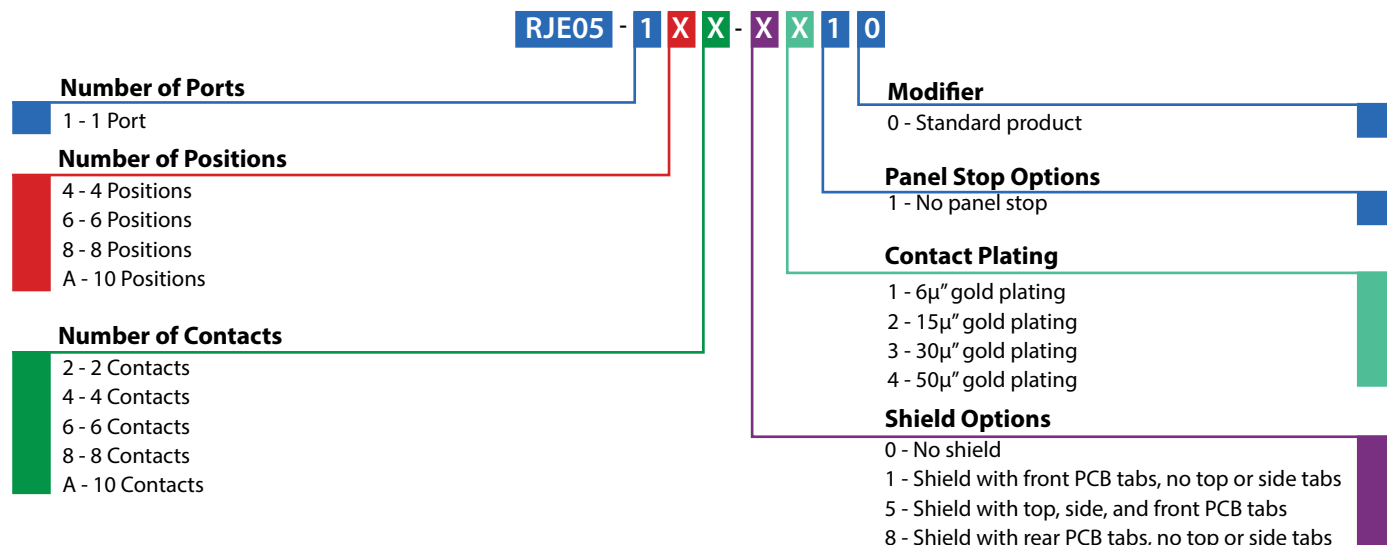
| | |
|-------------------------------|--|
| Contact Resistance | 20 m Ω max. |
| Insulation resistance: | 500 M Ω min. at 500V DC for 2 mins max. |
| Current Rating: | 1.5 Amps per contact |
| Voltage Rating: | 125 Volts AC |
| DWV: | 1000 VAC, 60 Hz. 1 min. |

Mechanical

| | |
|---|--|
| Insertion Force: | 5 lbs max. |
| Pull Retention Force: | 20 lbs min. |
| Durability: | 750 mating & unmating cycles |
| Recommended Soldering Temperature: | Wave soldering peaked at 260°C for 5 secs max. |
| Operating Temperature: | - 40°C to + 85°C |
| UL File #: | E135615 |

*Note: Connectors with high temp. material are suitable for IR Reflow

ORDERING INFORMATION



Didn't find what you were looking for?

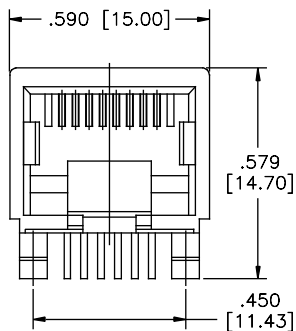
Please contact sales@amphenolcanada.com and let us know what you need.

RJE05

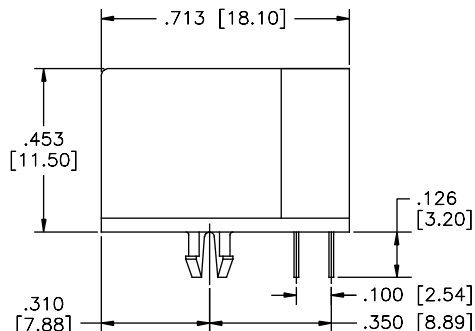
TAB DOWN, ULTRA LOW PROFILE

Single Port Non-Shielded

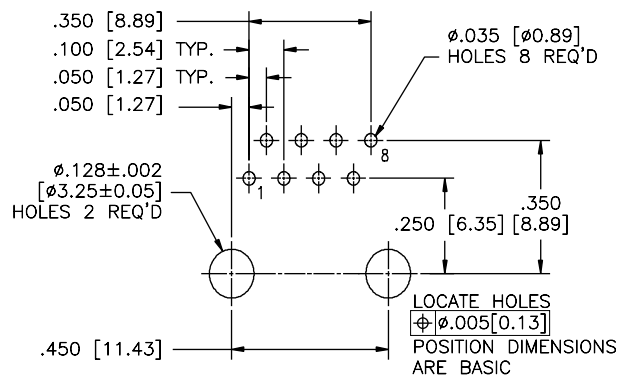
RJE05-188-0X10



FRONT VIEW



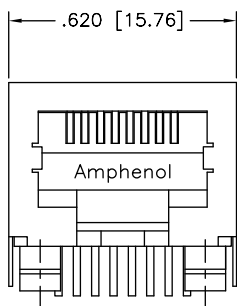
SIDE VIEW



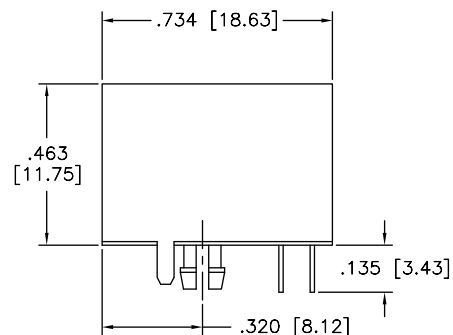
RECOMMENDED PCB LAYOUT

Shielded with Front PCB Tabs

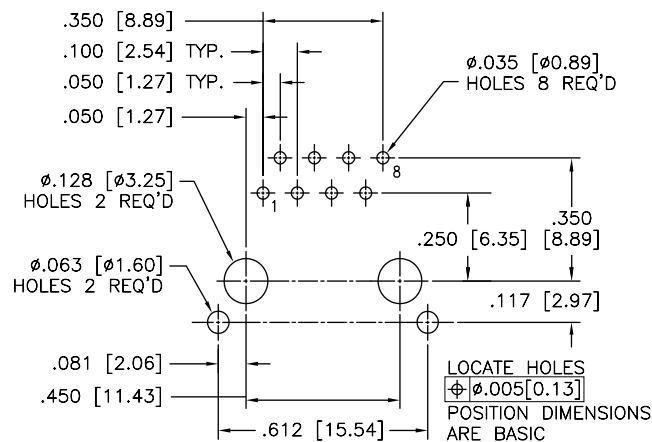
RJE05-188-1X10



FRONT VIEW



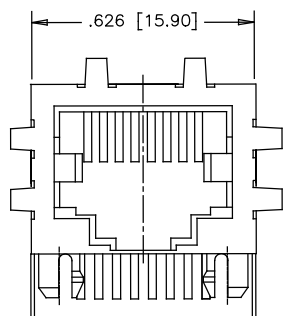
SIDE VIEW



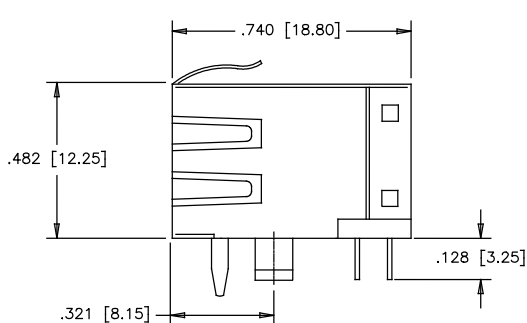
RECOMMENDED PCB LAYOUT

Shielded with Top, Side, and Front PCB Tabs

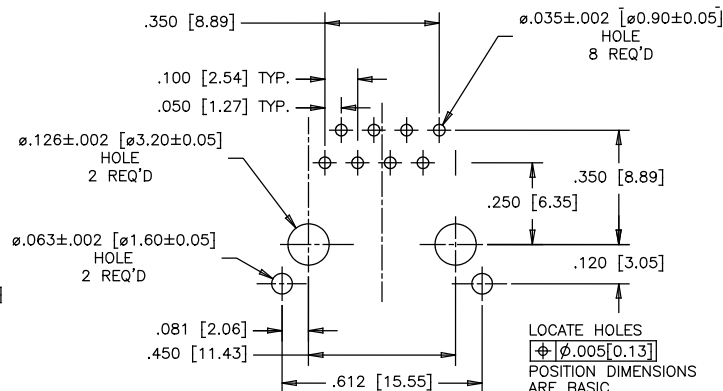
RJE05-188-5X10



FRONT VIEW



SIDE VIEW



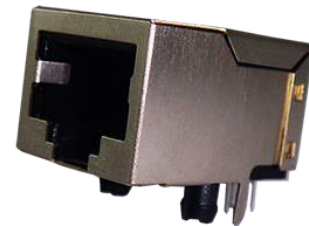
RECOMMENDED PCB LAYOUT

RJE09

TAB DOWN, STANDARD PROFILE

TAB DOWN, STANDARD PROFILE

RJE09 series is a group of products within a family of standard modular jacks designed to meet requirements for a variety of applications. Options with the RJE09 family include shielded & non-shielded, and RJ11 & RJ45.



SPECIFICATIONS

Material

| | |
|-------------------|--|
| Insulator: | High temp. thermoplastic; Complies with UL 94V-0; Black |
| Contacts: | Phosphor bronze hard temper with gold thickness options (6 μ ", 15 μ ", 30 μ ", 50 μ ") over 50 μ " min. nickel on contact mating area; 100 μ " min. matte tin or gold flash plating on soldering tail |
| Shield: | Copper alloy; nickel plated all over |

Electrical

| | |
|-------------------------------|--|
| Contact Resistance | 20 m Ω max. |
| Insulation resistance: | 500 M Ω min. at 500V DC for 2 mins max. |
| Current Rating: | 1.5 Amps per contact |
| Voltage Rating: | 125 Volts AC |
| DWV: | 1000 VAC, 60 Hz. 1 min. |

Mechanical

| | |
|---|--|
| Insertion Force: | 5 lbs max. |
| Pull Retention Force: | 20 lbs min. |
| Durability: | 750 mating & unmating cycles |
| Recommended Soldering Temperature: | Wave soldering peaked at 260 $^{\circ}$ C for 5 to 8 secs max. |
| Operating Temperature: | - 40 $^{\circ}$ C to + 70 $^{\circ}$ C |
| UL File #: | E136228 |

ORDERING INFORMATION

RJE09 - X X X - X X X 0

Number of Ports

- 1 - 1 Port
- 2 - 2 Ports
- 4 - 4 Ports
- 6 - 6 Ports
- 8 - 8 Ports

Number of Positions

- 6 - 6 Positions
- 8 - 8 Positions
- A - 10 Positions

Number of Contacts

- 4 - 4 Contacts
- 6 - 6 Contacts
- 8 - 8 Contacts
- A - 10 Contacts

Modifier

- 0 - Standard product

Panel Stop Options

- 1 - No panel stop
- 2 - With panel stop

Contact Plating

- 1 - 6 μ " gold plating
- 2 - 15 μ " gold plating
- 3 - 30 μ " gold plating
- 4 - 50 μ " gold plating

Shield Options

- 0 - No shield
- 1 - Shield with front PCB tabs, no top or side tabs
- 5 - Shield with top, side, and front PCB tabs
- 8 - Shield with rear PCB tabs, no top or side tabs

Didn't find what you were looking for?

Please contact sales@amphenolcanada.com and let us know what you need.

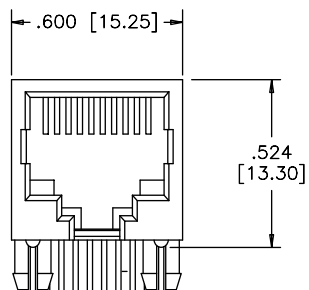
RJE09

TAB DOWN, STANDARD PROFILE

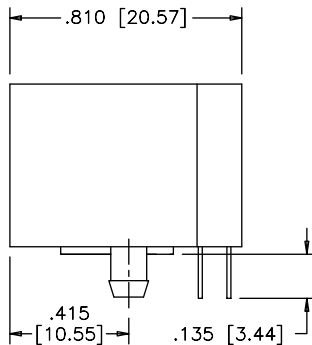
Single Port

Non-Shielded

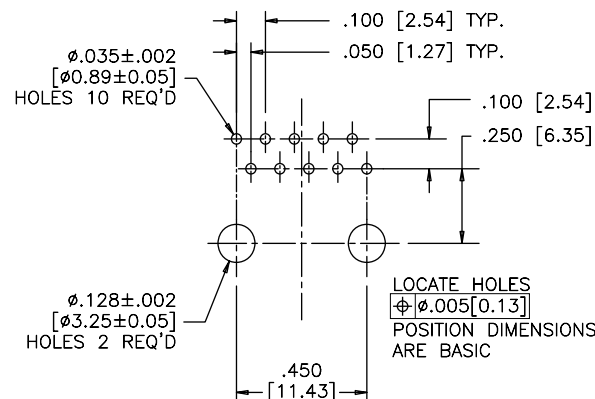
RJE09-1AA-0X10



FRONT VIEW



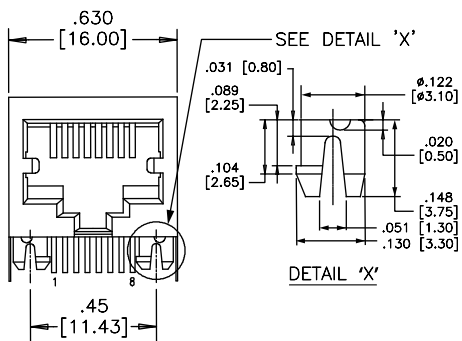
SIDE VIEW



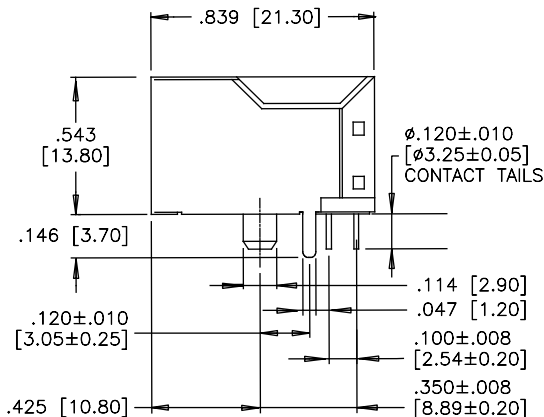
RECOMMENDED PCB LAYOUT

Shielded

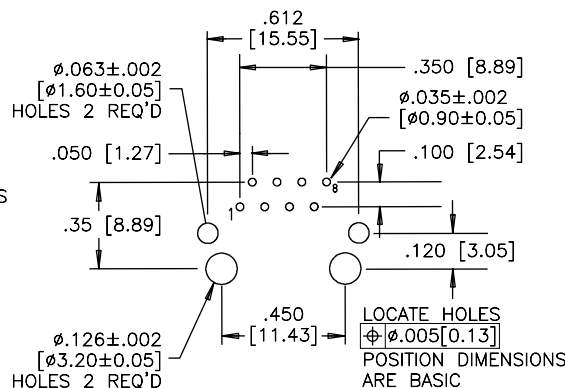
RJE09-188-1X10



FRONT VIEW



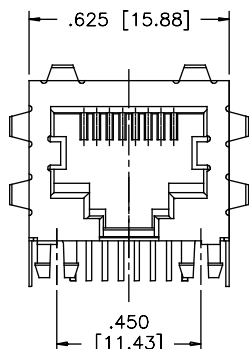
SIDE VIEW



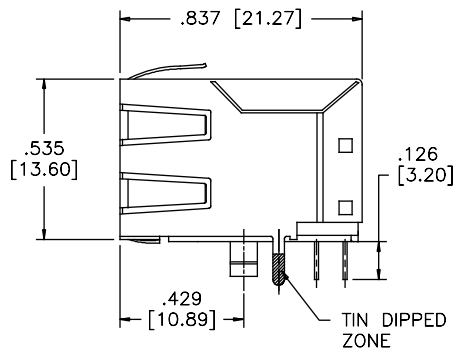
RECOMMENDED PCB LAYOUT

Shielded

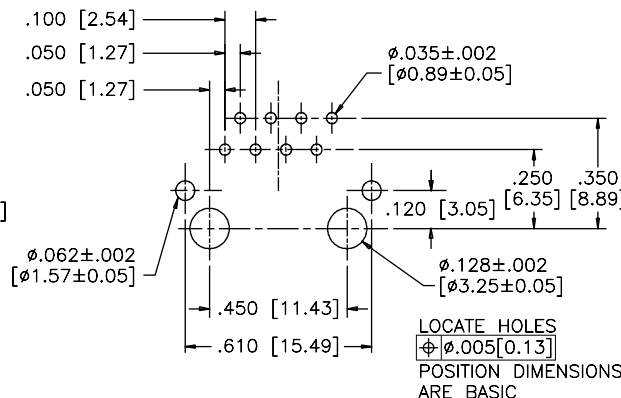
RJE09-188-5X10



FRONT VIEW



SIDE VIEW



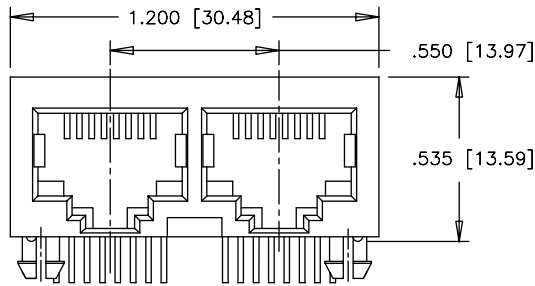
RECOMMENDED PCB LAYOUT

RJE09

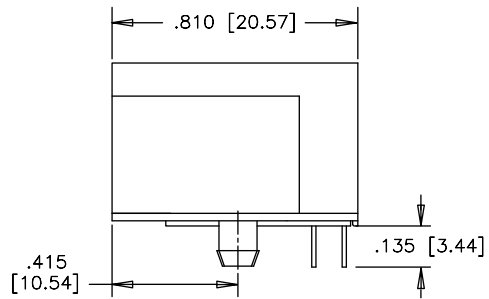
TAB DOWN, STANDARD PROFILE

Multi Port Non-Shielded

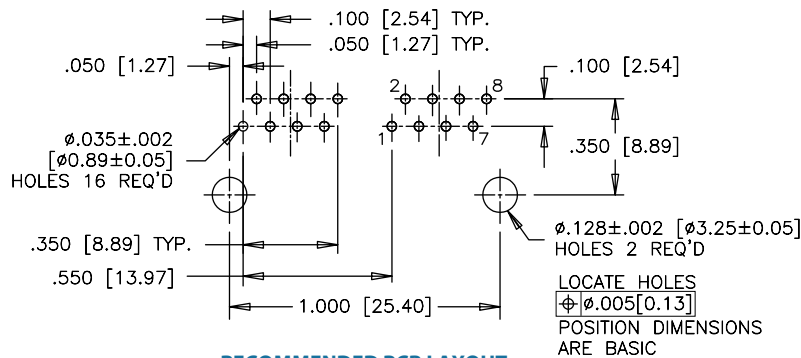
RJE09-288-0X10



FRONT VIEW



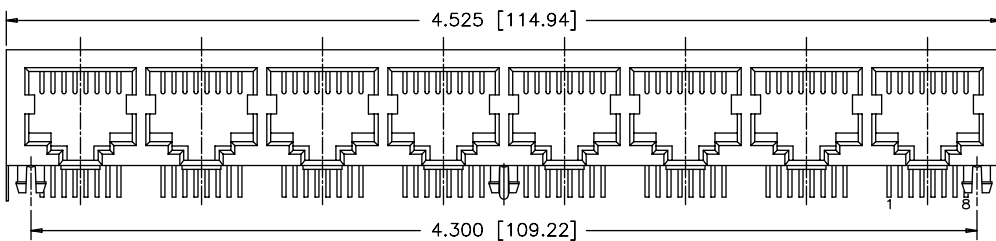
SIDE VIEW



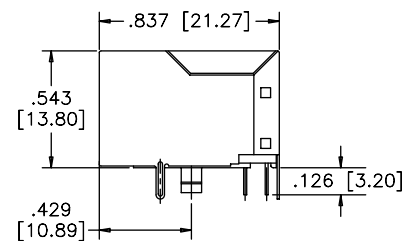
RECOMMENDED PCB LAYOUT

Shielded

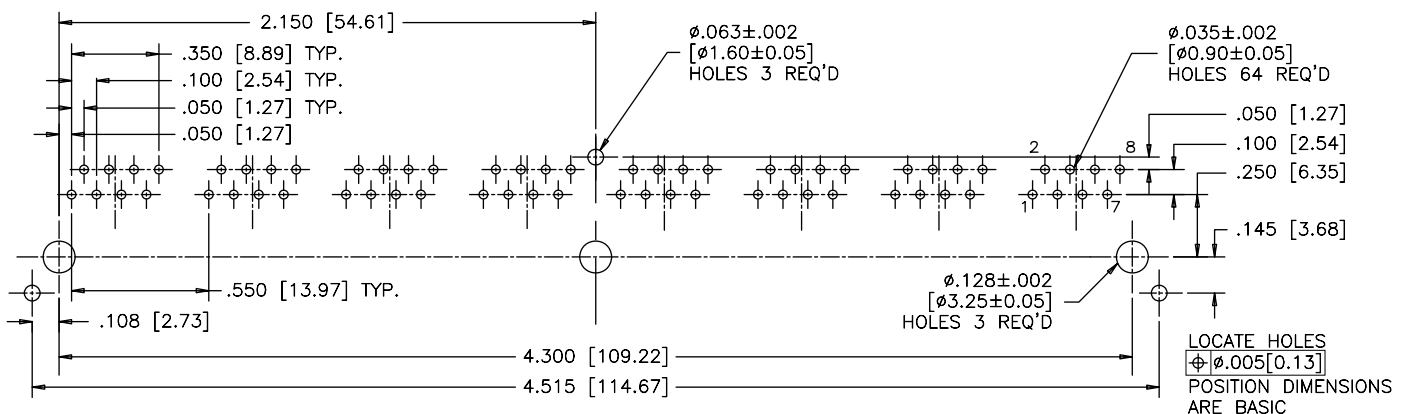
RJE09-888-1X10



FRONT VIEW



SIDE VIEW



RECOMMENDED PCB LAYOUT

TAB DOWN, RECESSED, LOW PROFILE

RJULE is a series of single port RJ45 modular jacks designed for slim profile applications. With a profile height of less than 10 millimeters, this connector is perfect where vertical space is limited. Standard and rear mount shield options for superior EMI performance makes this part ideal for LAN and router applications.



SPECIFICATIONS

Material

| | |
|------------------|---|
| Housing: | High temp. thermoplastic; Flammability rating UL94-0; RoSH compliant |
| Contacts: | Phosphor bronze |
| Plating: | Gold plated on mating surfaces over 50 μ " (1.27 microns) min. nickel under plate; 100 μ " (2.54 microns) min. matte tin on contact tails |
| Shield: | Copper alloy; nickel plated |

Electrical

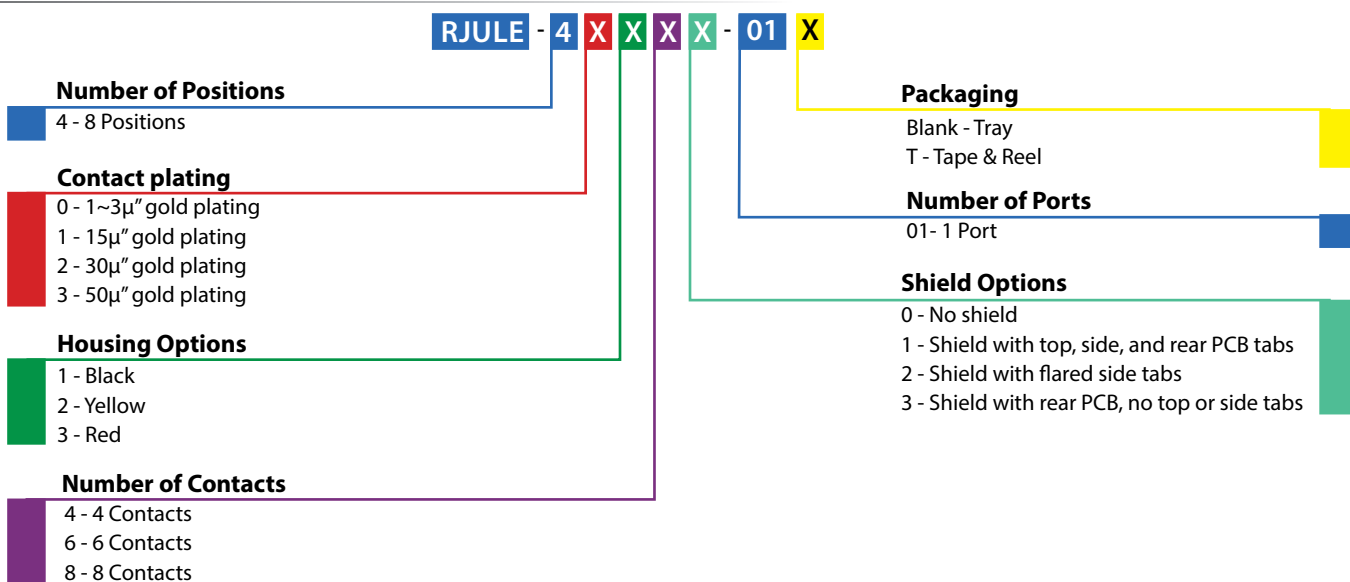
| | |
|-------------------------------|--|
| Contact Resistance | 20 m Ω max. |
| Insulation resistance: | 500 M Ω min. at 500V DC for 2 mins max. |
| Current Rating: | 1.5 Amps per contact |
| Voltage Rating: | 125 Volts AC |
| DWV: | 1000 VAC, 60 Hz. 1 min. |

Mechanical

| | |
|---|--|
| Insertion Force: | 5 lbs max. |
| Pull Retention Force: | 20 lbs min. |
| Durability: | 750 mating & unmating cycles |
| Recommended Soldering Temperature: | Wave soldering peaked at 260°C for 5 secs max. |
| Operating Temperature: | -55°C to + 85°C |
| UL File #: | E135615 |

*Note: Suitable for IR Reflow

ORDERING INFORMATION



Didn't find what you were looking for?

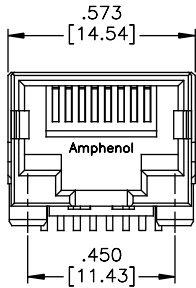
Please contact sales@amphenolcanada.com and let us know what you need.

RJULE

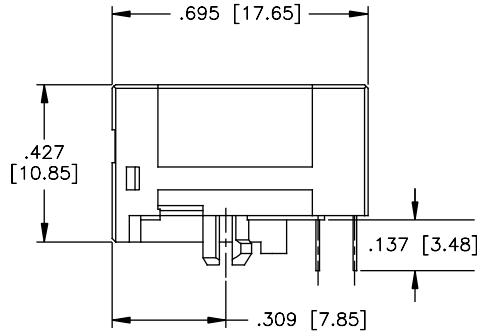
TAB DOWN, RECESSED, LOW PROFILE

Single Port Non-Shielded

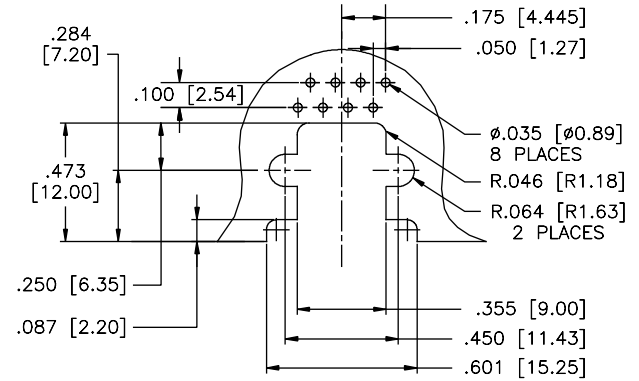
RJULE-4X180-01



FRONT VIEW



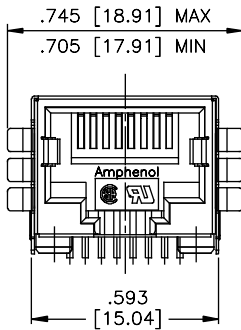
SIDE VIEW



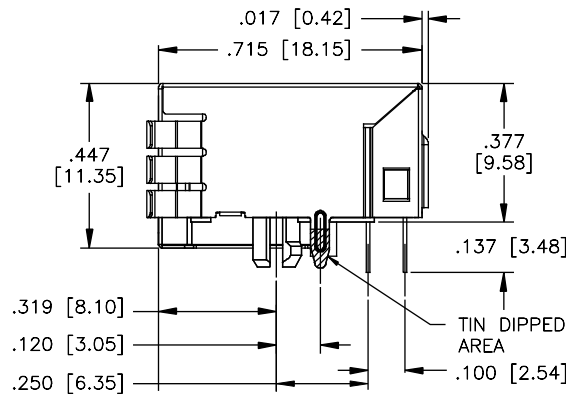
RECOMMENDED PCB LAYOUT

Shielded with Side Ground Tabs

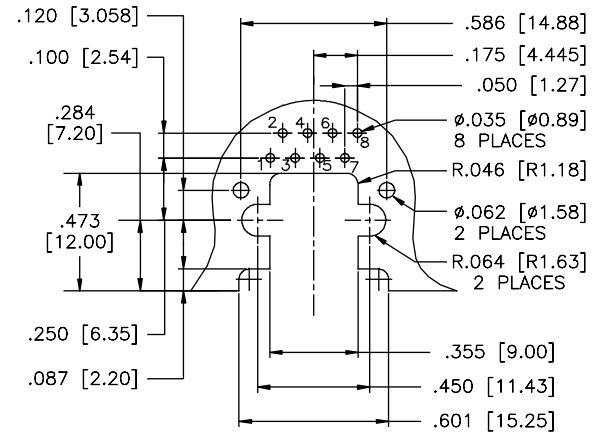
RJULE-4X182-01



FRONT VIEW



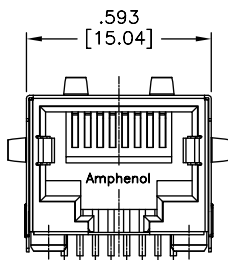
SIDE VIEW



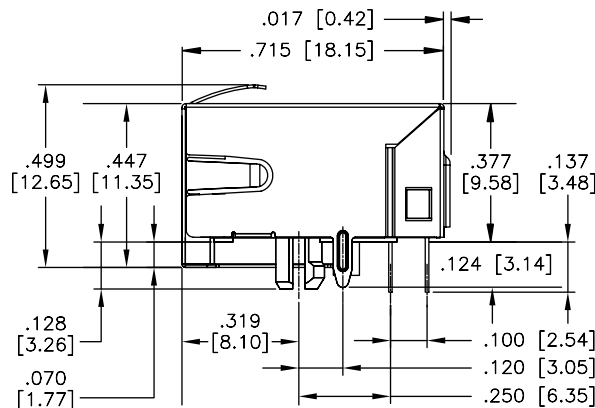
RECOMMENDED PCB LAYOUT

Standard Shield

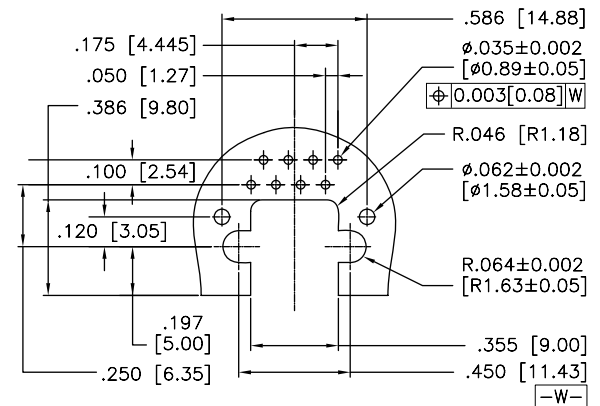
RJULE-4X181-01



FRONT VIEW



SIDE VIEW



RECOMMENDED PCB LAYOUT

RJE73

TAB DOWN, SINGLE PORT, LOW PROFILE, WITH LEDs

TAB DOWN, SINGLE PORT, LOW PROFILE

The RJE73 modular jack is a low profile RJ45 with LEDs and superior EMI shielding with a small footprint for space sensitive designs. This connector features built-in LEDs that provide link activity and network verification. This product is ideal for LAN applications such as adapter cards and routers.



SPECIFICATIONS

Material

| | |
|-------------------|--|
| Insulator: | High temp. thermoplastic; Complies with UL94-0; Black |
| Contacts: | Phosphor bronze hard temper with gold plating options over 50µ" min. nickel on contact mating area; 100µ" min. matte tin plating on solder tails |
| Shield: | Stainless steel with tin dipped tails |
| LED: | Tin plating on LED tails |

Mechanical

| | |
|---|--|
| Insertion Force: | 5 lbs max. |
| Pull Retention Force: | 20 lbs min. |
| Durability: | 750 mating & unmating cycles |
| Recommended Soldering Temperature: | Wave soldering peaked at 245°C for 8 to 10 secs max. |
| Operating Temperature: | -55°C to +85°C |
| UL File #: | E135615 |

Electrical

| | |
|--------------------------------|---|
| Contact Resistance | 20 mΩ max. |
| Insulation resistance: | 500 MΩ min. at 500V DC for 2 mins max. |
| Current Rating: | 1.0 Amps per contact |
| Voltage Rating: | 125 Volts AC |
| DWV: | 1000 VAC, 60 Hz. 1 min. |
| LED Forward DC Current: | 20mA typical |
| LED Forward Voltage: | 1.9 Volts max. at 2mA (for single colours) 2.6 Volts max. at 2mA (for bicolours) |
| LED Reverse Voltage: | 5 Volts min. |
| LED Light Intensity: | 0.4 to 1.5 mcd min. at 2mA (for single colours) 0.5 mcd min. at 2mA (for bicolours) |
| LED Wave Length: | Yellow: 587 ± 7 nm measured at 20mA Green: 565 ± 6 nm measured at 20mA Red: 625 ± 5 nm measured at 20mA |

ORDERING INFORMATION

RJE37 - 1 8 8 - 0 0 X X X

Number of Ports

1 - 1 Port

Number of Positions

8 - 8 Positions

Number of Contacts

8 - 8 Contacts

Shield Options

0 - Shield without tabs
1 - Shield with side and top tabs

LED Options

Contact plating

0 - 6µ" gold plating
1 - 15µ" gold plating
2 - 30µ" gold plating
3 - 50µ" gold plating

Didn't find what you were looking for?

Please contact sales@amphenolcanada.com and let us know what you need.

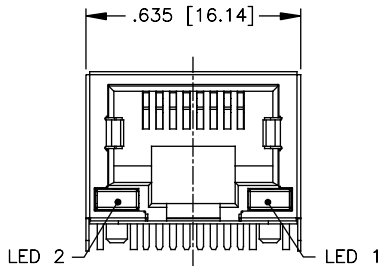
RJE73

TAB DOWN, SINGLE PORT, LOW PROFILE, WITH LEDs

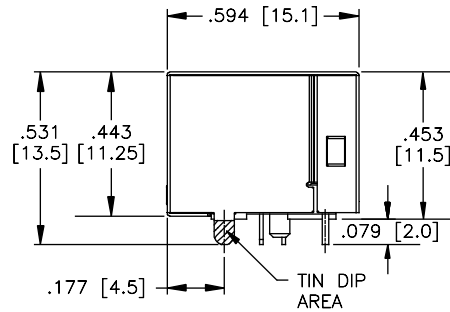
Single Port

Shielded - No Top or Side Tabs

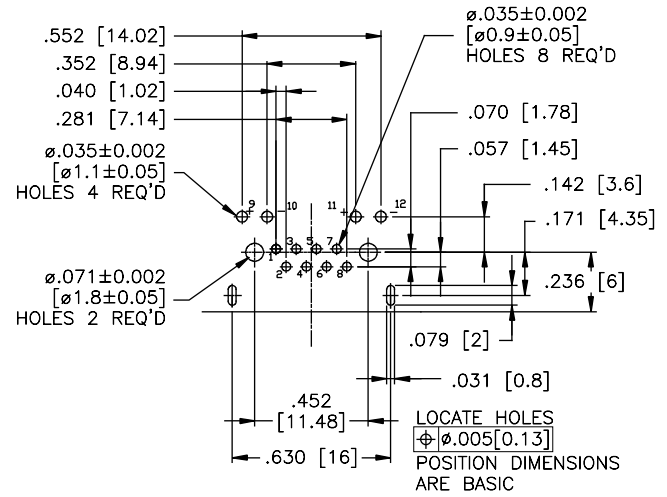
RJE73-188-00XX0



FRONT VIEW



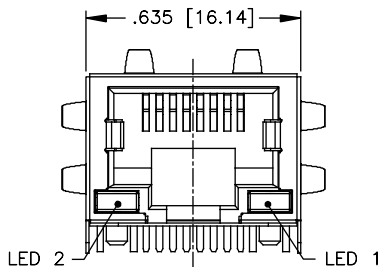
SIDE VIEW



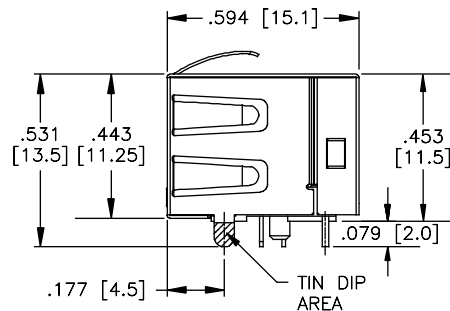
RECOMMENDED PCB LAYOUT

Shielded - With Top and Side Tabs

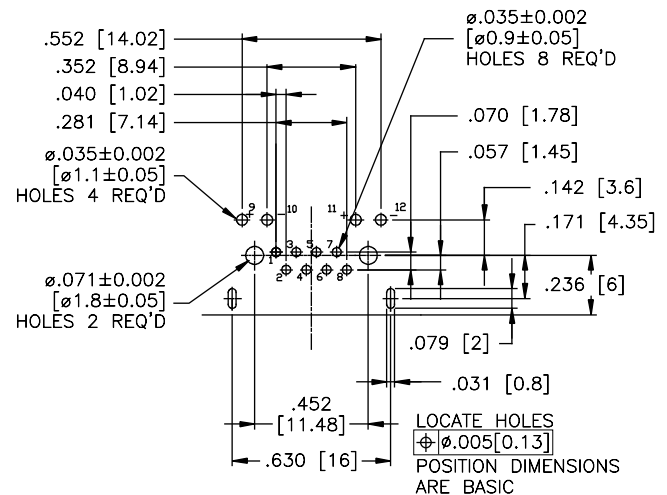
RJE73-188-00XX1



FRONT VIEW



SIDE VIEW



RECOMMENDED PCB LAYOUT

TAB UP, WITH LIGHT PIPES

The RJSSE series represents an expansion of Amphenol Canada's current RJHSE series connector. The RJSSE offers all the benefits of the RJHSE series in SMT with light pipes. Shielded and non-shielded versions are available with or without light pipes.



SPECIFICATIONS

Material

| | |
|--------------------|--|
| Insulator: | High temp. thermoplastic; Complies with UL94-0; Black |
| Contacts: | Phosphor bronze hard temper with gold plating options over 50µ" min. nickel on contact mating area; 100µ" min. matte tin plating on solder tails |
| Shield: | Copper alloy; nickel or matte tin plating |
| Light Pipe: | Optical polycarbonate; UL 94V-0 |

Electrical

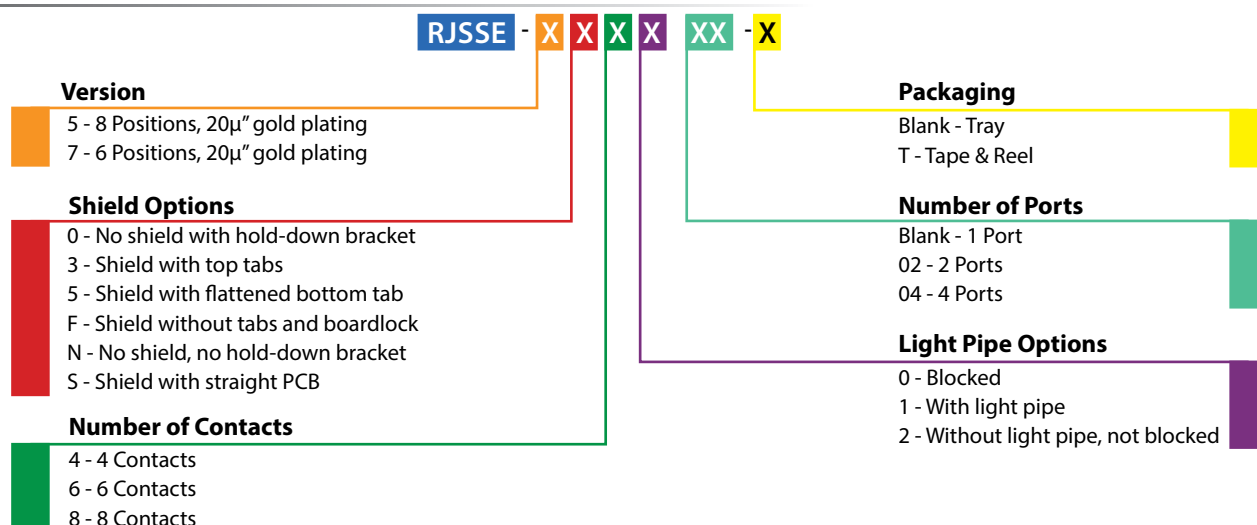
| | |
|-------------------------------|--|
| Contact Resistance | 20 mΩ max. |
| Insulation resistance: | 500 MΩ min. at 500V DC for 2 mins max. |
| Current Rating: | 1.5 Amps per contact |
| Voltage Rating: | 125 Volts AC |
| DWV: | 1500 VAC, 60 Hz. 1 min. |

Mechanical

| | |
|---|---|
| Insertion Force: | 5 lbs max. |
| Pull Retention Force: | 20 lbs min. |
| Durability: | 750 mating & unmating cycles |
| Recommended Soldering Temperature: | IR Reflow peaked at 260°C for 5 to 10 secs max. |
| Operating Temperature: | -55°C to + 85°C |
| UL File #: | E135615 |

*Note: Light Pipes to be installed after soldering

ORDERING INFORMATION



Note: The light pipes are available to be purchased on their own.
Part Number: RJSSE-2485-01

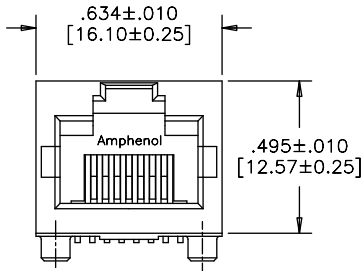
Didn't find what you were looking for?

Please contact sales@amphenolcanada.com and let us know what you need.

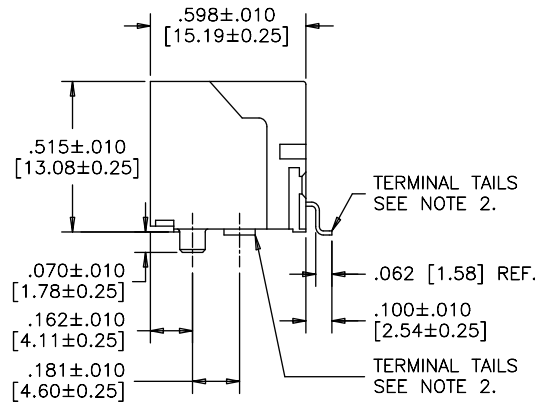
RJSSE

TAB UP, WITH LIGHT PIPES

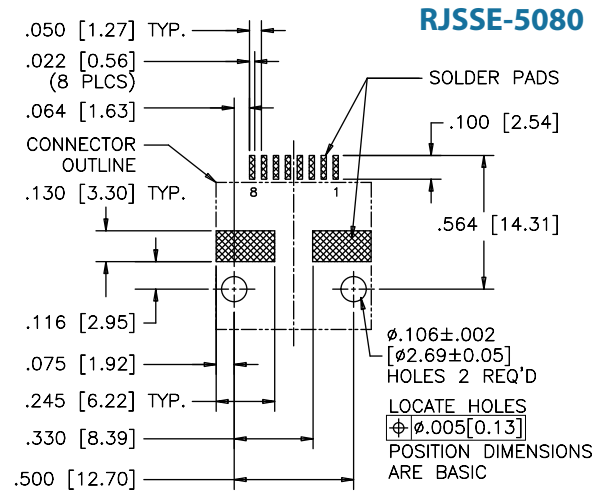
Single Port Non-Shielded



FRONT VIEW



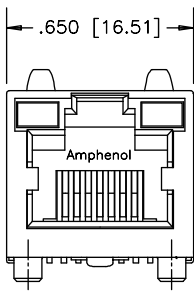
SIDE VIEW



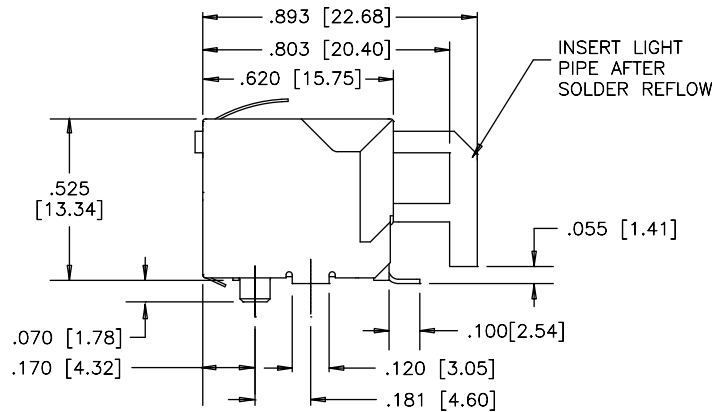
RECOMMENDED PCB LAYOUT

RJSSE-5080

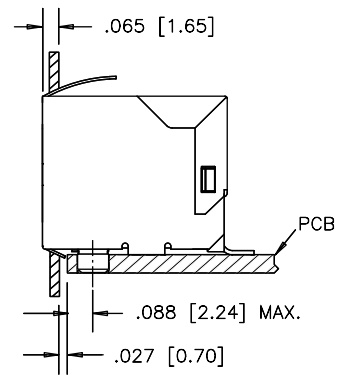
Standard Shield - With Top & Side Ground Tabs



FRONT VIEW

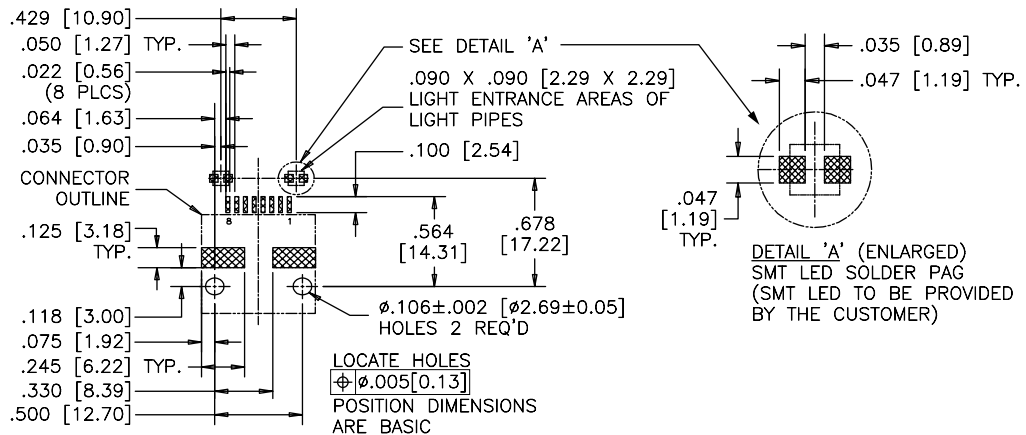


SIDE VIEW



FOR REFERENCE

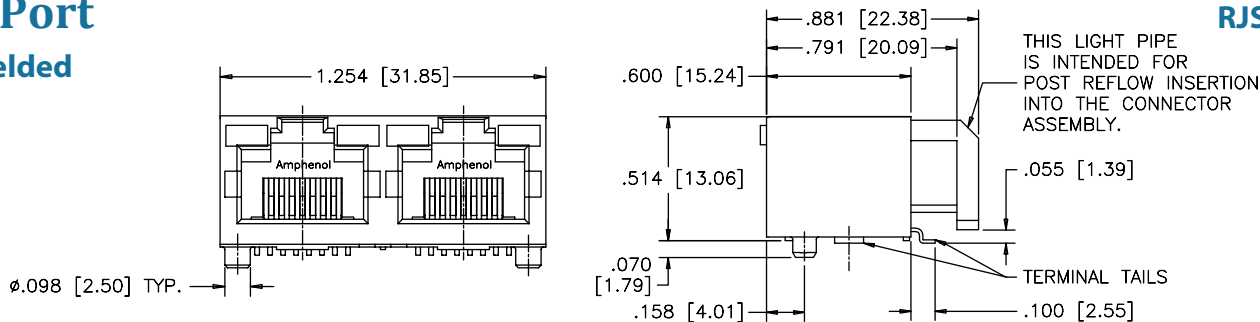
RJSSE-5381



RECOMMENDED PCB LAYOUT

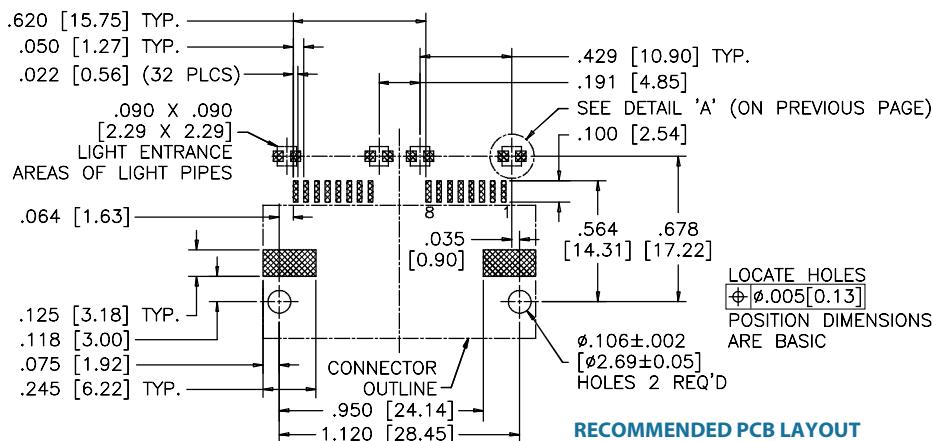
Multi Port Non-Shielded

RJSSE-5081-02



FRONT VIEW

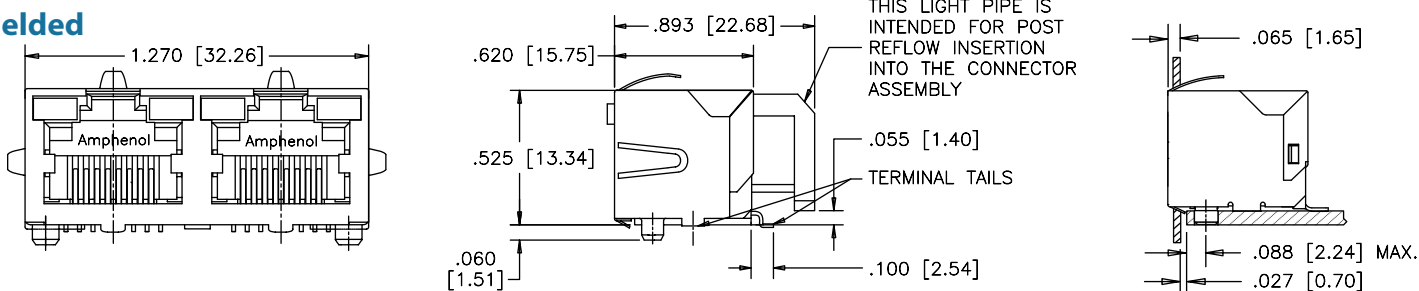
SIDE VIEW



RECOMMENDED PCB LAYOUT

Multi Port Shielded

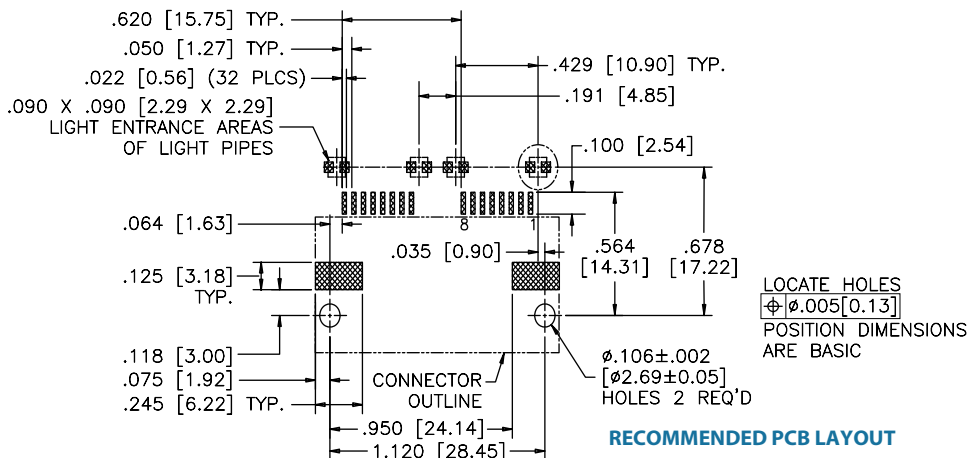
RJSSE-5381-02



FRONT VIEW

SIDE VIEW

FOR REFERENCE



RECOMMENDED PCB LAYOUT

RJCSE

TAB UP, STANDARD PROFILE, WITH LEDs

TAB UP, STANDARD PROFILE, WITH LEDs

The RJCSE is a right angle surface mount connector. Shielding is available for increased EMI performance as well as built-in LEDs for link activity and network verification. This product is ideal for LAN applications such as adapter cards and routers.



SPECIFICATIONS

Material

| | |
|-------------------|--|
| Insulator: | High temp. thermoplastic; Complies with UL 94V-0; Black |
| Contacts: | Phosphor bronze hard temper with gold thickness options (6µ", 15µ", 30µ", 50µ") over 50µ" min. nickel on contact mating area; 100µ" min. matte tin plating on soldering tail |
| Shield: | Stainless steel with matte-tin plating |

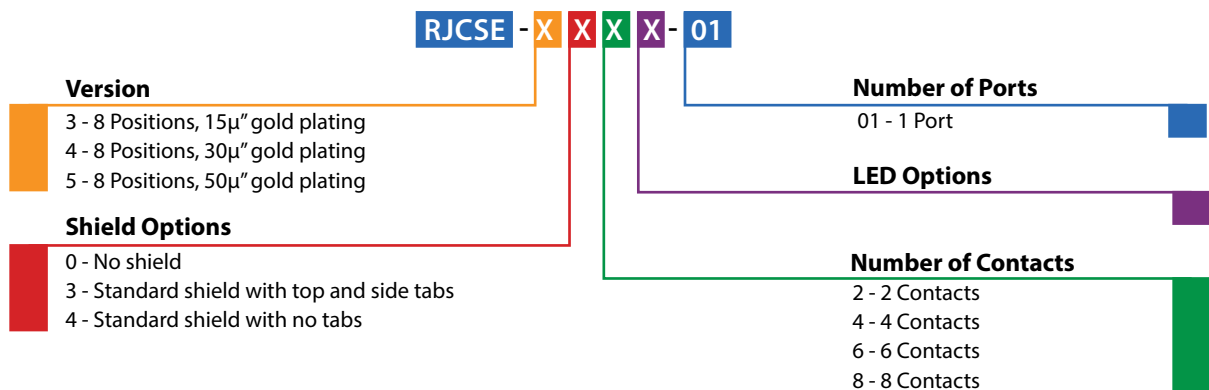
Mechanical

| | |
|---|--|
| Insertion Force: | 5 lbs max. |
| Pull Retention Force: | 20 lbs min. |
| Durability: | 750 mating & unmating cycles |
| Recommended Soldering Temperature: | Suitable for IR Reflow at 260°C for 10 secs max. |
| Operating Temperature: | - 55°C to + 85°C |
| UL File #: | E135615 |
| CSA File #: | LR685398 |

Electrical

| | |
|--------------------------------|---|
| Contact Resistance | 20 mΩ max. |
| Insulation resistance: | 500 MΩ min. at 500V DC for 2 mins max. |
| Current Rating: | 1.5 Amps per contact |
| Voltage Rating: | 125 Volts AC |
| DWV: | 1000 VAC, 60 Hz. 1 min. |
| LED Forward DC Current: | 20mA typical |
| LED Forward Voltage: | 1.9 Volts max. at 2mA (for single colours) 2.6 Volts max. at 2mA (for bicolours) |
| LED Reverse Voltage: | 5 Volts min. |
| LED Light Intensity: | 0.4 to 1.5 mcd min. at 2mA (for single colours) 0.5 mcd min. at 2mA (for bicolours) |
| LED Wave Length: | Yellow: 587 ± 7 nm measured at 20mA Green: 565 ± 6 nm measured at 20mA Red: 625 ± 5 nm measured at 20mA |

ORDERING INFORMATION

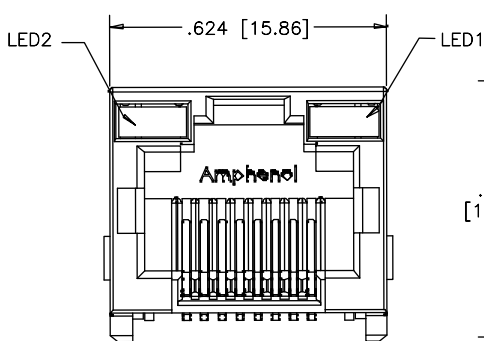


Didn't find what you were looking for?

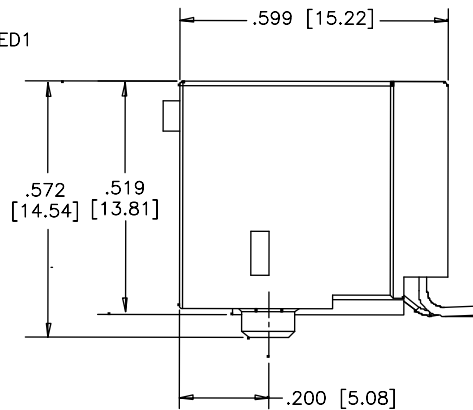
Please contact sales@amphenolcanada.com and let us know what you need.

Single Port Non-Shielded

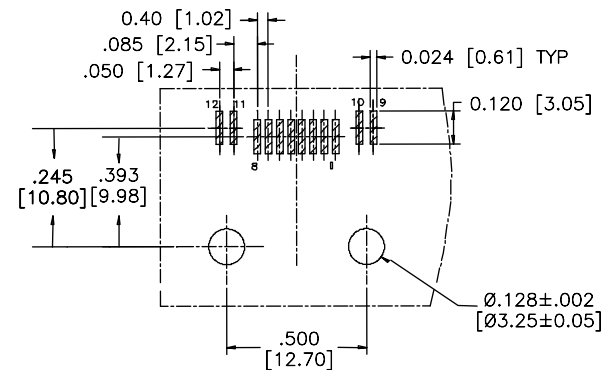
RJCSE-508X-01



FRONT VIEW



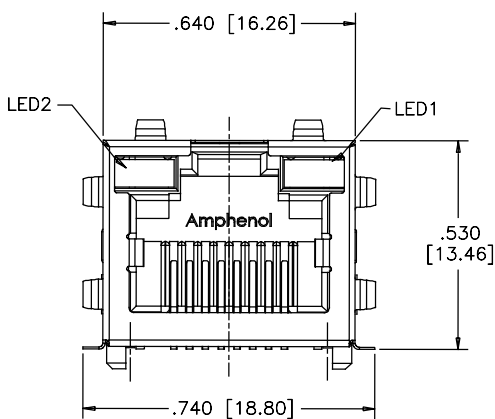
SIDE VIEW



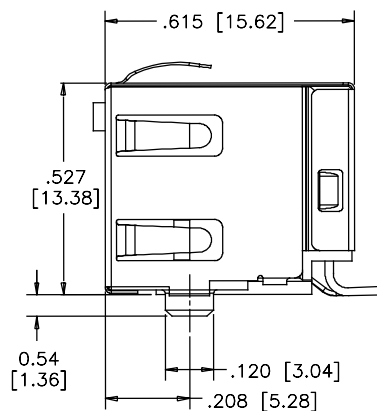
RECOMMENDED PCB LAYOUT

Shielded

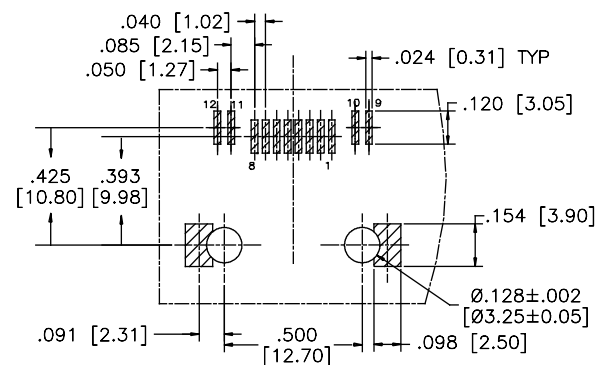
RJCSE-538X-01



FRONT VIEW



SIDE VIEW



RECOMMENDED PCB LAYOUT

RJLSE

TAB DOWN, ULTRA LOW PROFILE

TAB DOWN, ULTRA LOW PROFILE

The RJLSE series contains surface mount modular jacks with superior EMI performance that supports Ethernet Protocols. This low profile connector is built to meet your high volume RJ requirements. This series is a true pick and place compatible SMT connector and is available with different shielding, contacts, gold plating thickness, and color options. This connector is built with high temperature engineering thermoplastic and suitable for the IR Reflow solder process.



SPECIFICATIONS

Material

| | |
|-------------------|---|
| Insulator: | High temp. thermoplastic; Complies with UL 94V-0; Black |
| Contacts: | Phosphor bronze hard temper with gold thickness options (6 μ ", 15 μ ", 30 μ ", 50 μ ") over 50 μ " min. nickel on contact mating area; Gold flash over palladium nickel also available; 100 μ " min. matte tin plating on soldering tail |
| Shield: | Copper alloy; nickel or matte tin plated |

*Note: Other insulator colour options available

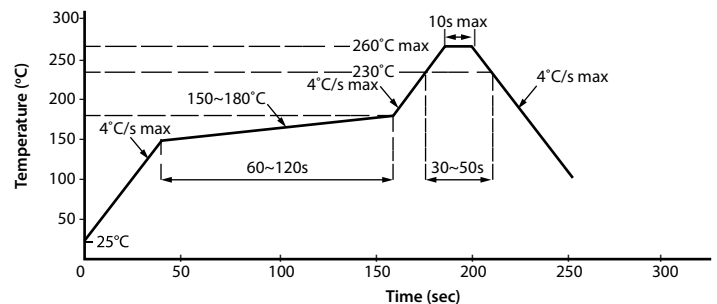
Electrical

| | |
|-------------------------------|--|
| Contact Resistance | 20 m Ω max. |
| Insulation resistance: | 500 M Ω min. at 500V DC for 2 mins max. |
| Current Rating: | 1.5 Amps per contact |
| Voltage Rating: | 125 Volts AC |
| DWV: | 1000 VAC, 60 Hz. 1 min. |

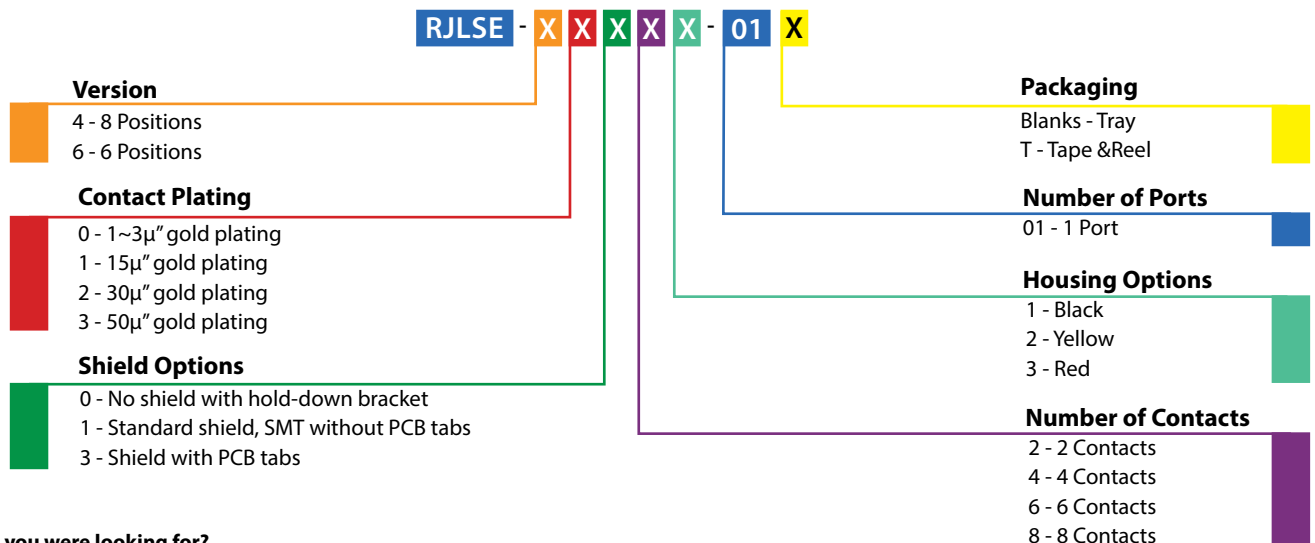
Mechanical

| | |
|---|--|
| Insertion Force: | 5 lbs max. |
| Pull Retention Force: | 20 lbs min. |
| Durability: | 750 mating & unmating cycles |
| Recommended Soldering Temperature: | Lead free reflow soldering up to 260°C for 10 secs max. 3 reflow passes max. |
| Operating Temperature: | - 55°C to + 85°C |
| UL File #: | E135615 |
| CSA File #: | LR685398 |

*Note to recommended reflow profile below



ORDERING INFORMATION

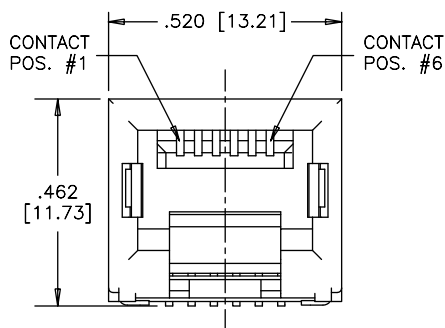


Didn't find what you were looking for?

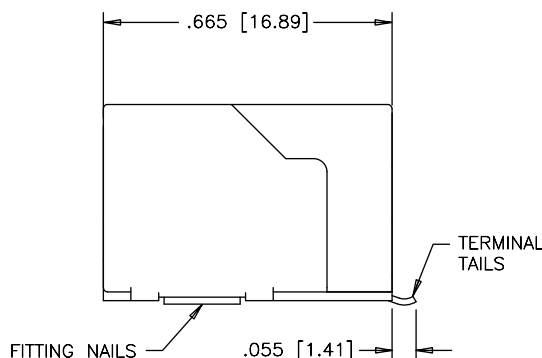
Please contact sales@amphenolcanada.com and let us know what you need.

Single Port Non-Shielded

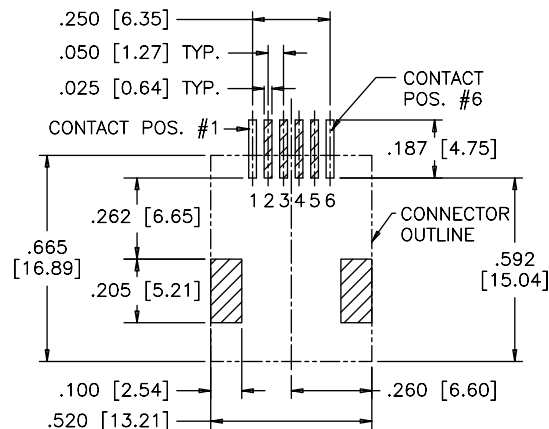
RJLSE-6X061-01



FRONT VIEW



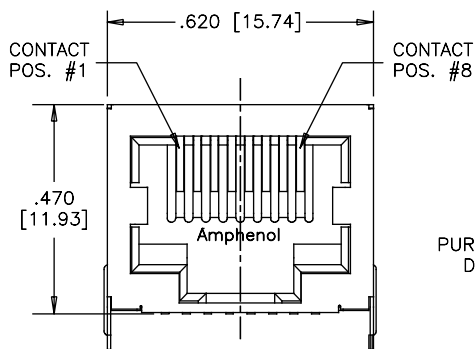
SIDE VIEW



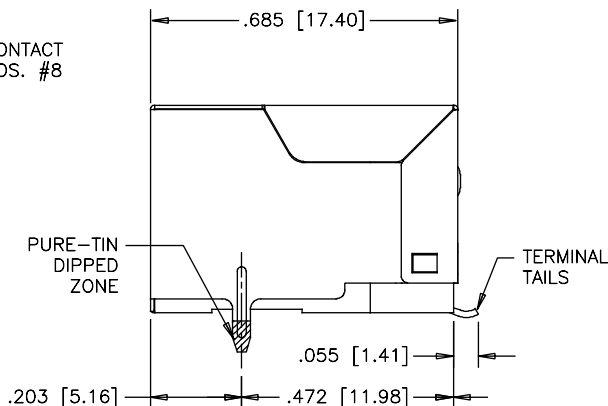
RECOMMENDED PCB LAYOUT

Shielded

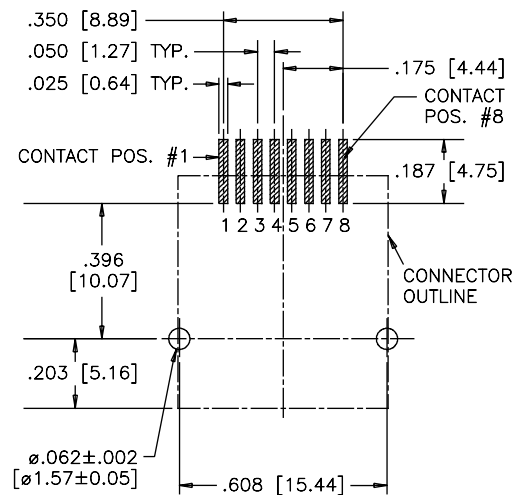
RJLSE-4X381-01



FRONT VIEW



SIDE VIEW



RECOMMENDED PCB LAYOUT

RJE07

TAB DOWN, SINGLE PORT

TAB DOWN, SINGLE PORT

RJE07 products belong to a family of standard modular jacks designed to meet requirements for a variety of applications. Options within the FRJAE series offer low cost and effective EMC control within standard RJ11 & RJ45 connector footprints. EMC control is offered by a completely shielded connector and/or with the use of a high resistivity, high impedance Ferrite Block. No board layout changes are required for its use. Simply replace the standard non-filtered connector for superior EMC performance.



SPECIFICATIONS

Material

| | |
|-------------------|---|
| Insulator: | High temp. thermoplastic; Complies with UL 94V-0; Black |
| Contacts: | Phosphor bronze hard temper with gold thickness options (6 μ ”, 15 μ ”, 30 μ ”, 50 μ ”) over 50 μ ” min. nickel on contact mating area; Gold flash over palladium nickel also available; 100 μ ” min. matte tin plating on soldering tail |
| Shield: | Copper alloy; nickel or matte tin plated |

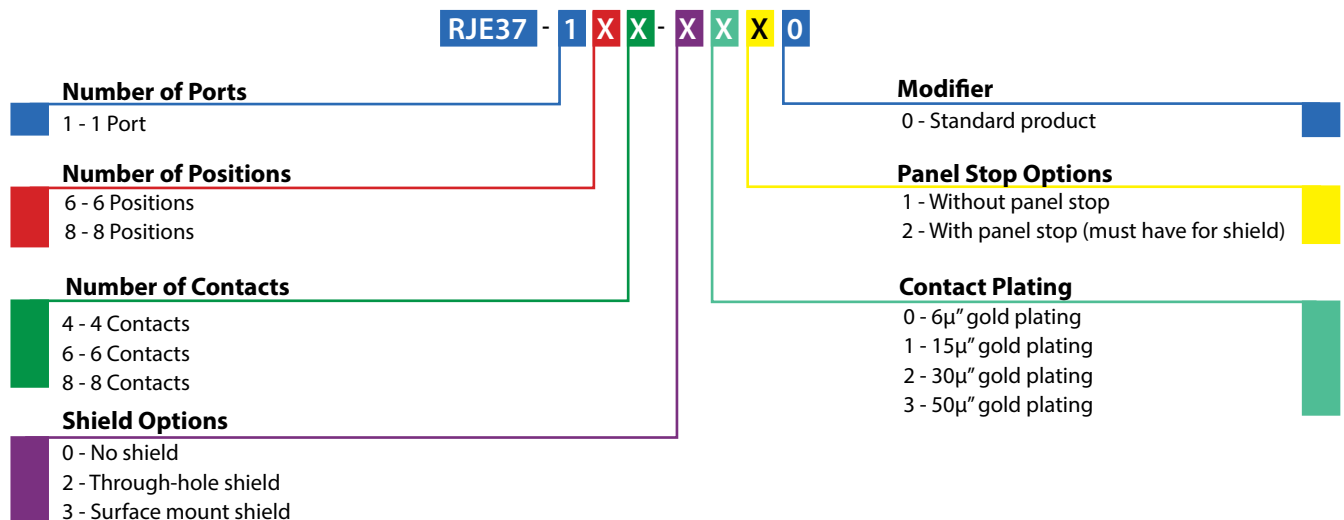
Mechanical

| | |
|---|--|
| Insertion Force: | 5 lbs max. |
| Pull Retention Force: | 20 lbs min. |
| Durability: | 750 mating & unmating cycles |
| Recommended Soldering Temperature: | Reflow soldering peaked at 260°C for 6 to 8 secs max |
| Operating Temperature: | - 40°C to + 85°C |

Electrical

| | |
|-------------------------------|--|
| Contact Resistance | 20 m Ω max. |
| Insulation resistance: | 500 M Ω min. at 500V DC for 2 mins max. |
| Current Rating: | 1.5 Amps per contact |
| Voltage Rating: | 125 Volts AC |
| DWV: | 1000 VAC, 60 Hz. 1 min. |

ORDERING INFORMATION



Didn't find what you were looking for?

Please contact sales@amphenolcanada.com and let us know what you need.

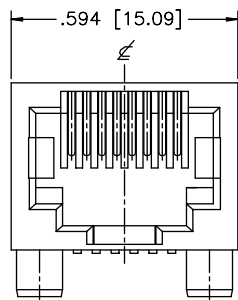
RJE07

TAB DOWN, SINGLE PORT

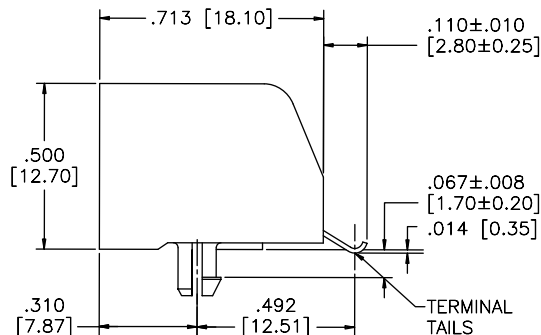
Single Port

Non-Shielded

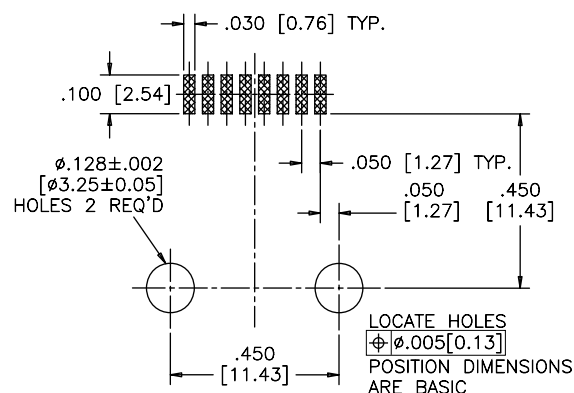
RJE07-188-0X10



FRONT VIEW



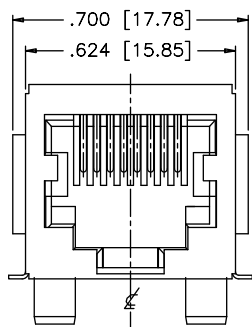
SIDE VIEW



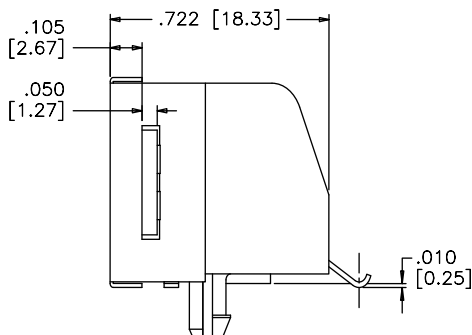
RECOMMENDED PCB LAYOUT

Surface Mount Shield

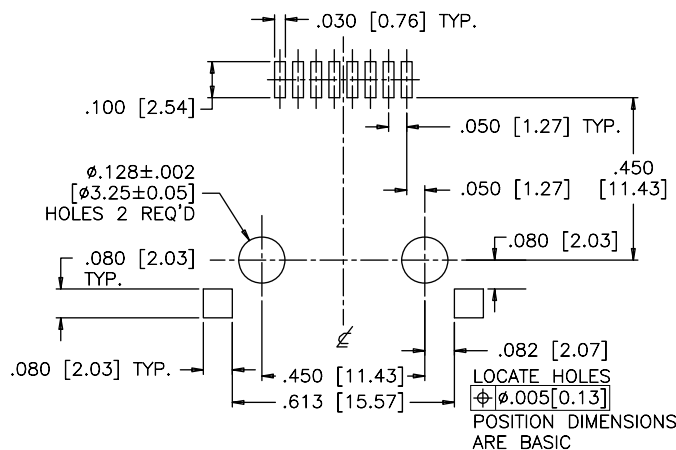
RJE07-188-3X20



FRONT VIEW



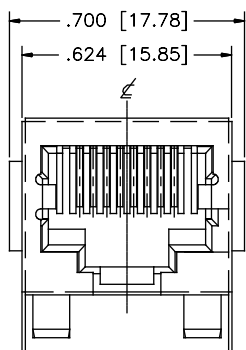
SIDE VIEW



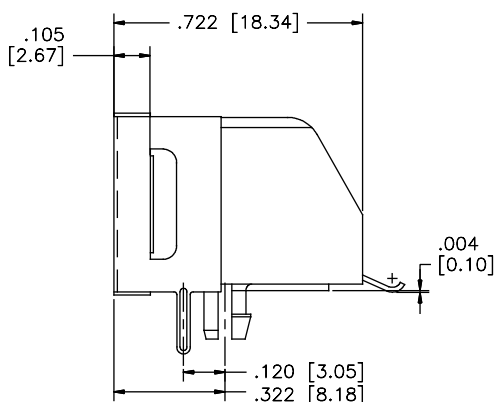
RECOMMENDED PCB LAYOUT

Through-Hole Shield

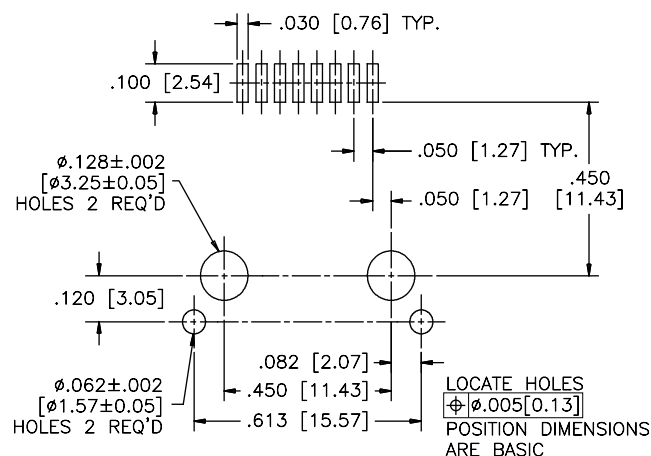
RJE07-188-2X20



FRONT VIEW



SIDE VIEW



RECOMMENDED PCB LAYOUT

RJE15

TAB DOWN, SINGLE PORT, LOW PROFILE

TAB DOWN, SINGLE PORT, LOW PROFILE

The RJE15 low profile connector is built to meet your high volume RJ requirements. This is a true pick and place compatible SMT connector and is available with or without shielding, as well as with a variety of options including number of contacts, plating thickness, and color. This connector is built with high temperature engineering thermoplastic and suitable for IR Reflow solder process.



SPECIFICATIONS

Material

| | |
|-------------------|---|
| Insulator: | High temp. thermoplastic; Complies with UL 94V-0; Black |
| Contacts: | Phosphor bronze hard temper with gold thickness options (6 μ ", 15 μ ", 30 μ ", 50 μ ") over 50 μ " min. nickel on contact mating area; 100 μ " min. matte tin plating or gold flash on tail area |
| Shield: | Copper alloy; nickel plating overall |

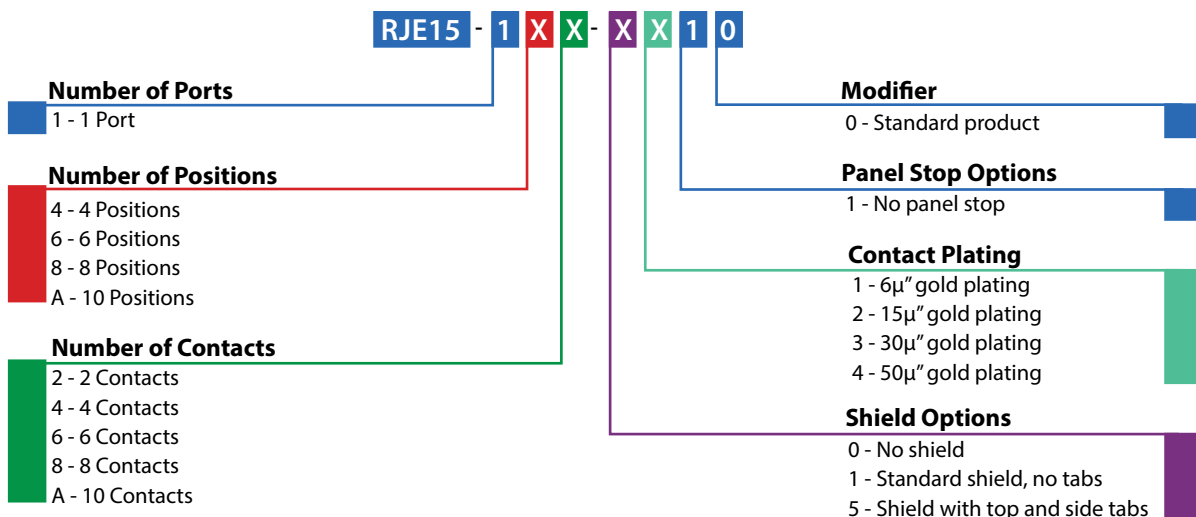
Mechanical

| | |
|---|---|
| Insertion Force: | 5 lbs max. |
| Pull Retention Force: | 20 lbs min. |
| Durability: | 750 mating & unmating cycles |
| Recommended Soldering Temperature: | Wave soldering at 260°C for 6 to 8 secs max |
| Operating Temperature: | - 40°C to + 70°C |

Electrical

| | |
|-------------------------------|---|
| Contact Resistance | 25 m Ω max. |
| Insulation resistance: | 1000 M Ω min. at 500V DC for 2 mins max. |
| Current Rating: | 1.5 Amps per contact |
| Voltage Rating: | 125 Volts AC |
| DWV: | 1000 VAC, 60 Hz. 1 min. |

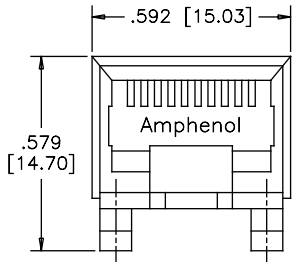
ORDERING INFORMATION



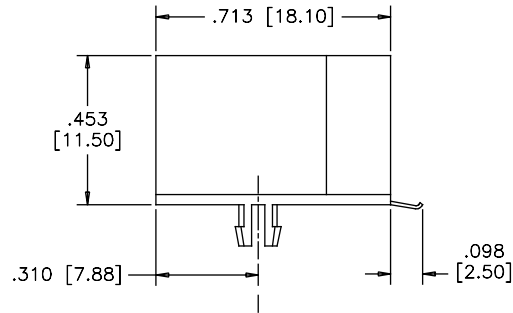
Didn't find what you were looking for?

Please contact sales@amphenolcanada.com and let us know what you need.

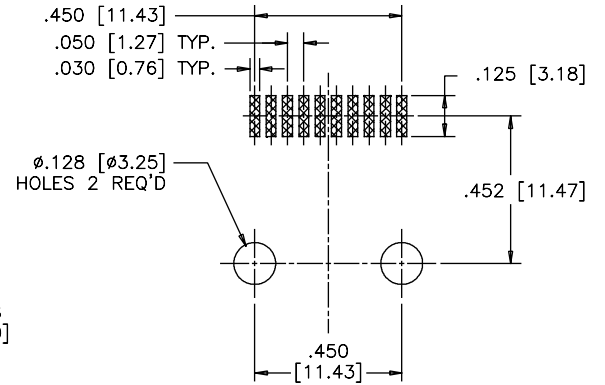
Single Port Non-Shielded

RJE15-1AA-0X10

FRONT VIEW

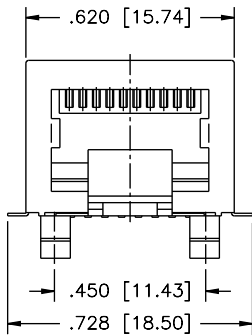


SIDE VIEW

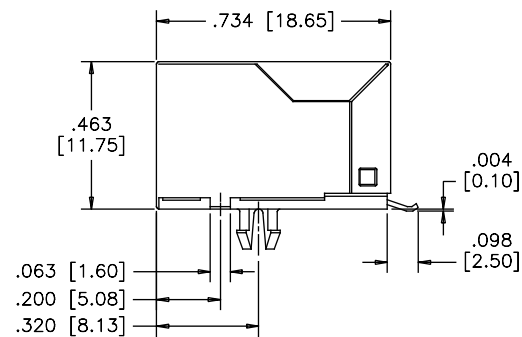


RECOMMENDED PCB LAYOUT

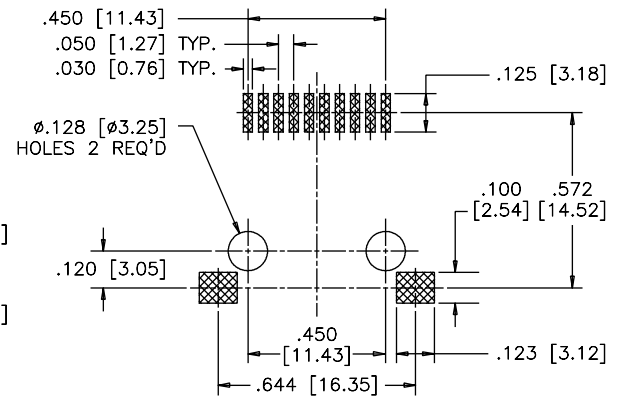
Shielded

RJE15-1AA-1X10

FRONT VIEW



SIDE VIEW



RECOMMENDED PCB LAYOUT

Notes

RJE56

TAB DOWN, RJ45

TAB DOWN, RJ 45

The RJE56 series is designed for applications where soldering is not an option. The press fit contacts and shield tabs have the “eye of the needle” design and provide good PCB retention as well as reliable electrical performance.



SPECIFICATIONS

Material

| | |
|-------------------|--|
| Insulator: | PBT material; complies with UL 940-0; Black |
| Contacts: | Phosphor bronze hard temper with gold thickness options (6 μ ”, 15 μ ”, 30 μ ”, 50 μ ”) over 50 μ ” min. nickel on contact mating area; 100 μ ” min. matte tin plating on press fit tail |
| Shield: | Stainless steel |

Electrical

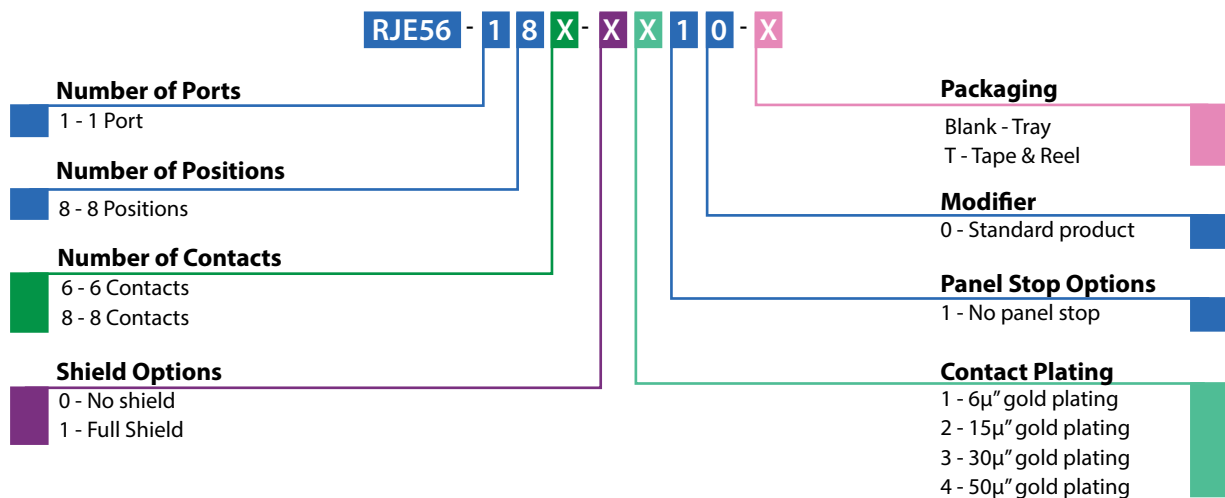
| | |
|-------------------------------|--|
| Contact Resistance | 20 m Ω max. |
| Insulation resistance: | 500 M Ω min. at 500V DC for 2 mins max. |
| Current Rating: | 1.5 Amps per contact |
| Voltage Rating: | 125 Volts AC |
| DWV: | 1000 VAC, 60 Hz. 1 min. |

Mechanical

| | |
|---|---|
| Insertion Force: | 5 lbs max. |
| Pull Retention Force: | 20 lbs min. |
| Durability: | 750 mating & unmating cycles |
| Recommended Soldering Temperature: | Wave soldering peaked at 260 $^{\circ}$ C for 5 to 8 secs max |
| Operating Temperature: | - 55 $^{\circ}$ C to + 85 $^{\circ}$ C |

* Note: Suitable for IR Reflow

ORDERING INFORMATION



Didn't find what you were looking for?

Please contact sales@amphenolcanada.com and let us know what you need.

RJE06

SINGLE PORT, SLIM PROFILE

SINGLE PORT, SLIM PROFILE

RJE06 series is a group of products within a family of standard modular jacks designed to meet requirements for a variety of applications. Options within the RJE06 family include shielded & non-shielded, and 8P8C configurations.



SPECIFICATIONS

Material

| | |
|-------------------|---|
| Insulator: | Engineering thermoplastic; Complies with UL 94V-0; Black |
| Contacts: | Phosphor bronze hard temper with gold thickness options (6µ", 15µ", 30µ", 50µ") over 50µ" min. nickel on contact mating area; 100µ" min. matte tin or gold flash plating on tail area |
| Shield: | Copper alloy; nickel plating overall |

Electrical

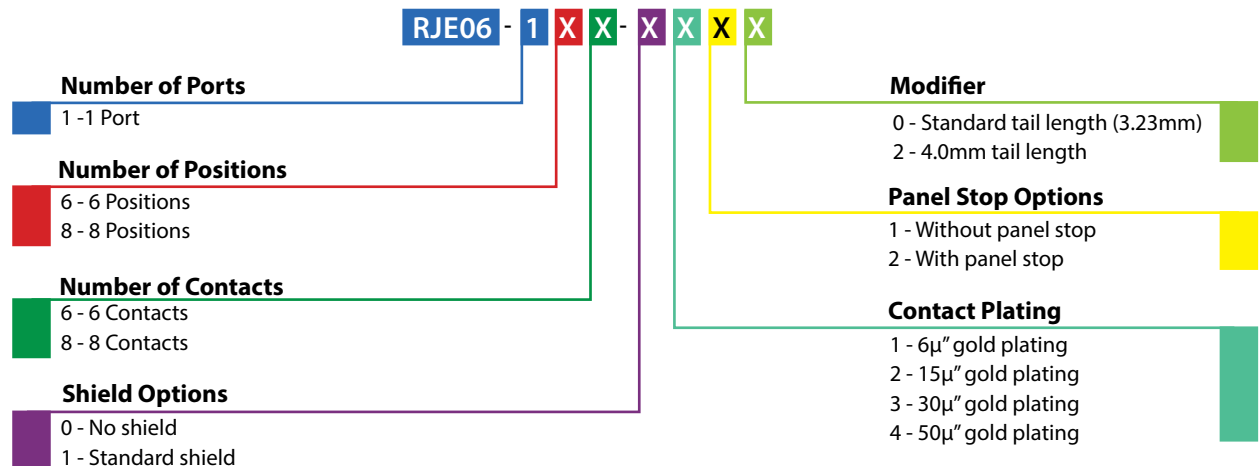
| | |
|-------------------------------|--|
| Contact Resistance | 20 mΩ max. |
| Insulation resistance: | 500 MΩ min. at 500V DC for 2 mins max. |
| Current Rating: | 1.5 Amps per contact |
| Voltage Rating: | 125 Volts AC |
| DWV: | 1000 VAC, 60 Hz. 1 min. |

Mechanical

| | |
|---|--|
| Insertion Force: | 5 lbs max. |
| Pull Retention Force: | 20 lbs min. |
| Durability: | 750 mating & unmating cycles |
| Recommended Soldering Temperature: | Wave soldering peaked at 260°C for 5 secs max. |
| Operating Temperature: | -40°C to + 70°C |
| UL File #: | E136228 |

**Note: Connectors with high temp. material are suitable for IR Reflow*

ORDERING INFORMATION

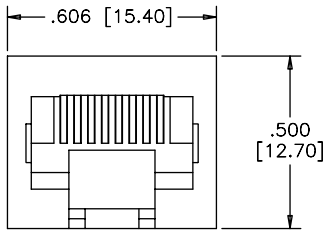


Didn't find what you were looking for?

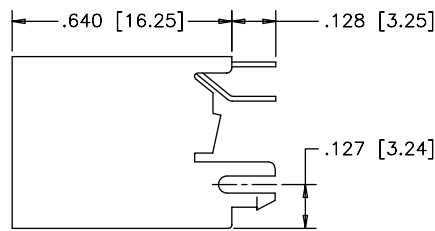
Please contact sales@amphenolcanada.com and let us know what you need.

Single Port Non-Shielded

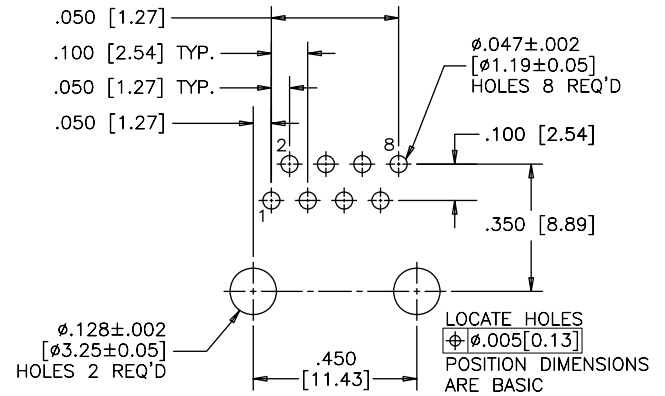
RJE06-188-0X10



FRONT VIEW



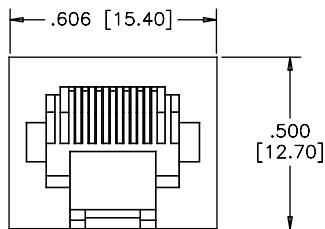
SIDE VIEW



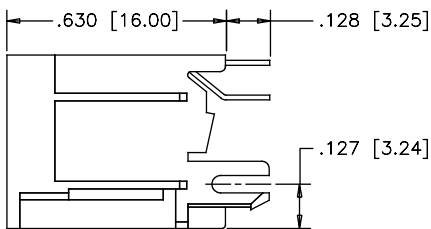
RECOMMENDED PCB LAYOUT

Non-Shielded

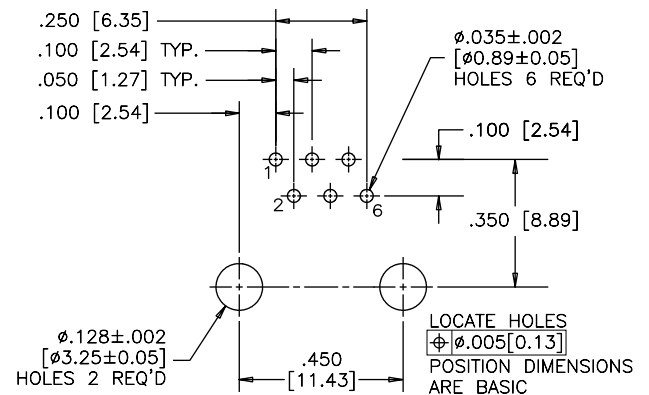
RJE06-166-0X10



FRONT VIEW



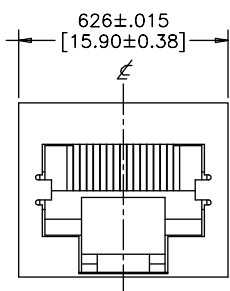
SIDE VIEW



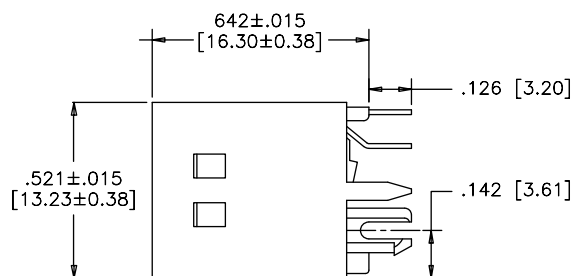
RECOMMENDED PCB LAYOUT

Standard Shield

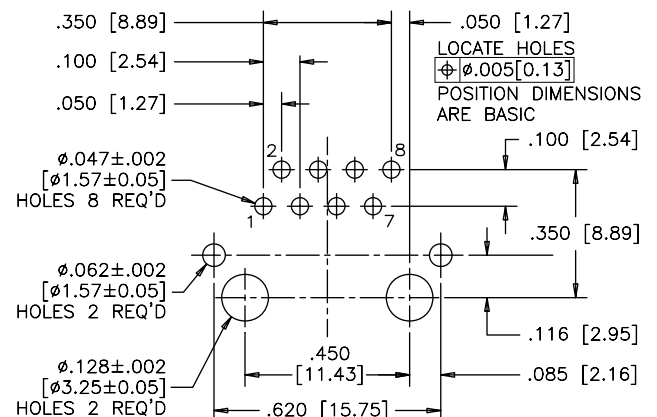
RJE06-188-1X10



FRONT VIEW



SIDE VIEW



RECOMMENDED PCB LAYOUT

RJE08

SINGLE PORT, STANDARD PROFILE

SINGLE PORT, STANDARD PROFILE

RJE08 series is a group of products within a family of standard modular jacks designed to meet requirements for a variety of applications. Options within the RJE08 include with and without panel stops, and RJ11 & RJ45 configurations.



SPECIFICATIONS

Material

| | |
|-------------------|---|
| Insulator: | Engineering thermoplastic; Complies with UL 94V-0; Black |
| Contacts: | Phosphor bronze hard temper with gold thickness options (6µ", 15µ", 30µ", 50µ") over 50µ" min. nickel on contact mating area; 100µ" min. matte tin or gold flash plating on tail area |

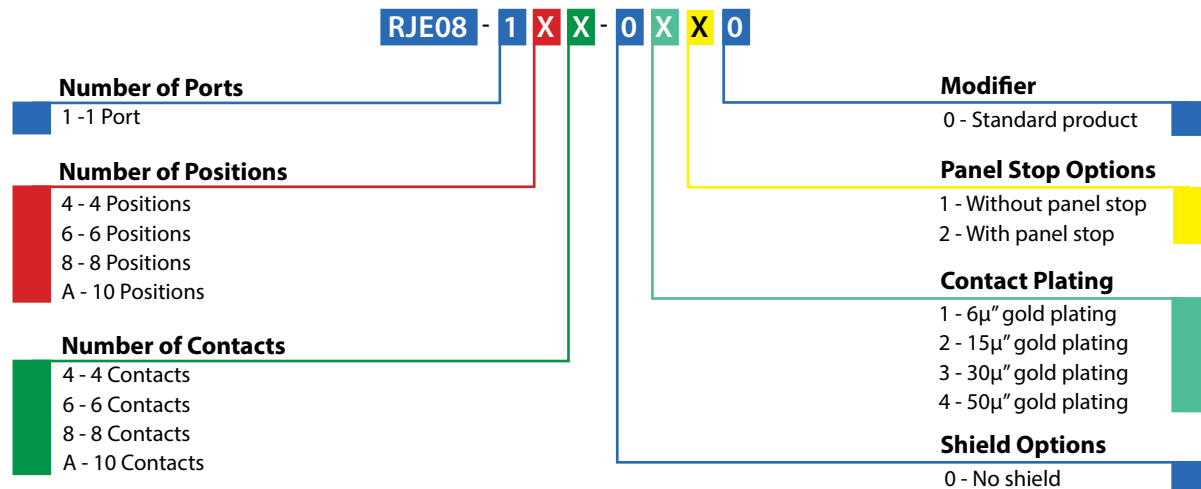
Electrical

| | |
|-------------------------------|--|
| Contact Resistance | 20 mΩ max. |
| Insulation resistance: | 500 MΩ min. at 500V DC for 2 mins max. |
| Current Rating: | 1.5 Amps per contact |
| Voltage Rating: | 125 Volts AC |
| DWV: | 1000 VAC, 60 Hz. 1 min. |

Mechanical

| | |
|---|--|
| Insertion Force: | 5 lbs max. |
| Pull Retention Force: | 20 lbs min. |
| Durability: | 750 mating & unmating cycles |
| Recommended Soldering Temperature: | Wave soldering peaked at 260°C for 5 secs max. |
| Operating Temperature: | -40°C to + 70°C |
| UL File #: | E136228 |

ORDERING INFORMATION

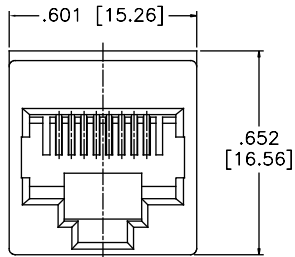


Didn't find what you were looking for?

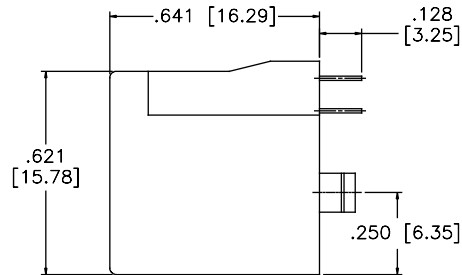
Please contact sales@amphenolcanada.com and let us know what you need.

Single Port Non-Shielded

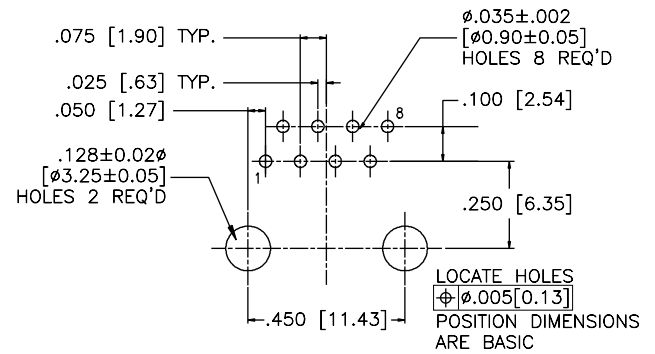
RJE08-188-0X10



FRONT VIEW



SIDE VIEW



RECOMMENDED PCB LAYOUT

Notes

RJE74

SINGLE PORT, STANDARD PROFILE

SINGLE PORT, STANDARD PROFILE

The RJE23 series is designed for high volume production where a vertical modular jack is required. Shielding provides increased EMI performance. Surface mount contacts and hold-down nail bracket assist in speeding up the production process.



SPECIFICATIONS

Material

| | |
|-------------------|--|
| Insulator: | High temp. thermoplastic; Complies with UL 94V-0; Black |
| Contacts: | Phosphor bronze hard temper with 30µ" min. gold thickness over 50µ" min. nickel on contact mating area; 100µ" min. matte tin plating on soldering tail |
| Shield: | Stainless steel; pure tin dipped tail |

Electrical

| | |
|-------------------------------|--|
| Contact Resistance | 20 mΩ max. |
| Insulation resistance: | 500 MΩ min. at 500V DC for 2 mins max. |
| Current Rating: | 1.5 Amps per contact |
| Voltage Rating: | 125 Volts AC |
| DWV: | 1000 VAC, 60 Hz. 1 min. |

Mechanical

| | |
|---|---------------------------------|
| Insertion Force: | 5 lbs max. |
| Pull Retention Force: | 20 lbs min. |
| Durability: | 750 mating & unmating cycles |
| Recommended Soldering Temperature: | Peaked at 260°C for 5 secs max. |
| Operating Temperature: | -55°C to + 85°C |

**Note: Suitable for IR Reflow*

ORDERING INFORMATION

RJE74 - 1 X X - X X 1 X - X

Number of Ports

1 - 1 Port

Number of Positions

8 - 8 Positions
A - 10 Positions

Number of Contacts

8 - 8 Contacts
A - 10 Contacts

Shield Options

0 - No shield
1 - Full shield

Packaging

Blank - PBT, tray, without Mylar
A - High temp housing, tray, without Mylar
H - High temp housing, tape & reel with Mylar

Modifier

0 - Standard product
1 - With RMK4 keying

Panel Stop Options

1 - No panel stop

Contact Plating

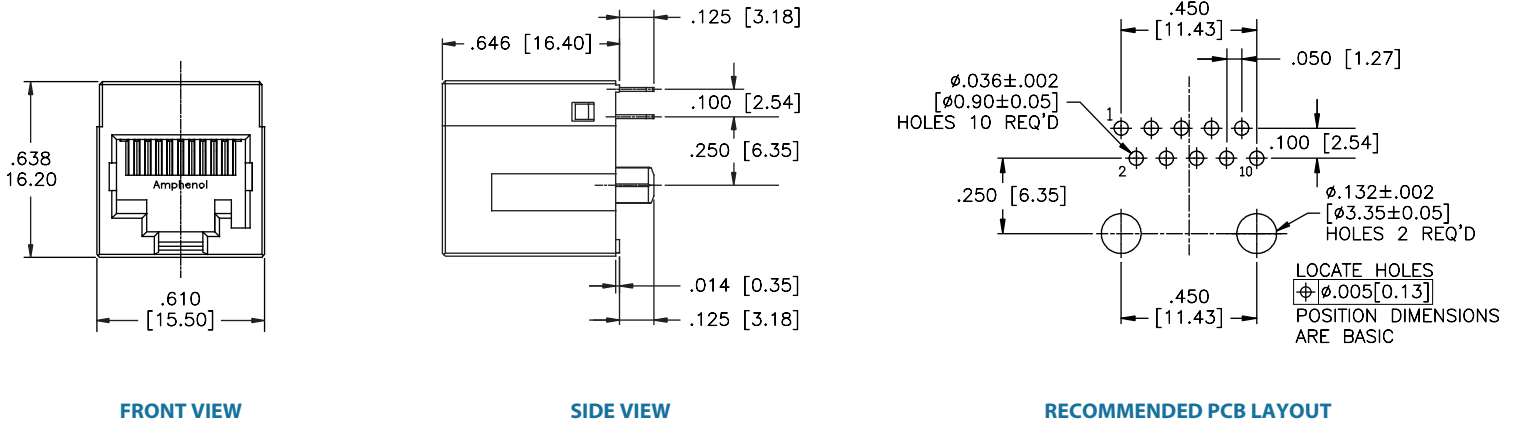
1 - 6µ" gold plating
2 - 15µ" gold plating
3 - 30µ" gold plating
4 - 50µ" gold plating

Didn't find what you were looking for?

Please contact sales@amphenolcanada.com and let us know what you need.

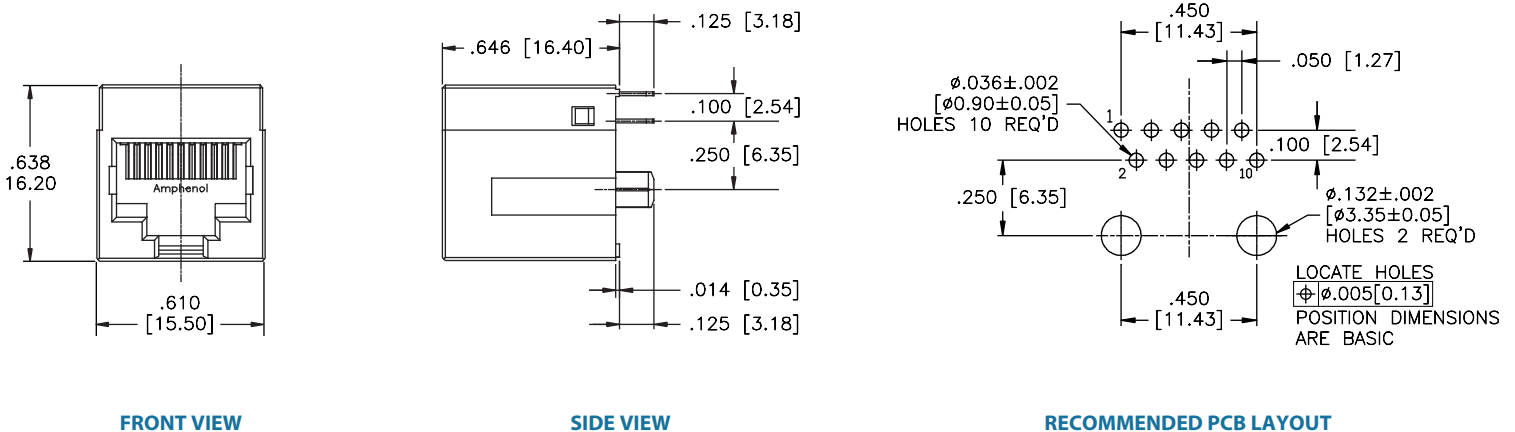
Single Port Non-Shielded

RJE74-1AA-0X10



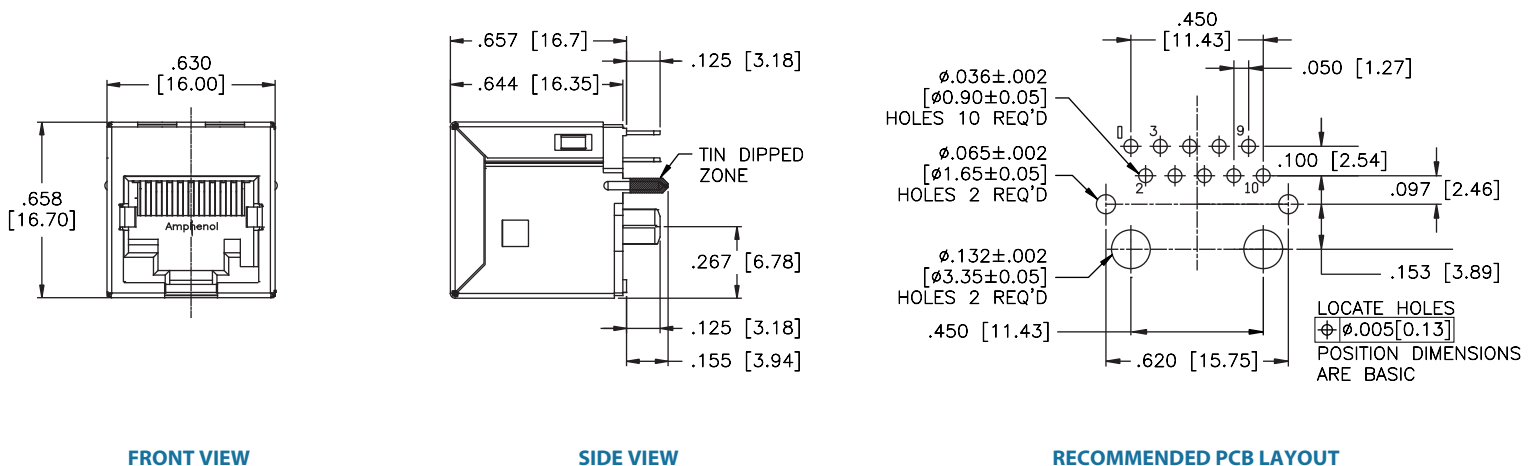
Non-Shielded with Keying

RJE74-1AA-0X11



Shielded with Keying

RJE74-1AA-1X11



RJE88

SINGLE PORT, LOW PROFILE, WITH LEDs

SINGLE PORT, LOW PROFILE, WITH LEDs

Vertical through-hole (THT) in single port RJ45 configurations with full shield or superior EMI protection. A variety of LED options for link activity and network verification are available. Made with high temperature composite and when accompanied with our high temperature resistant LEDs, these connectors are well suited for the IR Reflow process.



SPECIFICATIONS

Material

| | |
|-------------------|---|
| Insulator: | High temp. thermoplastic; Complies with UL 94V-0; Black |
| Contacts: | Phosphor bronze hard temper with gold thickness options (6 μ ", 15 μ ", 30 μ ", 50 μ "") over 50 μ " min. nickel on contact mating area; 100 μ " min. matte tin plating on soldering tail |
| Shield: | Stainless steel; pure tin dipped tail |
| LED: | Tin plating on LED tails |

Mechanical

| | |
|---|--|
| Insertion Force: | 5 lbs max. |
| Pull Retention Force: | 20 lbs min. |
| Durability: | 750 mating & unmating cycles |
| Recommended Soldering Temperature: | Wave soldering peaked at 260°C for 5 secs max. |
| Operating Temperature: | -55°C to + 85°C |

*Note: Connectors without LEDs are suitable for IR Reflow

Electrical

| | |
|--------------------------------|---|
| Contact Resistance | 20 m Ω max. |
| Insulation resistance: | 500 M Ω min. at 500V DC for 2 mins max. |
| Current Rating: | 1.5 Amps per contact |
| Voltage Rating: | 125 Volts AC |
| DWV: | 1000 VAC, 60 Hz. 1 min. |
| LED Forward DC Current: | 20mA typical |
| LED Forward Voltage: | 1.9 Volts max. at 2mA (for single colours) 2.6 Volts max. at 2mA (for bicolours) |
| LED Reverse Voltage: | 5 Volts min. |
| LED Light Intensity: | 0.4 to 1.5 mcd min. at 2mA (for single colours) 0.5 mcd min. at 2mA (for bicolours) |
| LED Wave Length: | Yellow: 587 \pm 7 nm measured at 20mA Green: 565 \pm 6 nm measured at 20mA Red: 625 \pm 5 nm measured at 20mA |

ORDERING INFORMATION

RJE88 - 1 8 8 - X X X X - X

Number of Ports

1 - 1 Port

Number of Positions

8 - 8 Positions

Number of Contacts

8 - 8 Contacts

Shield Options

- 0 - No shield
- 1 - Shield with PCB tabs, no top and bottom tabs
- 2 - Shield with PCB tabs, top and bottom tabs

Packaging

Blank - Tray
T - Tape & Reel

Modifier

0 - 2.7mm (0.11") tail length
A - 3.5mm (0.14") tail length

LED Options

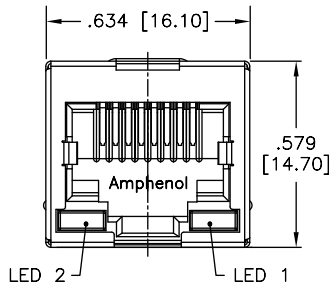
Contact Plating

- 1 - 6 μ " gold plating
- 2 - 15 μ " gold plating
- 3 - 30 μ " gold plating
- 4 - 50 μ " gold plating

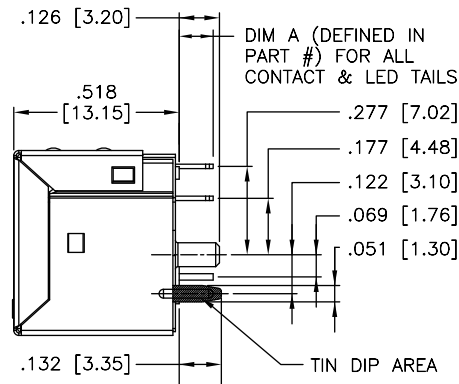
Didn't find what you were looking for?

Please contact sales@amphenolcanada.com and let us know what you need.

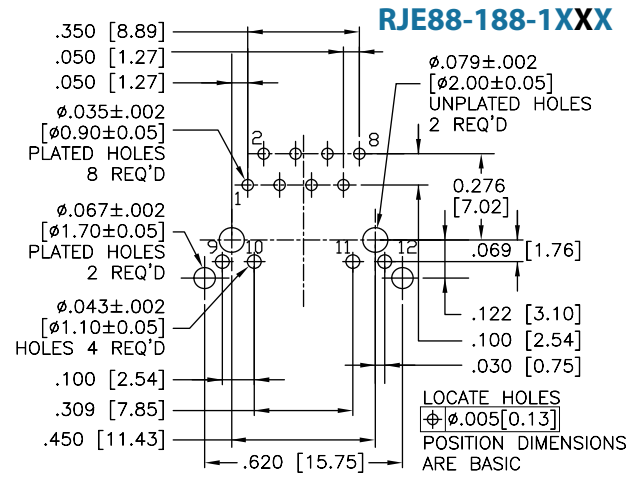
Single Port Shielded



FRONT VIEW

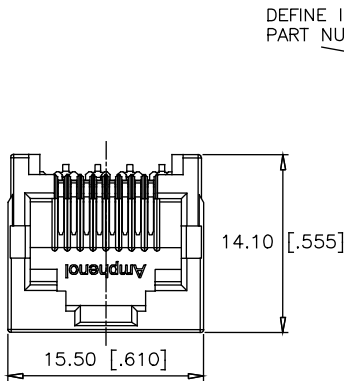


SIDE VIEW

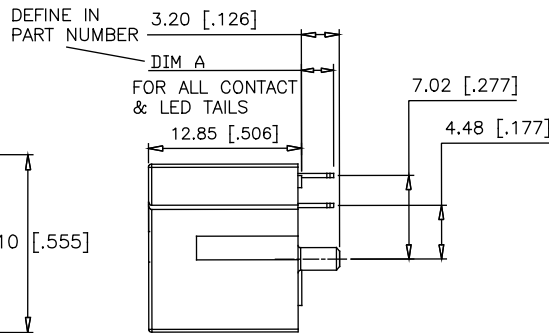


RECOMMENDED PCB LAYOUT

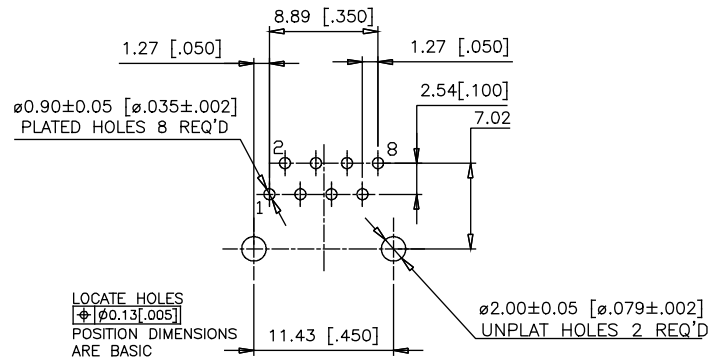
Non-Shielded



FRONT VIEW



SIDE VIEW



RECOMMENDED PCB LAYOUT

RJE88-188-0X0X

Notes

RJE1J

SINGLE PORT, NARROW PROFILE

PORT, NARROW PROFILE

Basic 8P8C, single port, vertical connector with no shield or LED options. Made with high temperature thermoplastic this series is suitable for the IR Reflow process. This series is ideal for high volume cost sensitive programs.



SPECIFICATIONS

Material

| | |
|-------------------|--|
| Insulator: | High temp. thermoplastic; Complies with UL 94V-0; Black |
| Contacts: | Phosphor bronze hard temper with gold thickness options (6µ", 15µ", 30µ", 50µ") over 50µ" min. nickel on contact mating area; 100µ" min. matte tin plating on tail |

Electrical

| | |
|-------------------------------|--|
| Contact Resistance | 20 mΩ max. |
| Insulation resistance: | 500 MΩ min. at 500V DC for 2 mins max. |
| Current Rating: | 1.5 Amps per contact |
| Voltage Rating: | 125 Volts AC |
| DWV: | 1000 VAC, 60 Hz. 1 min. |

Mechanical

| | |
|---|--|
| Insertion Force: | 5 lbs max. |
| Pull Retention Force: | 20 lbs min. |
| Durability: | 750 mating & unmating cycles |
| Recommended Soldering Temperature: | Wave soldering peaked at 260°C for 5 secs max. |
| Operating Temperature: | -55°C to + 85°C |

**Note: Suitable for IR Reflow*

ORDERING INFORMATION

RJE1J - 1 X X - 0 X 1 0 - X

Number of Ports

1 - 1 Port

Number of Positions

4 - 4 Positions

6 - 6 Positions

8 - 8 Positions

Number of Contacts

2 - 2 Contacts

4 - 4 Contacts

6 - 6 Contacts

8 - 8 Contacts

Shield Options

0 - No shield

Packaging

Blank - Tray

T - Tape & Reel

Modifier

0 - Standard product

Panel Stop Options

1 - Black housing

Contact Plating

1 - 6µ" gold plating

2 - 15µ" gold plating

3 - 30µ" gold plating

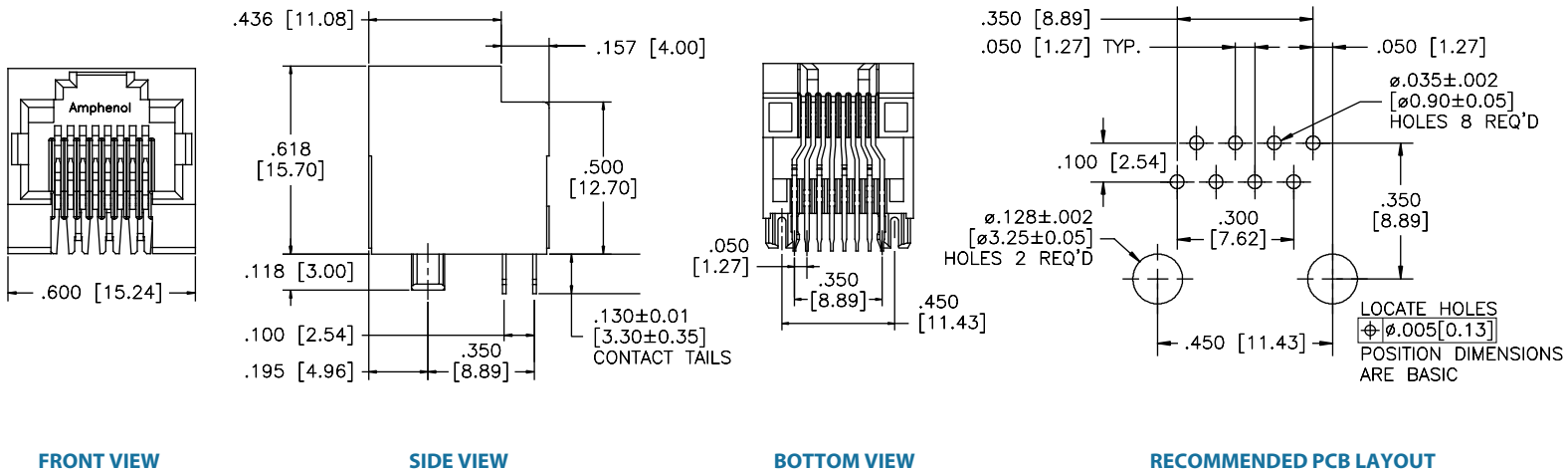
4 - 50µ" gold plating

Didn't find what you were looking for?

Please contact sales@amphenolcanada.com and let us know what you need.

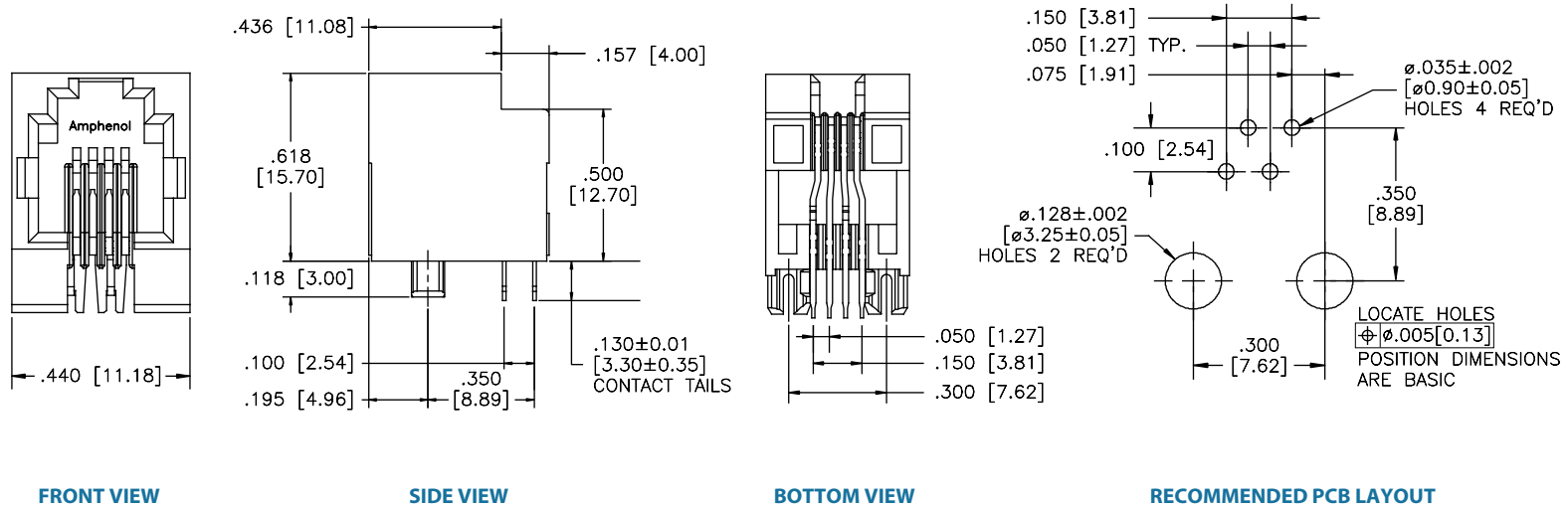
Single Port Non-Shielded

RJE1J-188-0X10



Non-Shielded

RJE1J-144-0X10

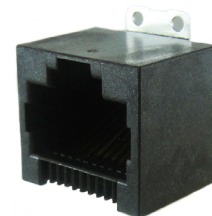


RJE23

SINGLE PORT, SURFACE MOUNT

SINGLE PORT, SURFACE MOUNT

The RJE23 series is designed for high volume production where a vertical modular jack is required. Shielding provides increased EMI performance. Surface mount contacts and hold-down nail bracket assist in speeding up the production process.



SPECIFICATIONS

Material

| | |
|---------------------|--|
| Insulator: | High temp. thermoplastic; Complies with UL 94V-0; Black |
| Contacts: | Phosphor bronze hard temper with gold thickness options (6µ", 15µ", 30µ", 50µ") over 50µ" min. nickel on contact mating area; 100µ" min. matte tin plating over nickel on soldering tail |
| Shield: | Copper alloy; matte tin plating |
| Hold Down: | Copper alloy; matte tin plating |
| Coplanarity: | 0.004" max. gap between all terminal tails |

Mechanical

| | |
|-------------------------------|------------------------------|
| Insertion Force: | 5 lbs max. |
| Pull Retention Force: | 20 lbs min. |
| Durability: | 750 mating & unmating cycles |
| Operating Temperature: | -55°C to +85°C |

*Note: Connector is suitable for IR Reflow

Electrical

| | |
|-------------------------------|--|
| Contact Resistance | 20 mΩ max. |
| Insulation resistance: | 500 MΩ min. at 500V DC for 2 mins max. |
| Current Rating: | 1.5 Amps per contact |
| Voltage Rating: | 125 Volts AC |
| DWV: | 1000 VAC, 60 Hz. 1 min. |

ORDERING INFORMATION

RJE23 - 1 X X - 0 X X 0 - X

Number of Ports

1 - 1 Port

Number of Positions

4 - 4 Positions
6 - 6 Positions
8 - 8 Positions

Number of Contacts

4 - 4 Contacts
6 - 6 Contacts
8 - 8 Contacts

Shield Options

0 - No shield
2 - Shield with no tabs
3 - Shield with side tabs

Packaging

Blank - Tray
T - Tape & Reel

Modifier

3 - Standard with solderplate & kapton tape
4 - Standard with solderplate
6 - Standard with solderplate inward

Housing/Panel Stop Options

1 - Black housing without panel stop
2 - Black housing with panel stop

Contact Plating

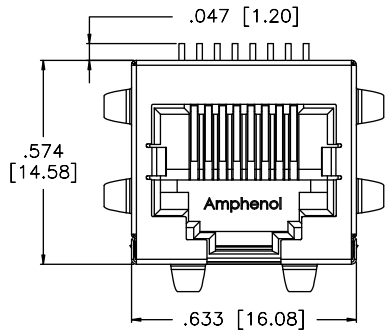
1 - 6µ" gold plating
2 - 15µ" gold plating
3 - 30µ" gold plating
4 - 50µ" gold plating

Didn't find what you were looking for?

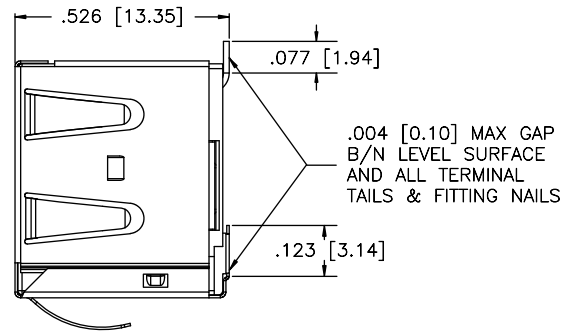
Please contact sales@amphenolcanada.com and let us know what you need.

Single Port Shielded

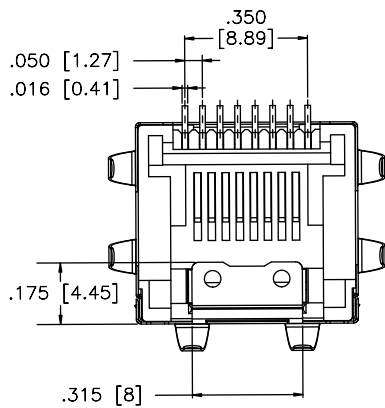
RJE23-188-3X16



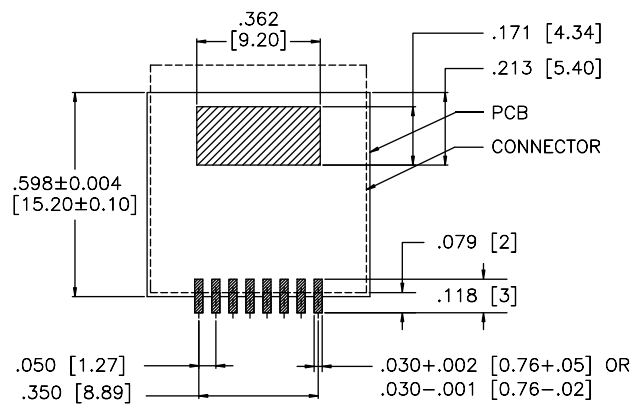
FRONT VIEW



SIDE VIEW



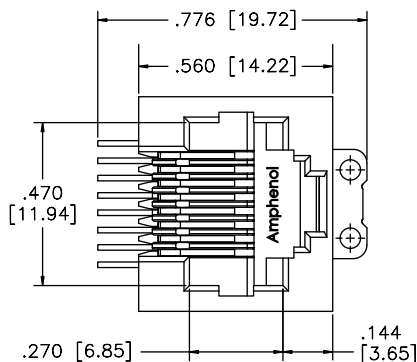
BOTTOM VIEW



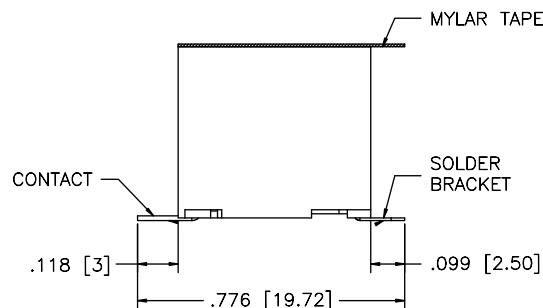
RECOMMENDED PCB LAYOUT

Non-Shielded

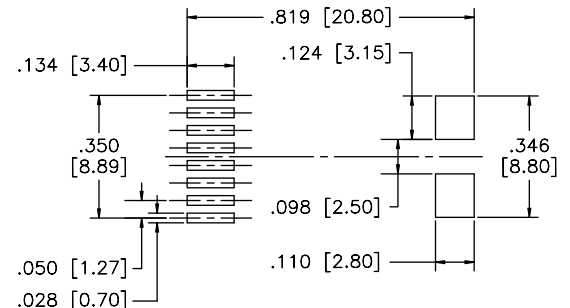
RJE23-188-0X13



FRONT VIEW



SIDE VIEW



RECOMMENDED PCB LAYOUT

RJSAE

2, 4 AND 8 PORTS WITH LED AND SHIELD OPTIONS

2, 4 AND 8 PORTS WITH LED AND SHIELD OPTIONS

The RJSAE is a RJ45 stackable connector that reduces component and labor costs by incorporating LEDs. Its stackable feature enables more ports with the same board space. With superior EMI performance, the option of configuring your connector with a Ferrite Filter is available to further reduce crosstalk in noisy applications. A variety of LED combinations, port configurations and shielded and unshielded options also available.



SPECIFICATIONS

Material

| | |
|-------------------|--|
| Insulator: | High temp. thermoplastic; Complies with UL 94V-0; Black |
| Contacts: | Phosphor bronze hard temper with gold thickness options (6 μ ", 15 μ ", 30 μ ", 50 μ ") over 50 μ " min. nickel on contact mating area; 100 μ " min. matte tin plating on tail |
| Shield: | Copper alloy; nickel plated or stainless steel with tin dripped tail (as specified in drawing) |
| LED: | Tin plating on LED tail |

Mechanical

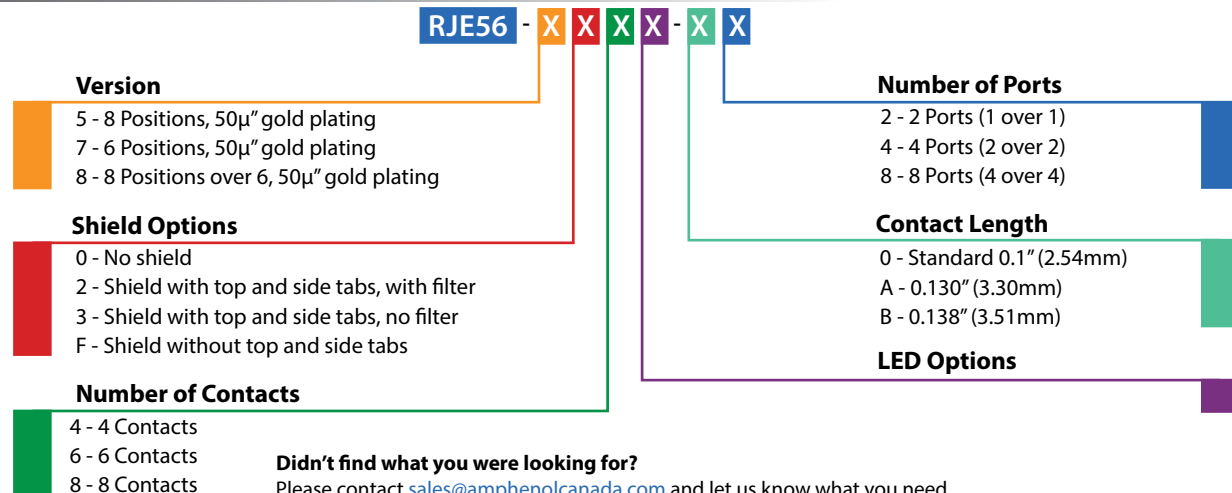
| | |
|---|--|
| Insertion Force: | 5 lbs max. |
| Pull Retention Force: | 20 lbs min. |
| Durability: | 750 mating & unmating cycles |
| Recommended Soldering Temperature: | Wave soldering peaked at 260°C for 5 secs max. |
| Operating Temperature: | -55°C to + 85°C |
| UL File #: | E136228 |
| CSA File #: | 150190 |

**Note: Connectors without LEDs are suitable for IR Reflow;
Connectors with Reflow LEDs available*

Electrical

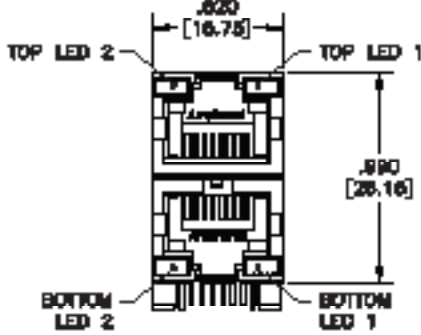
| | |
|--------------------------------|---|
| Contact Resistance | 20 m Ω max. |
| Insulation resistance: | 500 M Ω min. at 500V DC for 2 mins max. |
| Current Rating: | 1.5 Amps per contact |
| Voltage Rating: | 125 Volts AC |
| DWV: | Contact to contact: 1000 VAC, 60 Hz. 1 min. |
| LED Forward DC Current: | 20mA typical |
| LED Forward Voltage: | 1.9 Volts max. at 2mA (for single colours) 2.6 Volts max. at 2mA (for bicolours) |
| LED Reverse Voltage: | 5 Volts min. |
| LED Light Intensity: | 0.4 to 1.5 mcd min. at 2mA (for single colours) 0.5 mcd min. at 2mA (for bicolours) |
| LED Wave Length: | Yellow: 587 \pm 7 nm measured at 20mA Green: 565 \pm 6 nm measured at 20mA Red: 625 \pm 5 nm measured at 20mA |

ORDERING INFORMATION

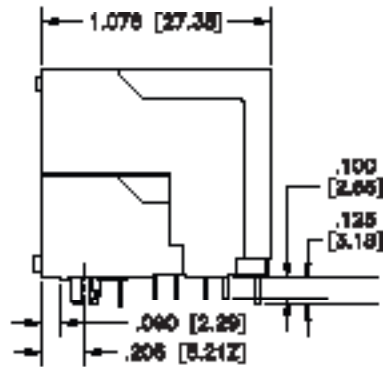


Single Port Non-Shielded

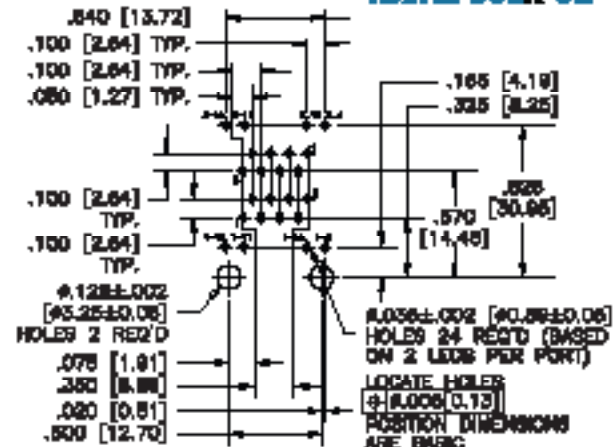
RJSAE-508X-02



FRONT VIEW



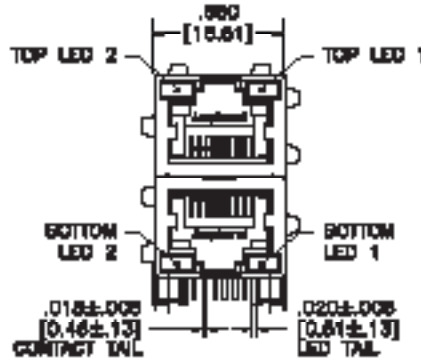
SIDE VIEW



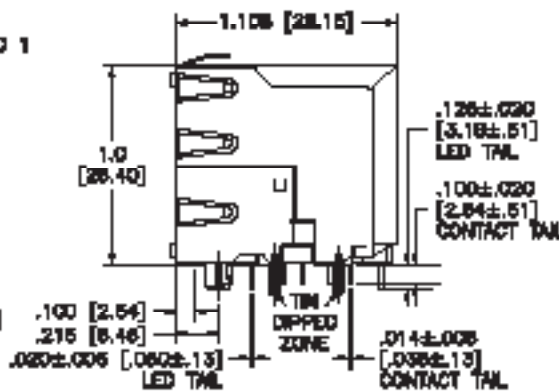
RECOMMENDED PCB LAYOUT

Shielded

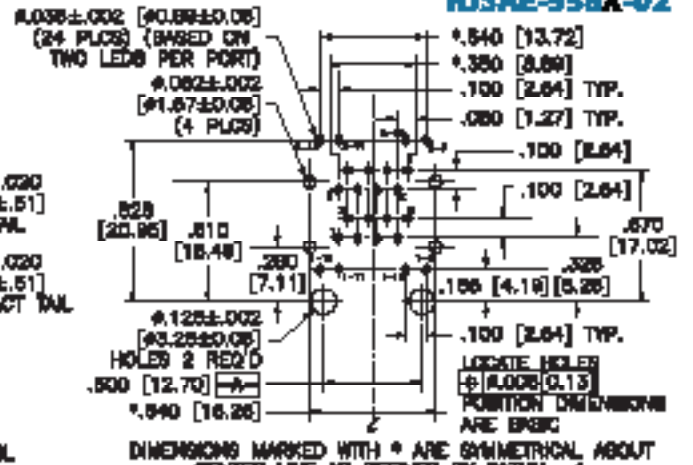
RJSAE-538X-02



FRONT VIEW



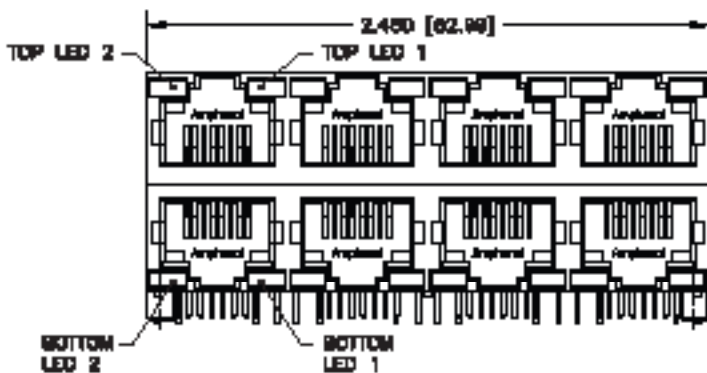
SIDE VIEW



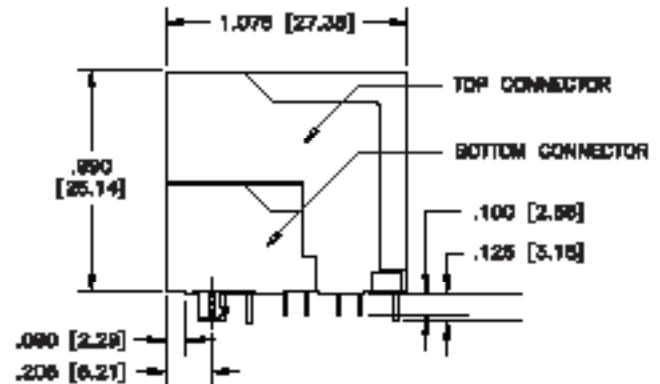
RECOMMENDED PCB LAYOUT

Multi Port Non-Shielded

RJSAE-508X-08



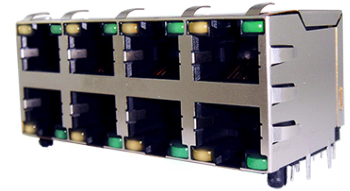
FRONT VIEW



SIDE VIEW

4 OVER 4 PORTS WITH LED AND SHIELD OPTIONS

The RJSNE series is a stacked connector that offers LED options for link activity and network verification. It is available with or without shielding. The RJSNE series also includes a unique inner shield device to reduce the crosstalk between top and bottom ports.



SPECIFICATIONS

Material

| | |
|-------------------|--|
| Insulator: | Engineering thermoplastic; Complies with UL 94V-0; Black |
| Contacts: | Phosphor bronze hard temper with gold thickness options (6µ", 15µ", 30µ", 50µ") over 50µ" min. nickel on contact mating area; 100µ" min. matte tin plating on tail |
| Shield: | Copper alloy; nickel plated or stainless steel with tin dripped tail |
| LED: | Pure tin plating on LED tail |

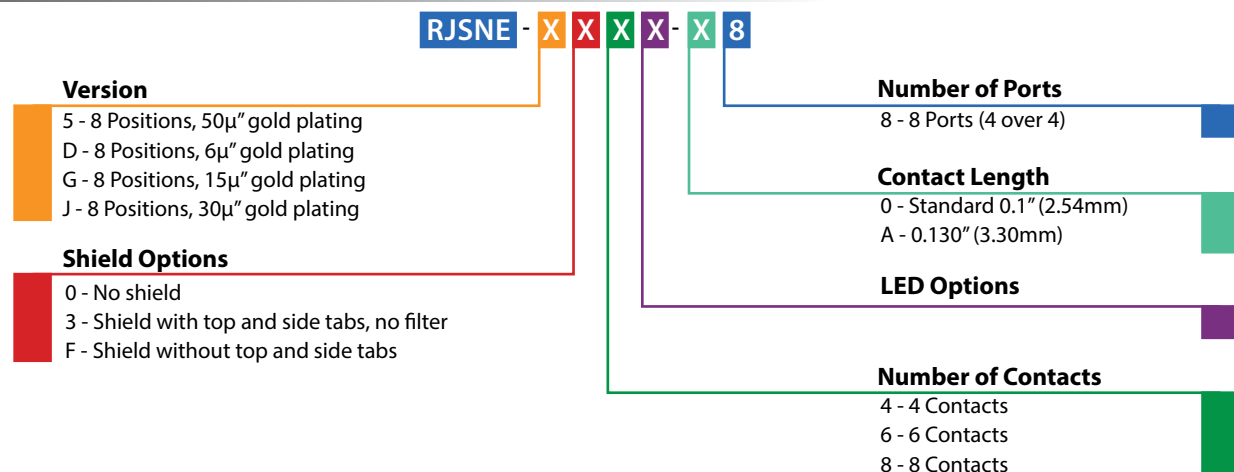
Mechanical

| | |
|---|--|
| Insertion Force: | 5 lbs max. |
| Pull Retention Force: | 20 lbs min. |
| Durability: | 750 mating & unmating cycles |
| Recommended Soldering Temperature: | Wave soldering peaked at 260°C for 5 secs max. |
| Operating Temperature: | -40°C to + 85°C |
| UL File #: | E135615 |
| CSA File #: | 150190 |

Electrical

| | |
|--------------------------------|---|
| Contact Resistance | 20 mΩ max. |
| Insulation resistance: | 500 MΩ min. at 500V DC for 2 mins max. |
| Current Rating: | 1.5 Amps per contact |
| Voltage Rating: | 125 Volts AC |
| DWV: | 1000 VAC, 60 Hz. 1 min. |
| LED Forward DC Current: | 20mA typical |
| LED Forward Voltage: | 1.9 Volts max. at 2mA (for single colours) 2.6 Volts max. at 20mA (for bicolours) |
| LED Reverse Voltage: | 5 Volts min. |
| LED Light Intensity: | 0.4 to 1.5 mcd min. at 2mA (for single colours) 0.5 mcd min. at 2mA (for bicolours) |
| LED Wave Length: | Yellow: 587 ± 7 nm measured at 20mA Green: 565 ± 6 nm measured at 20mA Red: 625 ± 5 nm measured at 20mA |

ORDERING INFORMATION

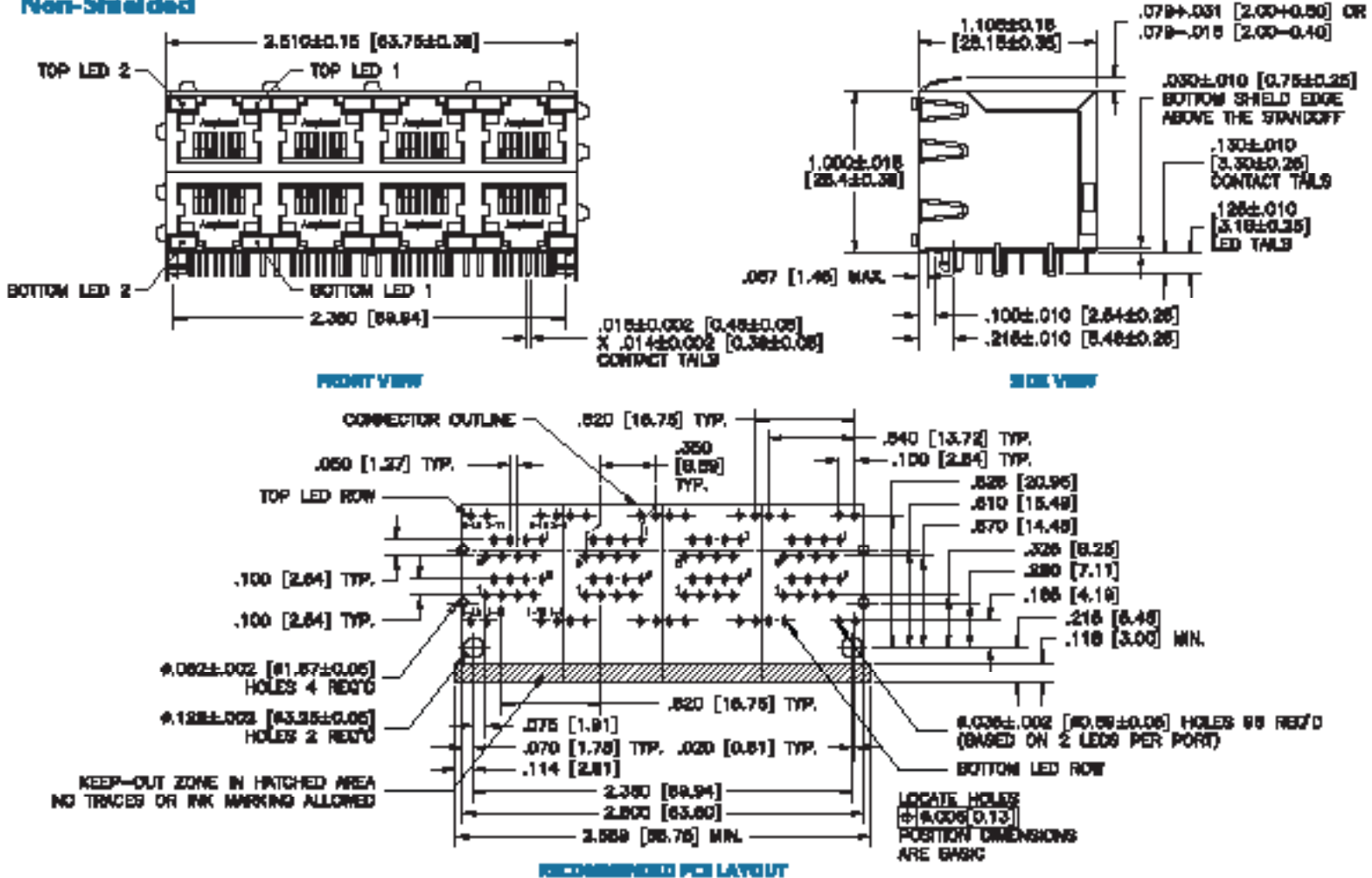


Didn't find what you were looking for?

Please contact sales@amphenolcanada.com and let us know what you need.

Single Port Non-Shielded

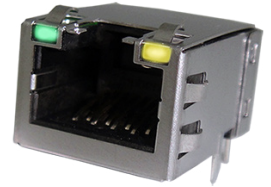
RJSNE-53B(X)-X9



Notes

RIGHT ANGLED, LOW PROFILE, WITH LEDs

The RJE48 series of modular jacks meet CAT 5e performance per EIA-568-C.2. It supports Gigabit Ethernet Protocols. Shielding is available for increased EMI performance and LEDs for link activity and network verification.



SPECIFICATIONS

Material

| | |
|-------------------|--|
| Insulator: | High temp. thermoplastic; Complies with UL 94V-0; Black |
| Contacts: | Phosphor bronze hard temper with gold thickness options (6µ", 15µ", 30µ", 50µ") over 50µ" min. nickel on contact mating area; 100µ" min. matte tin plating on solder tails |
| Shield: | Stainless steel with tin dipped tails |
| LED: | Tin plating on LED tail |

Mechanical

| | |
|---|--|
| Insertion Force: | 5 lbs max. |
| Pull Retention Force: | 20 lbs min. |
| Durability: | 750 mating & unmating cycles |
| Recommended Soldering Temperature: | Wave soldering peaked at 260°C for 5 secs max. |
| Operating Temperature: | -55°C to + 85°C |

Electrical

| | |
|--------------------------------|---|
| Contact Resistance | 20 mΩ max. |
| Insulation resistance: | 500 MΩ min. at 500V DC for 2 mins max. |
| Current Rating: | 1.25 Amps per contact |
| Voltage Rating: | 125 Volts AC |
| DWV: | 1000 VAC, 60 Hz. 1 min. |
| LED Forward DC Current: | 20mA typical |
| LED Forward Voltage: | 1.9 Volts max. at 2mA (for single colours) 2.6 Volts max. at 20mA (for bicolours) |
| LED Reverse Voltage: | 5 Volts min. |
| LED Light Intensity: | 0.4 to 1.5 mcd min. at 2mA (for single colours) 0.5 mcd min. at 2mA (for bicolours) |
| LED Wave Length: | Yellow: 587 ± 7 nm measured at 20mA Green: 565 ± 6 nm measured at 20mA Red: 625 ± 5 nm measured at 20mA |

ORDERING INFORMATION

RJE48 - X 8 8 - X X X 1 - X

Number of Ports

- 1 - 1 Port
- 4 - 4 Port

Number of Positions

- 8 - 8 Positions

Number of Contacts

- 8 - 8 Contacts

Shield Options

- 0 - No shield
- 1 - Shield with top and side tabs
- 3 - Shield without top and side tabs

Packaging

- Blank - Tray
- T - Tape & Reel

Modifier

- 1 - 3.00mm tail length

LED Options

Contact Plating

- 1 - 6µ" gold plating
- 2 - 15µ" gold plating
- 3 - 30µ" gold plating
- 4 - 50µ" gold plating

Didn't find what you were looking for?

Please contact sales@amphenolcanada.com and let us know what you need.

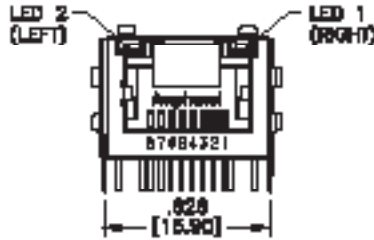
RJE48

CAT 5e, RIGHT ANGLE, LOW PROFILE, WITH LEDs

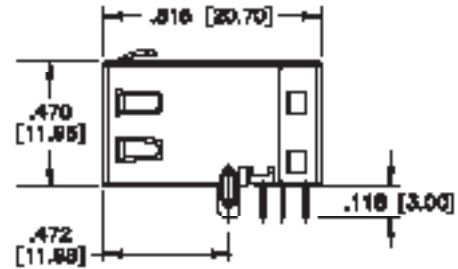
Single Port

Shielded

RJE48-188-1XX1



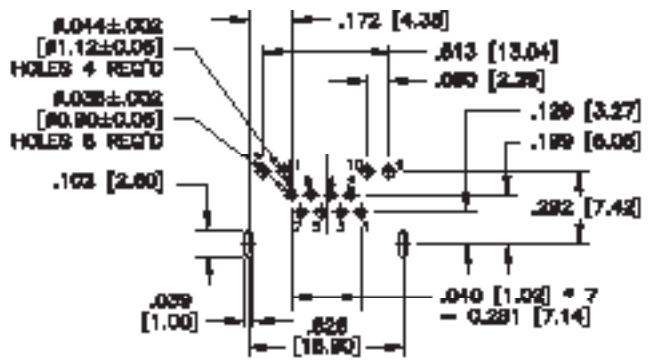
FRONT VIEW



SIDE VIEW



TOP VIEW

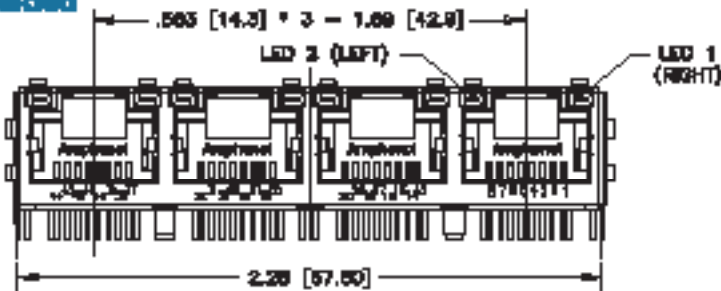


RECOMMENDED PCB LAYOUT

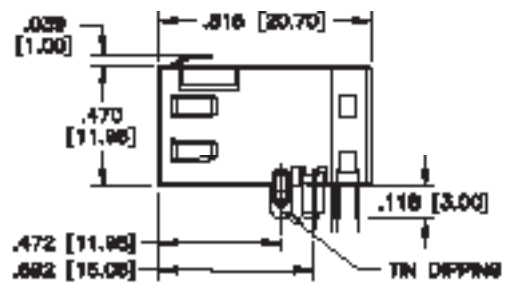
Multi Port

Shielded

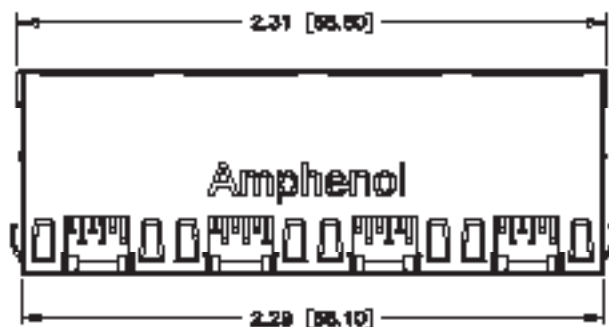
RJE48-488-1XX1



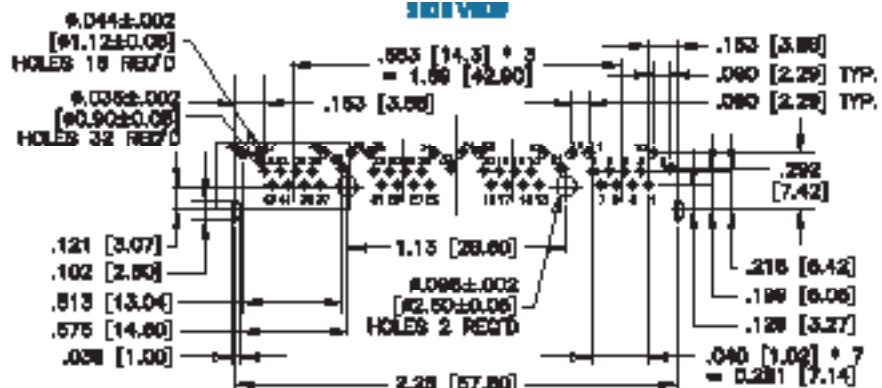
FRONT VIEW



SIDE VIEW



TOP VIEW



RECOMMENDED PCB LAYOUT

RJE58

CAT 5e, RIGHT ANGLE, STANDARD PROFILE, WITH LEDs

RIGHT ANGLED, STANDARD PROFILE, WITH LEDs

The RJE58 series of modular jacks meet CAT 5e performance per EIA-568-C.2. It supports Gigabit Ethernet Protocols. Shielding is available for increased EMI performance and LEDs for link activity and network speed verification.



SPECIFICATIONS

Material

| | |
|-------------------|--|
| Insulator: | High temp. thermoplastic; Complies with UL 94V-0; Black |
| Contacts: | Phosphor bronze hard temper with gold thickness options (6 μ ", 15 μ ", 30 μ ", 50 μ ") over 50 μ " min. nickel on contact mating area; 100 μ " min. matte tin plating on solder tails |
| Shield: | Stainless steel with tin dipped tails |
| LED: | Tin plating on LED tail |

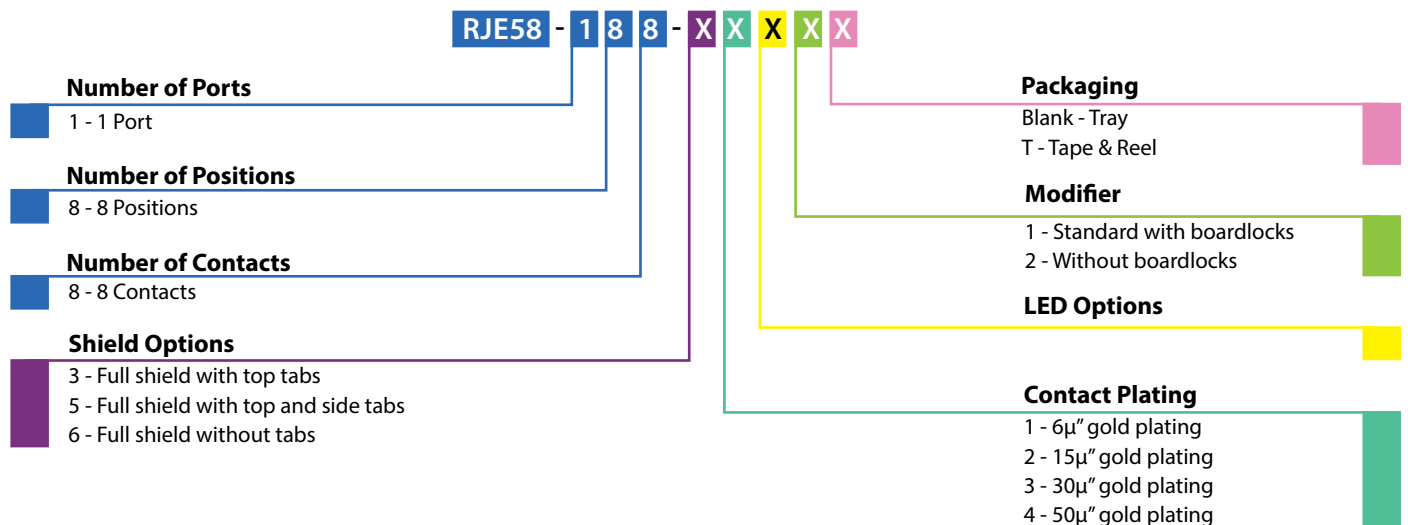
Mechanical

| | |
|---|---|
| Insertion Force: | 5 lbs max. |
| Pull Retention Force: | 20 lbs min. |
| Durability: | 750 mating & unmating cycles |
| Recommended Soldering Temperature: | IR Reflow peaked at 260°C for 5 secs max. |
| Operating Temperature: | -55°C to + 85°C |

Electrical

| | |
|--------------------------------|---|
| Contact Resistance | 20 m Ω max. |
| Insulation resistance: | 500 M Ω min. at 500V DC for 2 mins max. |
| Current Rating: | 1.25 Amps per contact |
| Voltage Rating: | 125 Volts AC |
| DWV: | 1000 VAC, 60 Hz. 1 min. |
| LED Forward DC Current: | 20mA typical |
| LED Forward Voltage: | 1.9 Volts max. at 2mA (for single colours) 2.6 Volts max. at 20mA (for bicolours) |
| LED Reverse Voltage: | 5 Volts min. |
| LED Light Intensity: | 0.4 to 1.5 mcd min. at 2mA (for single colours) 0.5 mcd min. at 2mA (for bicolours) |
| LED Wave Length: | Yellow: 587 \pm 7 nm measured at 20mA Green: 565 \pm 6 nm measured at 20mA Red: 625 \pm 5 nm measured at 20mA |

ORDERING INFORMATION



Didn't find what you were looking for?

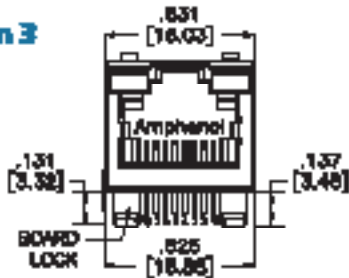
Please contact sales@amphenolcanada.com and let us know what you need.

RJE58

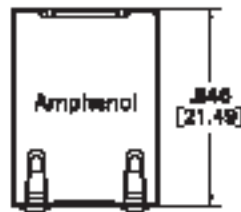
CAT 5e, RIGHT ANGLE, STANDARD PROFILE, WITH LEDS

Single Port Shielded - Option 3

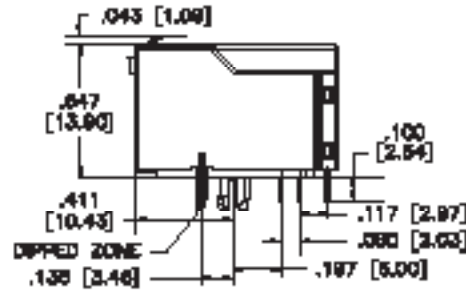
RJE58-1 8B-3XX1



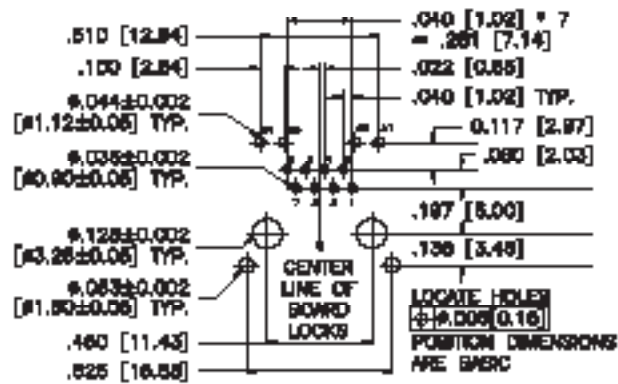
FRONT VIEW



TOP VIEW



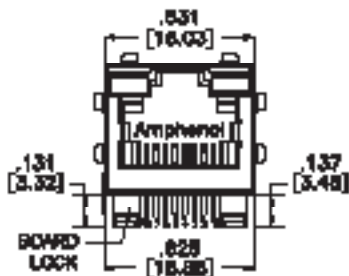
SIDE VIEW



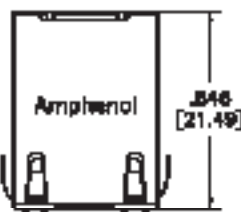
RECOMMENDED PCB LAYOUT

Shielded - Option 5

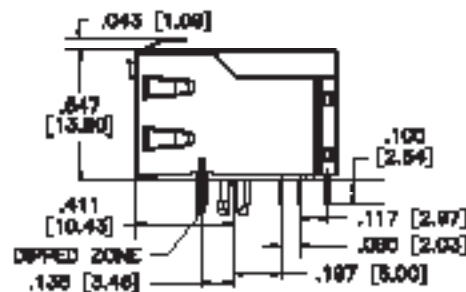
RJE58-1 8B-5XX1



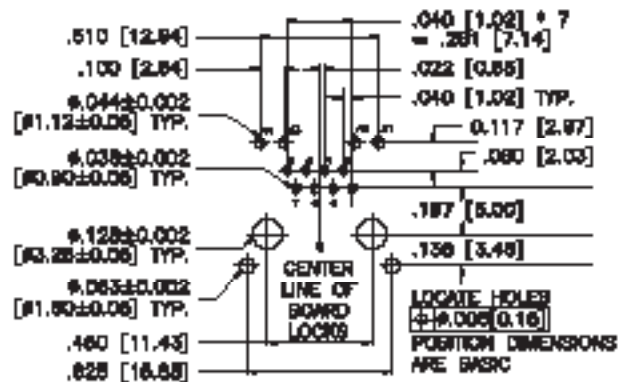
FRONT VIEW



TOP VIEW



SIDE VIEW



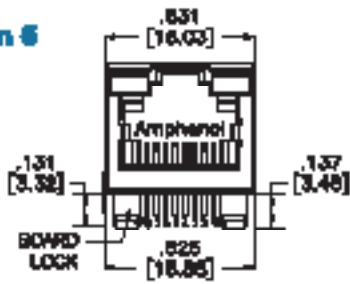
RECOMMENDED PCB LAYOUT

RJE58

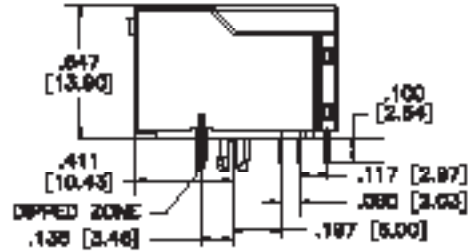
CAT 5e, RIGHT ANGLE, STANDARD PROFILE, WITH LEDS

Single Port Shielded - Option 6

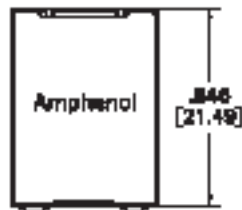
RJE58-1 58-6XX1



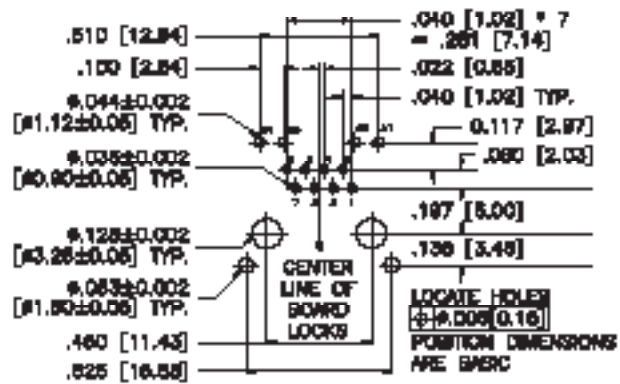
FRONT VIEW



SIDE VIEW



TOP VIEW



RECOMMENDED PCB LAYOUT

Notes

RJE72

CAT 5e, RIGHT ANGLE, RECESSED, LOW PROFILE WITH LEDs

RIGHT ANGLE, RECESSED, LOW PROFILE WITH LEDs

The RJE72 series of modular jacks meet CAT 5e performance per EIA-568-C.2. It supports Gigabit Ethernet Protocols. Shielding available for increased EMI performance and LEDs for link activity and network speed verification.



SPECIFICATIONS

Material

| | |
|-------------------|---|
| Insulator: | High temp. thermoplastic; Complies with UL 94V-0; Black |
| Contacts: | Phosphor bronze hard temper with gold thickness options (6 μ ", 15 μ ", 30 μ ", 50 μ ") over 50 μ " min. nickel on contact mating area; 100 μ " min. matte tin plating on solder tails |
| Shield: | Stainless steel with tin dipped tails |
| LED: | Tin plating on LED tail |

Mechanical

| | |
|---|--|
| Insertion Force: | 5 lbs max. |
| Pull Retention Force: | 20 lbs min. |
| Durability: | 750 mating & unmating cycles |
| Recommended Soldering Temperature: | Wave soldering peaked at 260°C for 5 secs max. |
| Operating Temperature: | -55°C to + 85°C |
| UL file #: | E135615 |

*Note: IR Reflow compatible; Consult factory for details

Electrical

| | |
|--------------------------------|---|
| Contact Resistance | 20 m Ω max. |
| Insulation resistance: | 500 M Ω min. at 500V DC for 2 mins max. |
| Current Rating: | 1.25 Amps per contact |
| Voltage Rating: | 125 Volts AC |
| DWV: | 1000 VAC, 60 Hz. 1 min. |
| LED Forward DC Current: | 20mA typical |
| LED Forward Voltage: | 1.9 Volts max. at 2mA (for single colours) 2.6 Volts max. at 20mA (for bicolours) |
| LED Reverse Voltage: | 5 Volts min. |
| LED Light Intensity: | 0.4 to 1.5 mcd min. at 2mA (for single colours) 0.5 mcd min. at 2mA (for bicolours) |
| LED Wave Length: | Yellow: 587 \pm 7 nm measured at 20mA Green: 565 \pm 6 nm measured at 20mA Red: 625 \pm 5 nm measured at 20mA |

ORDERING INFORMATION

RJE72 - X 8 8 - 1 X X X - X

Number of Ports

- 1 - 1 Port
- 4 - 4 Ports

Number of Positions

- 8 - 8 Positions

Number of Contacts

- 8 - 8 Contacts

Shield Options

- 1 - Full shield with top and side tabs

Packaging

- Blank - Tray
- T - Tape & Reel

Contact length

- 1 - 0.125" (3.18mm)
- 2 - 0.089" (2.27mm)
- 3 - 0.085" (2.16mm)

LED Options

Contact Plating

- 1 - 6 μ " gold plating
- 2 - 15 μ " gold plating
- 3 - 30 μ " gold plating
- 4 - 50 μ " gold plating

Didn't find what you were looking for?

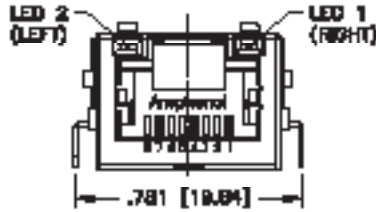
Please contact sales@amphenolcanada.com and let us know what you need.

RJE72

CAT 5e, RIGHT ANGLE, RECESSED, LOW PROFILE WITH LEDs

Single Port Shielded

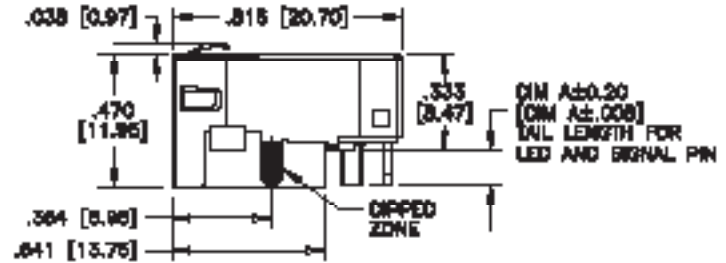
RJE72-188-14X1



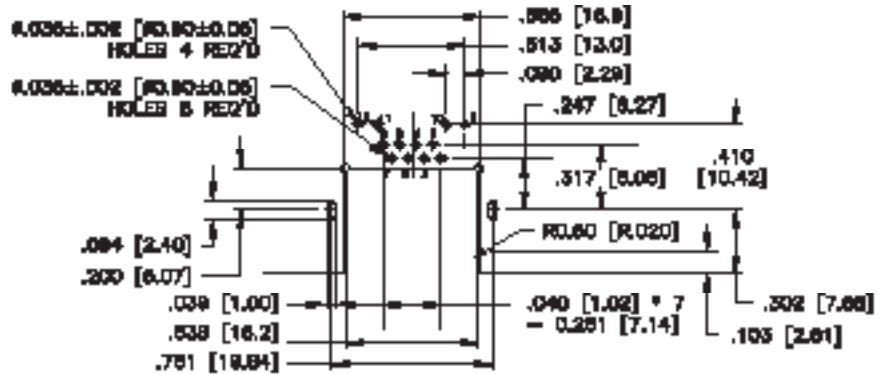
FRONT VIEW



TOP VIEW



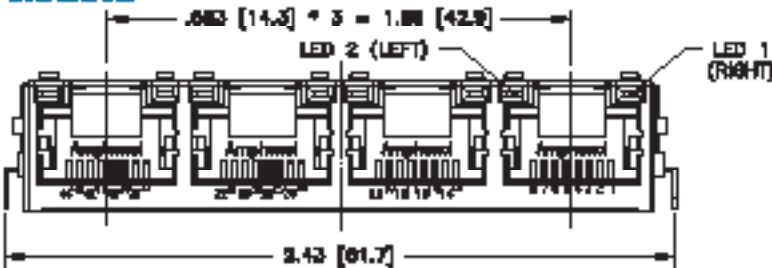
SIDE VIEW



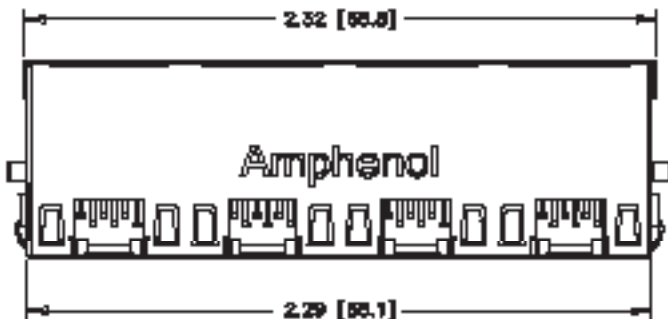
RECOMMENDED PCB LAYOUT

Multi Port Shielded

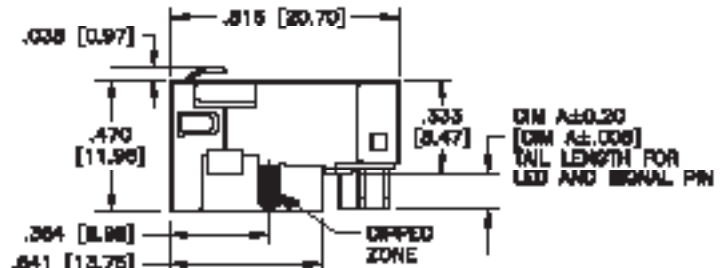
RJE72-488-14X1



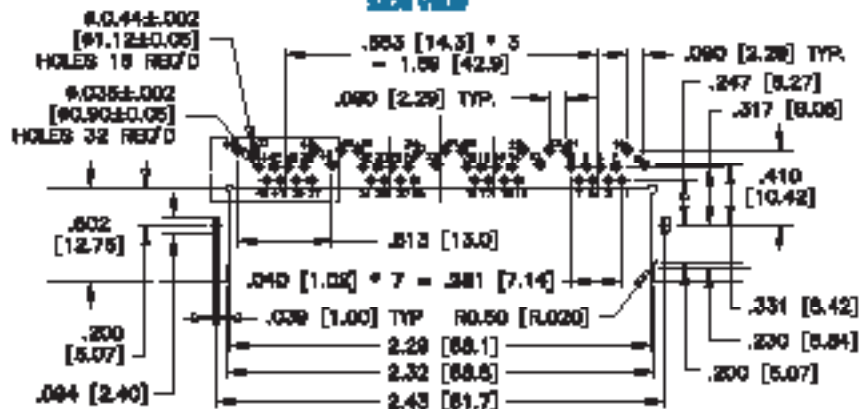
FRONT VIEW



TOP VIEW



SIDE VIEW



RECOMMENDED PCB LAYOUT

RJE45

CAT 6, SINGLE PORT, LOW PROFILE, WITH LEDs

SINGLE PORT, LOW PROFILE, WITH LEDs

The RJE45 series of modular jacks meet CAT 6 performance per EIA-568-C.2. It supports Gigabit Ethernet Protocols and 10 Gig links in applications up to 50m. Shielding available for increased EMI performance and LEDs for link activity and network speed verification.



SPECIFICATIONS

Material

| | |
|-------------------|--|
| Insulator: | High temp. thermoplastic; Complies with UL 94V-0; Black |
| Contacts: | Phosphor bronze hard temper with gold thickness options (6 μ ", 15 μ ", 30 μ ", 50 μ ") over 50 μ " min. nickel on contact mating area; 100 μ " min. matte tin plating on solder tails |
| Shield: | Stainless steel with tin dipped tails |
| LED: | Tin plating on LED tail |

Mechanical

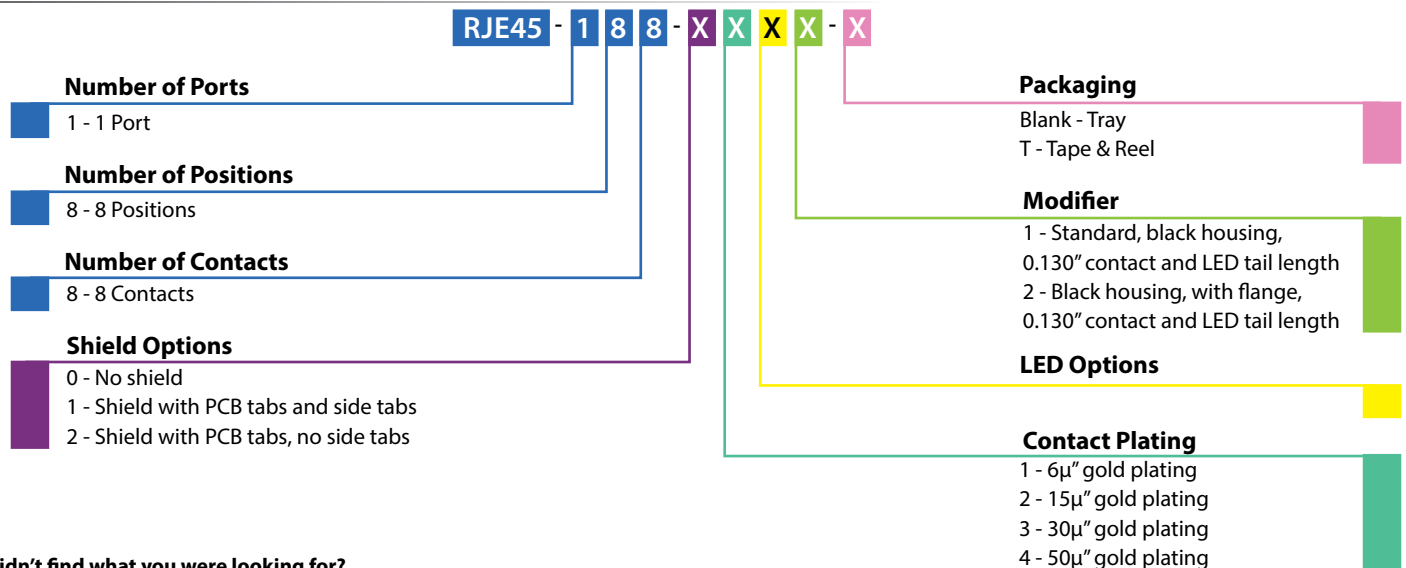
| | |
|---|--|
| Insertion Force: | 5 lbs max. |
| Pull Retention Force: | 20 lbs min. |
| Durability: | 750 mating & unmating cycles |
| Recommended Soldering Temperature: | Wave soldering peaked at 260°C for 5 secs max. or lead free reflow soldering up to 260°C for 10 secs for one cycle with an LED defect rate of no more than 1000ppm |
| Operating Temperature: | -55°C to +85°C |

*Note: Multiple exposures not recommended

Electrical

| | |
|--------------------------------|---|
| Contact Resistance | 20 m Ω max. |
| Insulation resistance: | 500 M Ω min. at 500V DC for 2 mins max. |
| Current Rating: | 1.25 Amps per contact |
| Voltage Rating: | 125 Volts AC |
| DWV: | 1000 VAC, 60 Hz. 1 min. |
| LED Forward DC Current: | 20mA typical |
| LED Forward Voltage: | 1.9 Volts max. at 2mA |
| LED Reverse Voltage: | 5 Volts min. |
| LED Light Intensity: | 0.4 to 1.5 mcd min. at 2mA |
| LED Wave Length: | Yellow: 587 \pm 7 nm measured at 20mA Green: 565 \pm 6 nm measured at 20mA Red: 625 \pm 5 nm measured at 20mA |

ORDERING INFORMATION



Didn't find what you were looking for?

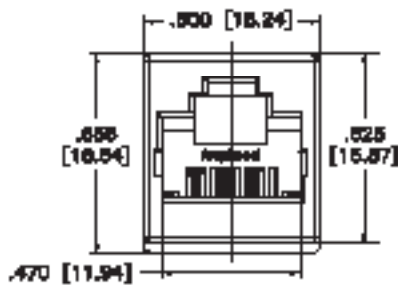
Please contact sales@amphenolcanada.com and let us know what you need.

RJE45

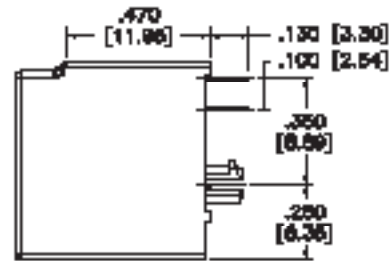
CAT 6, SINGLE PORT, LOW PROFILE, WITH LEDS

Single Port Non-Shielded

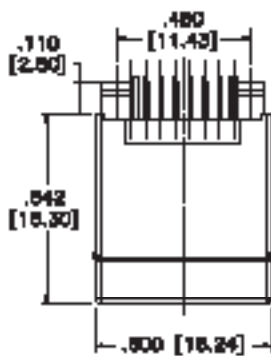
RJE45-188-0X01



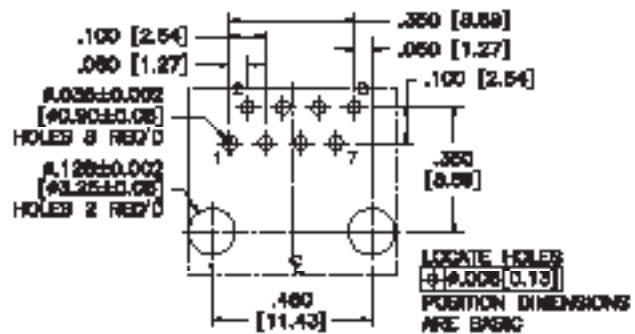
FRONT VIEW



SIDE VIEW



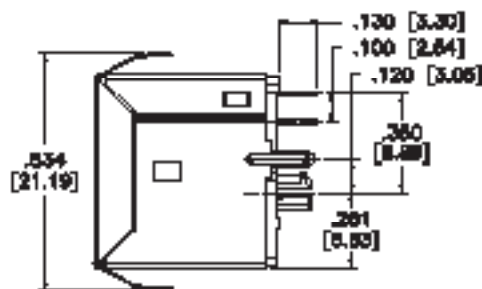
TOP VIEW



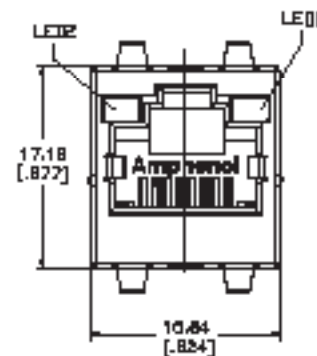
RECOMMENDED PCB LAYOUT

Shielded

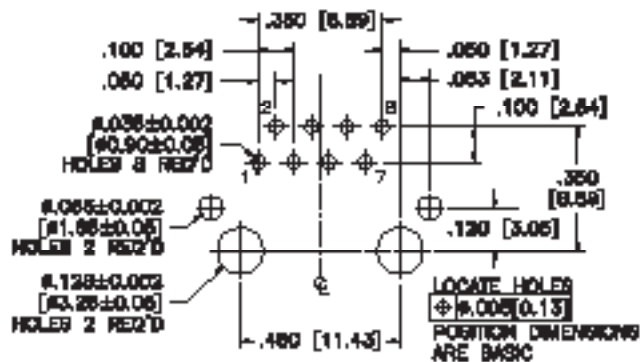
RJE45-188-1XX1



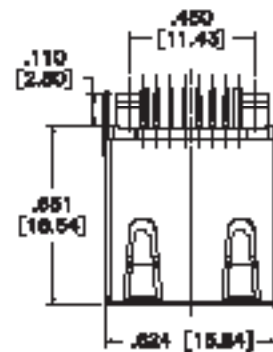
SIDE VIEW



FRONT VIEW



RECOMMENDED PCB LAYOUT



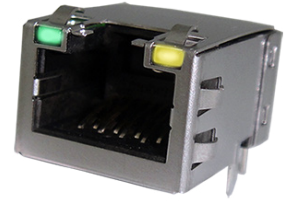
TOP VIEW

RJE49

CAT 6, RIGHT ANGLE, LOW PROFILE, WITH LEDs

RIGHT ANGLE, LOW PROFILE, WITH LEDs

The RJE49 series of modular jacks meet CAT 6 performance per EIA-568-C.2. It supports Gigabit Ethernet Protocols. Shielding is available for increased EMI performance and LEDs for link activity and network verification.



SPECIFICATIONS

Material

| | |
|-------------------|--|
| Insulator: | High temp. thermoplastic; Complies with UL 94V-0; Black |
| Contacts: | Phosphor bronze hard temper with gold thickness options (6µ", 15µ", 30µ", 50µ") over 50µ" min. nickel on contact mating area; 100µ" min. matte tin plating on solder tails |
| Shield: | Stainless steel with tin dipped tails |
| LED: | Tin plating on LED tail |

Mechanical

| | |
|---|--|
| Insertion Force: | 5 lbs max. |
| Pull Retention Force: | 20 lbs min. |
| Durability: | 750 mating & unmating cycles |
| Recommended Soldering Temperature: | Wave soldering peaked at 260°C for 5 secs max. |
| Operating Temperature: | -55°C to +85°C |

Electrical

| | |
|--------------------------------|---|
| Contact Resistance | 20 mΩ max. |
| Insulation resistance: | 500 MΩ min. at 500V DC for 2 mins max. |
| Current Rating: | 1.25 Amps per contact |
| Voltage Rating: | 125 Volts AC |
| DWV: | 1000 VAC, 60 Hz. 1 min. |
| LED Forward DC Current: | 20mA typical |
| LED Forward Voltage: | 1.9 Volts max. at 2mA (for single colours) 2.6 Volts max. at 20mA (for bicolours) |
| LED Reverse Voltage: | 5 Volts min. |
| LED Light Intensity: | 0.4 to 1.5 mcd min. at 2mA (for single colours) 0.5 mcd min. at 2mA (for bicolours) |
| LED Wave Length: | Yellow: 587 ± 7 nm measured at 20mA Green: 565 ± 6 nm measured at 20mA Red: 625 ± 5 nm measured at 20mA |

ORDERING INFORMATION

RJE49 - 1 8 8 - X X X 1 - X

Number of Ports

1 - 1 Port

Number of Positions

8 - 8 Positions

Number of Contacts

8 - 8 Contacts

Shield Options

- 0 - No shield
- 1 - Shield with top and side tabs
- 3 - Shield without top and side tabs

Packaging

Blank - Tray
T - Tape & Reel

Modifier

1 - 3.00mm tail length

LED Options

Contact Plating

- 1 - 6µ" gold plating
- 2 - 15µ" gold plating
- 3 - 30µ" gold plating
- 4 - 50µ" gold plating

Didn't find what you were looking for?

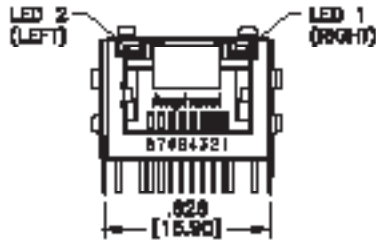
Please contact sales@amphenolcanada.com and let us know what you need.

RJE49

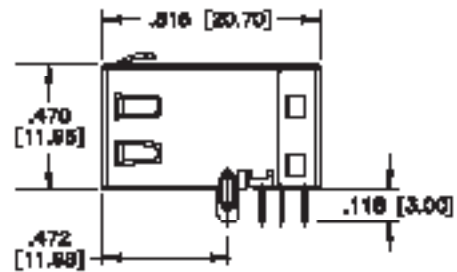
CAT 6, RIGHT ANGLE, LOW PROFILE, WITH LEDs

Single Port Shielded

RJE49-188-1XX1



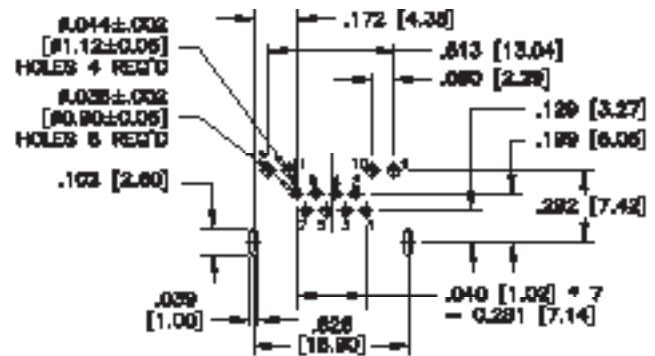
FRONT VIEW



SIDE VIEW



TOP VIEW



RECOMMENDED PCB LAYOUT

Notes

RJE59

CAT 6, RIGHT ANGLE, STANDARD PROFILE, WITH LEDs

RIGHT ANGLE, STANDARD PROFILE, WITH LEDs

The RJE59 series of modular jacks meet CAT 6 performance per EIA-568-C.2. It supports Gigabit Ethernet Protocols. Shielding is available for increased EMI performance and LEDs for link activity and network speed verification.



SPECIFICATIONS

Material

| | |
|-------------------|--|
| Insulator: | High temp. thermoplastic; Complies with UL 94V-0; Black |
| Contacts: | Phosphor bronze hard temper with gold thickness options (6µ", 15µ", 30µ", 50µ") over 50µ" min. nickel on contact mating area; 100µ" min. matte tin plating on solder tails |
| Shield: | Stainless steel with tin dipped tails |
| LED: | Tin plating on LED tail |

Mechanical

| | |
|---|--|
| Insertion Force: | 5 lbs max. |
| Pull Retention Force: | 20 lbs min. |
| Durability: | 750 mating & unmating cycles |
| Recommended Soldering Temperature: | Wave soldering peaked at 260°C for 10 secs max. for one cycle with an LED defect rate of no more than 100ppm |
| Operating Temperature: | -55°C to + 85°C |

**Note: multiple exposures not recommended; IR Reflow compatible version also available; Consult factory for details*

Electrical

| | |
|--------------------------------|---|
| Contact Resistance | 20 mΩ max. |
| Insulation resistance: | 500 MΩ min. at 500V DC for 2 mins max. |
| Current Rating: | 1.25 Amps per contact |
| Voltage Rating: | 125 Volts AC |
| DWV: | 1000 VAC, 60 Hz. 1 min. |
| LED Forward DC Current: | 20mA typical |
| LED Forward Voltage: | 1.9 Volts max. at 2mA (for single colours) 2.6 Volts max. at 20mA (for bicolours) |
| LED Reverse Voltage: | 5 Volts min. |
| LED Light Intensity: | 0.4 to 1.5 mcd min. at 2mA (for single colours) 0.5 mcd min. at 2mA (for bicolours) |
| LED Wave Length: | Yellow: 587 ± 7 nm measured at 20mA Green: 565 ± 6 nm measured at 20mA Red: 625 ± 5 nm measured at 20mA |

ORDERING INFORMATION

RJE59 - 1 8 8 - X X X X X

Number of Ports

1 - 1 Port

Number of Positions

8 - 8 Positions

Number of Contacts

8 - 8 Contacts

Shield Options

- 3 - Full shield with top tabs
- 5 - Full shield with top and side tabs
- 6 - Full shield without tabs

Packaging

- Blank - Tray
- T - Tape & Reel

Modifier

- 1 - Standard with boardlocks
- 2 - Without boardlocks

LED Options

Contact Plating

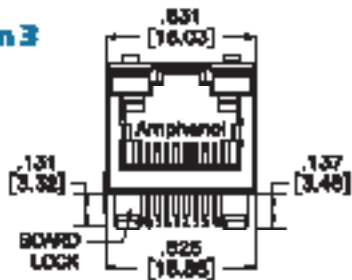
- 1 - 6µ" gold plating
- 2 - 15µ" gold plating
- 3 - 30µ" gold plating
- 4 - 50µ" gold plating

Didn't find what you were looking for?

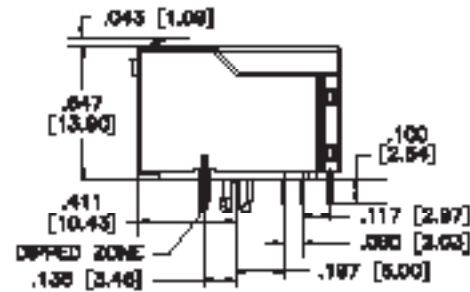
Please contact sales@amphenolcanada.com and let us know what you need.

Single Port Shielded - Option 3

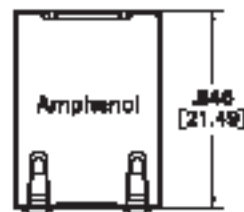
RJE59-1 8B-3XX1



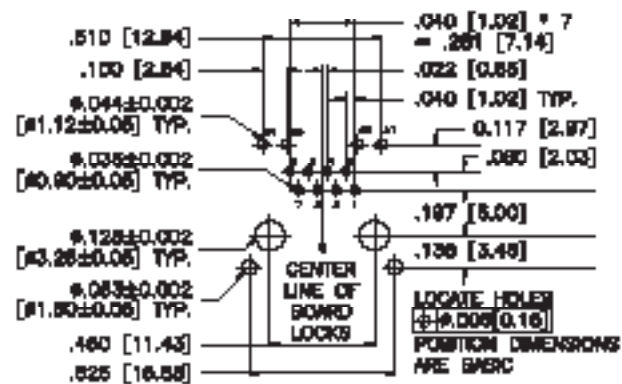
FRONT VIEW



SIDE VIEW



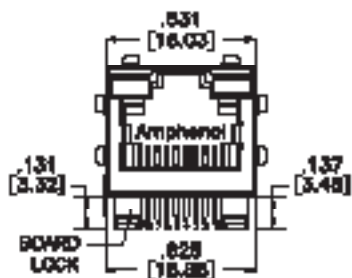
TOP VIEW



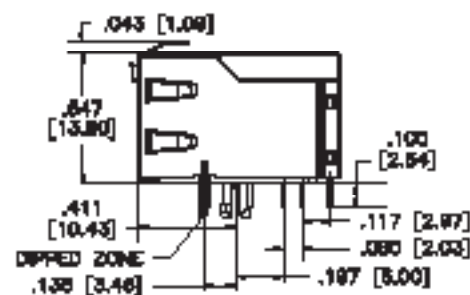
RECOMMENDED PCB LAYOUT

Shielded - Option 5

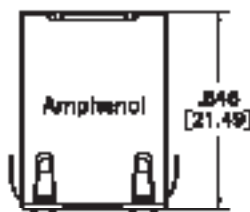
RJE59-1 8B-5XX1



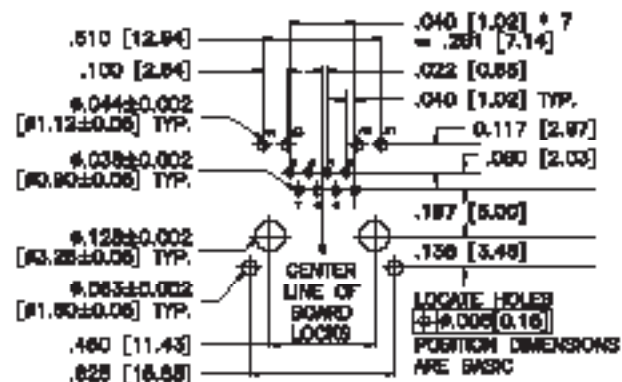
FRONT VIEW



SIDE VIEW



TOP VIEW



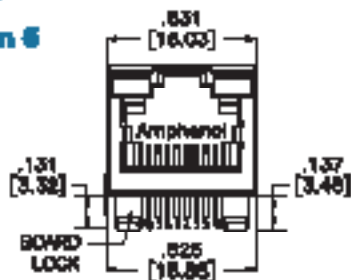
RECOMMENDED PCB LAYOUT

RJE59

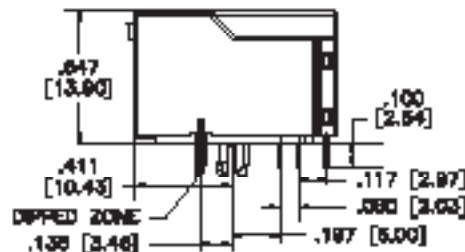
CAT 6, RIGHT ANGLE, STANDARD PROFILE, WITH LEDS

Single Port Shielded - Option 6

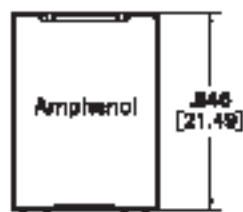
RJE59-188-6XX1



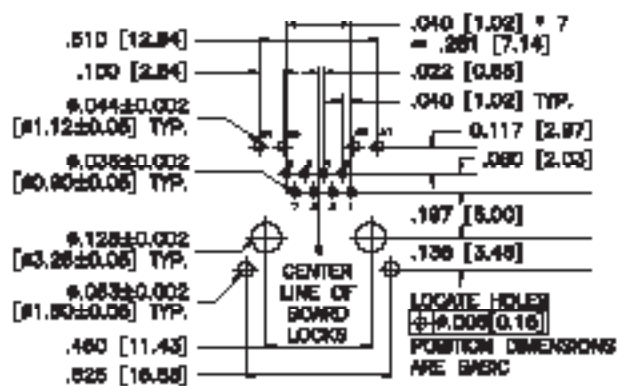
FRONT VIEW



SIDE VIEW



TOP VIEW



RECOMMENDED PCB LAYOUT

Notes

RIGHT ANGLED, RECESSED, LOW PROFILE, WITH LEDs

The RJE71 series of modular jacks meet CAT 6 performance per EIA-568-C.2. It supports Gigabit Ethernet Protocols. Shielding available for increased EMI performance and LEDs for link activity and network speed verification.



SPECIFICATIONS

Material

| | |
|-------------------|--|
| Insulator: | High temp. thermoplastic; Complies with UL 94V-0; Black |
| Contacts: | Phosphor bronze hard temper with gold thickness options (6µ", 15µ", 30µ", 50µ") over 50µ" min. nickel on contact mating area; 100µ" min. matte tin plating on solder tails |
| Shield: | Stainless steel with tin dipped tails |
| LED: | Tin plating on LED tail |

Mechanical

| | |
|---|--|
| Insertion Force: | 5 lbs max. |
| Pull Retention Force: | 20 lbs min. |
| Durability: | 750 mating & unmating cycles |
| Recommended Soldering Temperature: | Wave soldering peaked at 260°C for 5 secs max. |
| Operating Temperature: | -55°C to + 85°C |
| UL File: | E135615 |

*Note: IR Reflow compatible version also available; Consult factory for details

Electrical

| | |
|--------------------------------|---|
| Contact Resistance | 20 mΩ max. |
| Insulation resistance: | 500 MΩ min. at 500V DC for 2 mins max. |
| Current Rating: | 1.25 Amps per contact |
| Voltage Rating: | 125 Volts AC |
| DWV: | 1000 VAC, 60 Hz. 1 min. |
| LED Forward DC Current: | 20mA typical |
| LED Forward Voltage: | 1.9 Volts max. at 2mA (for single colours) 2.6 Volts max. at 20mA (for bicolours) |
| LED Reverse Voltage: | 5 Volts min. |
| LED Light Intensity: | 0.4 to 1.5 mcd min. at 2mA (for single colours) 0.5 mcd min. at 2mA (for bicolours) |
| LED Wave Length: | Yellow: 587 ± 7 nm measured at 20mA Green: 565 ± 6 nm measured at 20mA Red: 625 ± 5 nm measured at 20mA |

ORDERING INFORMATION

RJE71 - X 8 8 - 1 X X X - X

Number of Ports

- 1 - 1 Port
- 4 - 4 Ports

Number of Positions

- 8 - 8 Positions

Number of Contacts

- 8 - 8 Contacts

Shield Options

- 1 - Full shield with top and side tabs

Packaging

- Blank - Tray
- T - Tape & Reel

Modifier

- 1 - 0.125" (3.18mm)
- 2 - 0.089" (2.27mm)
- 3 - 0.085" (2.16mm)

LED Options

Contact Plating

- 1 - 6µ" gold plating
- 2 - 15µ" gold plating
- 3 - 30µ" gold plating
- 4 - 50µ" gold plating

Didn't find what you were looking for?

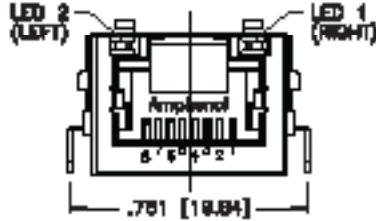
Please contact sales@amphenolcanada.com and let us know what you need.

RJE71

CAT 5e, RIGHT ANGLE, RECESSED, LOW PROFILE, WITH LEDS

Single Port Shielded

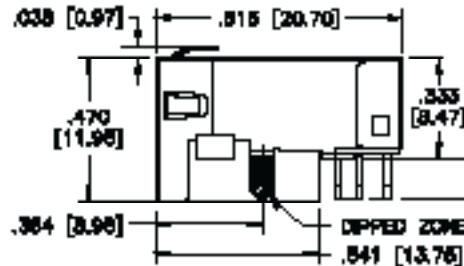
RJE71-188-1XXX



FRONT VIEW



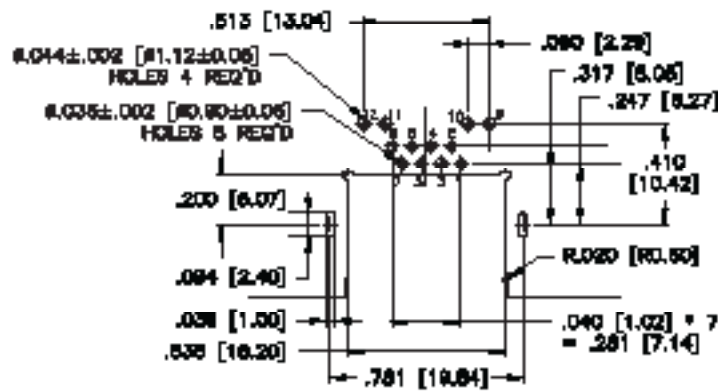
TOP VIEW



SIDE VIEW

DIM A ±0.20 [DIM A ±.008]
TAIL LENGTH FOR
LED AND SIGNAL PIN

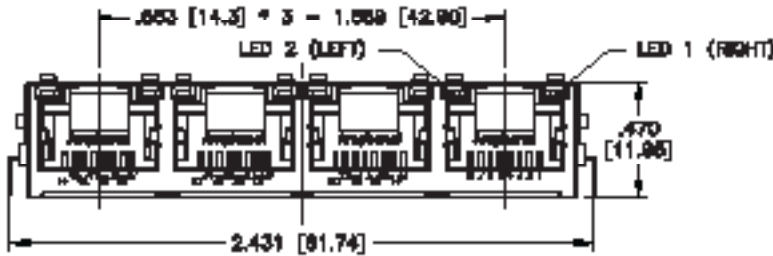
| Port Number | DIM A |
|----------------|--------------|
| RJE71-188-1XX1 | 0.125 [3.18] |
| RJE71-188-1XX2 | 0.089 [2.27] |
| RJE71-188-1XX3 | 0.085 [2.16] |



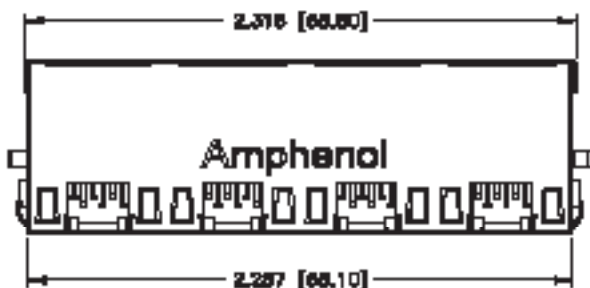
RECOMMENDED PCB LAYOUT

Multi Port Shielded

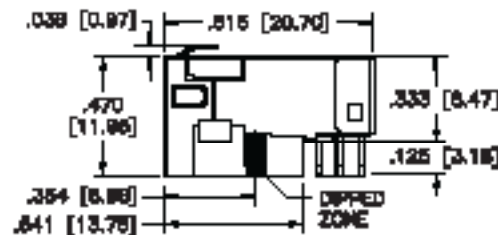
RJE71-488-1XX1



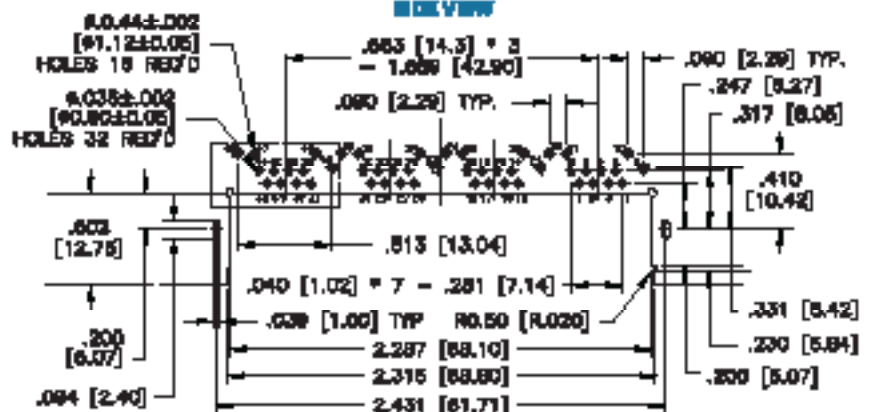
FRONT VIEW



TOP VIEW



SIDE VIEW



RECOMMENDED PCB LAYOUT

RIGHT ANGLED, STANDARD PROFILE, WITH LEDs

The RJE60 series of modular jacks meet CAT 6A performance per EIA-568-C.2. It supports Gigabit Ethernet Protocols. Shielding is available for increased EMI performance and LEDs for link activity and network speed verification.



SPECIFICATIONS

Material

| | |
|-------------------|--|
| Insulator: | High temp. thermoplastic; Complies with UL 94V-0; Black |
| Contacts: | Phosphor bronze hard temper with gold thickness options (6µ", 15µ", 30µ", 50µ") over 50µ" min. nickel on contact mating area; 100µ" min. matte tin plating on solder tails |
| Shield: | Stainless steel with tin dipped tails |
| LED: | Tin plating on LED tail |

Mechanical

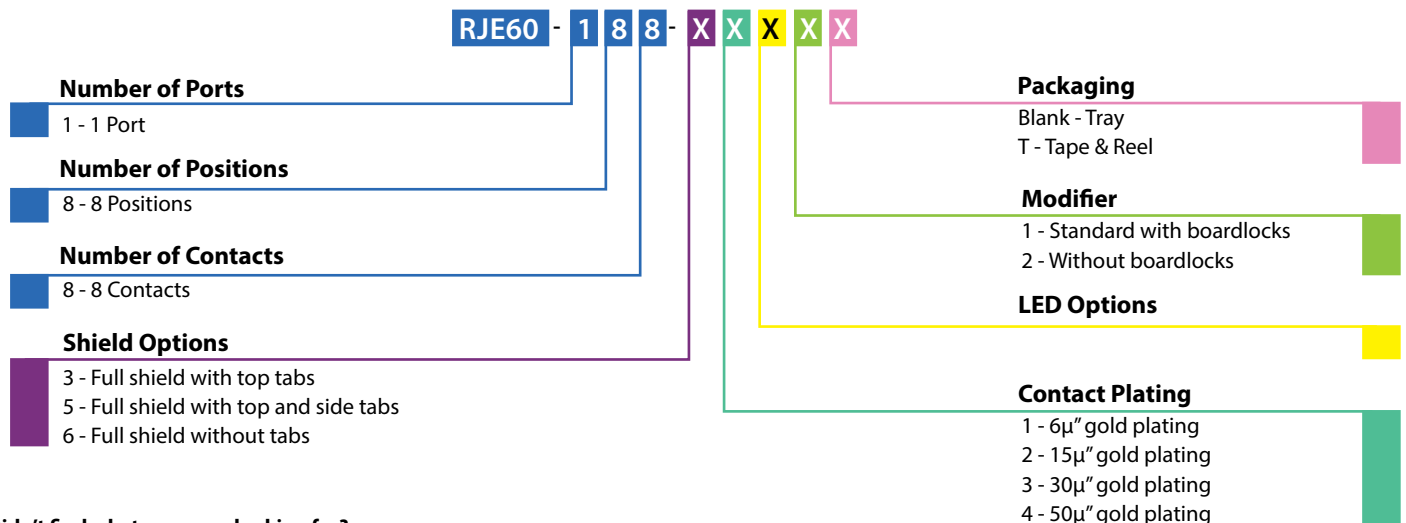
| | |
|---|--|
| Insertion Force: | 5 lbs max. |
| Pull Retention Force: | 20 lbs min. |
| Durability: | 750 mating & unmating cycles |
| Recommended Soldering Temperature: | Wave soldering peaked at 260°C for 10 secs max. for one cycle with an LED defect rate of no more than 100ppm |
| Operating Temperature: | -55°C to + 85°C |

**Note: Multiple exposure not recommended; IR Reflow compatible version also available; Consult factory for details*

Electrical

| | |
|--------------------------------|---|
| Contact Resistance | 20 mΩ max. |
| Insulation resistance: | 500 MΩ min. at 500V DC for 2 mins max. |
| Current Rating: | 1.25 Amps per contact |
| Voltage Rating: | 125 Volts AC |
| DWV: | 1000 VAC, 60 Hz. 1 min. |
| LED Forward DC Current: | 20mA typical |
| LED Forward Voltage: | 1.9 Volts max. at 2mA (for single colours) 2.6 Volts max. at 20mA (for bicolours) |
| LED Reverse Voltage: | 5 Volts min. |
| LED Light Intensity: | 0.4 to 1.5 mcd min. at 2mA (for single colours) 0.5 mcd min. at 2mA (for bicolours) |
| LED Wave Length: | Yellow: 587 ± 7 nm measured at 20mA Green: 565 ± 6 nm measured at 20mA Red: 625 ± 5 nm measured at 20mA |

ORDERING INFORMATION



Didn't find what you were looking for?

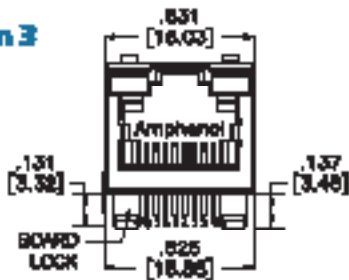
Please contact sales@amphenolcanada.com and let us know what you need.

RJE60

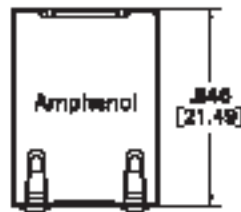
CAT 6A, RIGHT ANGLE, STANDARD PROFILE, WITH LEDS

Single Port Shielded - Option 3

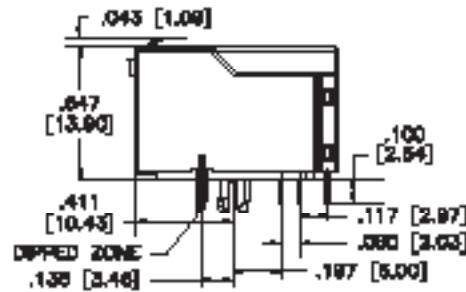
RJE60-1 8B-3XX1



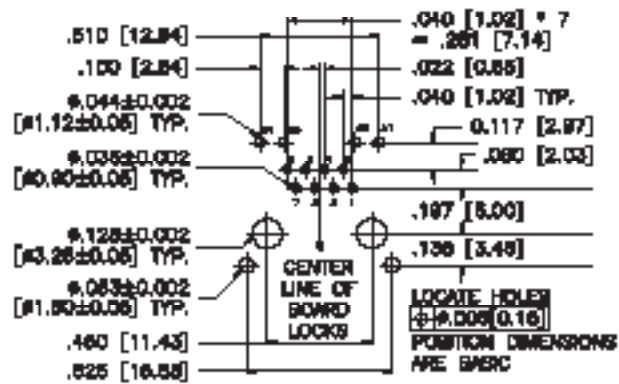
FRONT VIEW



TOP VIEW



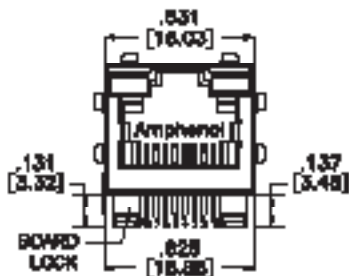
SIDE VIEW



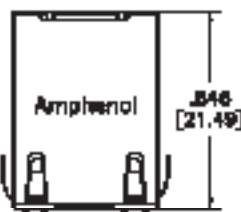
RECOMMENDED PCB LAYOUT

Shielded - Option 5

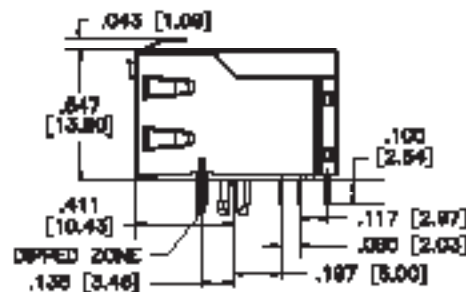
RJE60-1 8B-5XX1



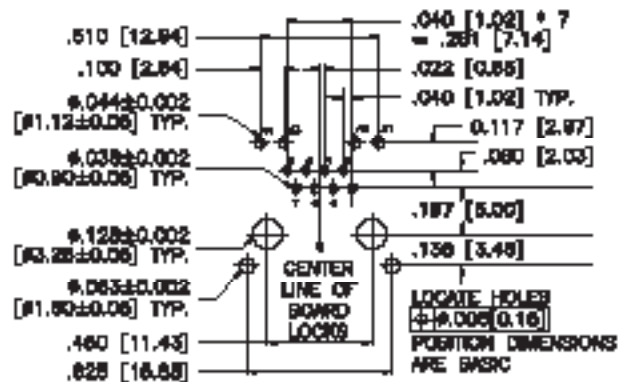
FRONT VIEW



TOP VIEW



SIDE VIEW



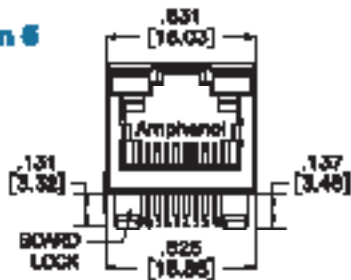
RECOMMENDED PCB LAYOUT

RJE60

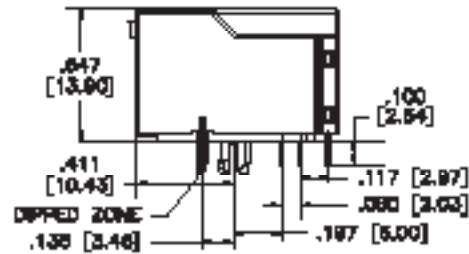
CAT 6A, RIGHT ANGLE, STANDARD PROFILE, WITH LEDS

Single Port Shielded - Option 6

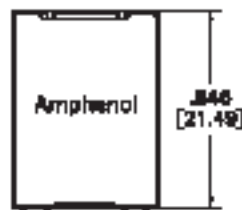
RJE60-1.58-6XX1



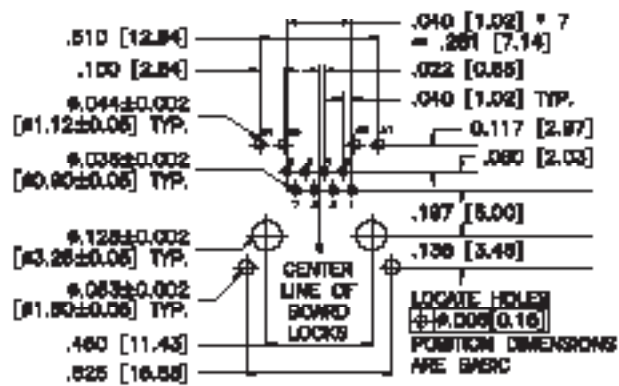
FRONT VIEW



SIDE VIEW



TOP VIEW



RECOMMENDED FOR LAYOUT

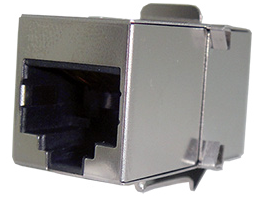
Note:

RJE17

RJ45 COUPLER

RJ45 COUPLER

The RJE17 coupler provides connections through barriers such as equipment covers and panels. They are locked into place with a panel latch for secure mounting. Available in CAT 3 and CAT 5e performance. The added shielding provides optional EMI protection.



SPECIFICATIONS

Material

| | |
|-------------------|---|
| Insulator: | Engineering thermoplastic; Complies with UL 94V-0; Black |
| Contacts: | Phosphor bronze hard temper with several gold thickness options over 50µ" min. nickel on contact mating area (refer to drawing below) |
| Shield: | Stainless steel with tin dipped tails |

Electrical

| | |
|-------------------------------|--|
| Contact Resistance | 20 mΩ max. |
| Insulation resistance: | 500 MΩ min. at 500V DC for 2 mins max. |
| Current Rating: | 1.25 Amps per contact |
| Voltage Rating: | 125 Volts AC |
| DWV: | 1000 VAC, 60 Hz. 1 min. |

Mechanical

| | |
|-------------------------------|------------------------------|
| Insertion Force: | 5 lbs max. |
| Pull Retention Force: | 20 lbs min. |
| Durability: | 750 mating & unmating cycles |
| Operating Temperature: | -40°C to + 70°C |
| Operating Temperature: | -40°C to + 85°C |

ORDERING INFORMATION

RJE17 - 2 8 8 - X X X X

Number of Ports

2 - 2 Port

Number of Positions

8 - 8 Positions

Number of Contacts

8 - 8 Contacts

Shield Options

- 0 - No shield
- 1 - Full shield

Modifier

- 1 - CAT 3, matte tin plating on internal tail
- 3 - Cat 5e, matte tin plating on internal tail

Port Options

- 1 - Both ports are tab down
- 2 - One port is tab up, other is tab down

Contact Plating

- 2 - 15µ" gold plating
- 3 - 30µ" gold plating
- 4 - 50µ" gold plating

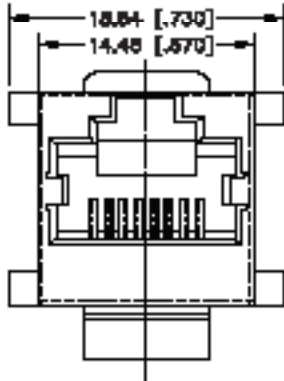
Didn't find what you were looking for?

Please contact sales@amphenolcanada.com and let us know what you need.

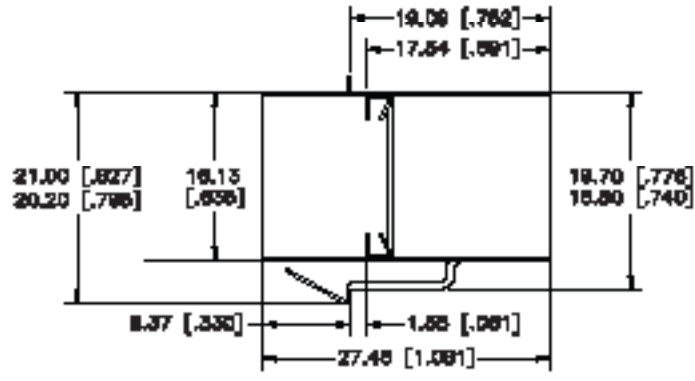
Single Port

Shielded

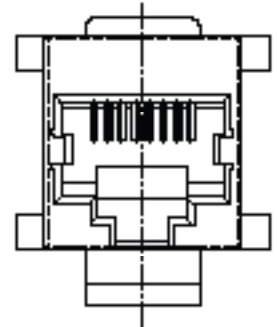
RJE17-288-1X21



FRONT VIEW



SIDE VIEW

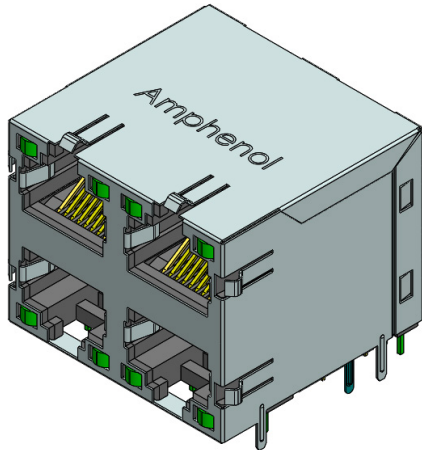


REAR VIEW

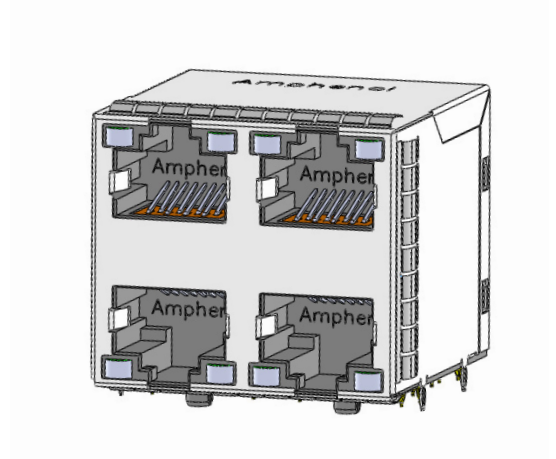
Notes

STACKED

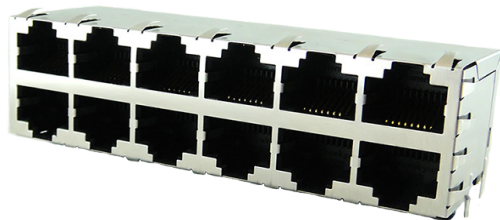
RJSDE



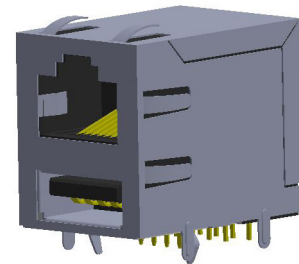
RJSGE



RJSFE



RJE36
(RJ over USB)



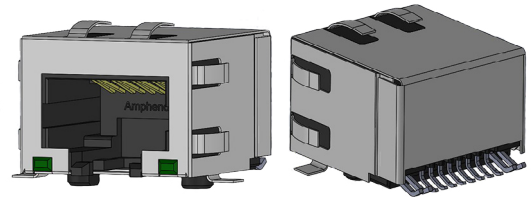
HIGH PERFORMANCE

CAT 5e

RJE1A



RJE2A



CAT 6

RJE1B



CAT 6A

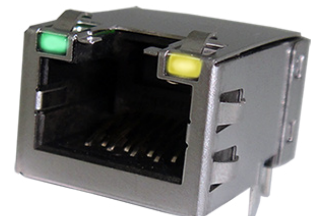
RJE7B



RJE1C



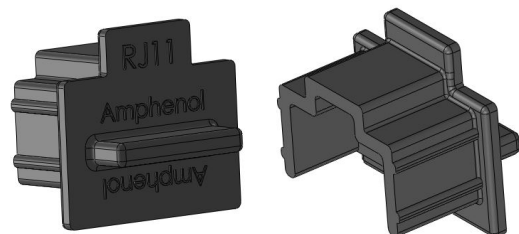
RJE50



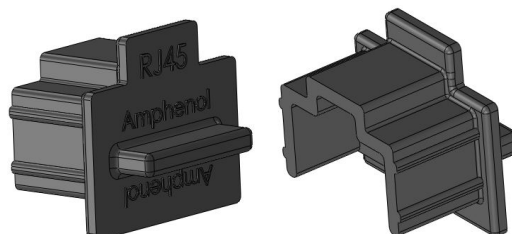
DUST COVERS & OTHERS

Dust Covers

FRJ-2611

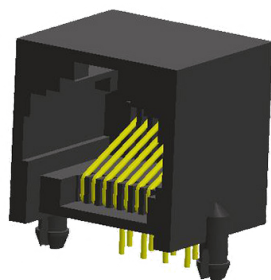


FRJ-2411



Other

RJE29



RJE1L



NOTES

Amphenol

Now You're Connected!

605 Milner Avenue
Toronto, Ontario
Canada, M1B 5X6

www.amphenolcanada.com
Telephone: (416) 291-4401
Fax: (416) 754-8668
E-mail: sales@amphenolcanada.com

All specifications are subject to change without notice.