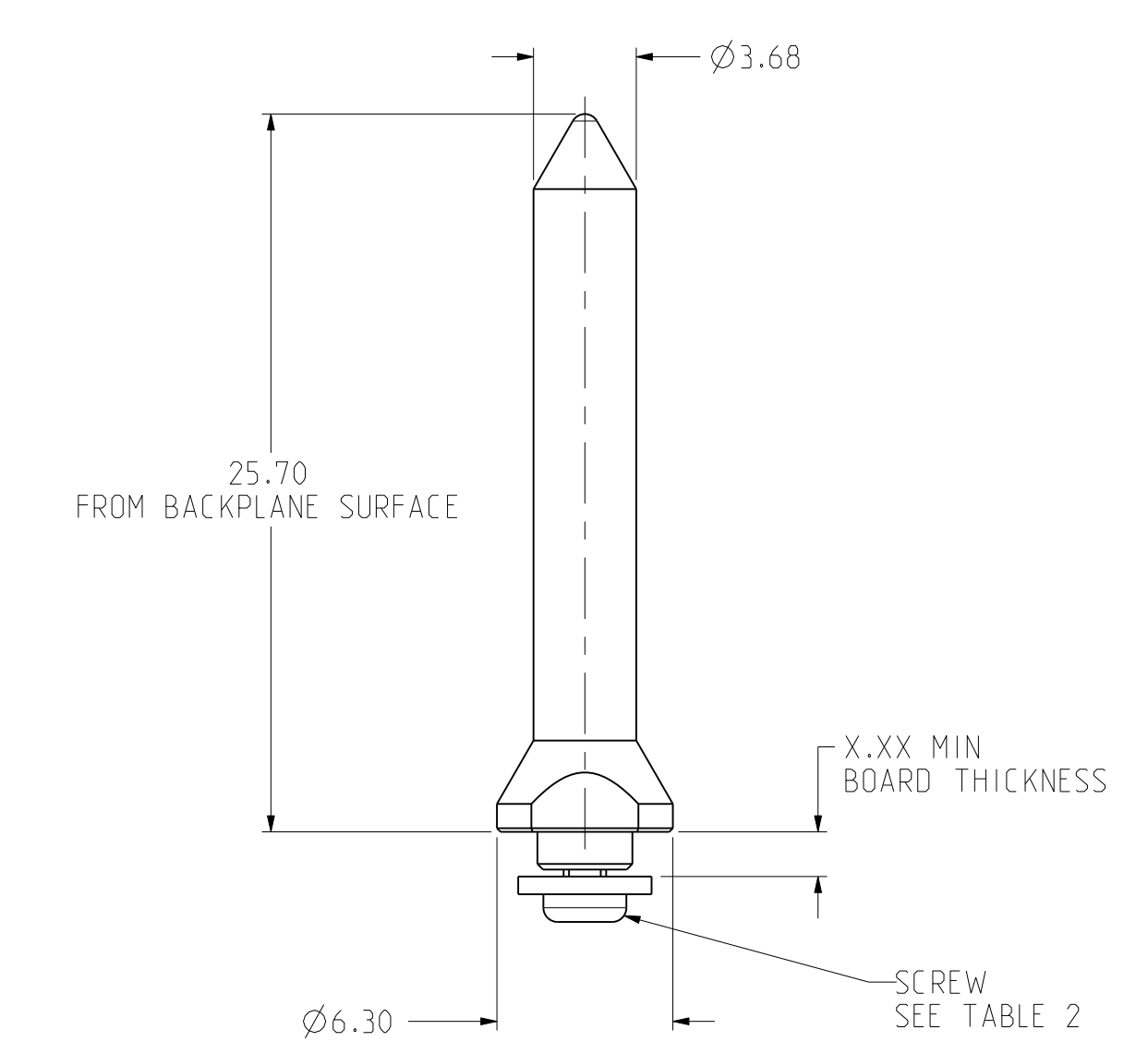
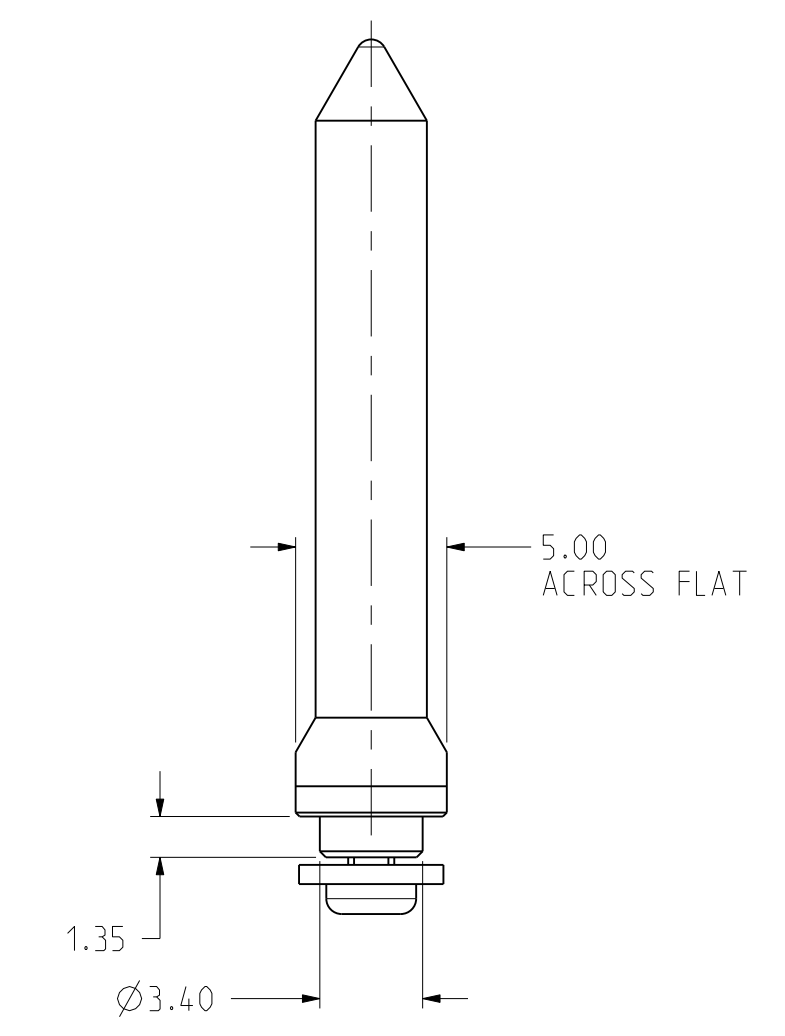
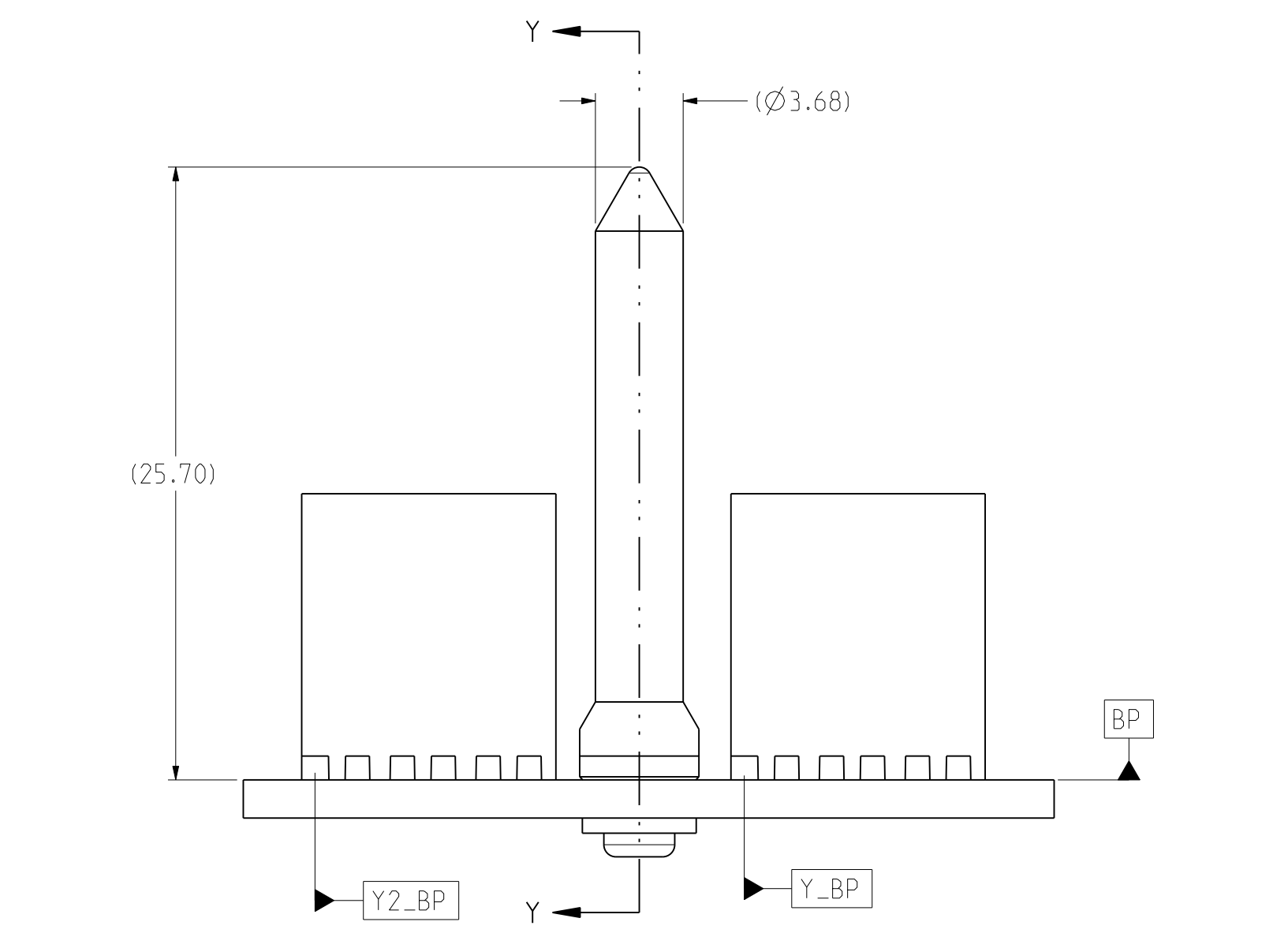
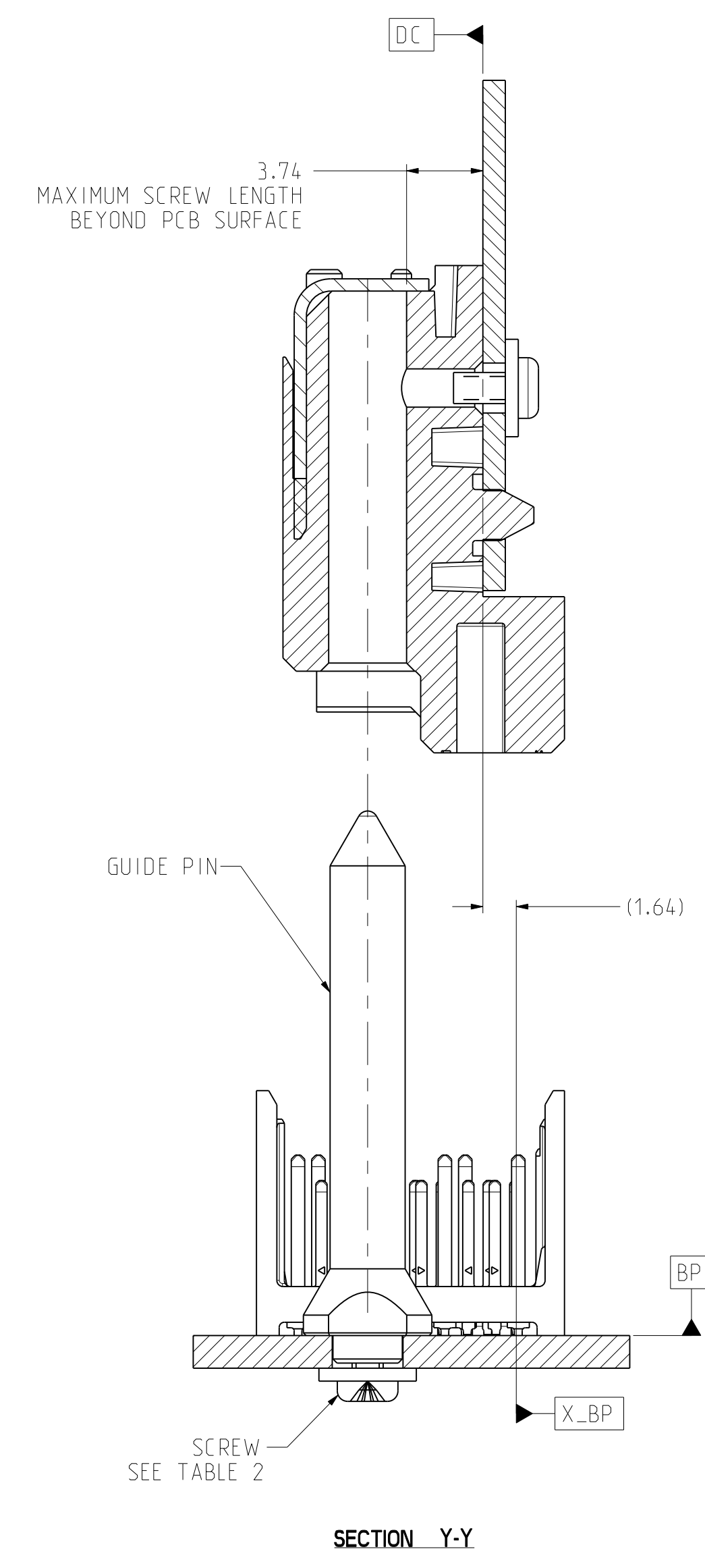
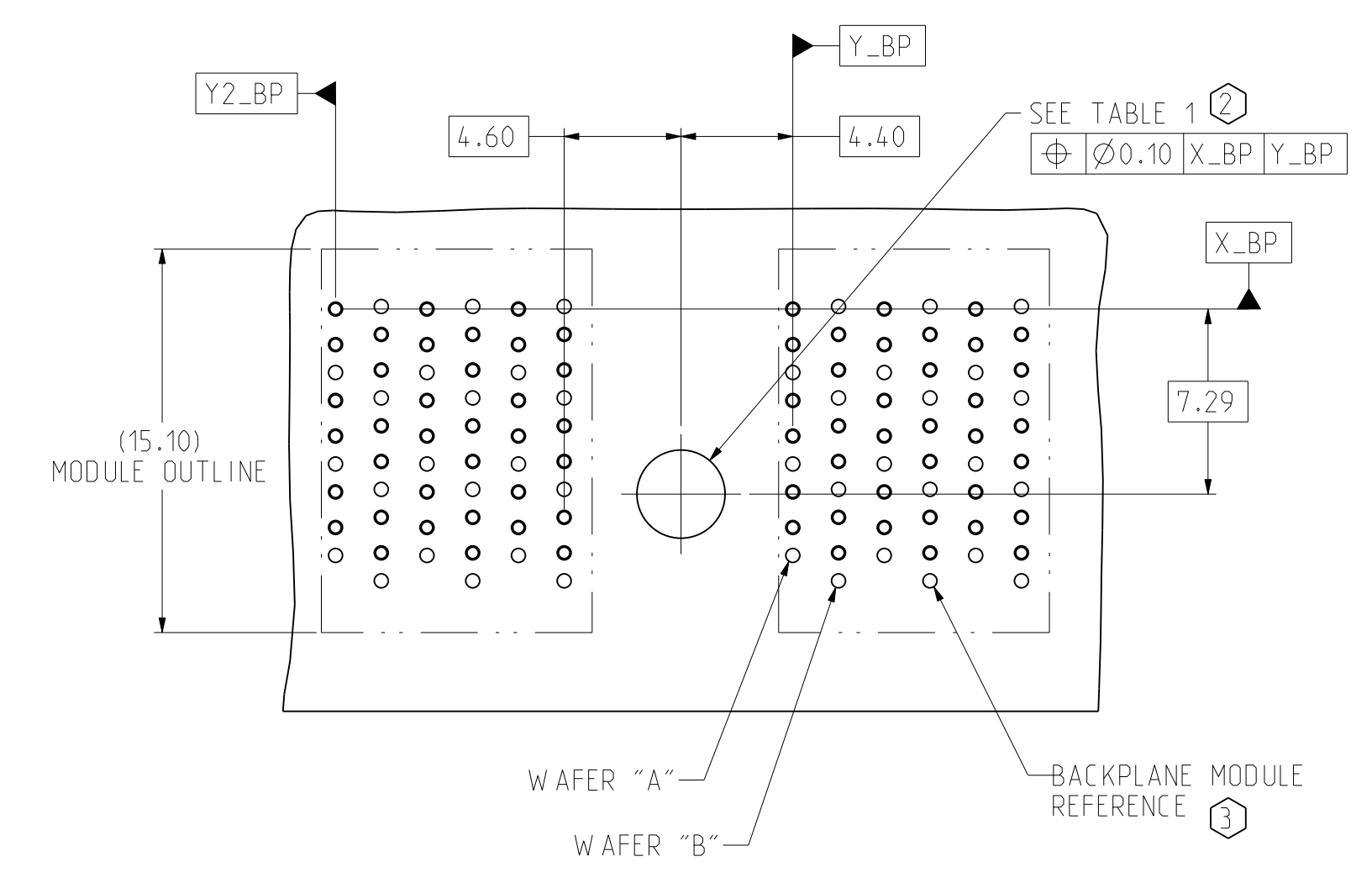


3 PAIR CONFIGURATION Xcede HD

ZONE	REV	SCR NUMBER	DESCRIPTION	BY	DATE	APPROVED
ALL	A	MHAN-9AKH4Y.VER01	NEW RELEASE	HCL-AK	08/20/2013	M.HANRAHAN
SHT1 A5 SHT1 B3	B	BWAG-9WE8HM.VER01	UPDATED TABLE 1 DIM 1.35 AND Ø3.40 ADDED.	HCL-NN	05/14/2015	B.WANG
SHT1 B2	C	BWAG-AZS46S.VER02	ADDED DIAMETER Ø6.30 OF BASE	HCL-RP	09/28/2015	B.WANG
SHT 1 D5 SHT 2	D	MHAN-A4KQ35.VER01	ADDED DIMENSION 2.41. UPDATED NOTE #1 ESD CLIP CHANGED TO PRE-LOAD CONDITION ADDED HD PLUS VIEWS AND DIMENSIONS	HCL-VS	01/25/2016	M.HANRAHAN
SHT 2 C6	E	BWAG-AF587Z.VER01	REDEFINE THE SILK SCREEN IN SHT-2. ADDED 3 PAIR HD2 BMA W/XG CONFIGURATION IN SHT-3 & 3PAIR HD2 BMA W/XG CONFIGURATION IN SHT-4	HCL-PV	11/16/2016	B.WANG

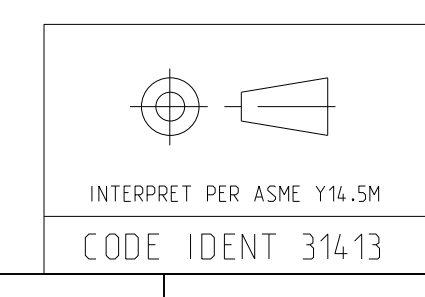


	UNGROUNDED	GROUNDED ²
FHS	Ø3.42 - Ø3.52	Ø3.42 - Ø3.52
PAD	N/A	Ø6.5
PLATED	NO	YES
DRILL (mm)	3.47 mm	3.56 mm
DRILL (in)	0.1366"	0.140"

SCREW P/N	DESCRIPTION	BOARD THICKNESS
577-0014-000	#2-56 X 0.375" LG. PHILIPS PANHEAD W/SQ CONICAL WASHER	1.60 - 5.00 mm
577-0015-000	#2-56 X 0.5" LG. PHILIPS PANHEAD W/SQ CONICAL WASHER	5.00 - 8.00 mm
577-0016-000	#2-56 X 0.625" LG. PHILIPS PANHEAD W/SQ CONICAL WASHER	8.00 - 10.00 mm

TOLERANCES	DESIGN 05/26/2010 T.D.O	Amphenol TCS A Division of Amphenol Corporation 200 Innovative Way, Nashua, NH 03082 603.879.3000
0.0 ±0.25	DRAWN 07/15/2010 T.D.O	
0.00 ±0.13	CHK 07/15/2010 T.D.O	
0.000 ± -	APVD 07/15/2010 T.D.O	
ANGLES ± 3°		TITLE STANDALONE GUIDE PIN Ø3.68mm Xcede HD & HD PLUS 3 PAIR BACKPLANE PART NO. 914-3000-00A REV N/A DRAWING NO. C-914-3000-000 REV E ASSEM. C914-3000-000 1.5 DRAWING. C914-3000-000 A.B SIZE D SCALE 4/1 SHEET 1 OF 4

- NOTES:
- REFER TO TB-2235 AND TB-2307 FOR Xcede HD AND HD PLUS PRODUCT SPECIFICATIONS.
 - PLATED THROUGH HOLE TO CONNECT TO CHASSIS FOR GROUNDED GUIDE MODULE OPTION. SEE TB-2237 FOR ROUTING GUIDELINES.
 - REFER TO BP CUSTOMER USE DRAWING FOR ROW AND COLUMN ASSIGNMENTS.



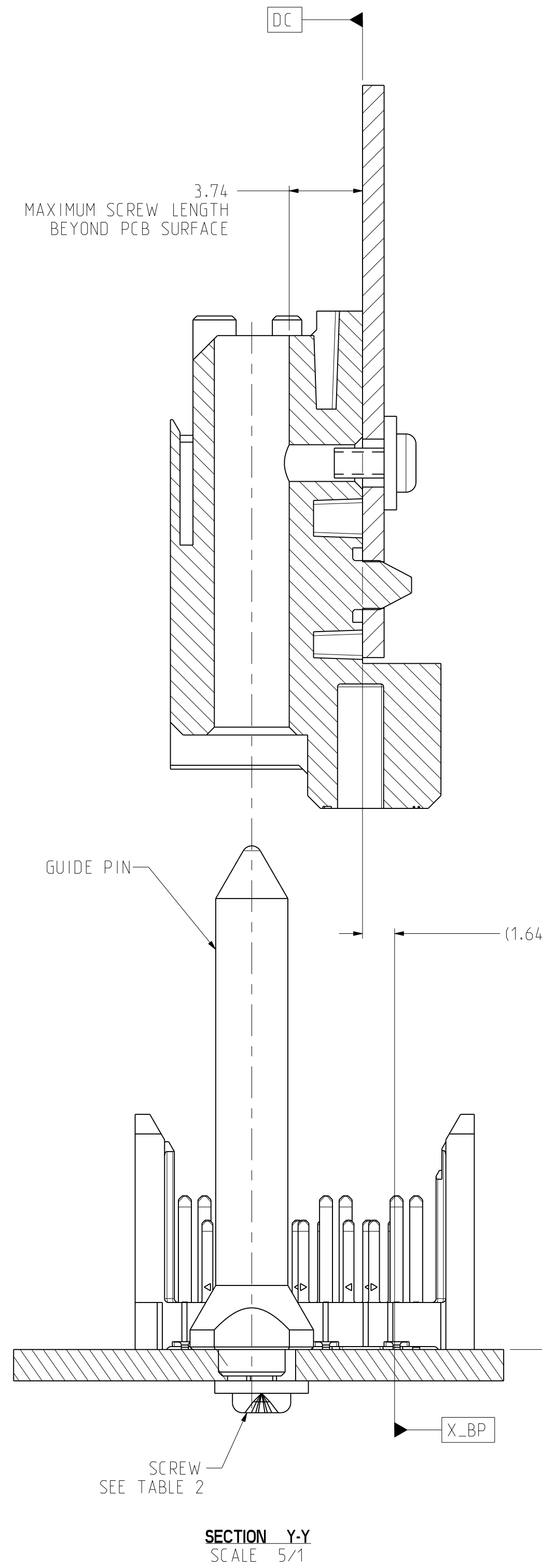
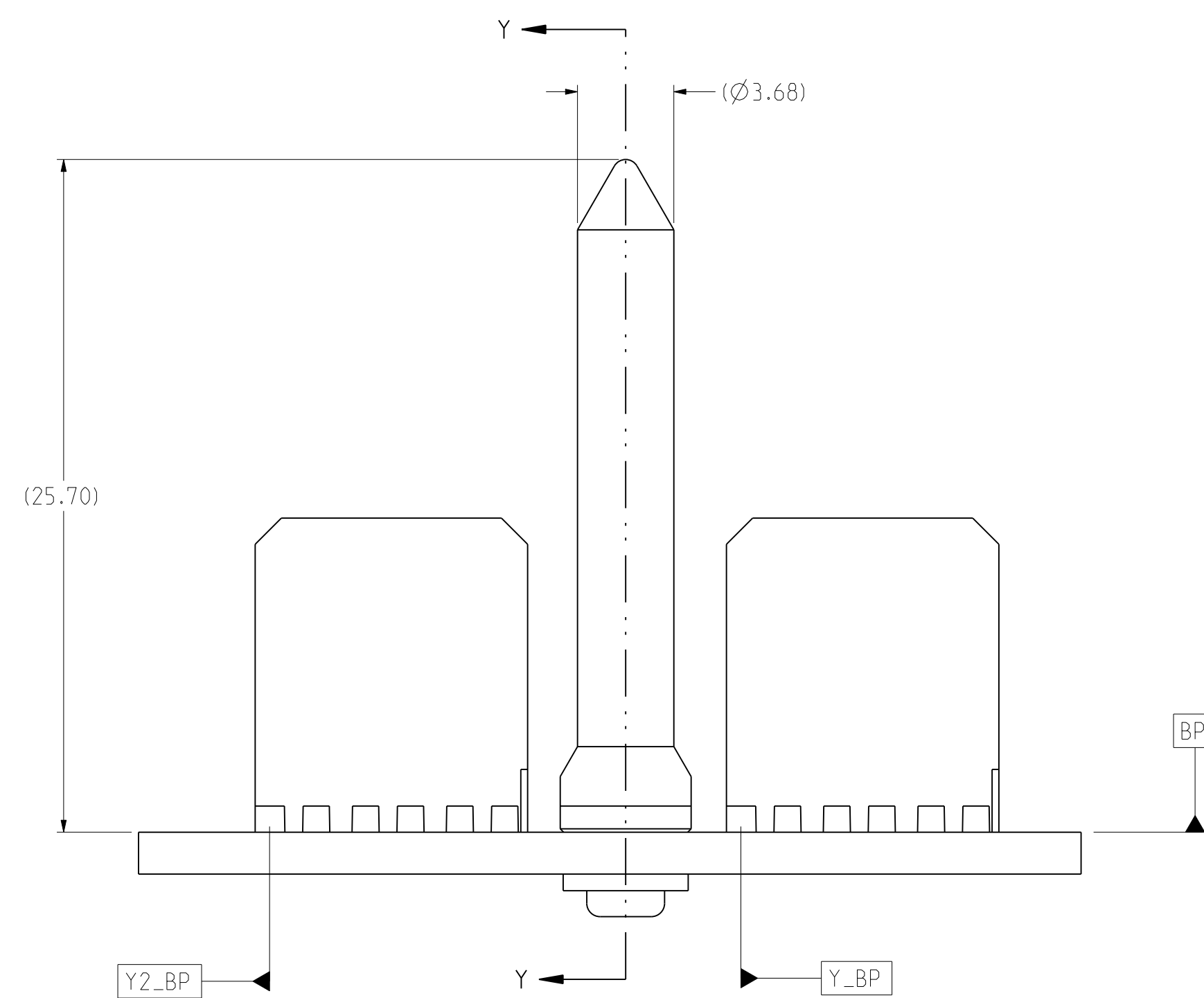
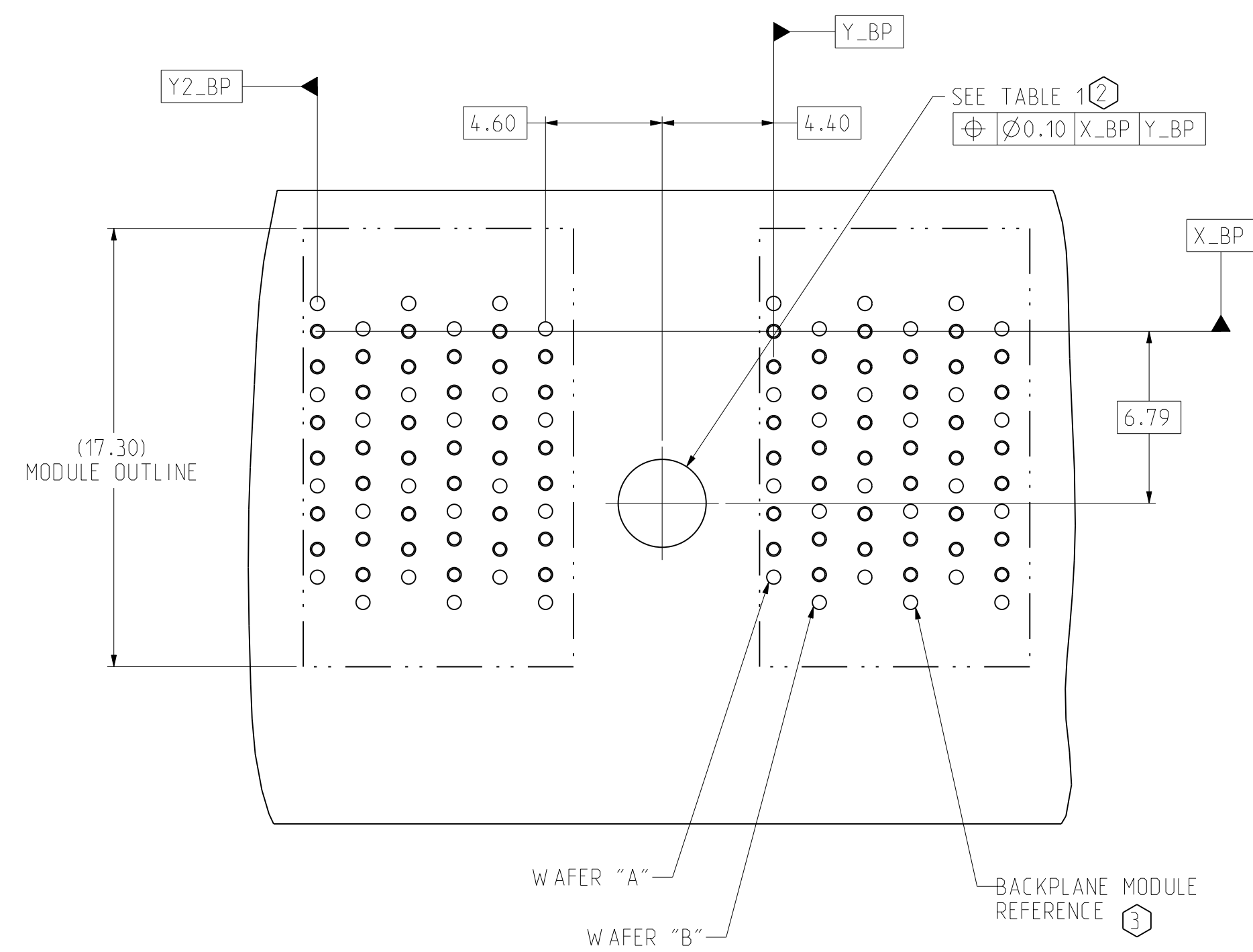
CUSTOMER USE DRAWING

DRW NO. C-914-3000-000

SH 1 REV E

ZONE	REV	SCR NUMBER	DESCRIPTION	BY	DATE	APPROVED
			SEE SHEET 1			

3 PAIR CONFIGURATION XCede HD PLUS WITH EXTRA GROUND



TOLERANCES	DESIGN	05/26/2010	T.DO
0.0	±0.25	DRAWN	07/15/2010
0.00	±0.13	CHK	07/15/2010
0.000	± -	APVD	07/15/2010
ANGLES	± 3°		

Amphenol TCS	
A Division of Amphenol Corporation	
200 Innovative Way, Nashua, NH 03082 603.879.3000	
TITLE	STANDALONE GUIDE PIN Ø3.68mm XCede HD & HD PLUS 3 PAIR BACKPLANE
PART NO.	914-3000-00A
REV	N/A

UNLESS OTHERWISE SPECIFIED DIMENSIONS ARE IN MM. DECIMAL MARKER IS A PERIOD

INTERPRET PER ASME Y14.5M
CODE IDENT 314.13

CUSTOMER USE
DRAWING

DRAWING NO.	C-914-3000-000	REV	E
ASSEM	C914-3000-000	SCALE	4/1
DRAWING	C914-3000-000	SHEET	2 OF 4

8

7

6

5

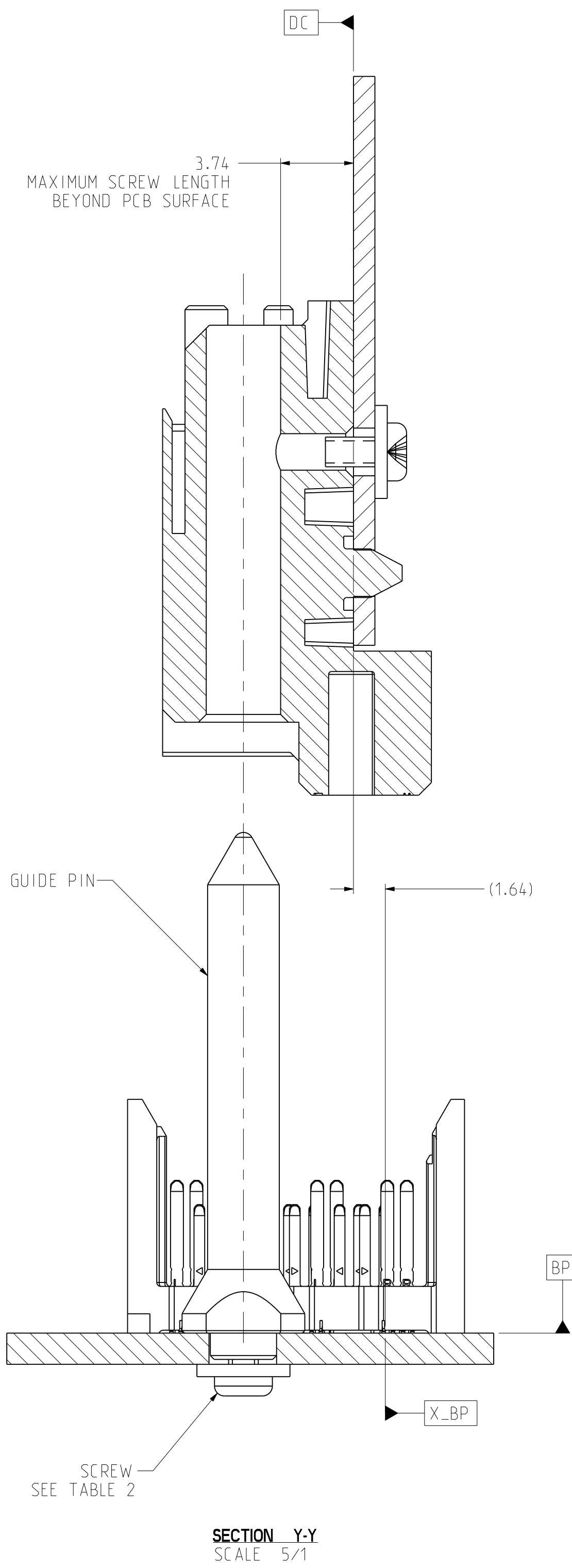
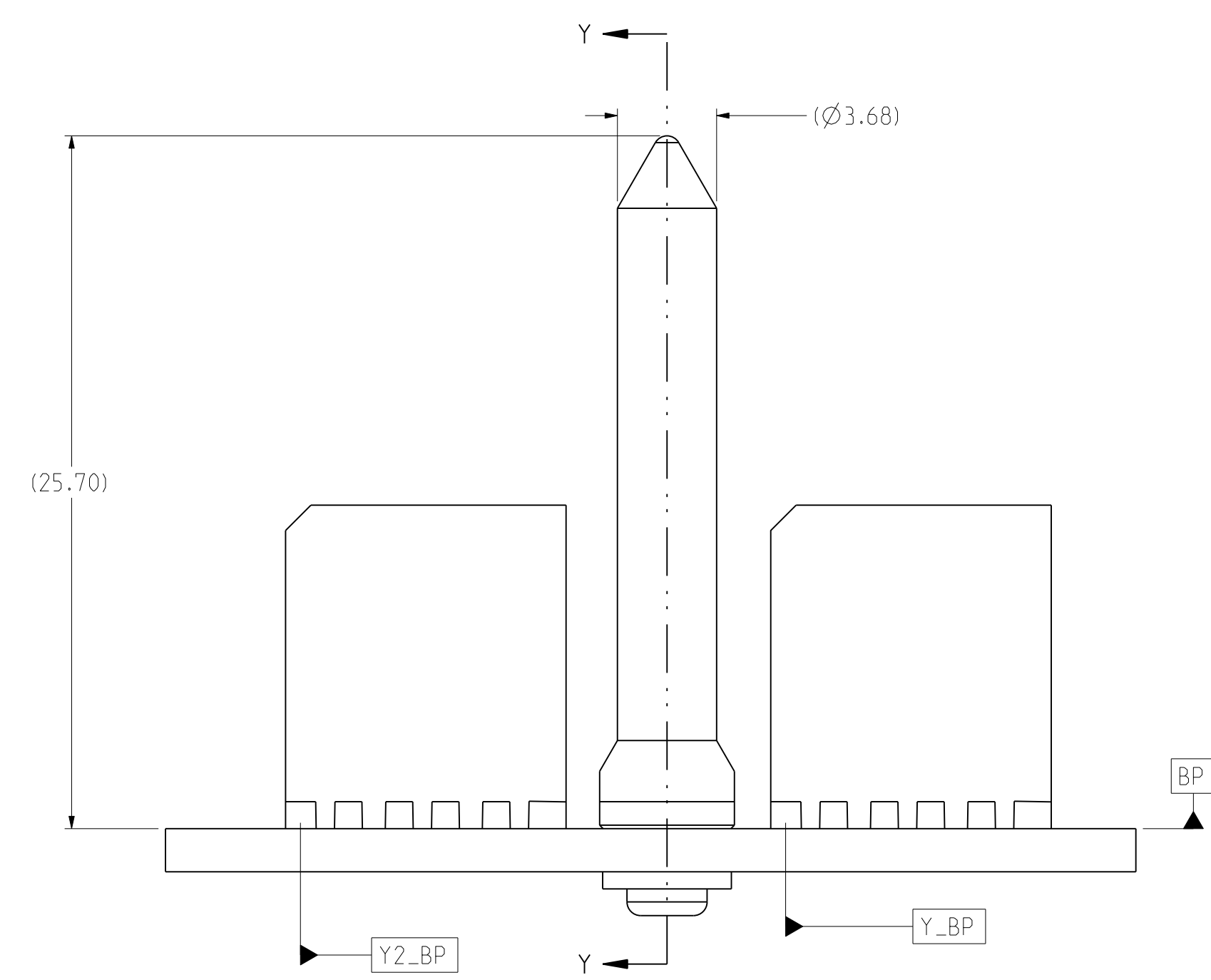
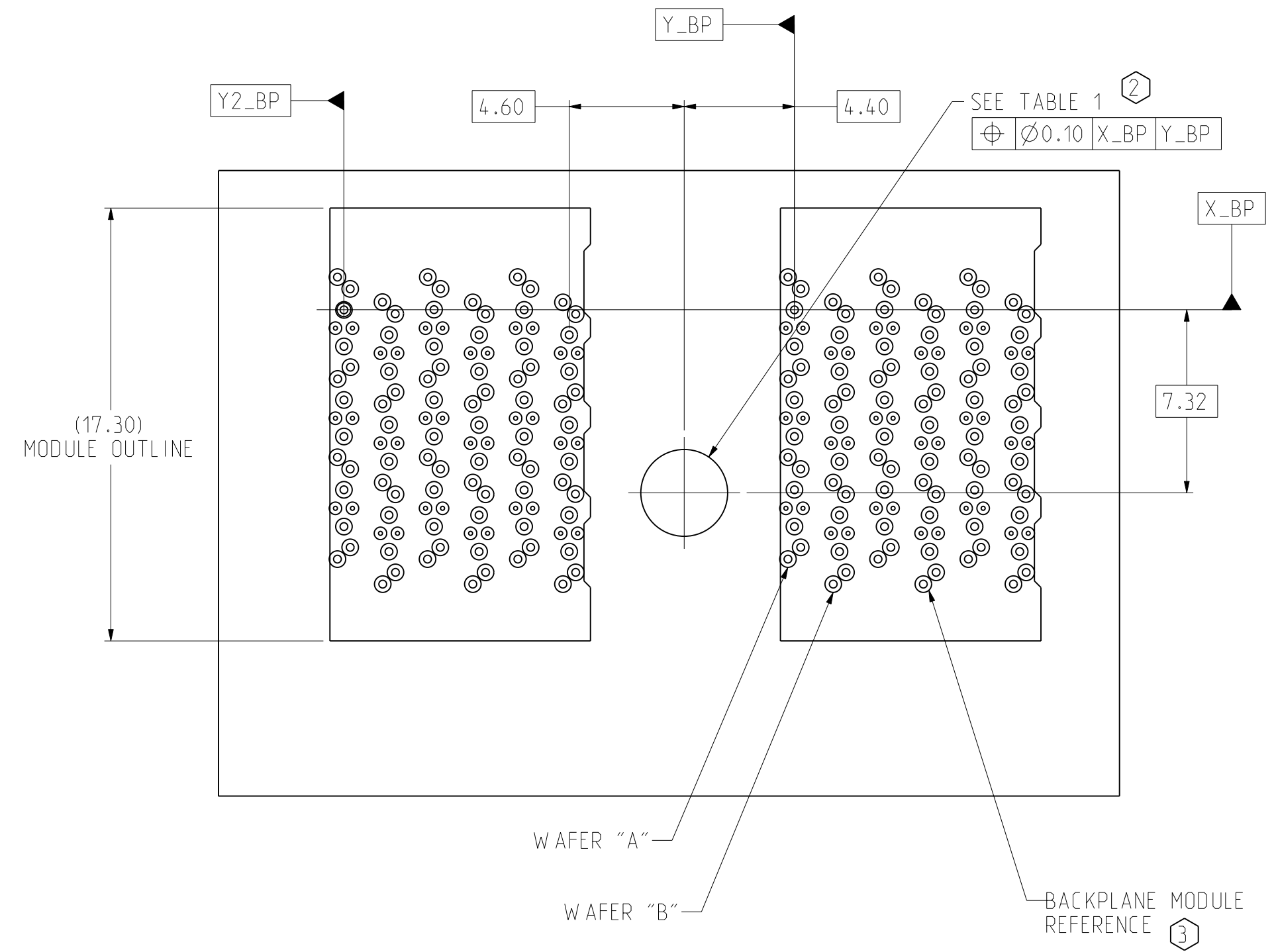
4

3

DRW NO.	C-914-3000-000	SH	3	REV	E
---------	----------------	----	---	-----	---

ZONE	REV	SCR NUMBER	DESCRIPTION	BY	DATE	APPROVED
			SEE SHEET 1			

3 PAIR CONFIGURATION HD2 WITH EXTRA GROUND



SECTION Y-Y
SCALE 5/1

TOLERANCES	DESIGN	05/26/2010
0.0	±0.25	T.DO
0.00	±0.13	T.DO
0.000	± -	T.DO
ANGLES	± 3°	T.DO

Amphenol TCS	
A Division of Amphenol Corporation	
200 Innovative Way, Nashua, NH 03082 603.879.3000	
TITLE	STANDALONE GUIDE PIN Ø3.68mm Xcete HD & HD PLUS 3 PAIR BACKPLANE
PART NO.	914-3000-00A
DRAWING NO.	C-914-3000-000
ASSEM	C914-3000-000
DRAWING	C914-3000-000
SIZE	D
SCALE	4/1
SHEET	3 OF 4

UNLESS OTHERWISE SPECIFIED DIMENSIONS ARE IN MM. DECIMAL MARKER IS A PERIOD

INTERPRET PER ASME Y14.5M
CODE IDENT 314.13

CUSTOMER USE
DRAWING

DRW NO.
C-914-3000-000

SH
3

REV
E

8

7

6

5

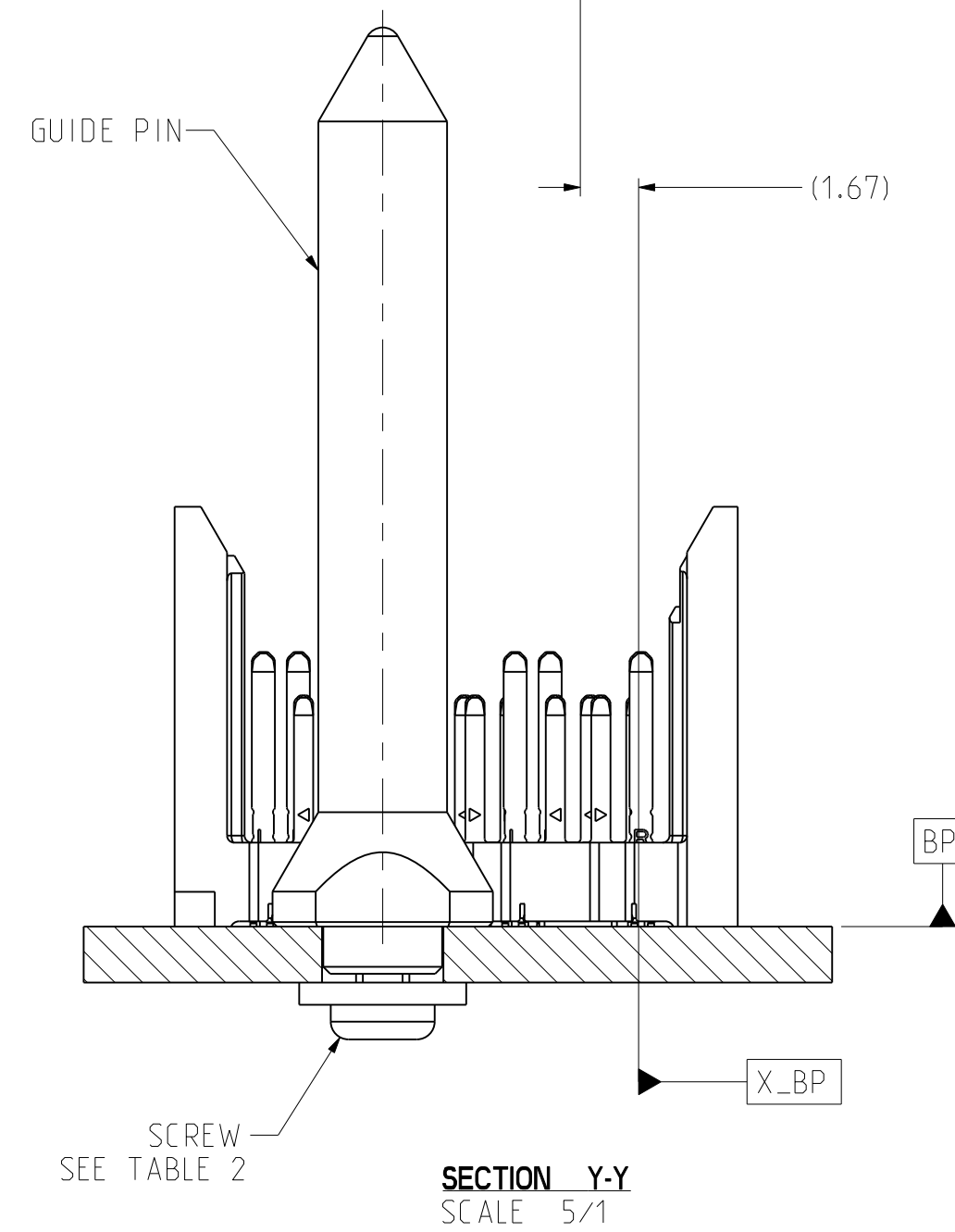
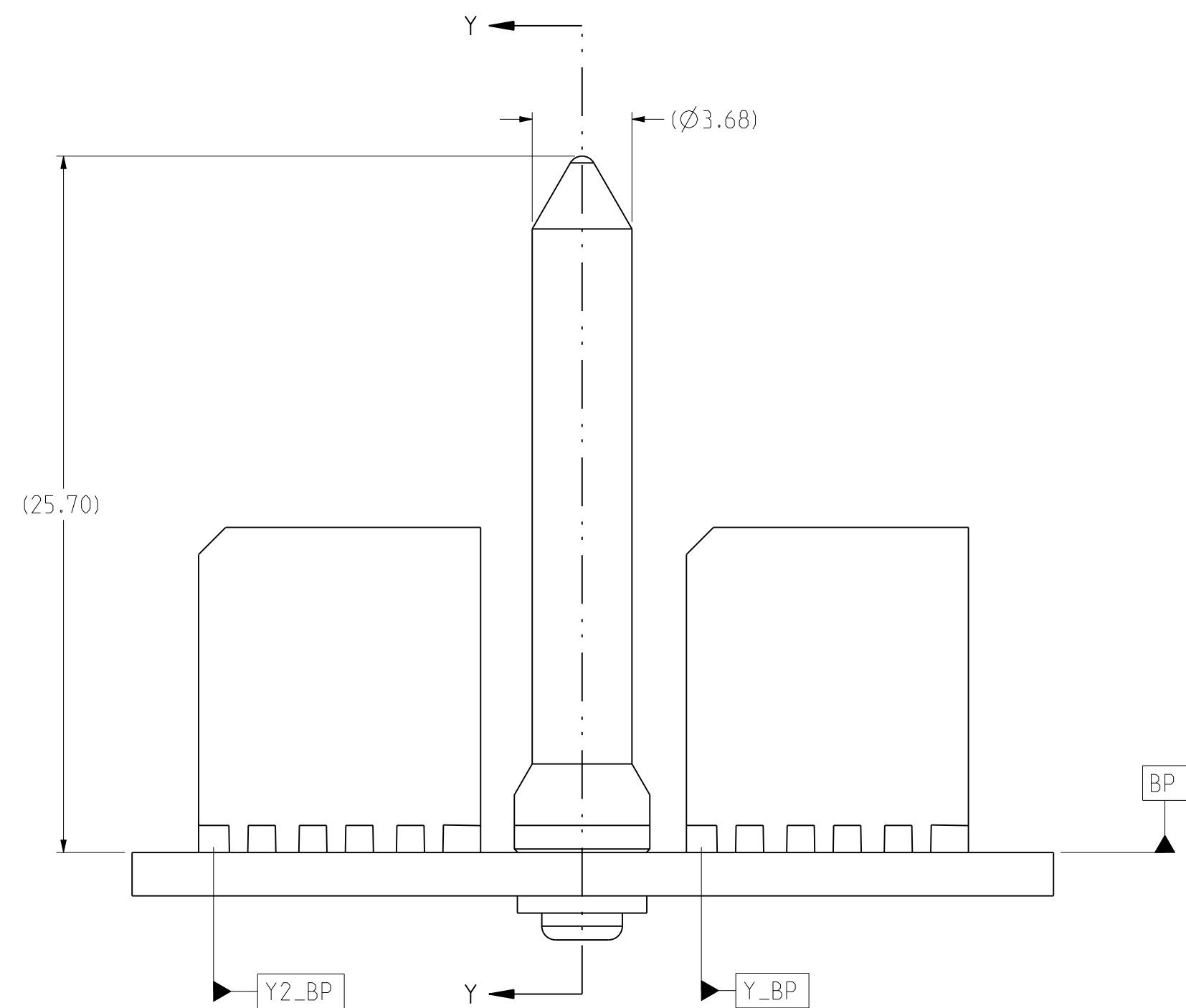
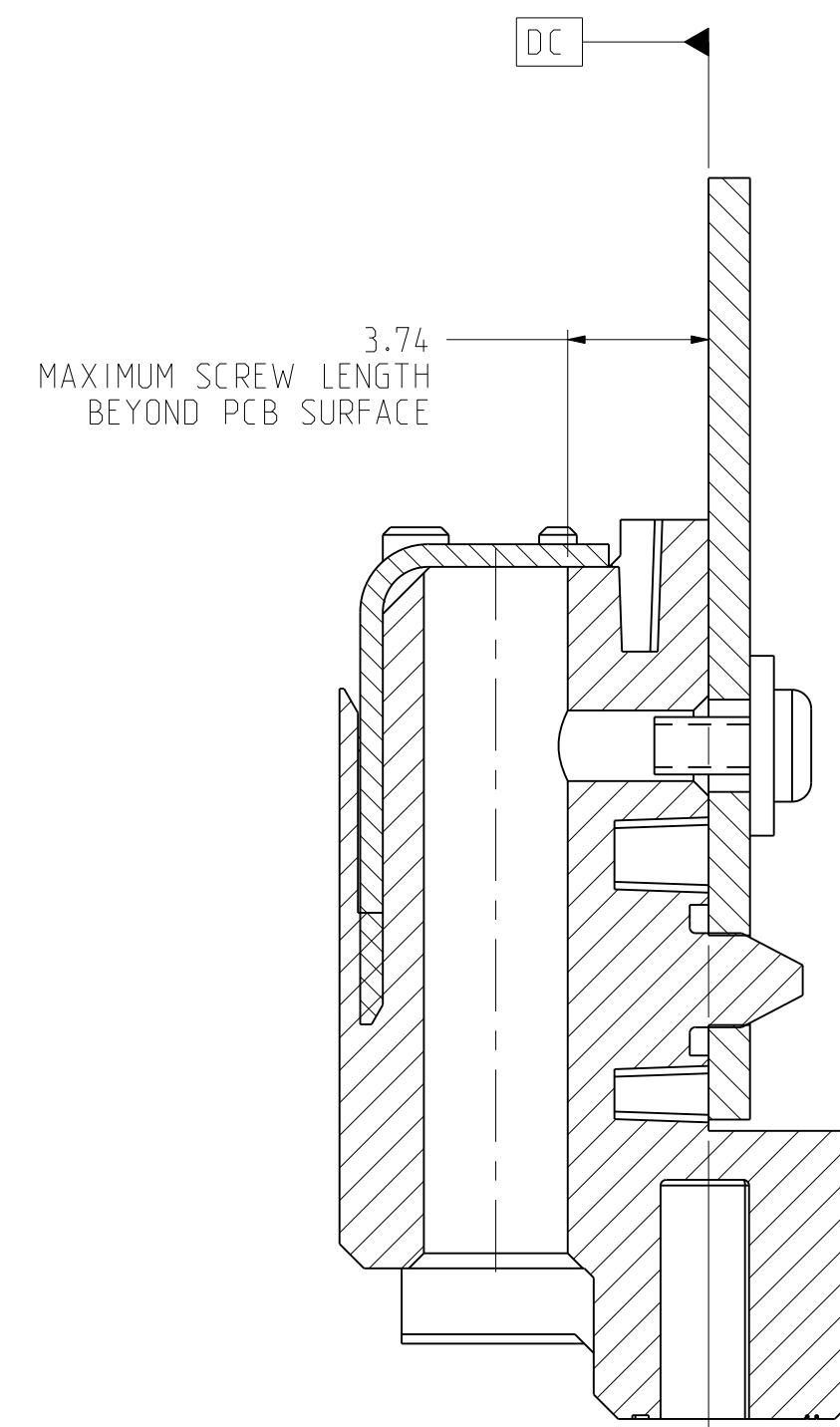
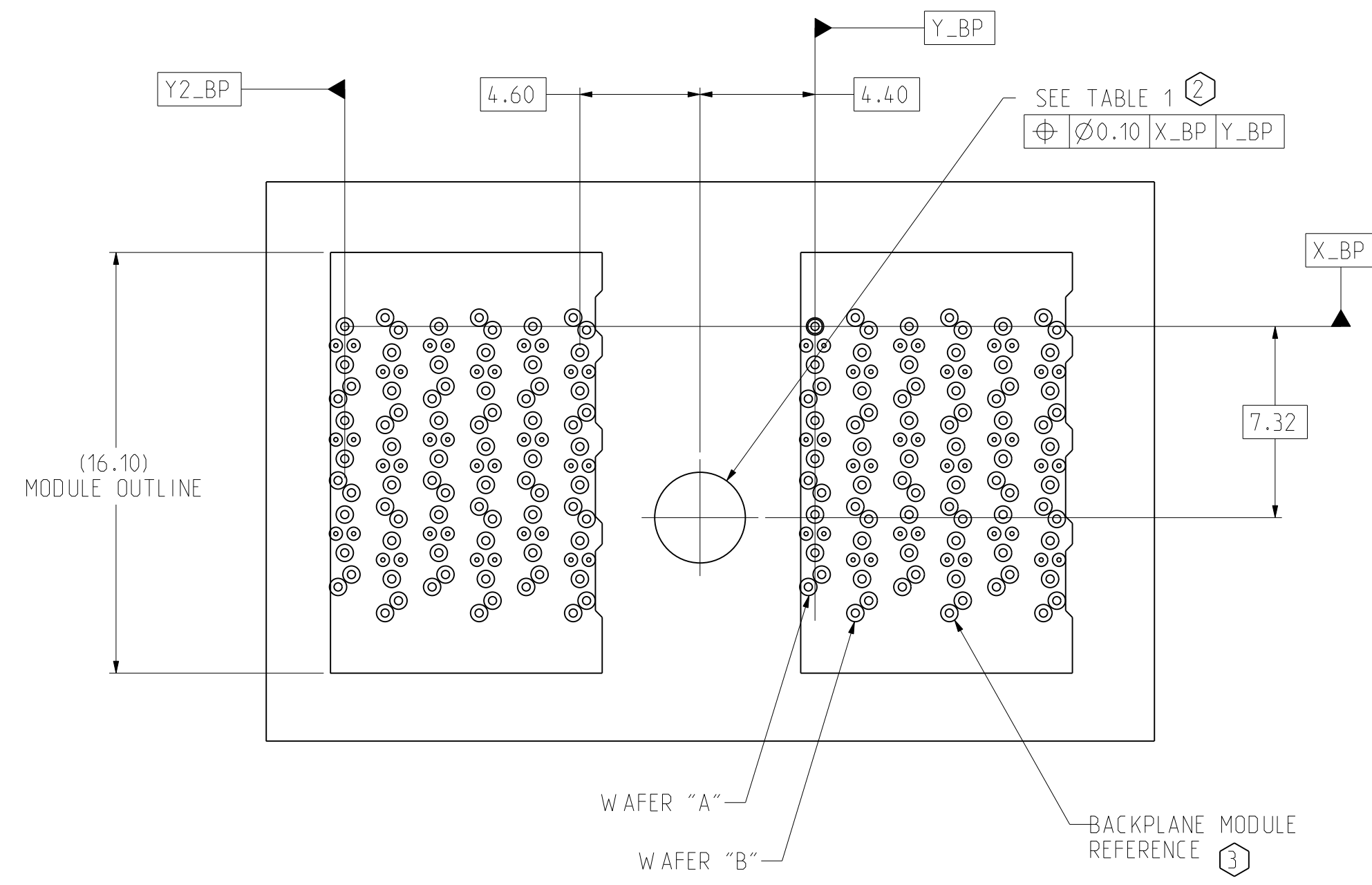
4

3

DRW NO. C-914-3000-000 SH 4 REV E

ZONE	REV	SCR NUMBER	DESCRIPTION	BY	DATE	APPROVED
			SEE SHEET 1			

3 PAIR CONFIGURATION HD2 W/O EXTRA GROUND



TOLERANCES	DESIGN	05/26/2010	T.D.O
0.0	± 0.25	DRAWN	07/15/2010
0.00	± 0.13	CHK	07/15/2010
0.000	$\pm -$	APVD	07/15/2010
ANGLES	$\pm 3^\circ$		

Amphenol TCS
 A Division of Amphenol Corporation
 200 Innovative Way, Nashua, NH 03082 603.879.3000

TITLE
 STANDALONE GUIDE PIN $\varnothing 3.68$ mm
 Xcete HD & HD PLUS 3 PAIR BACKPLANE

UNLESS OTHERWISE SPECIFIED DIMENSIONS ARE IN MM. DECIMAL MARKER IS A PERIOD

INTERPRET PER ASME Y14.5M
 CODE IDENT 314.13

CUSTOMER USE DRAWING

PART NO.	914-3000-00A	REV	N/A
DRAWING NO.	C-914-3000-000	REV	E
ASSEM	C914-3000-000	SCALE	1.5
DRAWING	C914-3000-000	SCALE	A.B
SIZE	D	SCALE	4/1
		SHEET	4 OF 4

DRW NO. C-914-3000-000

SH 4 REV E

8

7

6

5

4

3

2

1