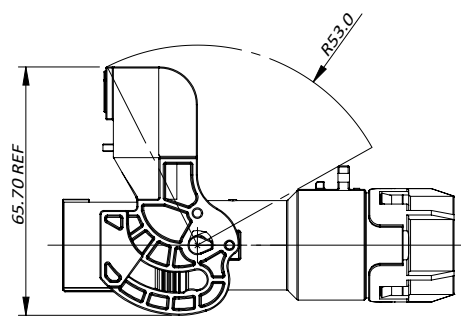
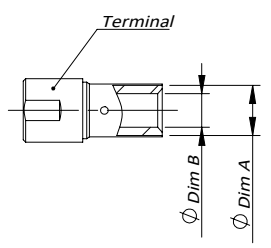
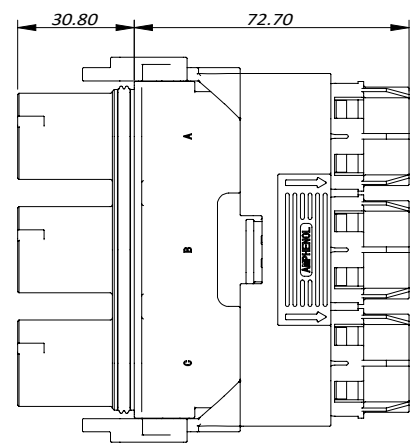
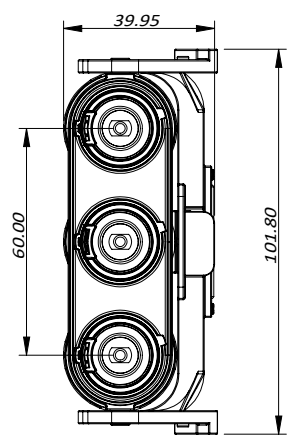
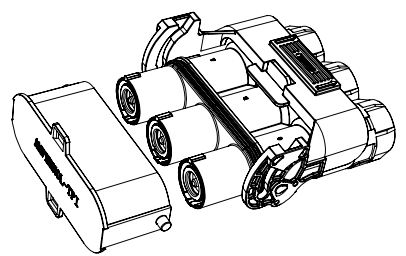


THIS DRAWING IS SUPPLIED FOR INFORMATION ONLY. DESIGN FEATURES, SPECIFICATIONS AND PERFORMANCE DATA SHOWN HEREON ARE THE PROPERTY OF THE AMPHENOL CORPORATION. NO RIGHTS OF REPRODUCTION ARE IMPLIED. ALL DIMENSIONS ARE SUBJECT TO NORMAL MANUFACTURING VARIATIONS.

CUSTOMER DRAWING



REVISIONS					
REV#	ECN#	REVISION ACTION	REV.BY:	APPR.BY:	DATE
A	--	INITIAL RELEASE	JX	JL	03/09/2020
B	--	Add Package specification P/N And Add Dust Cap Protection Cap	Star	JL	03/04/2021
C	--	Change the temperature of technical points	Star	JL	01/25/2022
D	--	Change operating temperature, voltage	JS	JL	08/09/2022
E	--	Change specification parameters	Hogan	JL	03/21/2023

订购信息 Ordering Information

PL183 X - 30 1 - 70 - 2 -5

Key and Color "X", Orange "Y", Black	HVIL "0", NO HVIL "1", With HVIL	Cable Size "70"=70mm ² "50"=50mm ²	Cable Type: "-5", Huber+Suhner
---------------------------------------------------	-----------------------------------------------	-----------------------------------------------------------------------	------------------------------------------

规格参数(Spec.):

- 工作温度 Operating temperature : -40°C ~ +125°C. △ D
- 带高压互锁 Electrical interlock (HVIL).
- 额定电流 Current rating:
Power: 50mm², 200A; 70mm², 250A; HVIL: 5A.
- 额定电压 Operating voltage:
Power: 1500 VDC; Signal: 60 VDC. △ D
- 耐压 Dielectric withstanding voltage:
 - A. 与插座对插后, Pin与铁壳之间
When mated, between pin and metal shell: 8000 VDC. △ E
 - B. 与插座对插后, Pin与HVIL之间
When mated, between pin and HVIL: 8000 VDC. △ E
 - C. 与插座对插后, HVIL与铁壳之间
When mated, between HVIL and metal shell: 500 VDC.
 - D. 与插座对插前, 两个HVIL端子之间耐压
Before mating, between two HVIL terminals: 500 VDC.
- 防护等级 Protection class: Mated-IP6k9k & IP67, unmated-IP2X.
- 电磁屏蔽 360° full Shielding.
- 机械寿命 Mating cycle: 100 Min.
- 带CPA的摇杆系统 Latch system with CPA.
- 绝缘材料满足UL94 V-0 The insulation material meets the requirements of UL94V-0. △ E
- 镀灰锌/锌镍合金, 满足500H中性盐雾实验 Gray Zinc/Nickel(ZnNi) Plating. Rated at 500hours salt spray.
- 产品满足RoHS和REACH要求. Parts must be RoHS and reach compliant. ▽
- 绝缘体为140°RTI材料. The insulators are 140° RTI material. △ D

Standard Part List:

Model No.	H+S Part No.	Dia. Primary Insulation(mm)	Dia. of Screen max. (mm)	Overall-Dia. Nominal(mm)	Outside-Dia. of terminal(mm): "A"	Inside-Dia. of terminal(mm): "B"
PL183(X)-30X-70-2-5	84100298	13.7±0.3	14.6	17.0±0.3	16.7±0.3	12.2±0.3
PL183(X)-30X-50-2-5	84096257	11.5±0.3	12.6	14.9±0.3	14.0±0.3	10.0±0.3

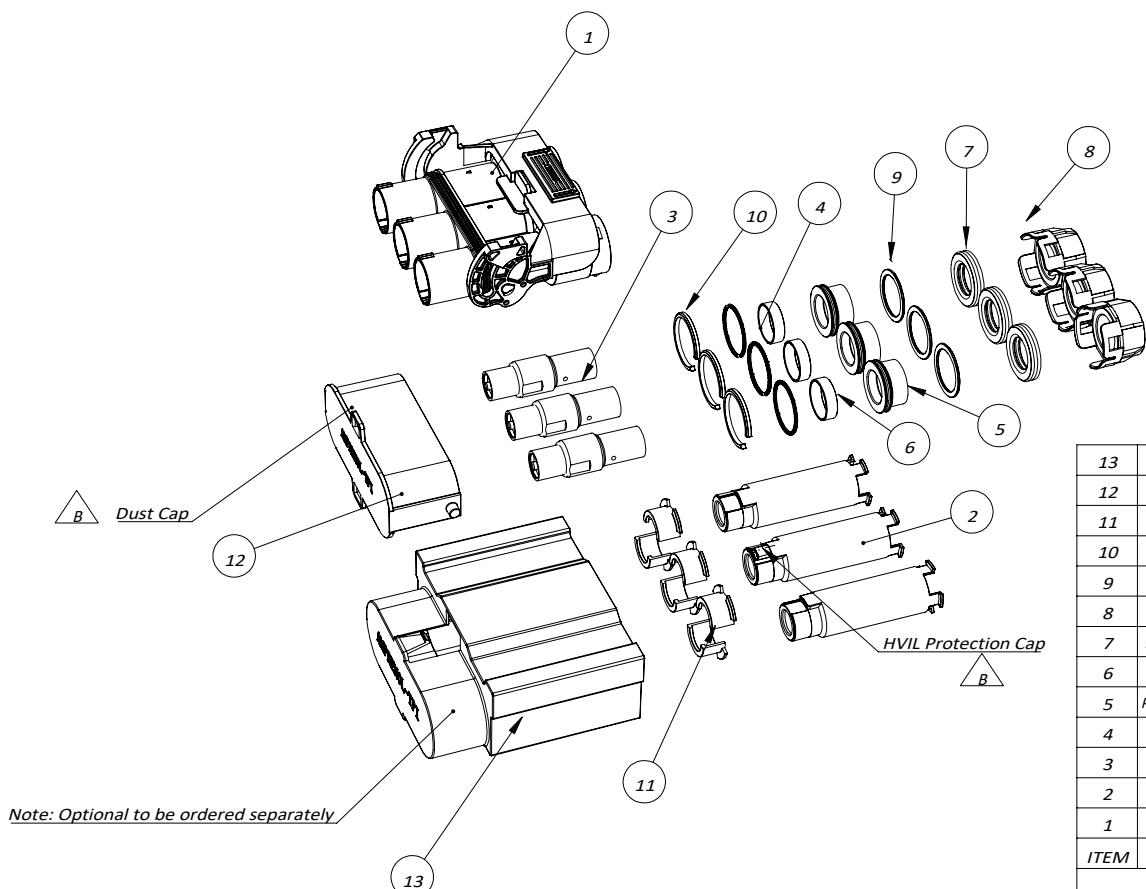
Amphenol Technical Products International Asia.

第三角投影 THIRD ANGLE PROJECTION	页面 SHEET	幅面 SIZE	版次 REV.	比例 SCALE	PART NAME: PL300 G2 3POS Straight Plug
	1 OF 2	A4	E		DWG NO: PL183X-30X-XX-2-5
签名 SIGNATURE: Hogan 日期 DATE: 03/21/2023					CUST PART # CUST REV.
制图 DRAWN: Hogan 审核 CHECKED: 批准 APPROVAL:					
UNLESS OTHERWISE SPECIFIED 1) All dimensions are in metric(mm). 2) Tolerances are as follows: 1.PL DEC ± 1.00 2.PL DEC ± 0.50 3.PL DEC ± 0.20					Angles ±1°

Key Characteristics Critical 关键特性
 Amphenol for Latest Definition Significant 重要特性

THIS DRAWING IS SUPPLIED FOR INFORMATION ONLY. DESIGN FEATURES, SPECIFICATIONS AND PERFORMANCE DATA SHOWN HEREON ARE THE PROPERTY OF THE AMPHENOL CORPORATION. NO RIGHTS OF REPRODUCTION ARE IMPLIED. ALL DIMENSIONS ARE SUBJECT TO NORMAL MANUFACTURING VARIATIONS.

1	2	3	4	5	6	7	8			
型号 Model	Kit Package P/N	Bulk Package P/N			REVISIONS					
PL183X-300-50-2-5	AC-HA011985	AC-HA011985-2			REV#	ECN#	REVISION ACTION	REV.BY:	APPR.BY:	DATE
PL183Y-300-50-2-5	AC-HA011986	AC-HA011986-2			A	--	INITIAL RELEASE	JX	JL	03/09/2020
PL183X-300-70-2-5	AC-HA011987	AC-HA011987-2			B	--	Add Package specification P/N And Add Dust Cap Protection Cap	Star	JL	03/04/2021
PL183Y-300-70-2-5	AC-HA011988	AC-HA011988-2			C	--	Change the temperature of technical points	Star	JL	01/25/2022
PL183X-301-50-2-5	AC-HA011989	AC-HA011989-2			D	--	Change operating temperature, voltage	JS	JL	08/09/2022
PL183Y-301-50-2-5	AC-HA011990	AC-HA011990-2			E	--	Change specification parameters	Hogan	JL	03/21/2023
PL183X-301-70-2-5	AC-HA011991	AC-HA011991-2								
PL183Y-301-70-2-5	AC-HA011992	AC-HA011992-2								



Note: Optional to be ordered separately

ITEM	DESCRIPTION	QTY	REMARK
13	PL300 G2 3 POS plug protection cap	1	Order P/N AC-CP001618
12	PL300 G2 Dust Cap for Plug	1	
11	PL300 G2 Lock Housing1	6	Different P/N are used according to different Cable sizes
10	PL300 G2 Lock Housing2	3	
9	PL300 G2 Metal Gasket	3	Different P/N are used according to different Cable sizes
8	PL300 G2 Tail Cap for straight plug	3	Different P/N are used according to different Cable sizes
7	PL300 G2 cable sealing for straight plug	3	Different P/N are used according to different Cable sizes
6	PL300 G2 Inner Copper Ring	3	Different P/N are used according to different Cable sizes
5	PL300 G2 Outer Copper Ring for Straight Plug	3	
4	PL300 G2 Coil Spring for Straight Plug	3	Different P/N are used according to different Cable sizes
3	PL300 G2 Terminal Assy	3	
2	PL300 G2 Insulation Sleeve Assy	3	
1	PL300 G2 Shell Plug Assy	1	Different P/N are used according to different Cable sizes
ITEM	DESCRIPTION	QTY	REMARK

MATERIALS LIST

Amphenol Technical Products International Asia.

<p>第三角投影 THIRD ANGLE PROJECTION</p>	<p>页面 SHEET</p> <p>2 OF 2</p>	<p>幅面 SIZE</p> <p>A4</p>	<p>版次 REV.</p> <p>E</p>	<p>比例 SCALE</p>	<p>PART NAME: PL300 G2 3POS Straight Plug</p>	
<p>签名 SIGNATURE</p> <p>制图 DRAWN</p> <p>审核 CHECKED</p> <p>批准 APPROVAL</p>	<p>日期 DATE</p> <p>Hogan</p>	<p>UNLESS OTHERWISE SPECIFIED 1) All dimensions are in metric(mm). 2) Tolerances are as follows: 1.PL DEC ± 1.00 2.PL DEC ± 0.50 3.PL DEC ± 0.20</p>			<p>DWG NO: PL183X-30X-XX-2-5</p>	
				<p>Angles ±1°</p>	<p>CUST PART #</p>	<p>CUST REV.</p>