



► RoHS

Quick Reference

Search by part #

Check distributor part inventory

Products

Browse Heat sinks

- By Device - 6

- By Product Line - 6

- Attachment Methods 6

- Interface Materials - 6

- Accessories - 6

Useful Links

- [Building a part #](#)
- [Catalog Request](#)
- [Directions](#)
- [Find Distributor](#)
- [Find Sales Associate](#)
- [How to order?](#)
- [MSDS Safety Sheets](#)
- [Part # Cross Ref](#)
- [Quote Request](#)
- [RoHS Initiative](#)
- [Sample Request](#)

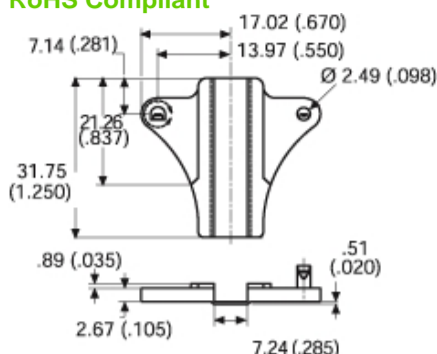
Card Ejectors

Snap - on Ejectors/ Pullers

- ? Saves time - no roll pin required
- ? Excellent for retrofit applications
- ? Material is nylon per ASTM D4066 - 82PA162F11
- ? Cost no more than conventional ejector/puller
- ? Rated at 222.5N (50 lbs.) / ejector force per pair
- ? One piece - no assembly required
- ? May be heat stamped

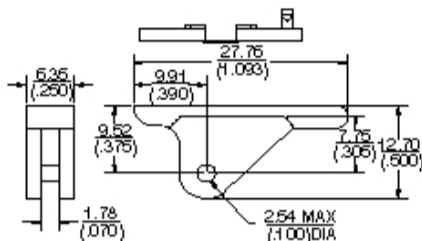
Part Number: 5021N

RoHS Compliant



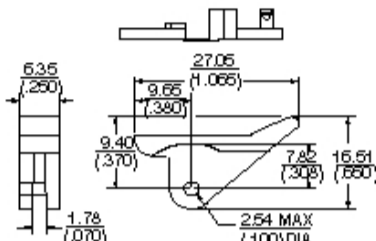
Part Number: 5022N

RoHS Compliant



Part Number: 5023N

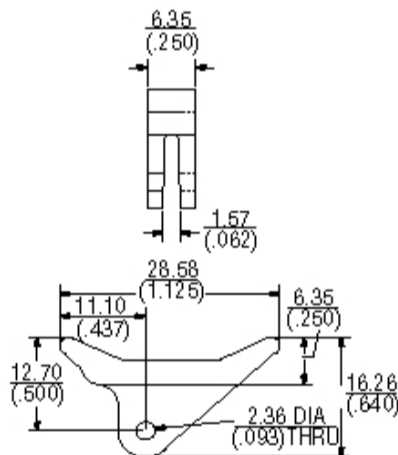
RoHS Compliant



Standard Ejectors/Pullers

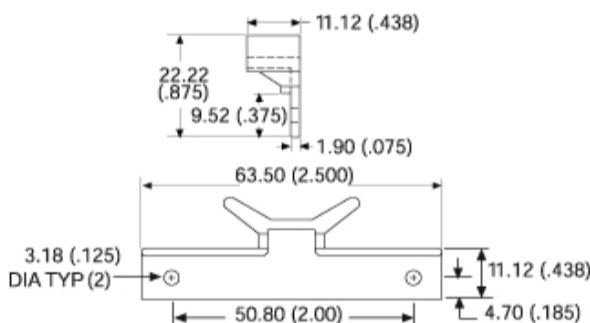
- ? Lever action releases card from its connector safely and quickly
- ? Cards, their components and connectors are less frequently damaged when extracting PC boards
- ? No special extraction tools are needed for board removal
- ? Material is nylon per ASTM D4066 - 82 PA 120B4413F24, UL 94 V - O rated (natural color)
- ? Roll pins are provided (NAS 561 - P3- 4)

5003N Slim Face/Grip



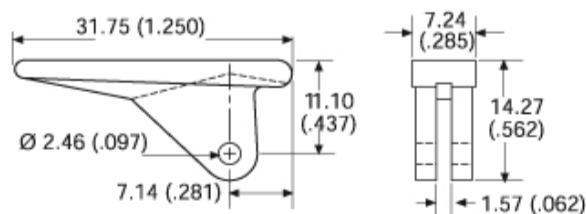
5005 - 09NG Puller (roll pins not provided)

RoHS Compliant Product Change Notice



5005 - 08NG Puller

RoHS Compliant Product Change Notice



5005 - 25N Combination Ejector/Puller

